



US00D927044S

(12) **United States Design Patent**
Ng et al.

(10) **Patent No.:** **US D927,044 S**

(45) **Date of Patent:** **** Aug. 3, 2021**

(54) **LAMP**

(71) Applicant: **Koncept Technologies, Inc.**, Monrovia, CA (US)

(72) Inventors: **Kenneth Ng**, Monrovia, CA (US);
Edmund Ng, Monrovia, CA (US)

(73) Assignee: **KONCEPT TECHNOLOGIES, INC.**, Monrovia, CA (US)

(**) Term: **15 Years**

(21) Appl. No.: **29/730,020**

(22) Filed: **Mar. 31, 2020**

(51) **LOC (13) Cl.** **26-03**

(52) **U.S. Cl.**
USPC **D26/107**

(58) **Field of Classification Search**
USPC D26/61, 63, 64, 65, 60, 106, 107, 108
CPC F21V 17/02; F21V 21/28; F21V 21/26;
F21V 21/06; F21V 21/00; F21W 2131/30;
F21W 2131/10; F21S 8/024; F21S 6/003;
F21S 8/003; F21S 8/00; F21F 6/00
See application file for complete search history.

(56) **References Cited**

U.S. PATENT DOCUMENTS

3,226,073 A * 12/1965 Jacobsen F21V 21/26
248/586
4,770,384 A * 9/1988 Kuwazima F21V 21/26
248/281.11

D597,239 S * 7/2009 Hodgson D26/65
D624,226 S * 9/2010 Huang D26/65
D644,368 S * 8/2011 Fu D26/65
D753,860 S * 4/2016 Chen D26/60
D812,797 S * 3/2018 Meda D26/63
D834,735 S * 11/2018 Ng D26/65
D883,551 S * 5/2020 Waldmann D26/65

* cited by examiner

Primary Examiner — Brian N. Vinson

(74) *Attorney, Agent, or Firm* — Steins & Associates, P.C.

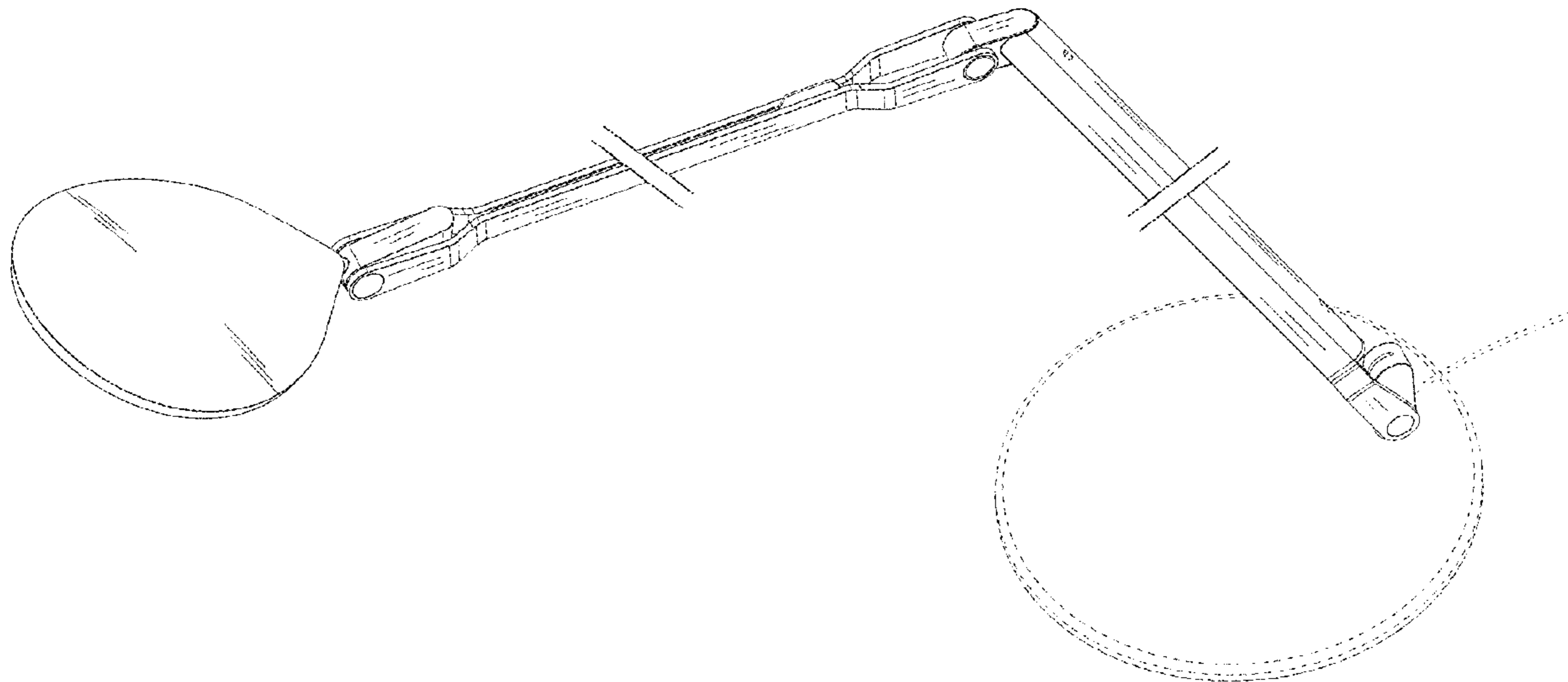
(57) **CLAIM**

What is claimed is the ornamental design for a lamp, as shown.

DESCRIPTION

FIG. 1 is a left perspective view of the lamp;
FIG. 2 is a front view of the lamp;
FIG. 3 is a back view of the lamp;
FIG. 4 is a right side view of the lamp;
FIG. 5 is a left side view of the lamp;
FIG. 6 is a top view of the lamp;
FIG. 7 is a bottom view of the lamp;
FIG. 8 is a right perspective view of the lamp; and,
FIG. 9 is a right perspective view of the lamp.
The portions of the lamp shown in broken lines form no part of the claimed design. The lamp is shown with symbolic breaks in its length, as appropriate. The appearance of any portion of the article between the break lines form no part of the claimed design.

1 Claim, 9 Drawing Sheets



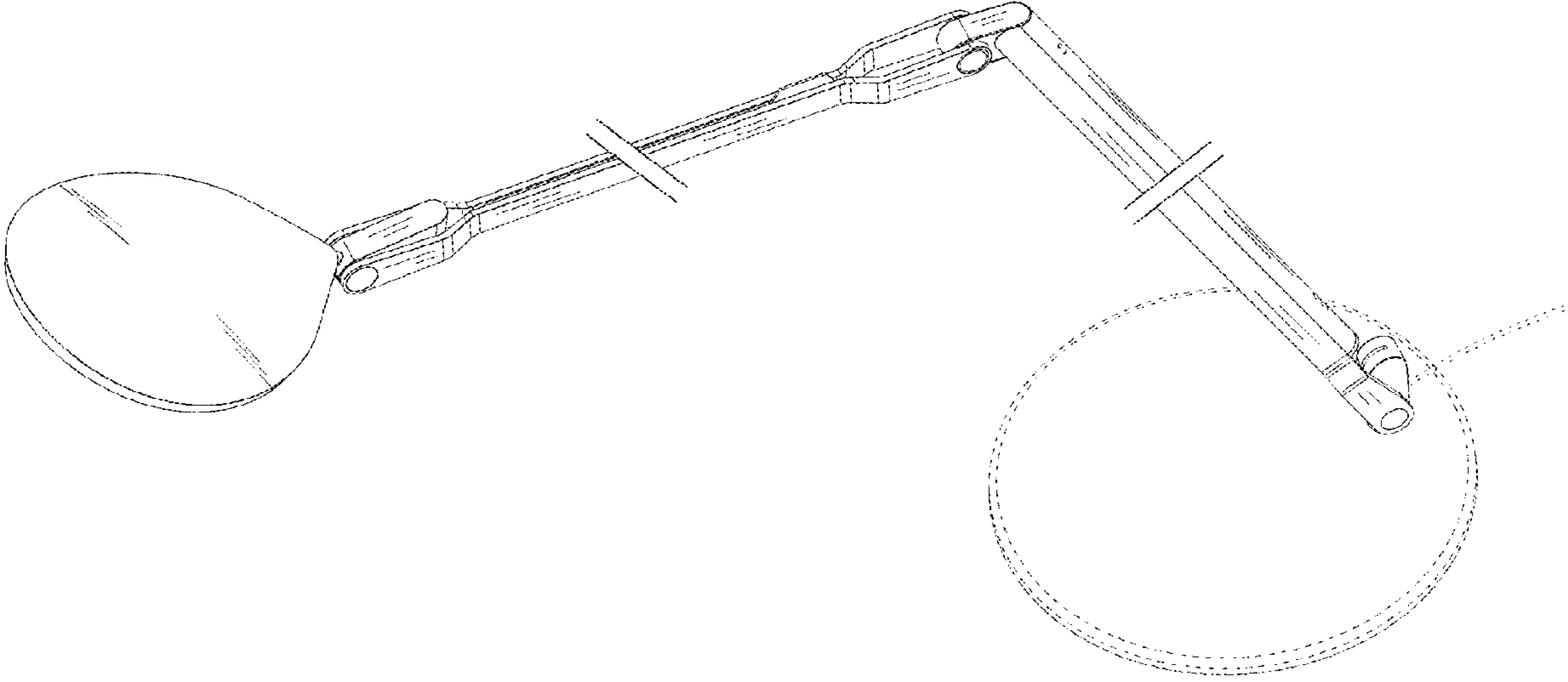


FIG. 1

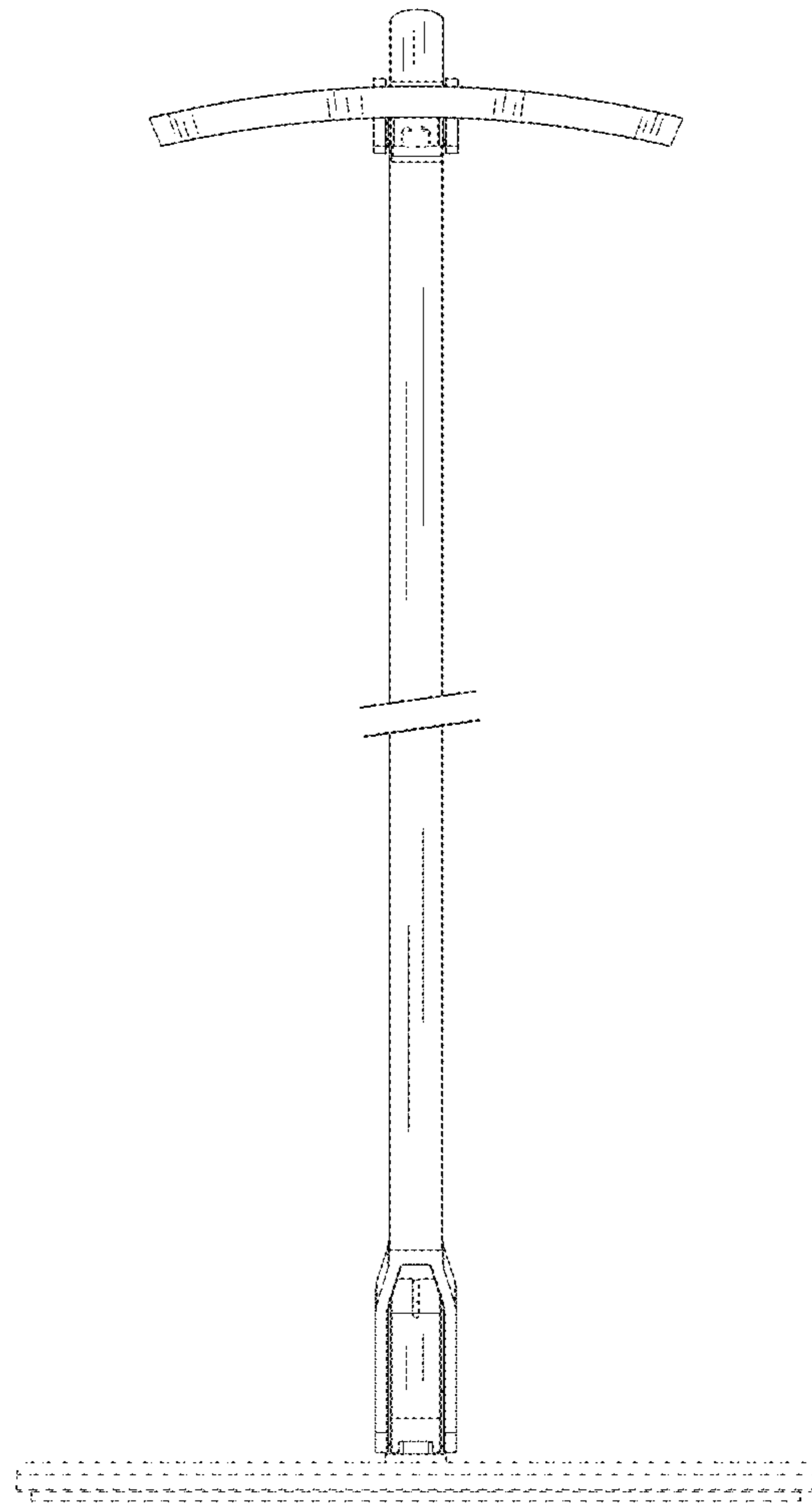


FIG. 2

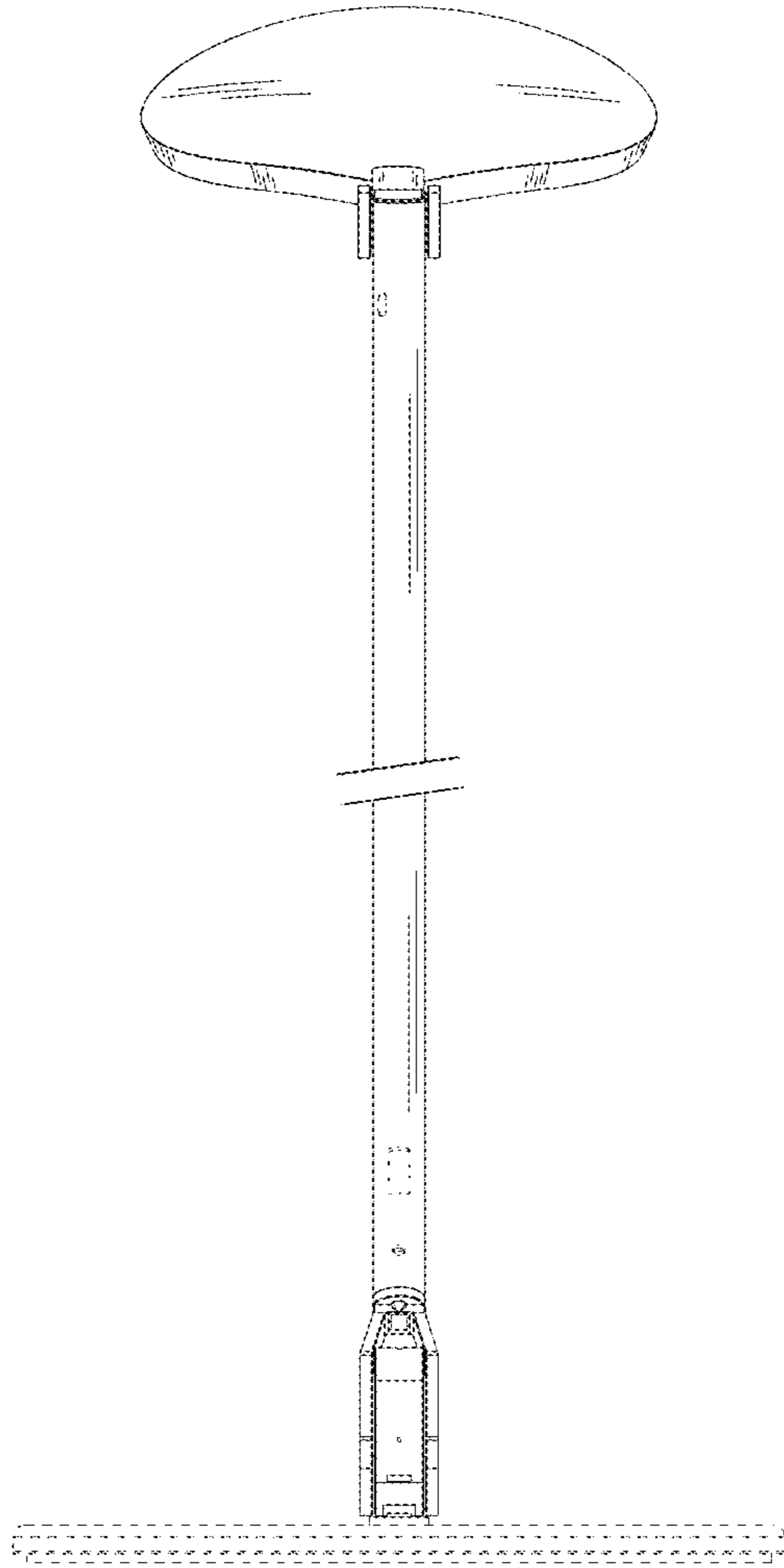


FIG. 3

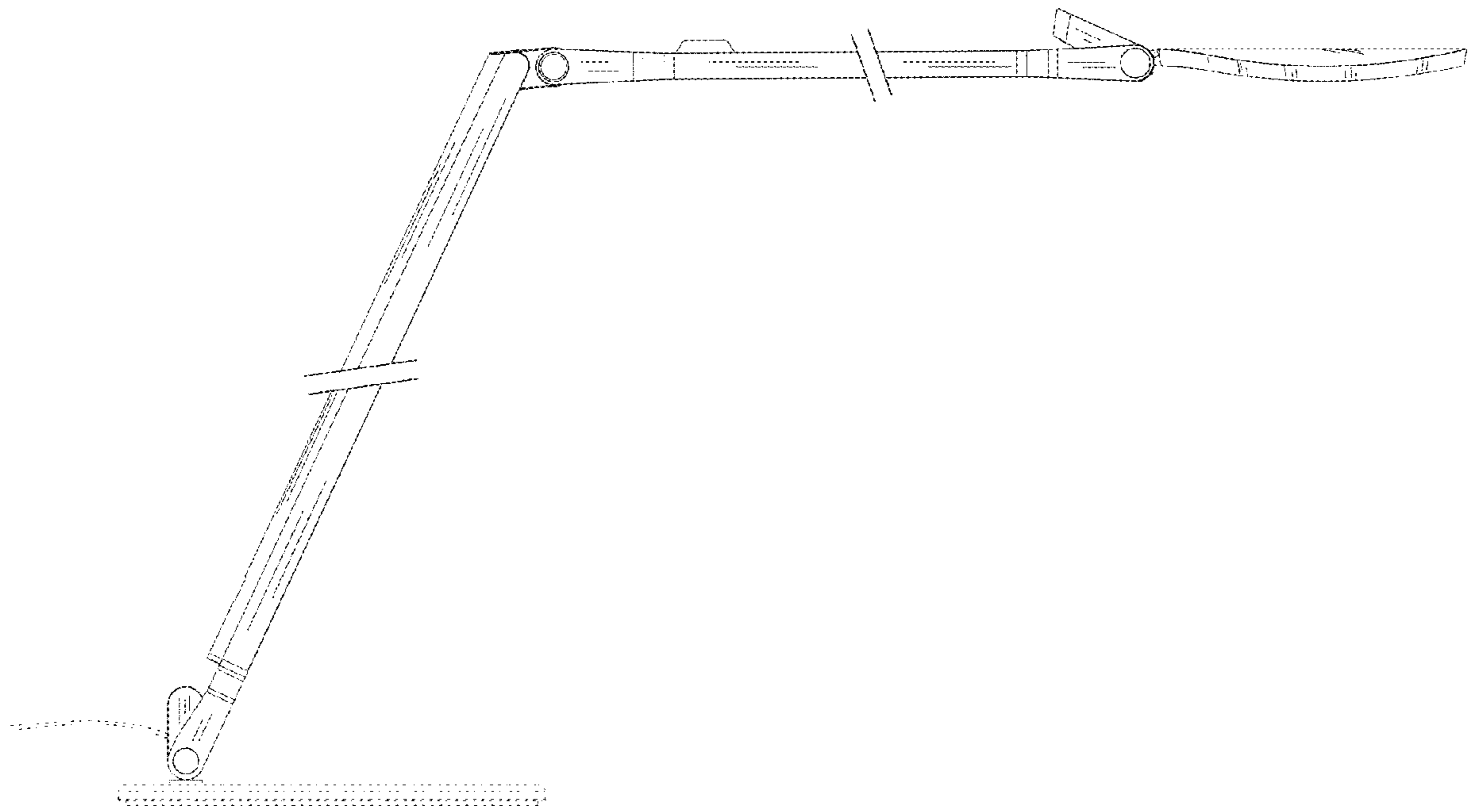


FIG. 4

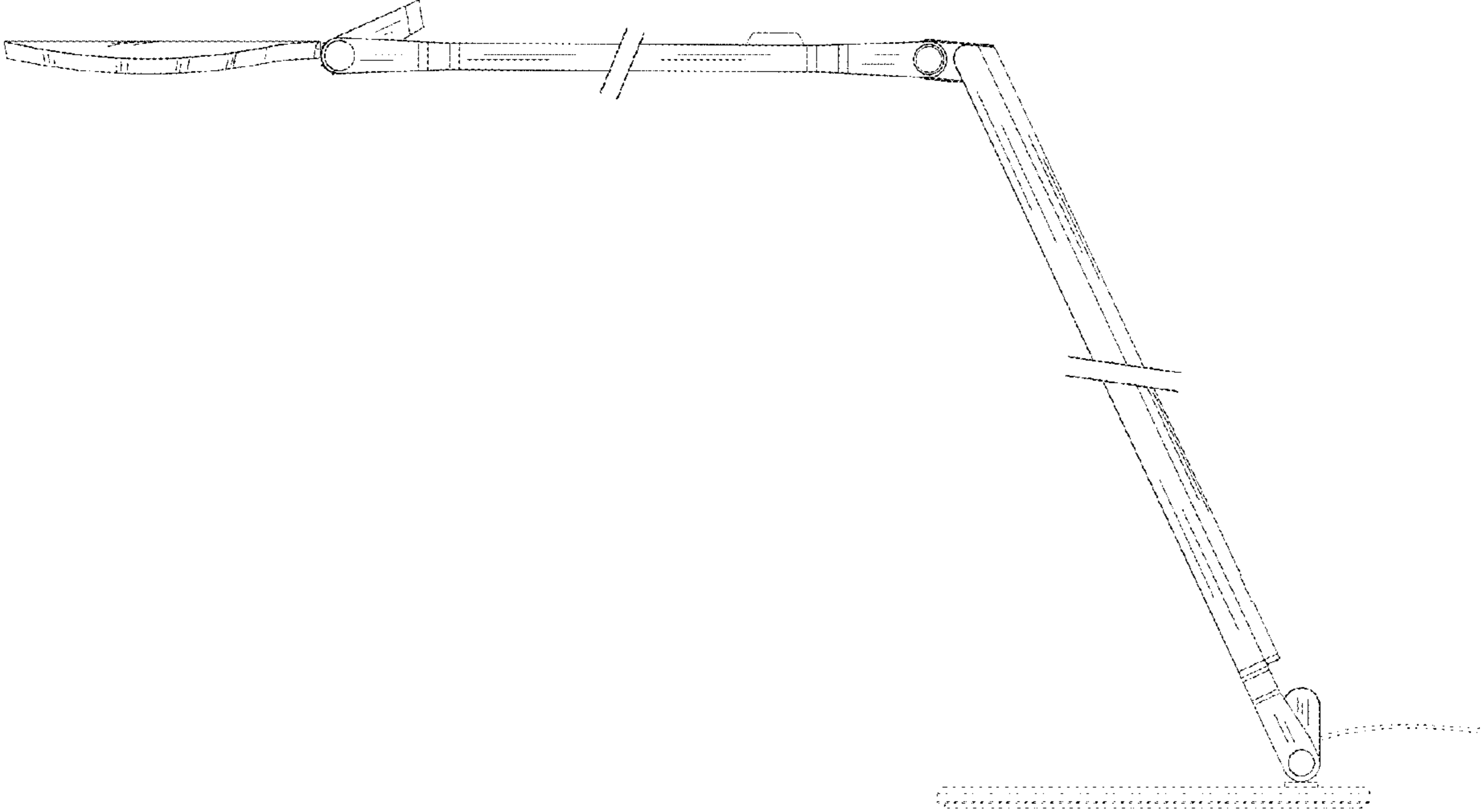


FIG. 5

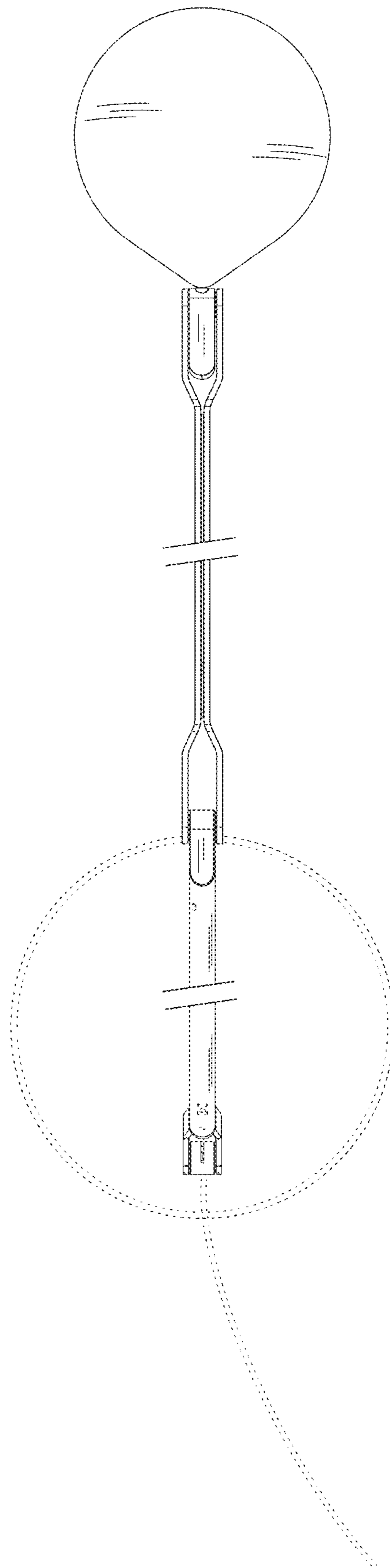


FIG. 6

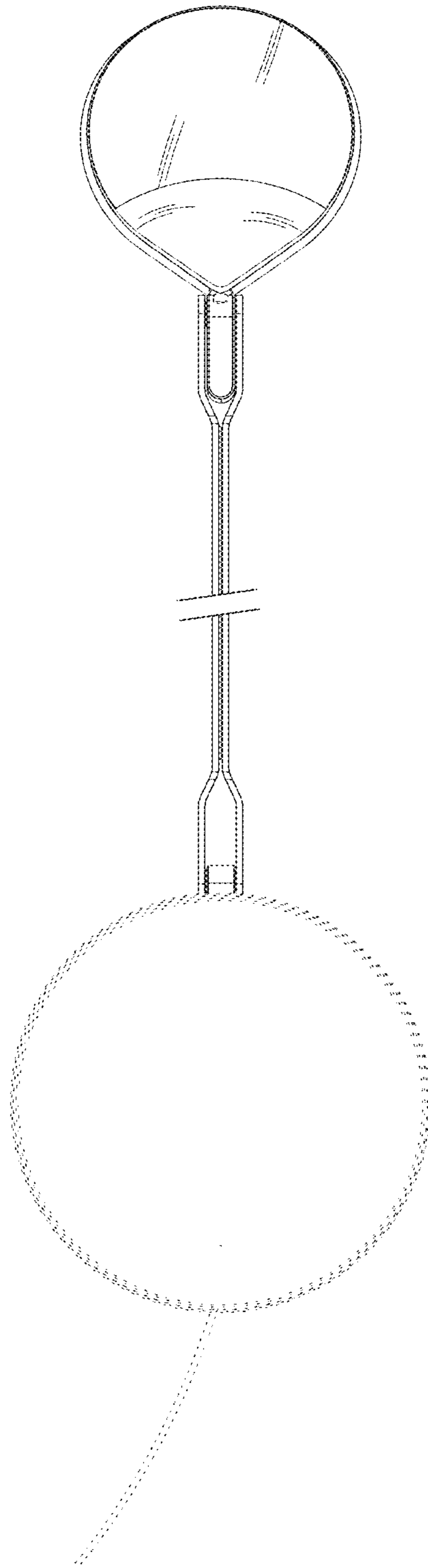


FIG. 7

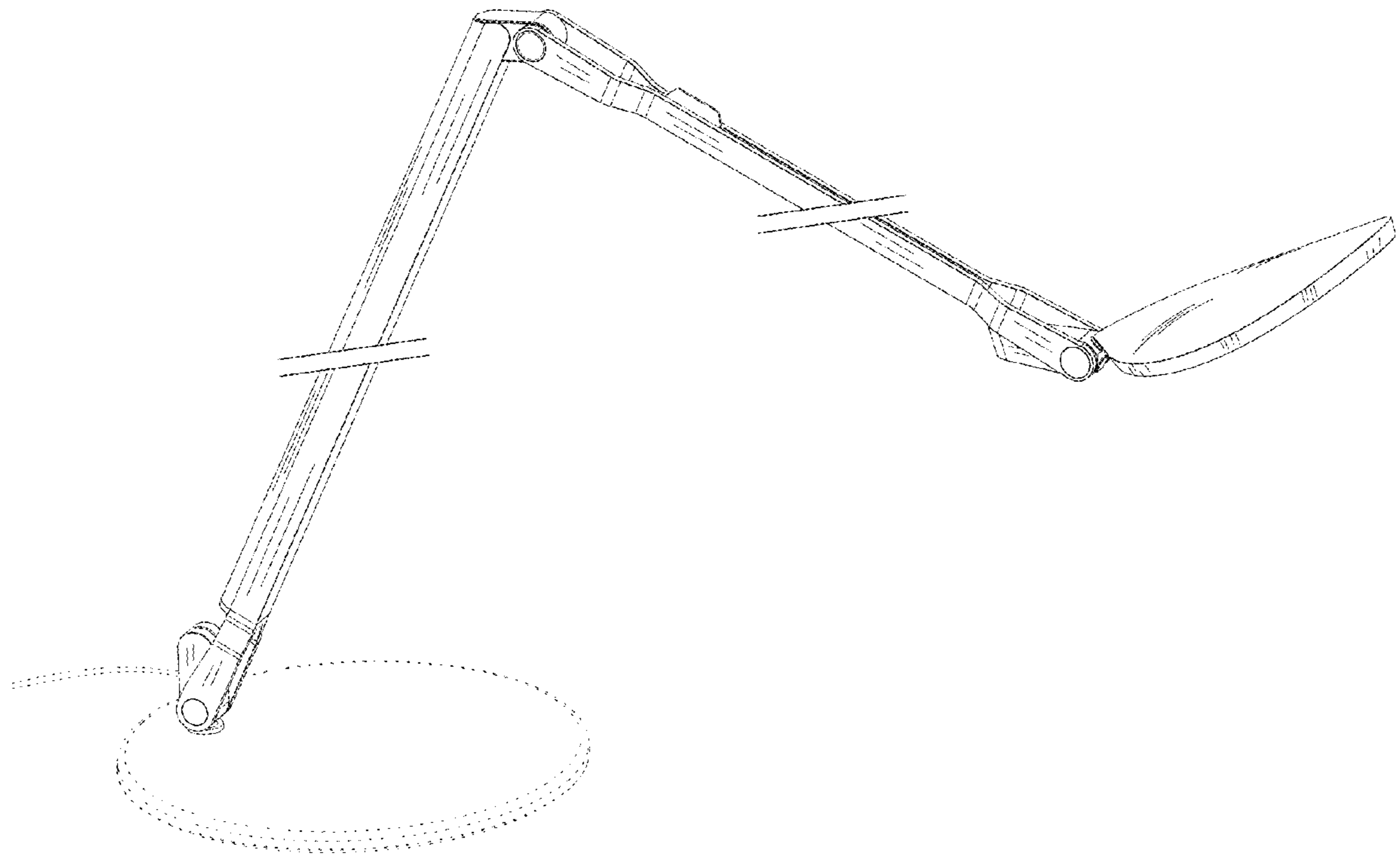


FIG. 8

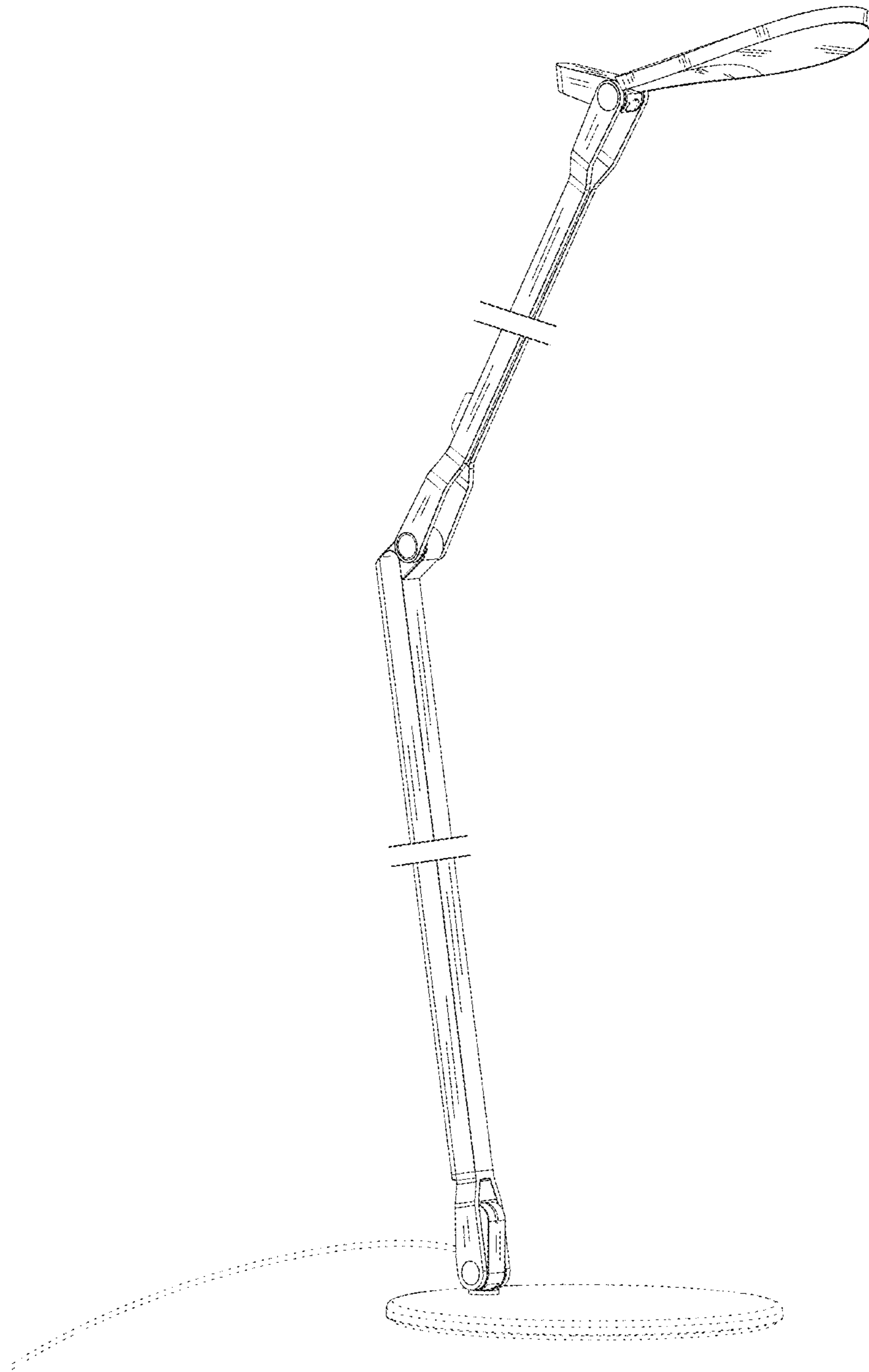


FIG. 9