



US00D927042S

(12) **United States Design Patent**
Liu

(10) **Patent No.:** **US D927,042 S**

(45) **Date of Patent:** **** Aug. 3, 2021**

(54) **SOLAR LIGHT**

(71) Applicant: **Guixiang Liu**, Ganzhou (CN)

(72) Inventor: **Guixiang Liu**, Ganzhou (CN)

(**) Term: **15 Years**

(21) Appl. No.: **29/774,625**

(22) Filed: **Mar. 18, 2021**

(51) **LOC (13) Cl.** **26-03**

(52) **U.S. Cl.**
USPC **D26/85; D26/67**

(58) **Field of Classification Search**
USPC D26/40, 41, 67-70, 72, 81, 82, 84, 85,
D26/86, 88, 90

CPC F21W 2111/02; F21W 2111/023; F21W
2131/109

See application file for complete search history.

(56) **References Cited**

U.S. PATENT DOCUMENTS

D102,553 S	*	12/1936	Gosling	D26/67
D117,084 S	*	10/1939	White	D26/67
D125,314 S	*	2/1941	Proulx	D26/67
D129,363 S	*	9/1941	Pracht	D26/78
D287,410 S	*	12/1986	Johansson	D26/40
D485,386 S	*	1/2004	Cheong	D26/67
D528,243 S	*	9/2006	Bucher	D26/67
D578,693 S	*	10/2008	Liu	D26/67

D625,874 S	*	10/2010	Sanoner	D26/67
D843,038 S	*	3/2019	Vyvey	D26/40
D863,655 S		10/2019	Huang		
D886,344 S		6/2020	Ho		

OTHER PUBLICATIONS

Lighttube Lantern from boxhill.com, visited Jun. 17, 2021. (Year: 2021).*

* cited by examiner

Primary Examiner — Clare E Heflin

(57) **CLAIM**

The ornamental design for a solar light, as shown and described.

DESCRIPTION

FIG. 1 is a perspective view of a solar light showing my new design;

FIG. 2 is another perspective view thereof;

FIG. 3 is a front elevational view thereof;

FIG. 4 is a rear elevational view thereof;

FIG. 5 is a left side elevational view thereof;

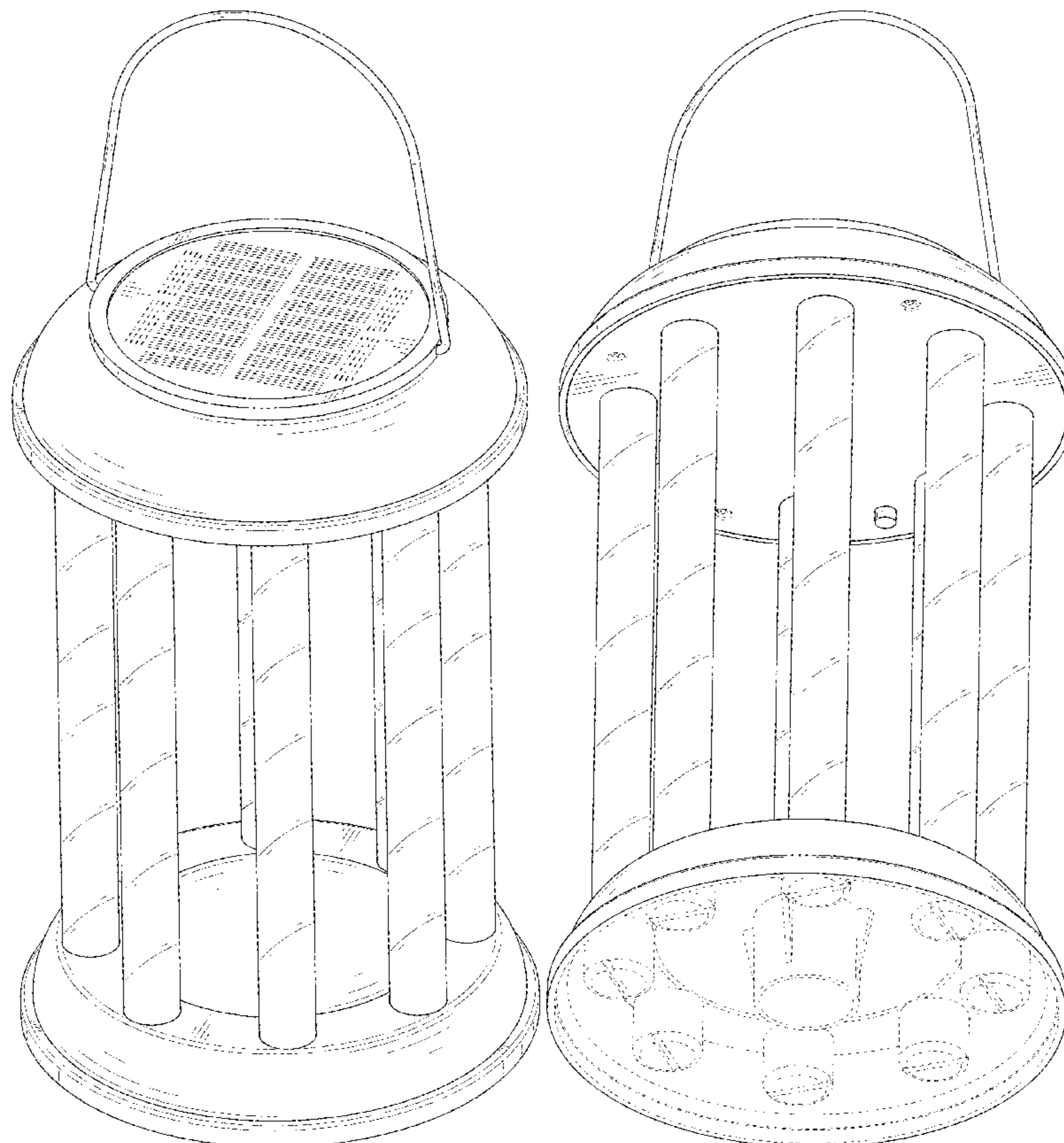
FIG. 6 is a right side elevational view thereof;

FIG. 7 is a top plan view thereof; and,

FIG. 8 is a bottom plan view thereof.

The broken lines in the drawings depict portions of the solar light that form no part of the claimed design.

1 Claim, 8 Drawing Sheets



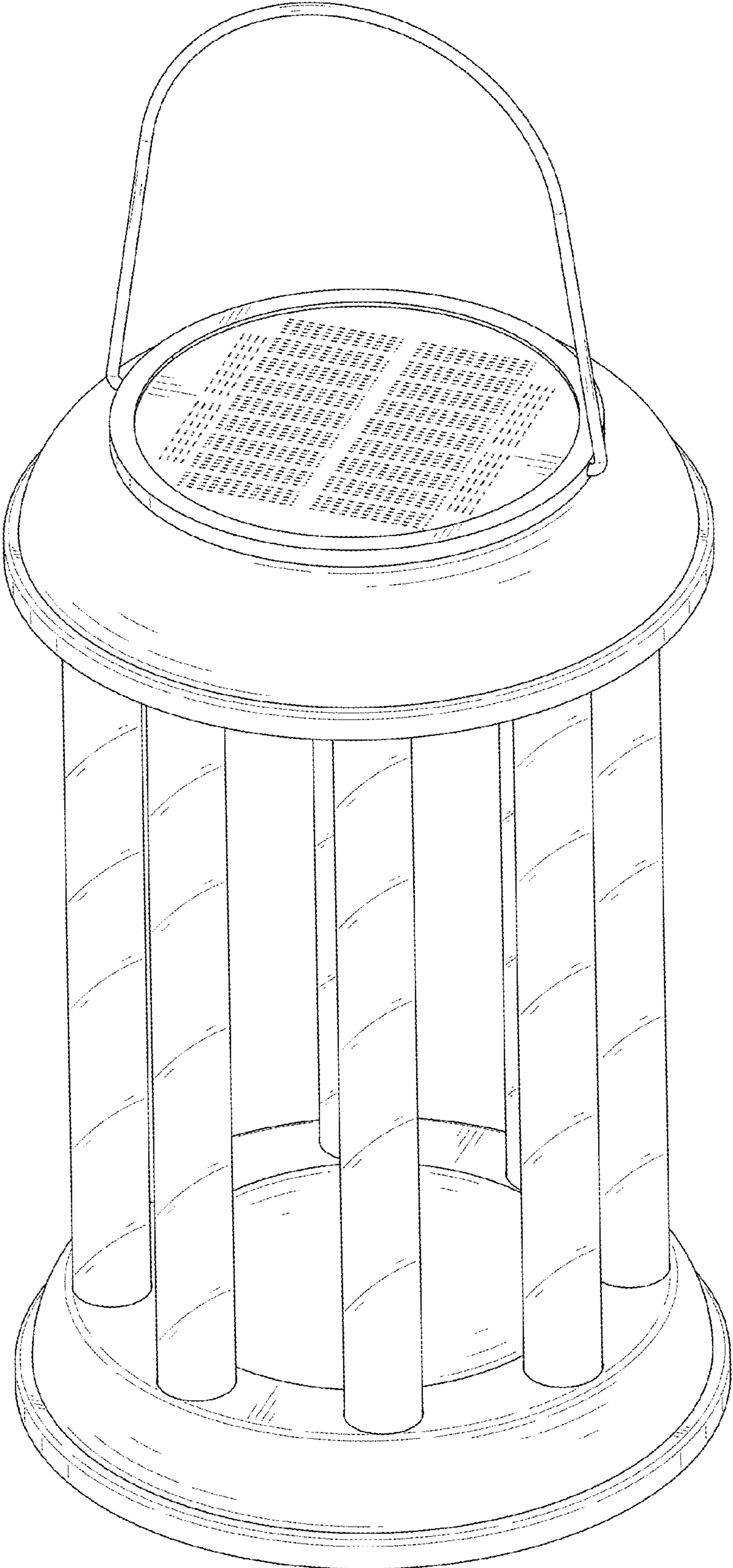


FIG. 1

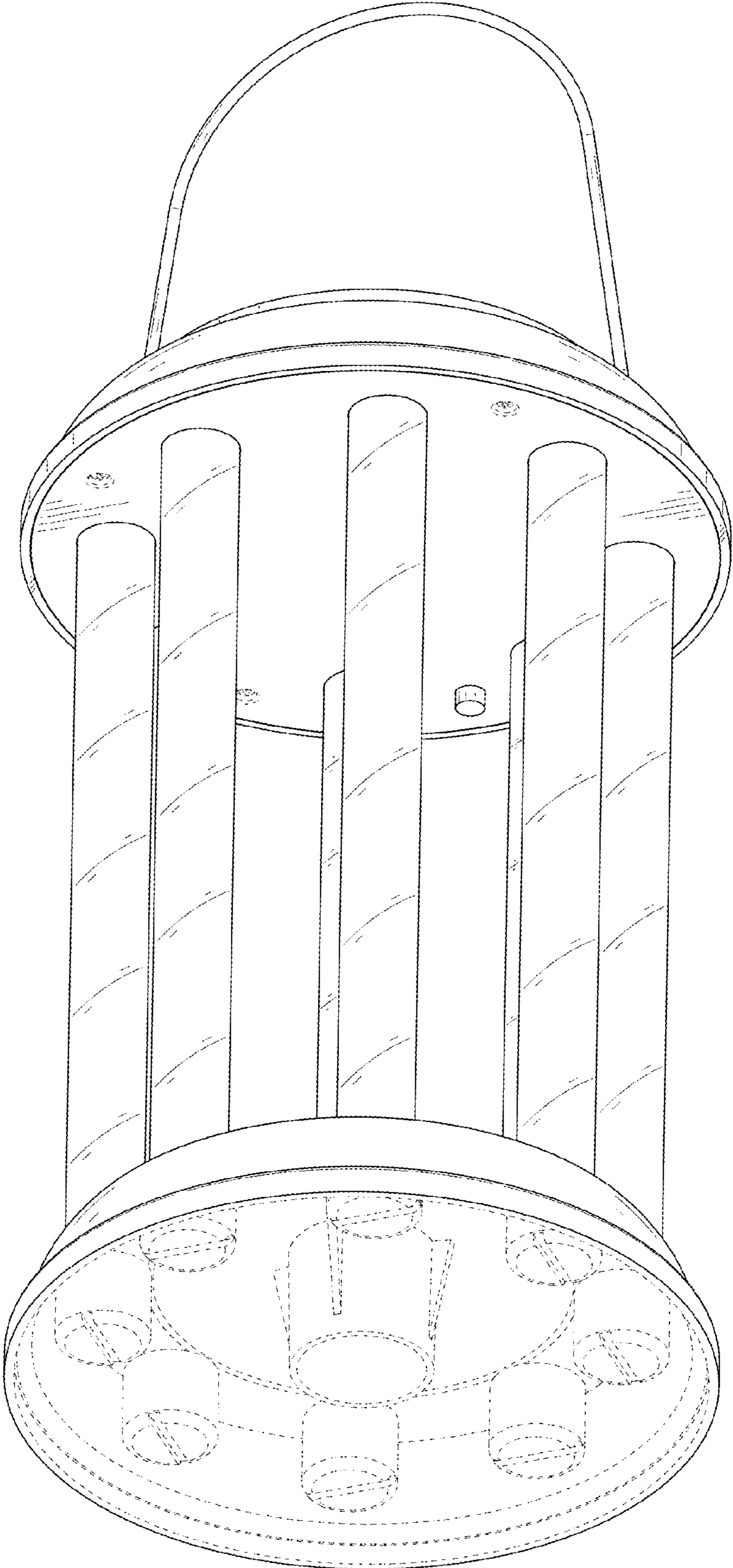


FIG. 2

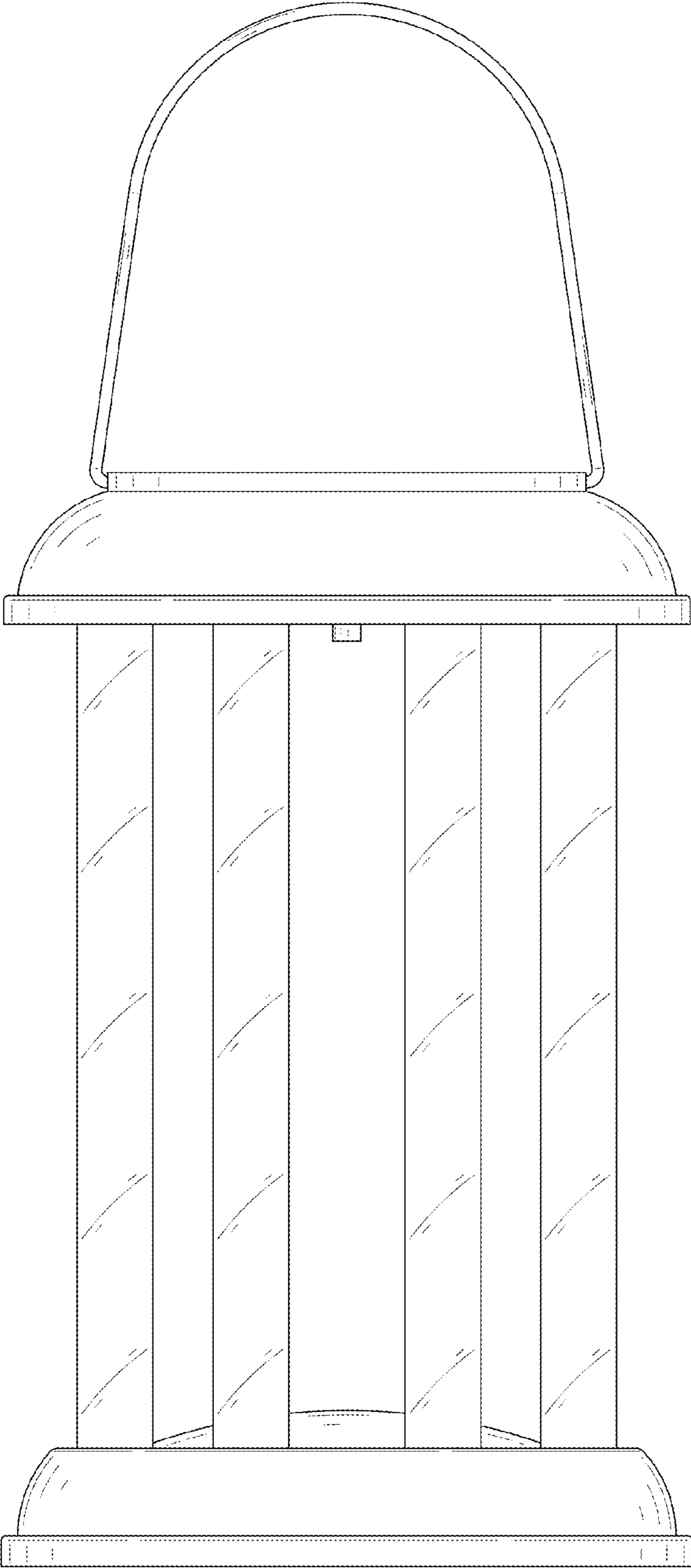


FIG. 3

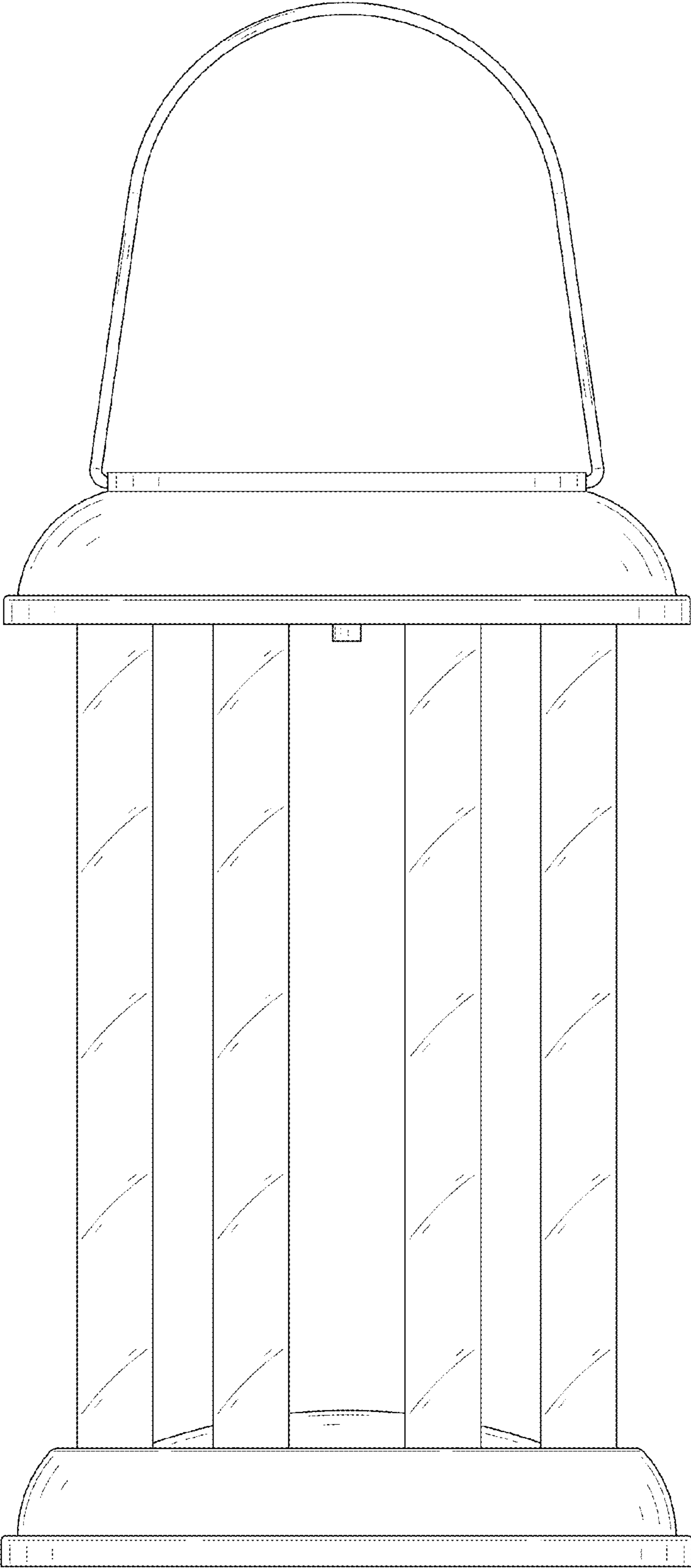


FIG. 4

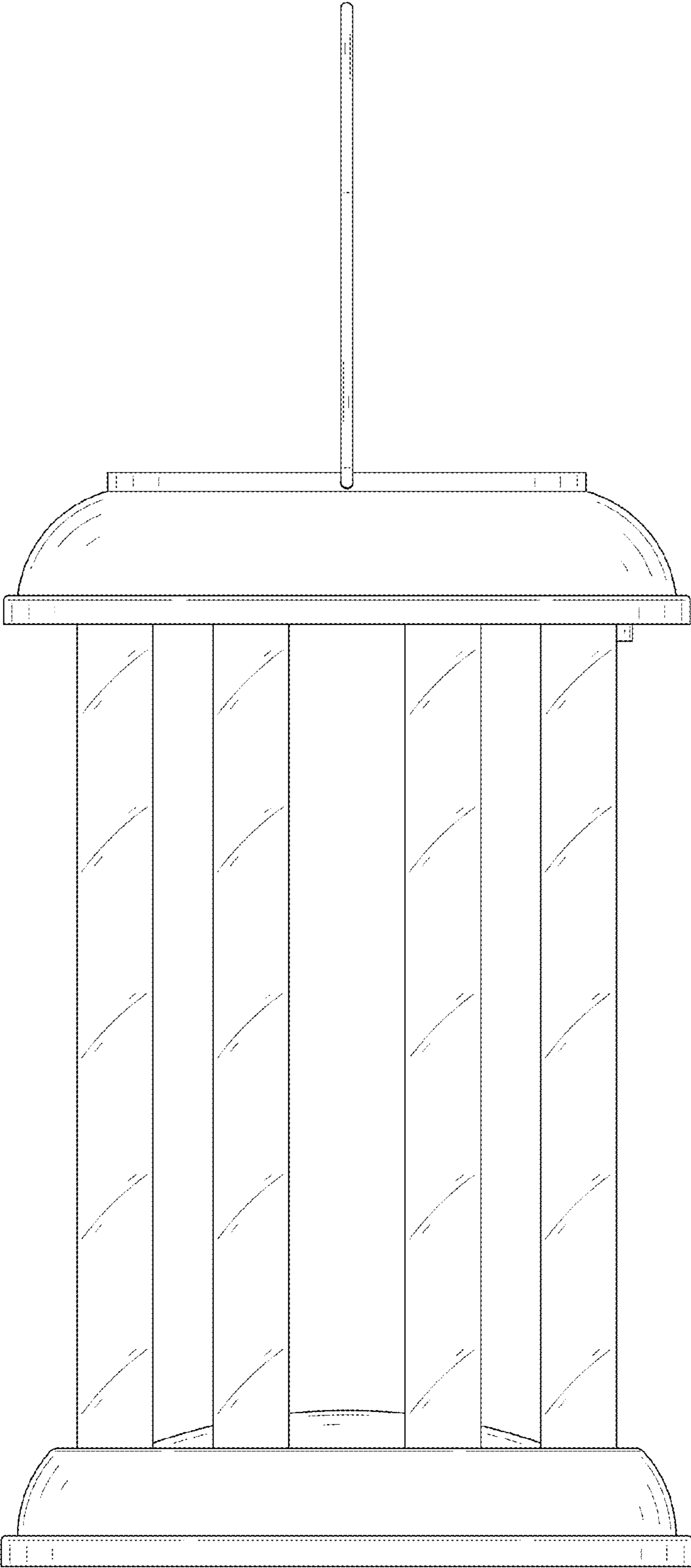


FIG. 5

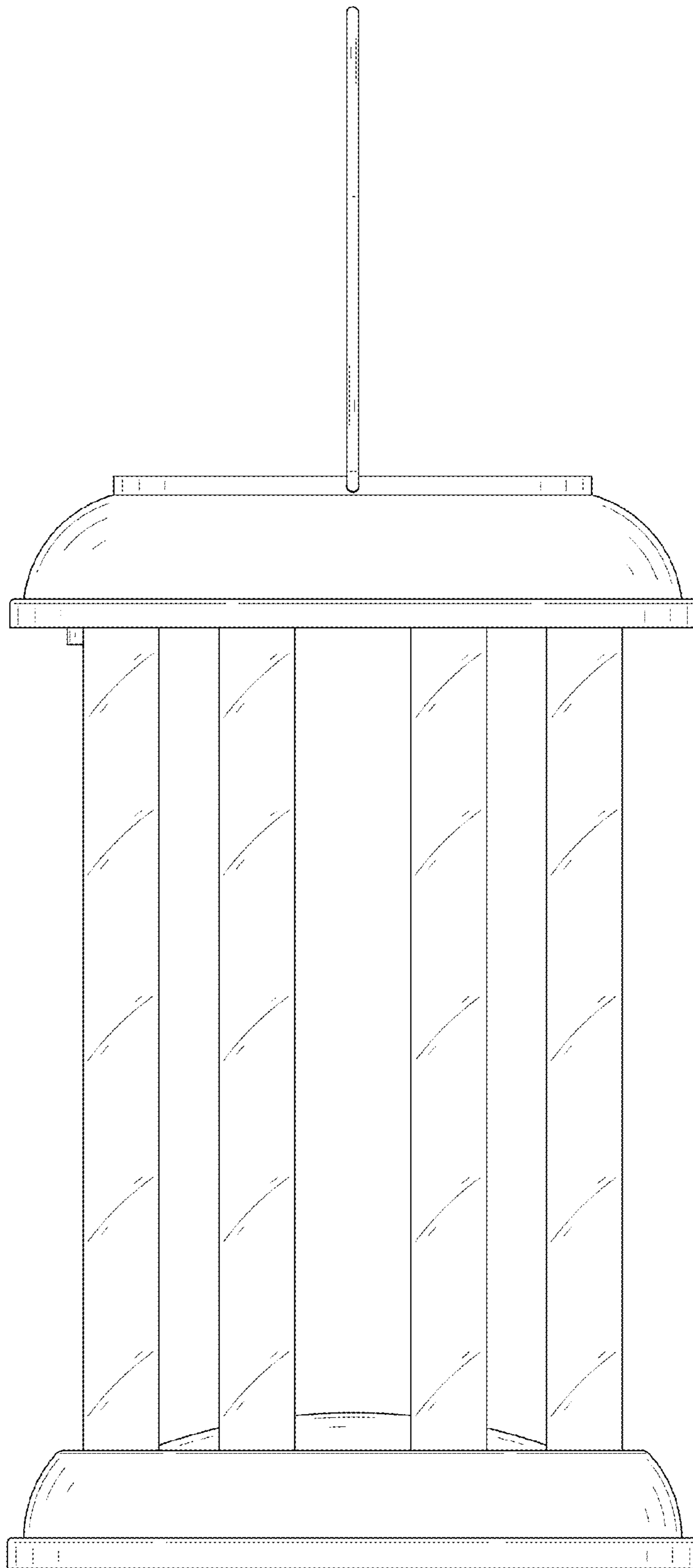


FIG. 6

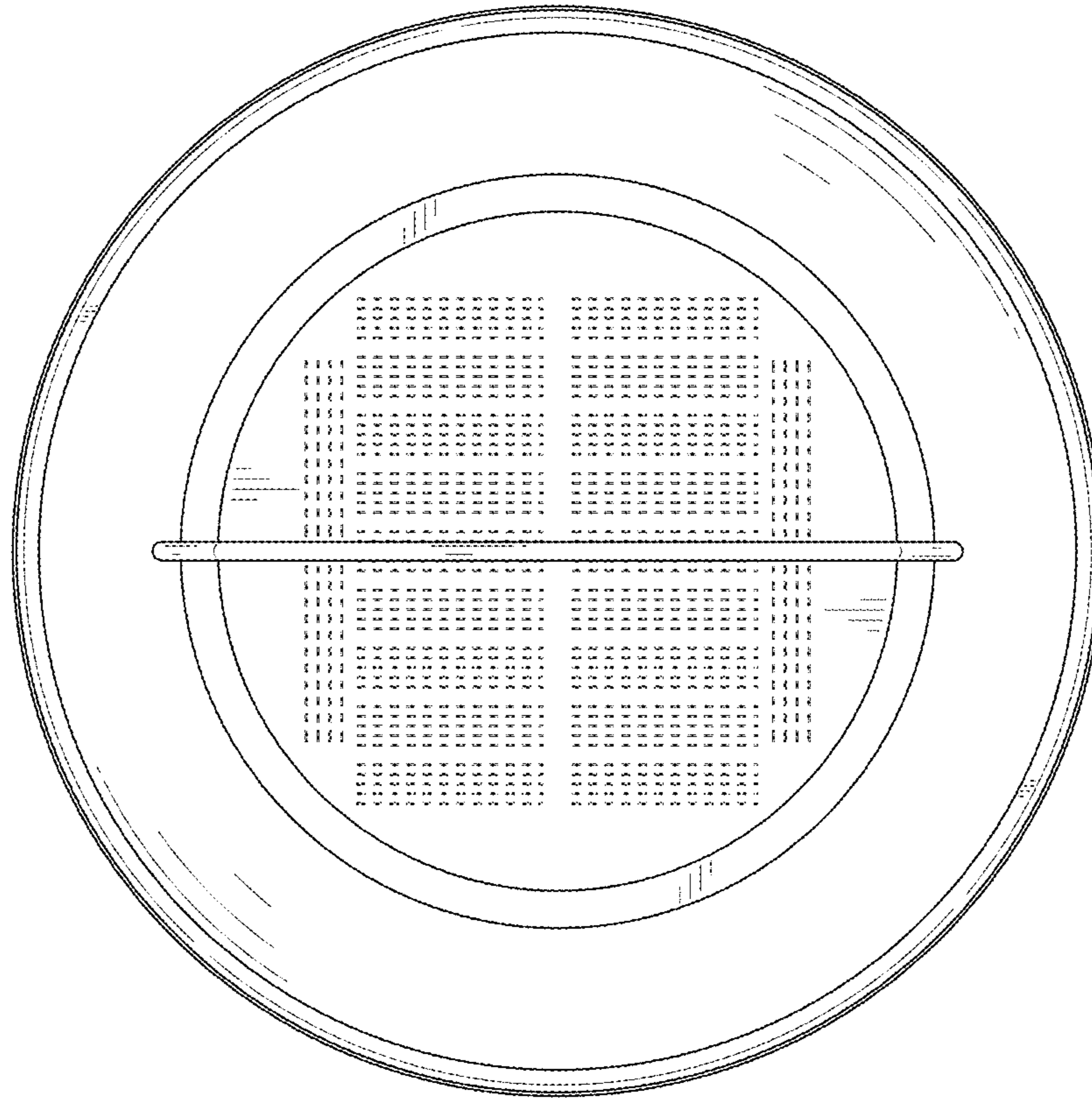


FIG. 7

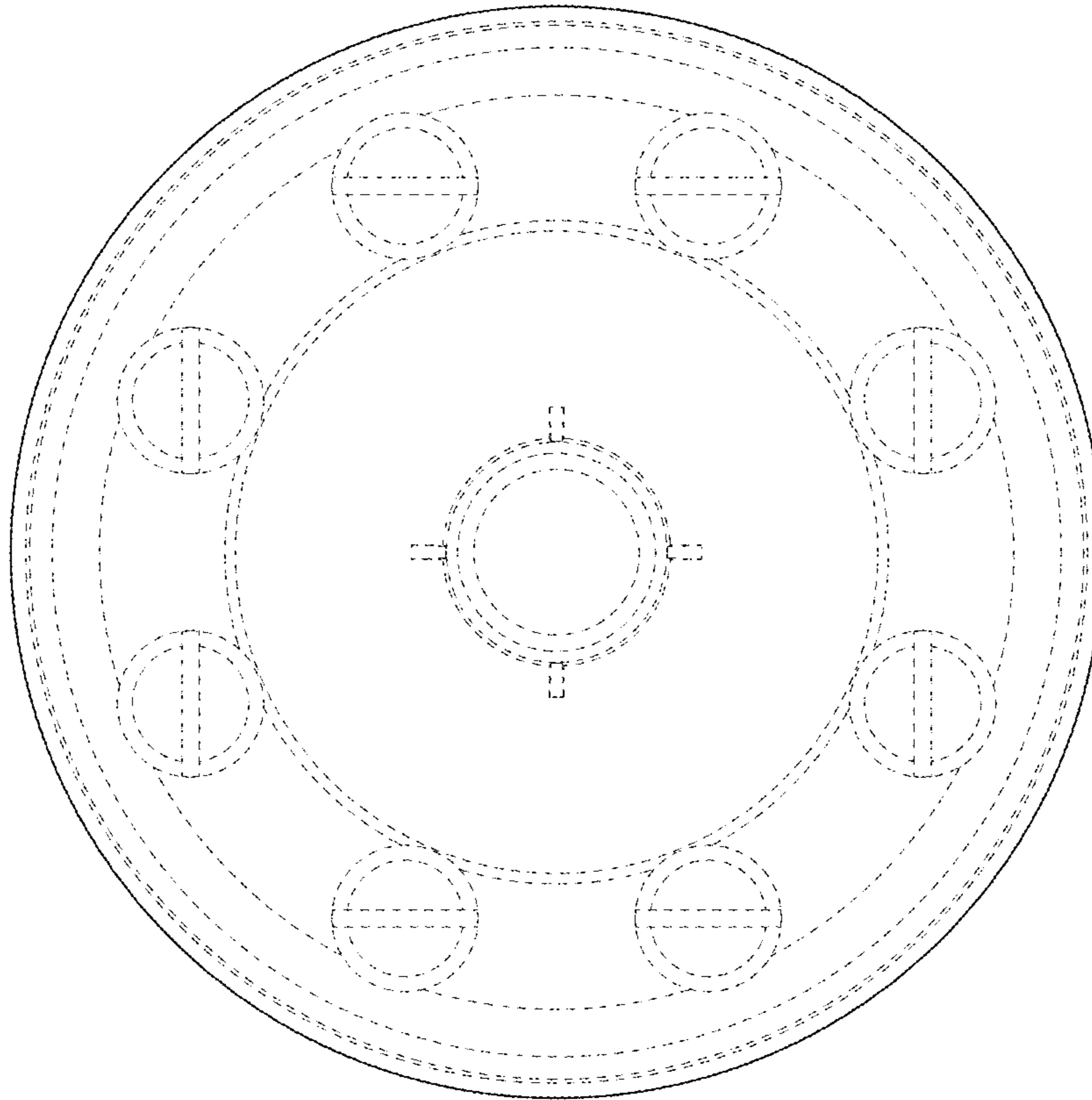


FIG. 8