



US00D927039S

(12) **United States Design Patent** (10) **Patent No.:** **US D927,039 S**
Bernard et al. (45) **Date of Patent:** **** Aug. 3, 2021**

- (54) **LED TROFFER FIXTURE**
- (71) Applicant: **IDEAL Industries Lighting LLC**,
Racine, WI (US)
- (72) Inventors: **Randall Levy Bernard**, Durham, NC
(US); **Steve Reich**, Durham, NC (US);
P. Joseph DeSena, Jr., Raleigh, NC
(US); **Mark Boomgaarden**, Cary, NC
(US)
- (73) Assignee: **IDEAL Industries Lighting LLC**,
Racine, WI (US)
- (**) Term: **15 Years**
- (21) Appl. No.: **29/642,336**
- (22) Filed: **Mar. 29, 2018**
- (51) **LOC (13) Cl.** **26-04**
- (52) **U.S. Cl.**
USPC **D26/76**
- (58) **Field of Classification Search**
USPC D26/76, 78, 79, 80, 81, 82, 83, 85, 86,
D26/88, 90, 113, 118, 119, 120, 121, 122,
D26/138, 139, 140, 141, 142, 152
CPC F21S 2/00; F21S 4/00; F21S 4/003; F21S
4/005; F21S 4/006; F21S 4/007; F21S
4/008; F21S 6/00; F21S 8/00; F21S
8/024; F21S 8/026; F21S 8/031; F21S
8/033; F21S 8/035-037; F21S 8/04; F21S
8/043; F21S 8/063
See application file for complete search history.

- (56) **References Cited**
U.S. PATENT DOCUMENTS
D496,121 S * 9/2004 Santoro D26/76
D602,625 S * 10/2009 Santoro D26/76
D608,490 S * 1/2010 Chung D26/118
D653,376 S * 1/2012 Kong D26/76

- D665,119 S * 8/2012 Bryant D26/122
- D667,156 S * 9/2012 Pickard D26/74
- D667,983 S * 9/2012 Pickard D26/74
- D672,079 S * 12/2012 Kong D26/74
- D679,848 S * 4/2013 Pickard D26/74
- D696,449 S * 12/2013 Boyer D26/74
- D707,873 S * 6/2014 Boyer D26/74
- D721,198 S * 1/2015 Glasbrenner D26/76
- D749,768 S * 2/2016 Snell D26/76
- D762,909 S * 8/2016 Shi D26/76
- D767,193 S * 9/2016 Jung D26/74
- D786,477 S * 5/2017 Lauderdale D26/76
- 9,786,639 B2 10/2017 Bergmann et al.

(Continued)

Primary Examiner — Natasha Vujcic
(74) *Attorney, Agent, or Firm* — Withrow & Terranova,
P.L.L.C.

(57) **CLAIM**

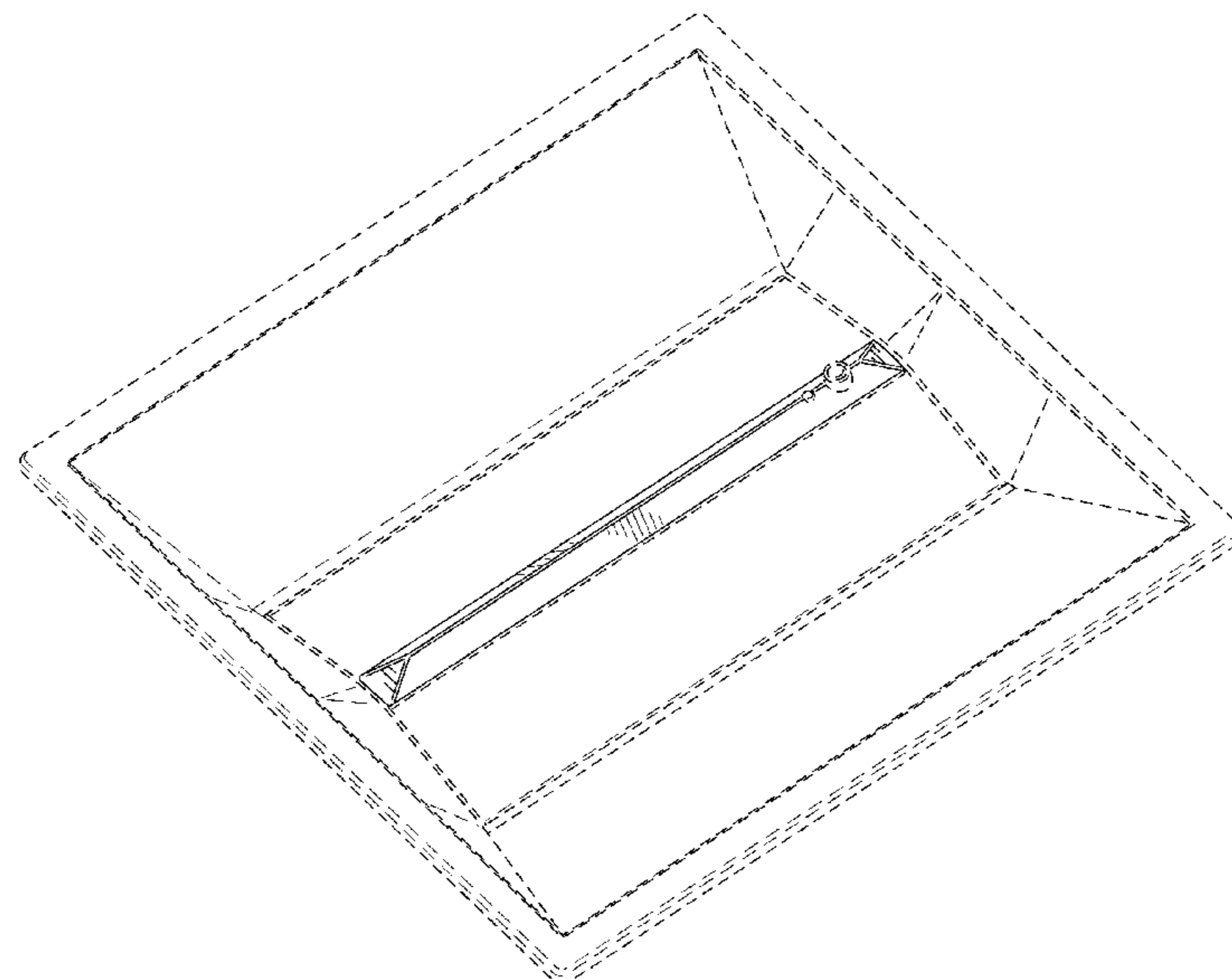
We claim the ornamental designs for a LED troffer fixture,
as shown and described.

DESCRIPTION

FIG. 1 is a front view showing an embodiment of our new
design for a LED troffer fixture;
FIG. 2 is a back view of the LED troffer fixture of FIG. 1;
FIG. 3 is a right side view of the LED troffer fixture of FIG.
1;
FIG. 4 is a left side view of the LED troffer fixture of FIG.
1;
FIG. 5 is a bottom view of the LED troffer fixture of FIG.
1;
FIG. 6 is a top view of the LED troffer fixture of FIG. 1;
FIG. 7 is a bottom perspective view of the LED troffer
fixture of FIG. 1; and,
FIG. 8 is a top perspective view of the LED troffer fixture
of FIG. 1.

The portions shown in broken lines are not part of the
claimed design but show the environment in which the
design is associated.

1 Claim, 6 Drawing Sheets



(56)

References Cited

U.S. PATENT DOCUMENTS

D833,052 S * 11/2018 Verfueth D26/76
D869,047 S * 12/2019 Bao D26/76

* cited by examiner

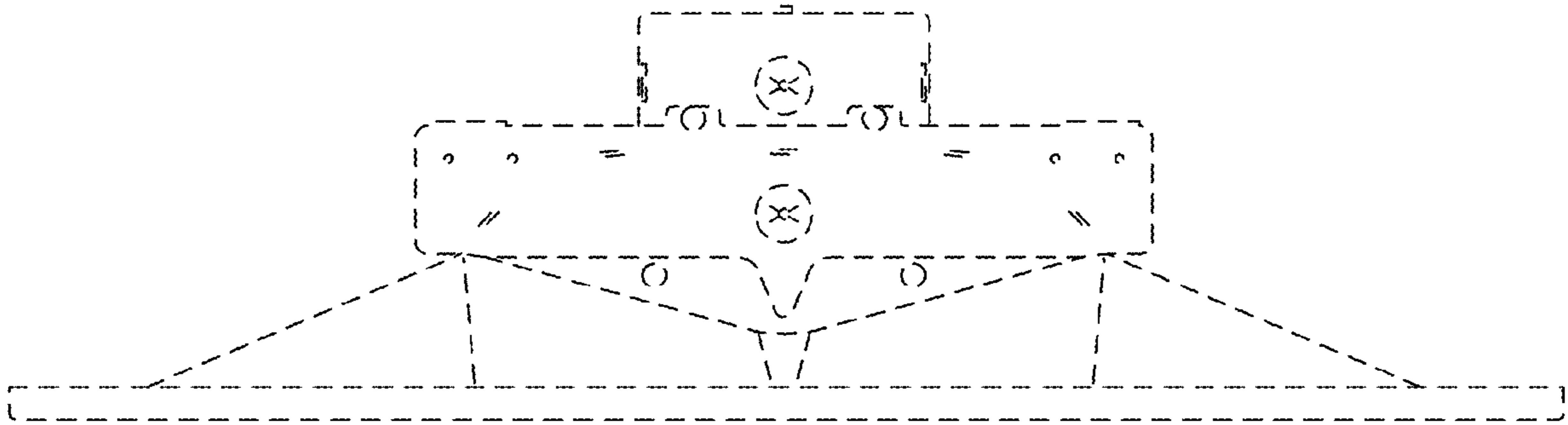


FIG. 1

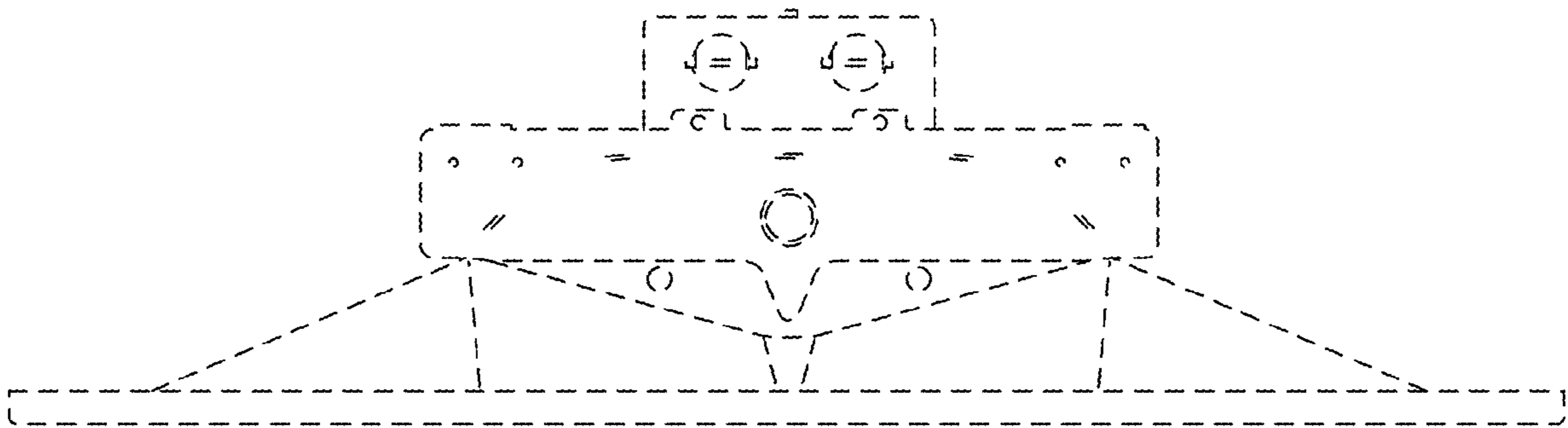


FIG. 2



FIG. 3



FIG. 4

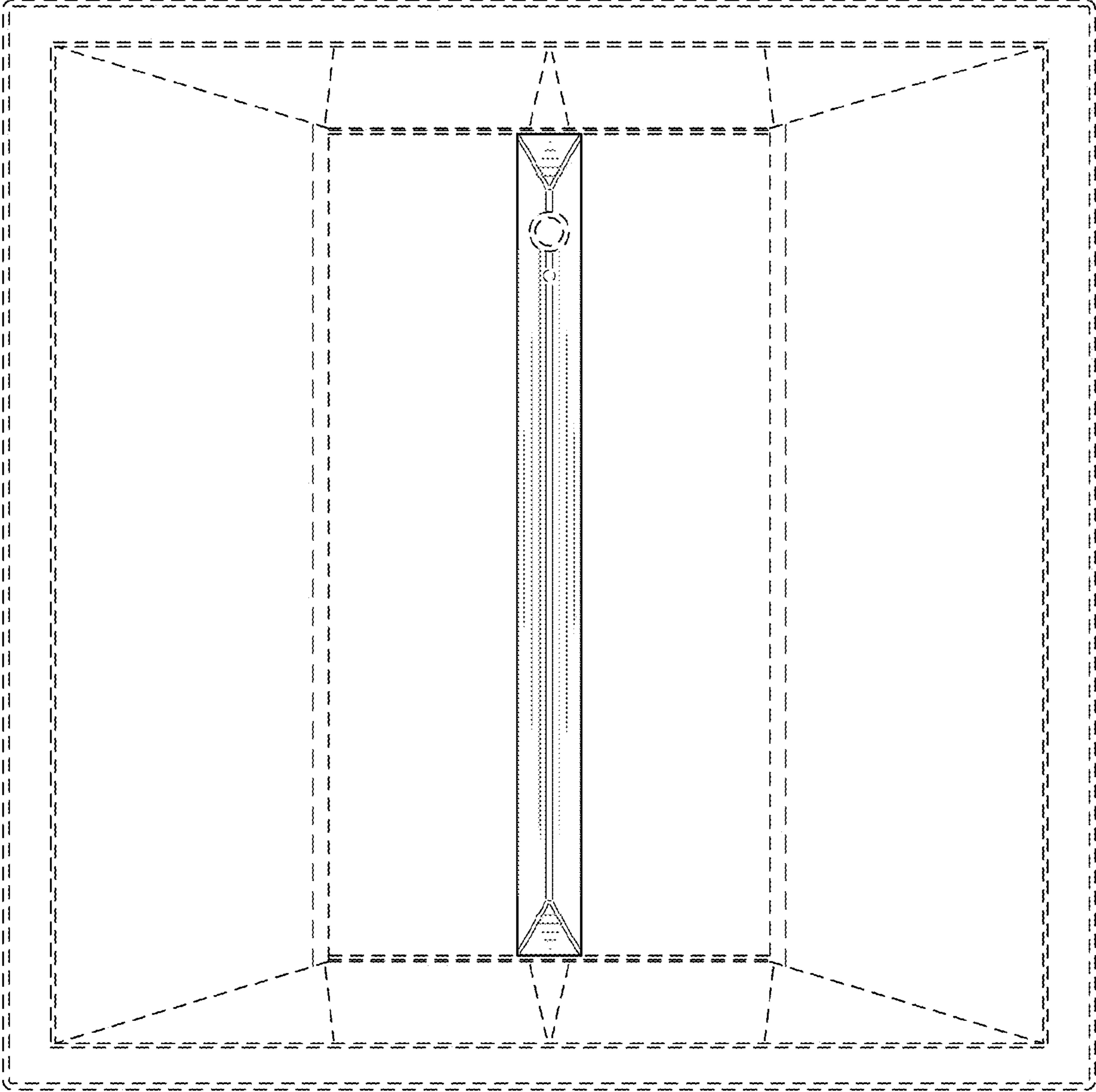


FIG. 5

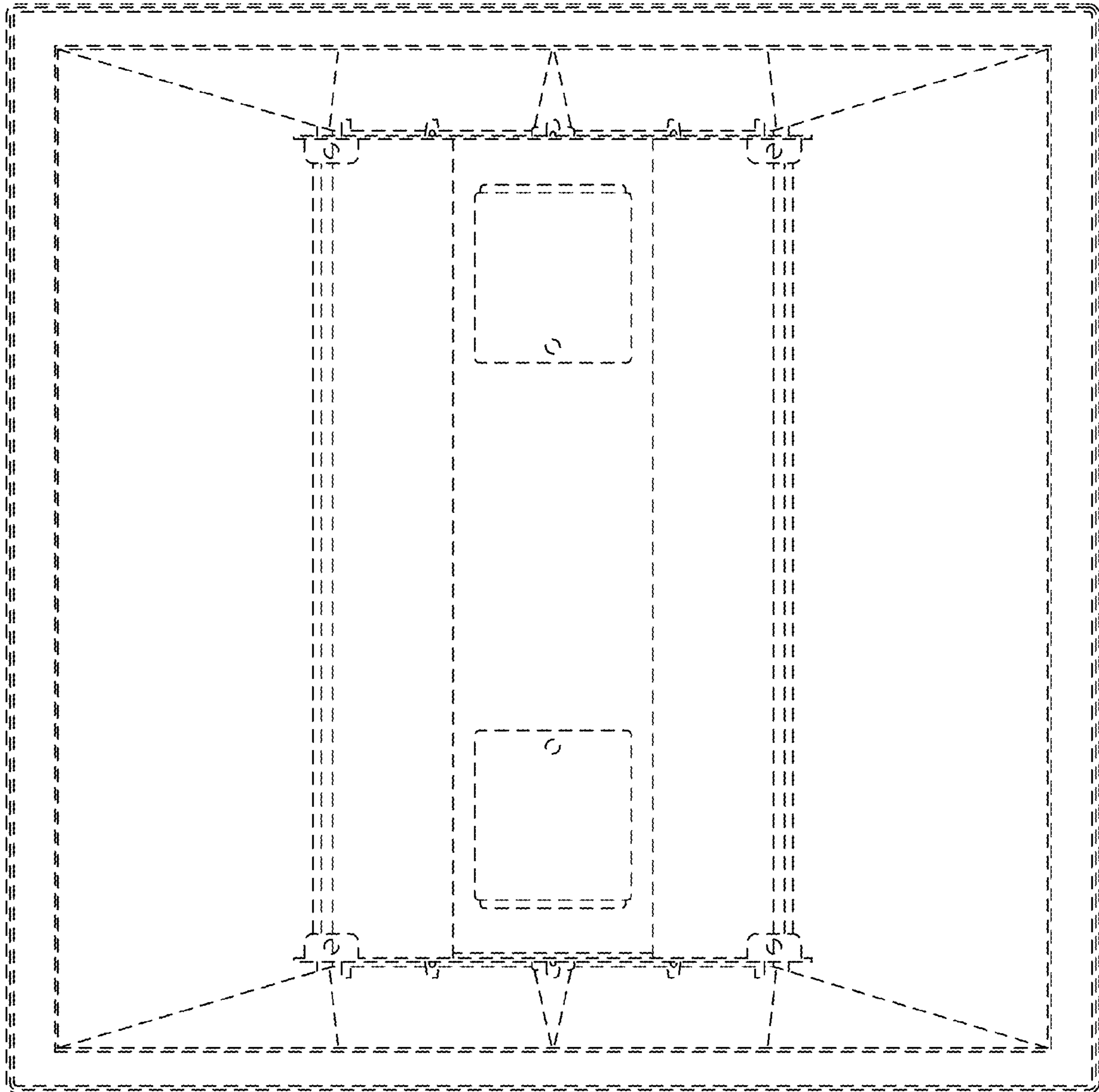


FIG. 6

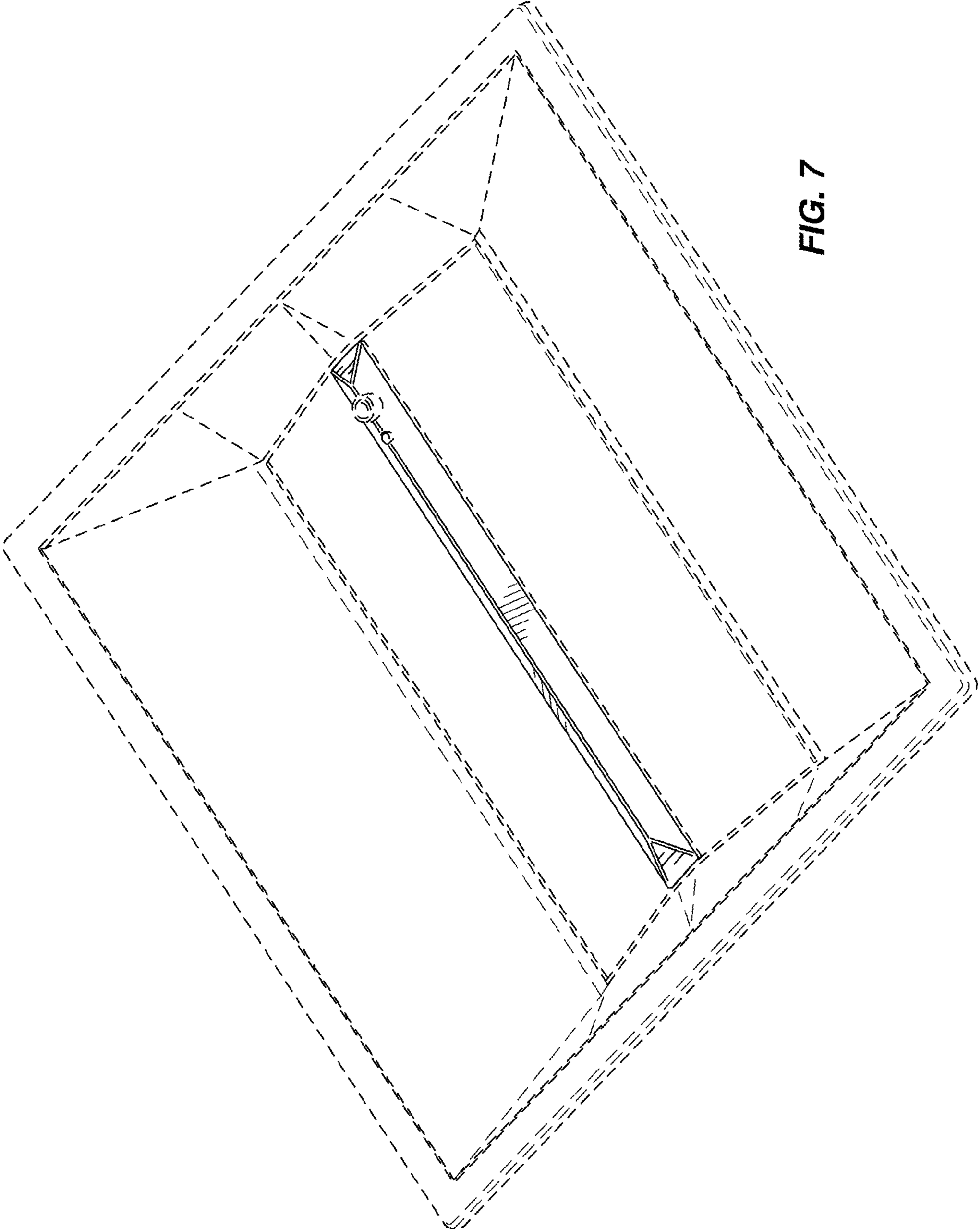


FIG. 7

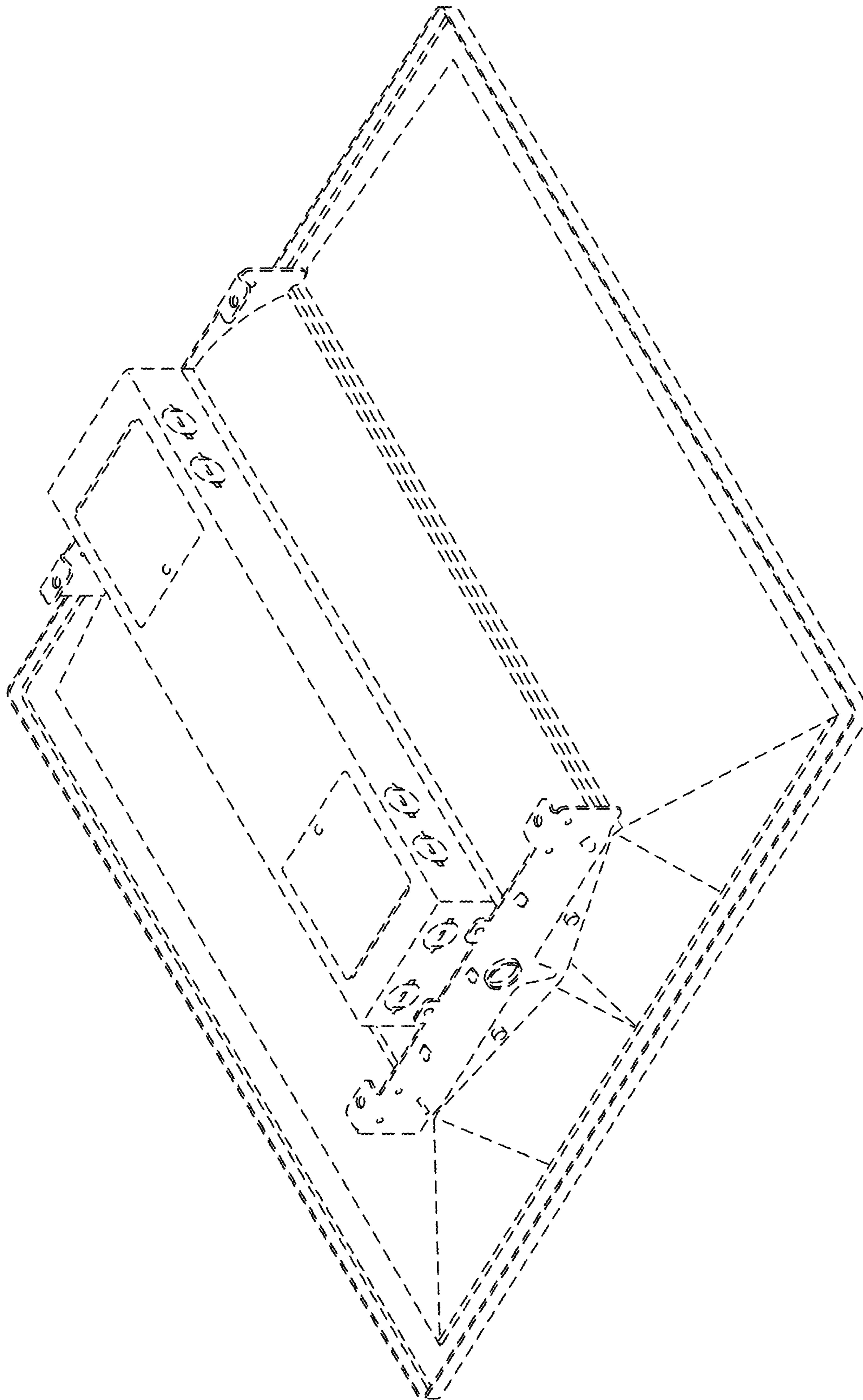


FIG. 8