

US00D927038S

(12) **United States Design Patent** (10) **Patent No.:** **US D927,038 S**
Okagaki et al. (45) **Date of Patent:** **** Aug. 3, 2021**

(54) **LIGHTING DEVICE**

(57) **CLAIM**

(71) Applicant: **Mitsubishi Electric Corporation,**
Tokyo (JP)

The ornamental design for a lighting device, as shown and described.

(72) Inventors: **Satoru Okagaki,** Tokyo (JP); **Yusuke Fujii,** Tokyo (JP); **Haruka Yamazaki,** Tokyo (JP); **Muneharu Kuwata,** Tokyo (JP); **Kuniko Kojima,** Tokyo (JP)

DESCRIPTION

(73) Assignee: **Mitsubishi Electric Corporation,**
Tokyo (JP)

The file of this patent contains at least one drawing/photograph executed in color. Copies of this patent with color drawing(s)/photograph(s) will be provided by the Office upon request and payment of the necessary fee.

(**) Term: **15 Years**

FIG. 1 is a front perspective view of the front, right, and top sides of a lighting device showing a first embodiment of our new design;

(21) Appl. No.: **29/684,139**

FIG. 2 is a front view thereof;

(22) Filed: **Mar. 19, 2019**

FIG. 3 is a rear view thereof;

(30) **Foreign Application Priority Data**

FIG. 4 is a top plan view thereof, a bottom plan view being a mirror image thereof;

Sep. 26, 2018 (JP) 2018-020854

FIG. 5 is a right side view thereof, a left side view being a mirror image thereof;

Sep. 26, 2018 (JP) 2018-020855

(Continued)

FIG. 6 is an enlarged end view showing cross-sectional end face only at a cut part 6-6 of FIG. 2, with partially omitting the interior mechanism;

(51) **LOC (13) Cl.** **26-05**

FIG. 7 is an enlarged end view showing cross-sectional end face only at a cut part 7-7 of FIG. 2, with partially omitting the interior mechanism;

(52) **U.S. Cl.**

USPC **D26/74**

FIG. 8 is a perspective view showing the lighting device in a light emitting state;

(58) **Field of Classification Search**

USPC D26/74, 72, 75, 76, 77, 78, 85, 88, 89, D26/118, 138, 141, 67, 70; 362/364,

FIG. 9 is a front perspective view of the front, right, and top sides of a lighting device showing a second embodiment of our new design;

(Continued)

FIG. 10 is a front view thereof;

(56) **References Cited**

U.S. PATENT DOCUMENTS

D597,241 S * 7/2009 Fabbri D26/74
D614,792 S * 4/2010 Fabbri D26/74

FIG. 11 is a rear view thereof;

(Continued)

FIG. 12 is a top plan view thereof, a bottom plan view being a mirror image thereof;

Primary Examiner — Angela J Lee

FIG. 13 is a right side view thereof, a left side view being a mirror image thereof;

(74) *Attorney, Agent, or Firm* — Studebaker & Brackett
PC

FIG. 14 is an enlarged end view showing cross-sectional end face only at a cut part 14-14 of FIG. 10, with partially omitting the interior mechanism;

FIG. 15 is an enlarged end view showing cross-sectional end face only at a cut part 15-15 of FIG. 10, with partially omitting the interior mechanism; and,

(Continued)

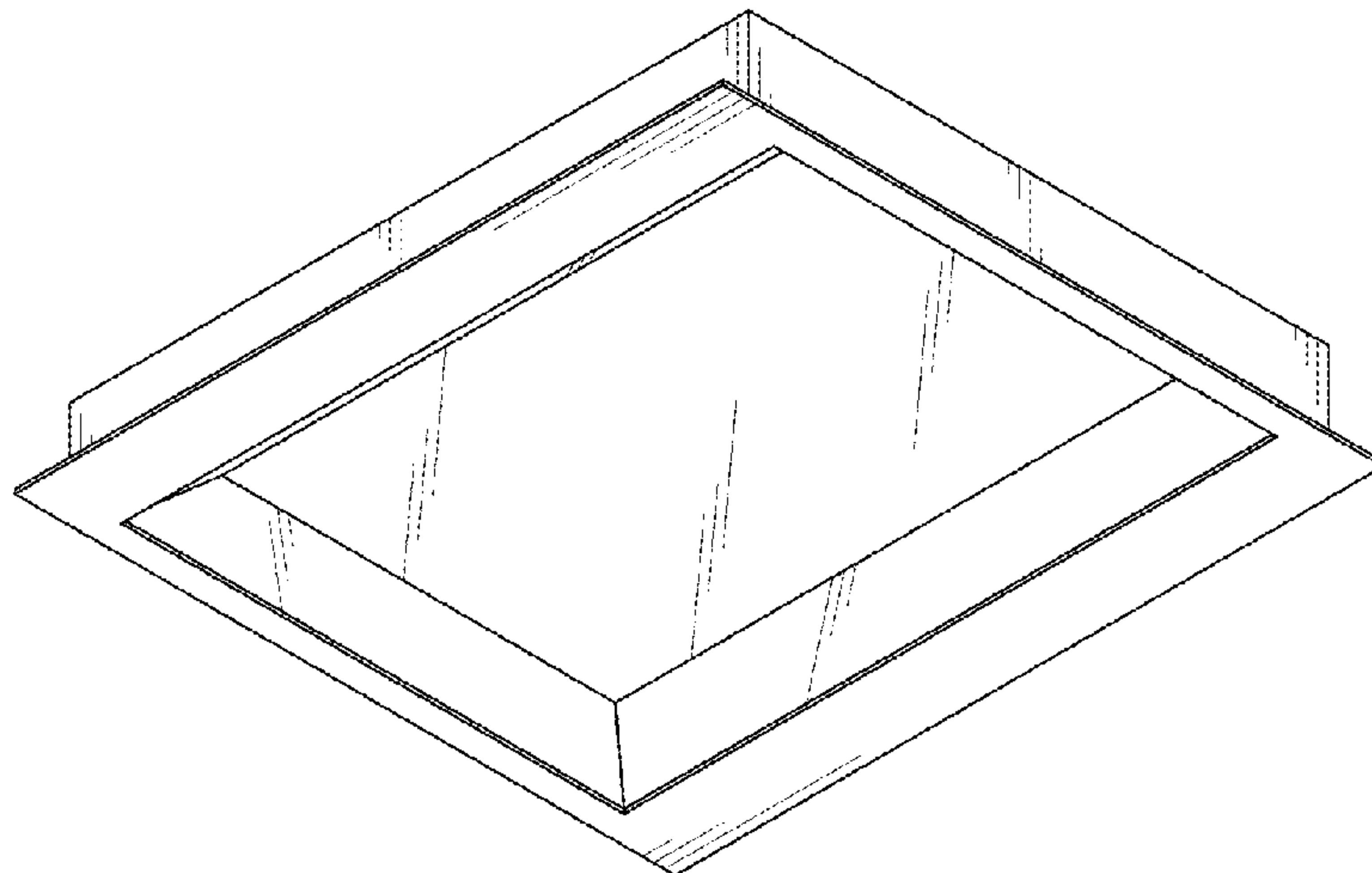


FIG. 16 is a perspective view showing the lighting device in a light emitting state.

F21V 29/2268; F21Y 2111/002; F21S 8/02; F21S 8/026

**1 Claim, 16 Drawing Sheets
(2 of 16 Drawing Sheet(s) Filed in Color)**

See application file for complete search history.

(56)

References Cited

U.S. PATENT DOCUMENTS

- (30) **Foreign Application Priority Data**
Sep. 26, 2018 (JP) 2018-020856
Sep. 26, 2018 (JP) 2018-020857
Sep. 26, 2018 (JP) 2018-020858
Sep. 26, 2018 (JP) 2018-020859
- (58) **Field of Classification Search**
USPC 362/365, 373, 145, 146, 147, 148, 150,
362/153, 153.1, 294, 296.01, 296.07,
362/296.08
CPC F21V 29/2262; F21V 7/06; F21V 21/044;
F21V 21/047; F21V 29/2212; F21V
29/2225; F21V 29/2256; F21V 29/225;

- D675,362 S * 1/2013 Apetauer D26/74
D679,437 S * 4/2013 Watt D26/74
D738,032 S * 9/2015 Maxik D26/118
D766,497 S * 9/2016 Salomon D26/138
D769,502 S * 10/2016 Van Lierde D26/74
D778,487 S * 2/2017 Salomon D26/138
D779,699 S * 2/2017 Bernard D26/74
D843,633 S * 3/2019 Zheng D26/89
D847,393 S * 4/2019 Chung D26/74
D848,047 S * 5/2019 Santoro D26/74
D880,750 S * 4/2020 Rashidi Doust D26/74

* cited by examiner

Fig.1

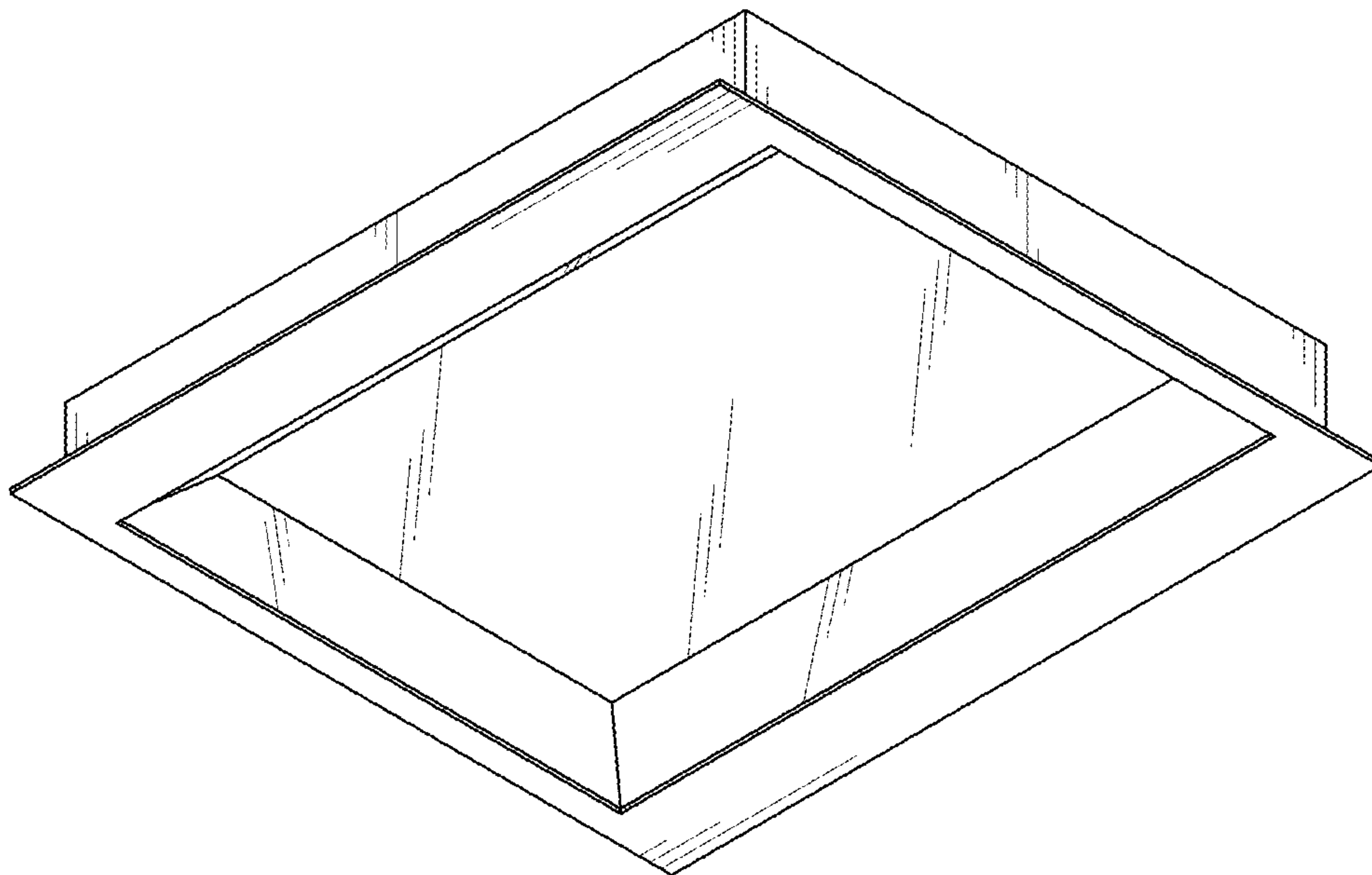


Fig.2

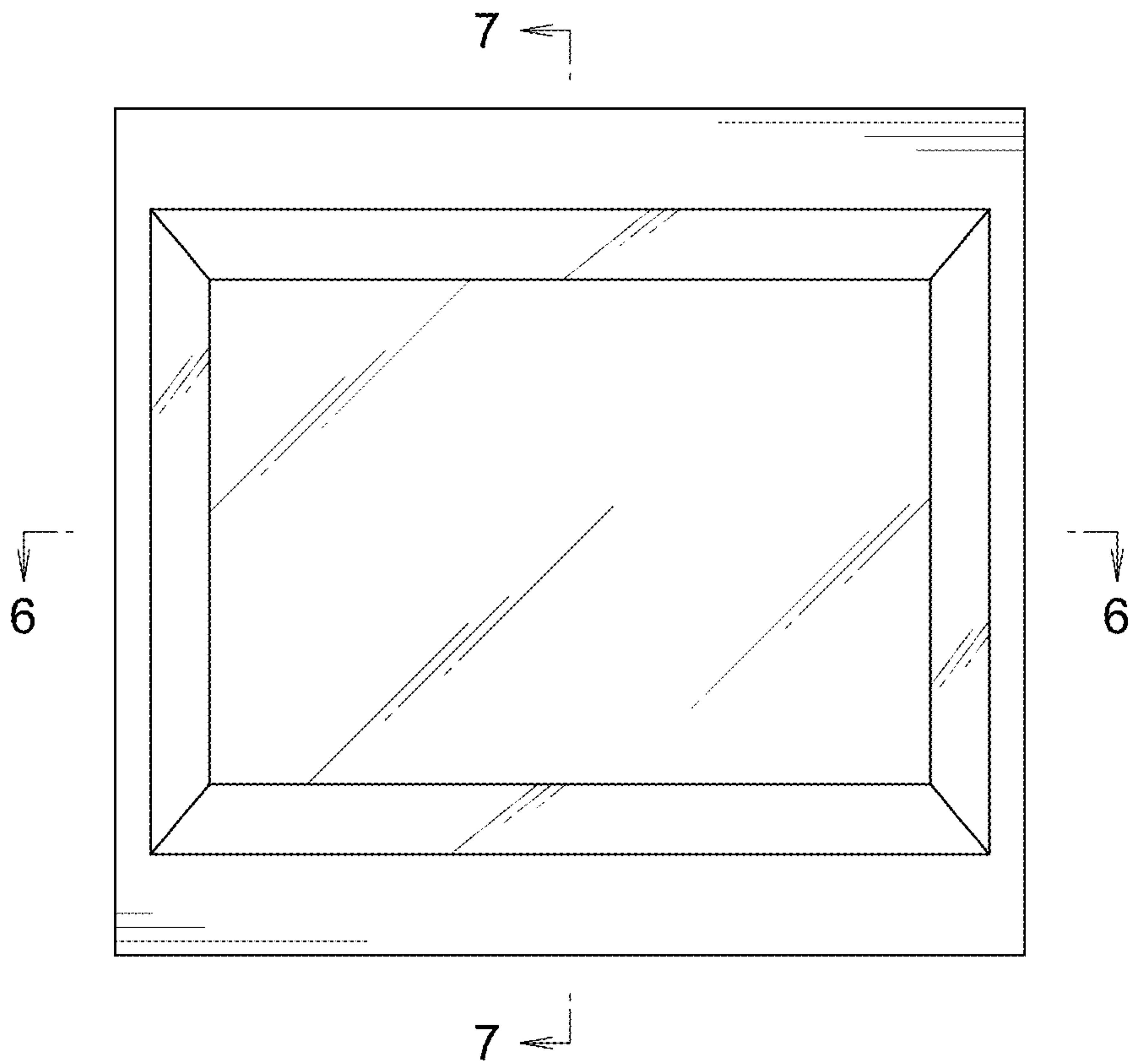


Fig.3

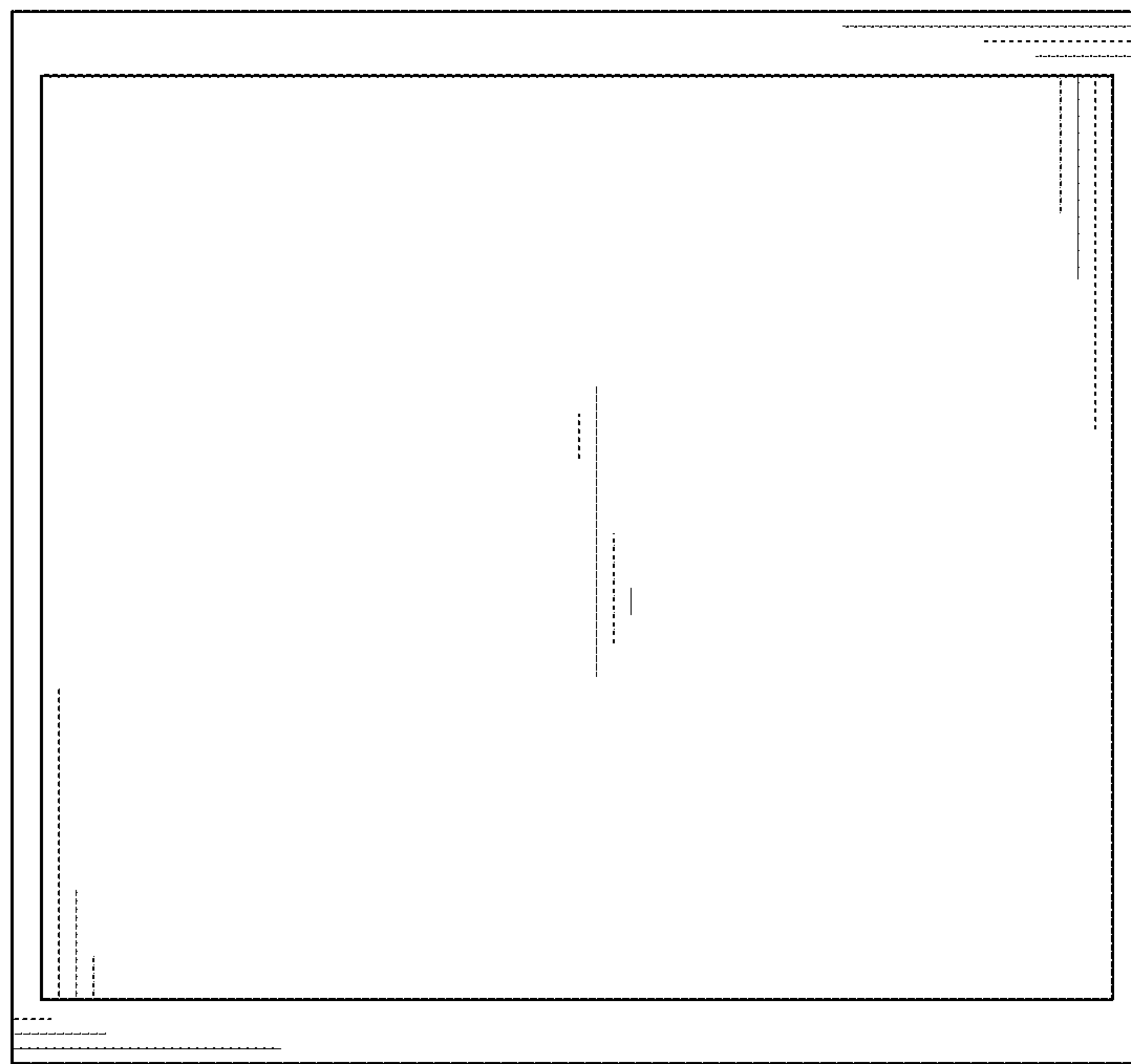


Fig.4

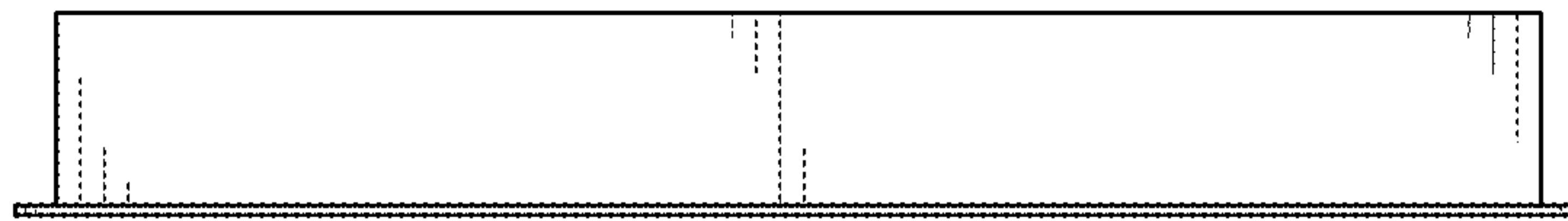


Fig.5

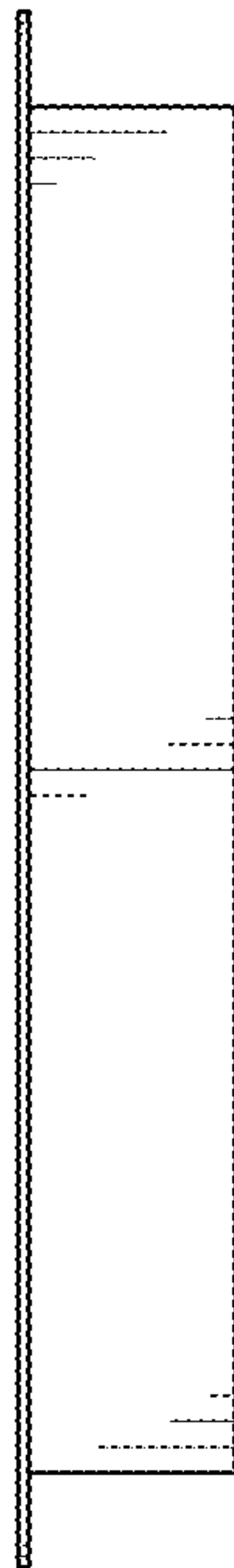


Fig.6

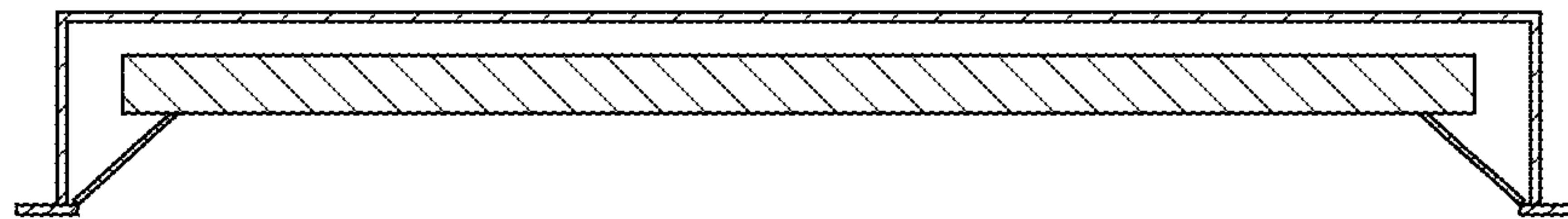


Fig. 7

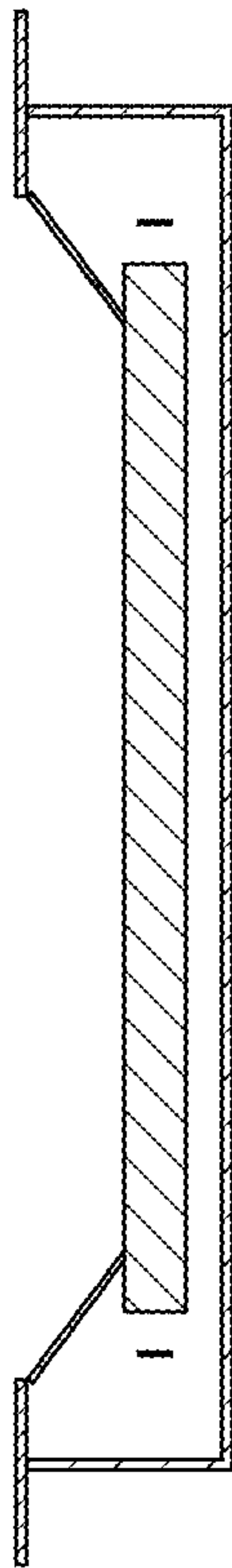


Fig.8

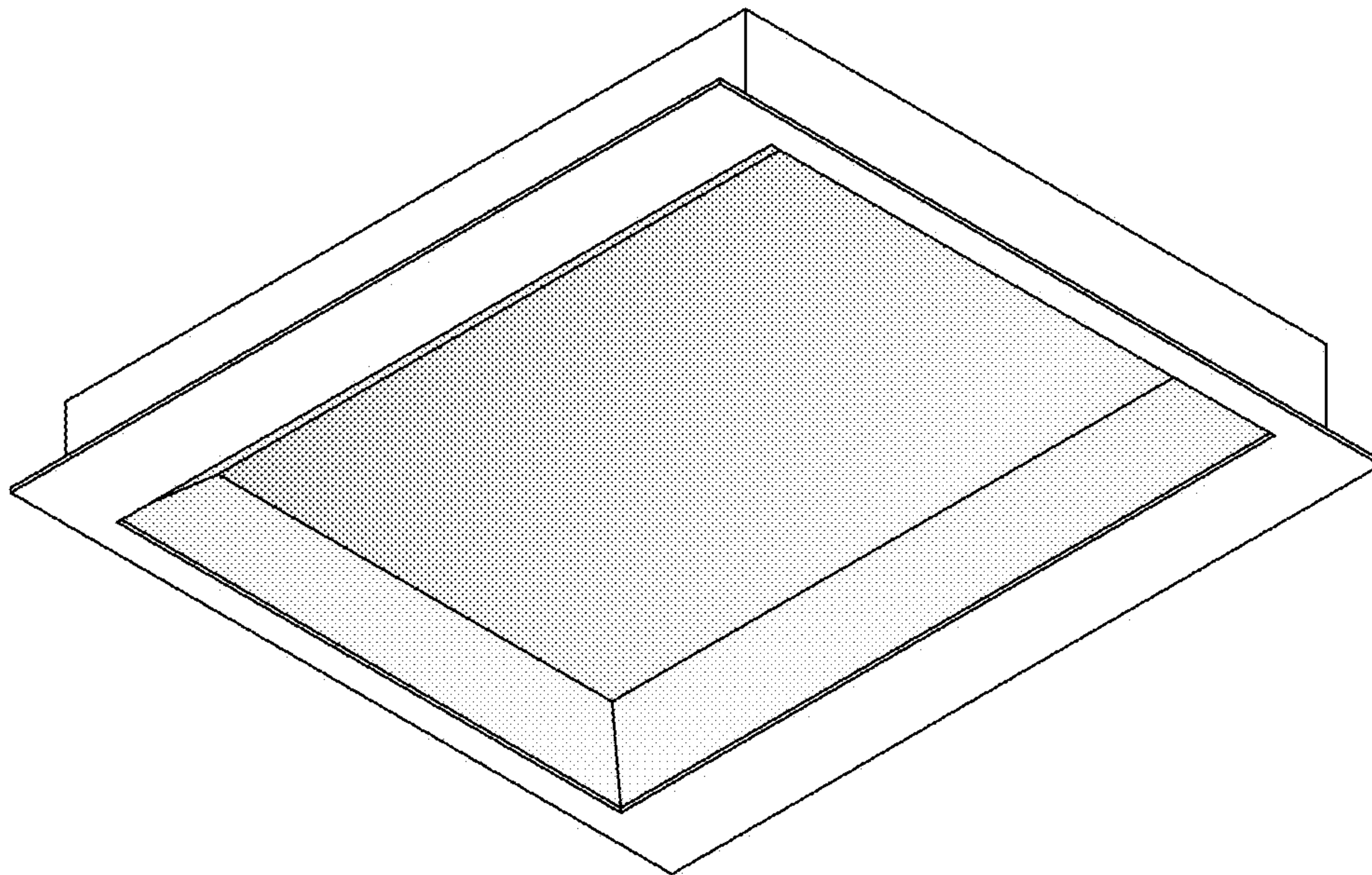


Fig. 9

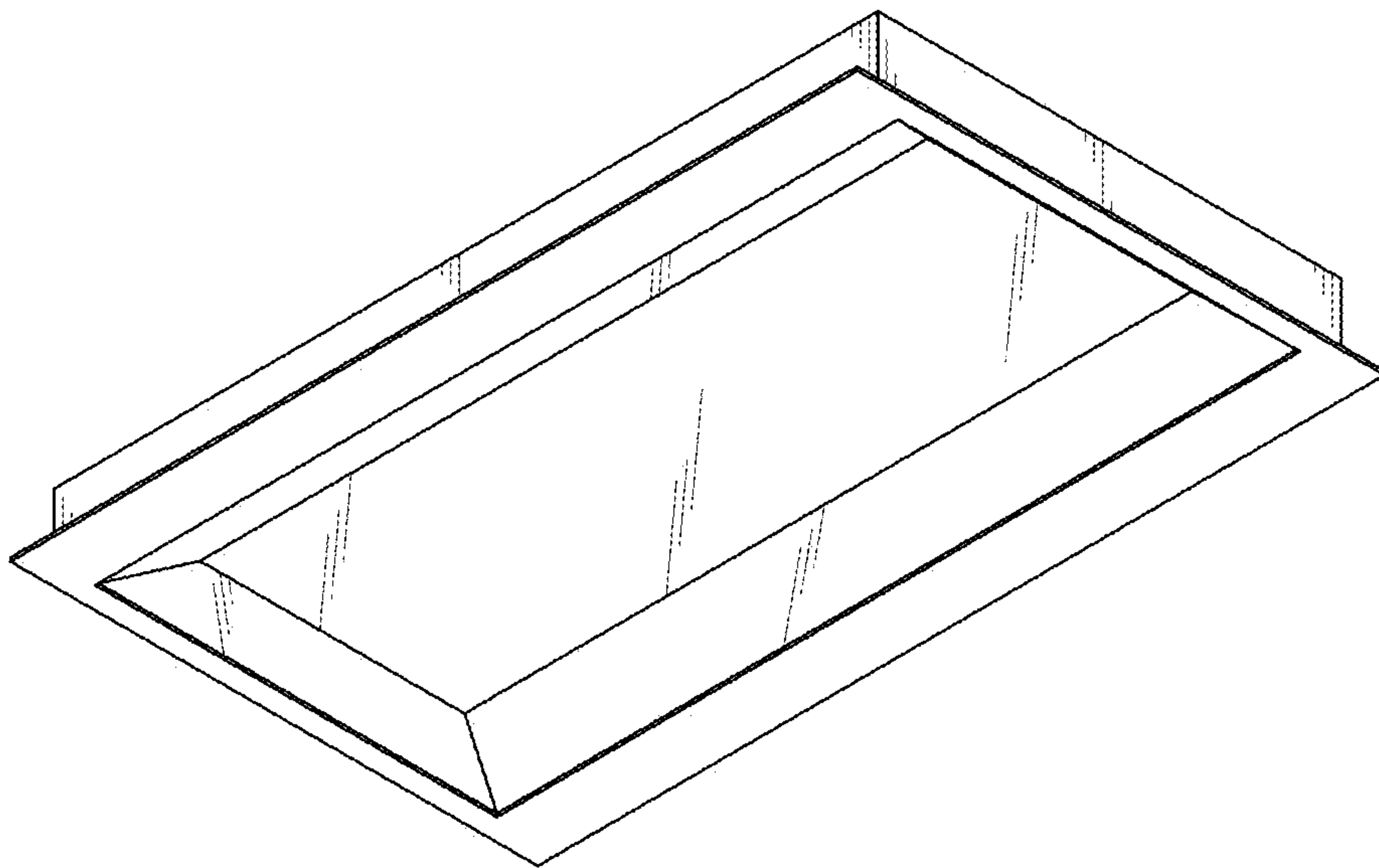


Fig.10

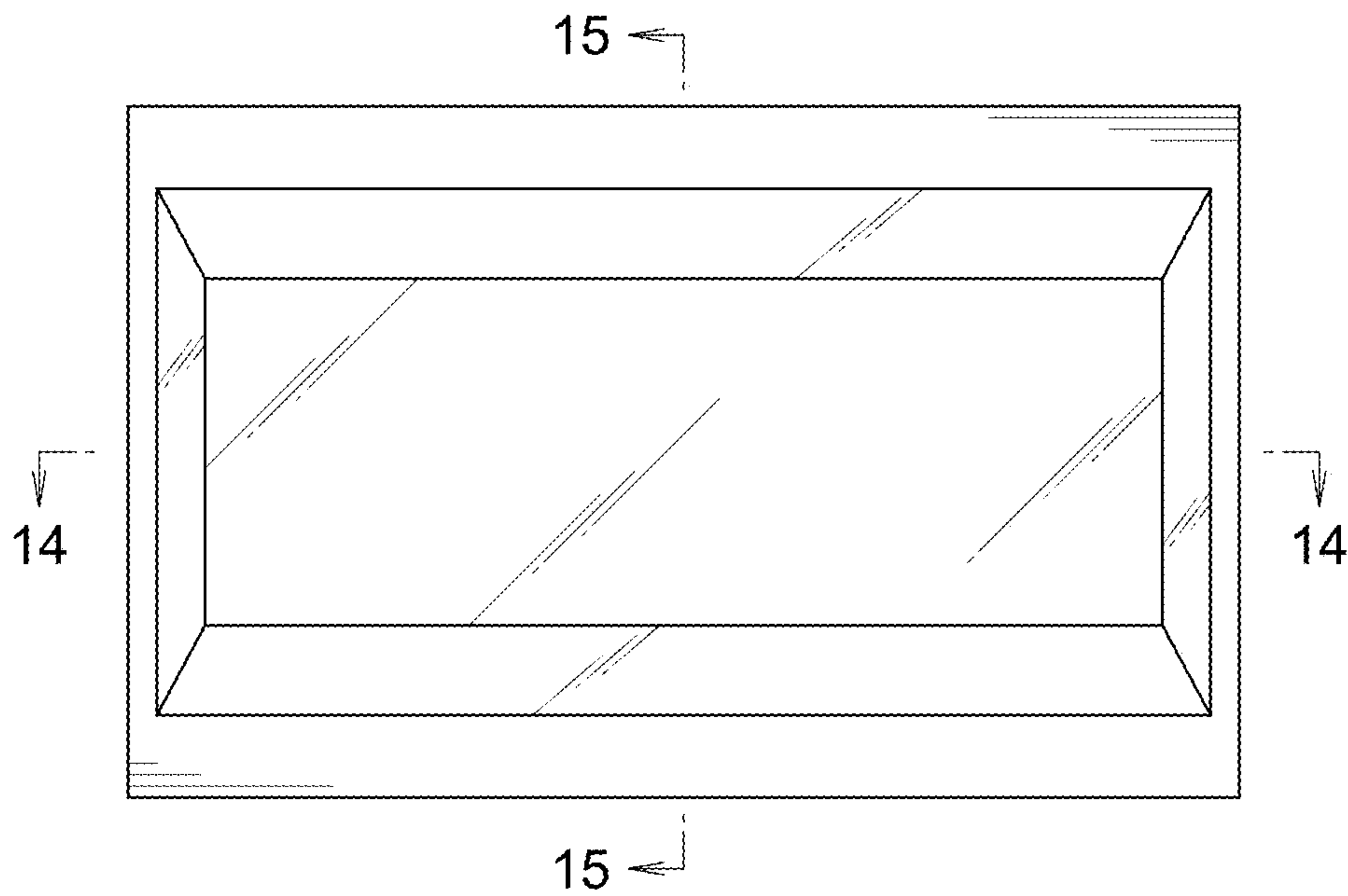


Fig.11

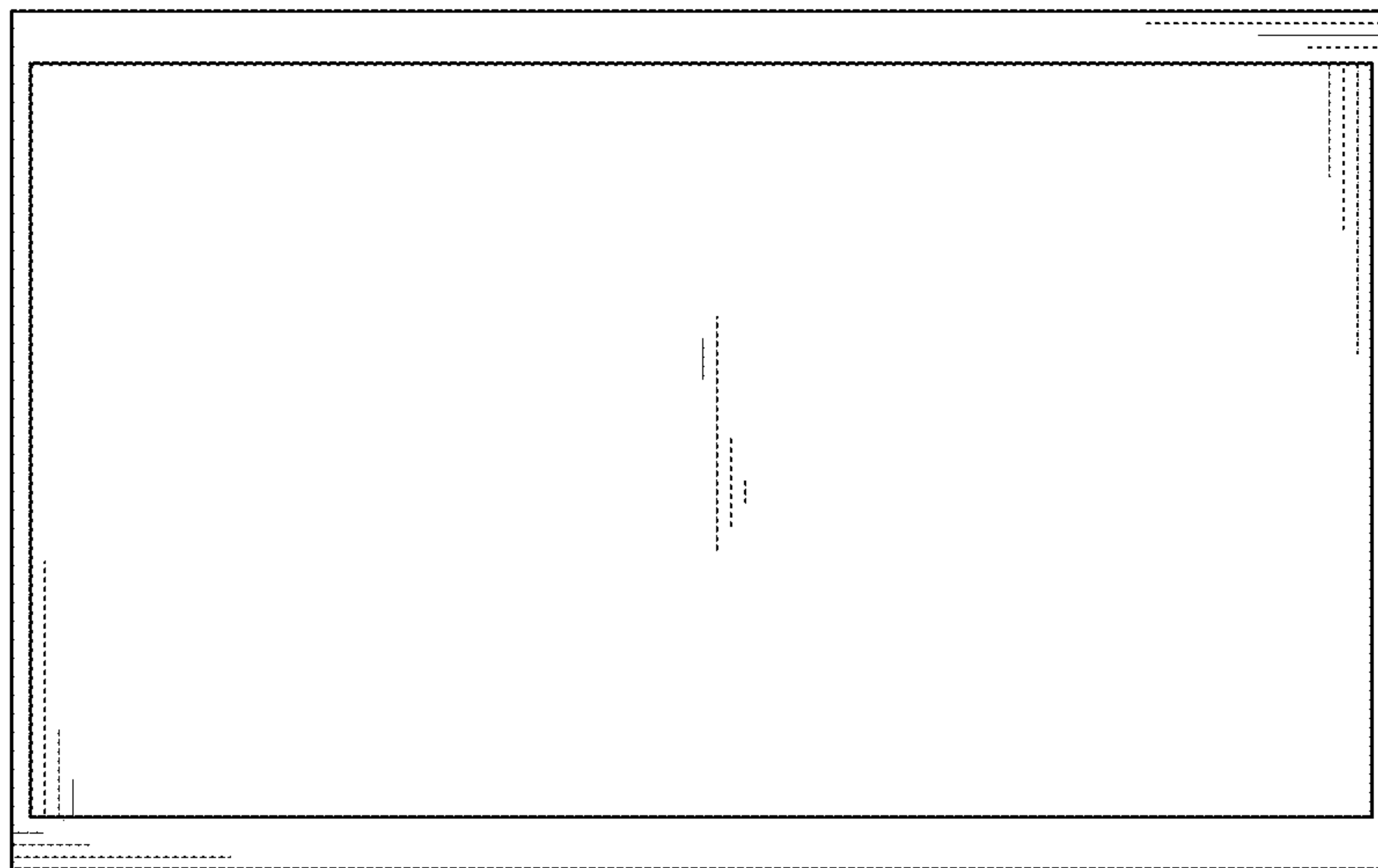


Fig.12

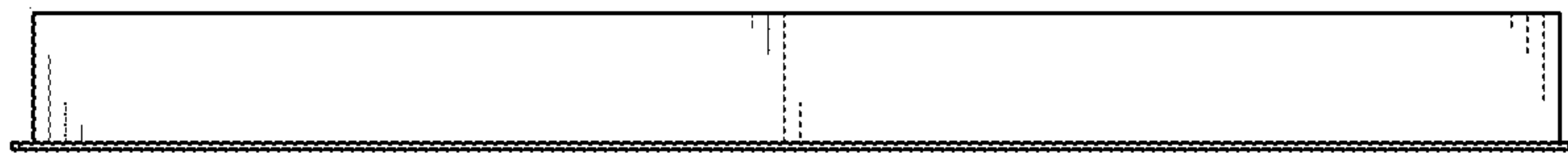


Fig.13

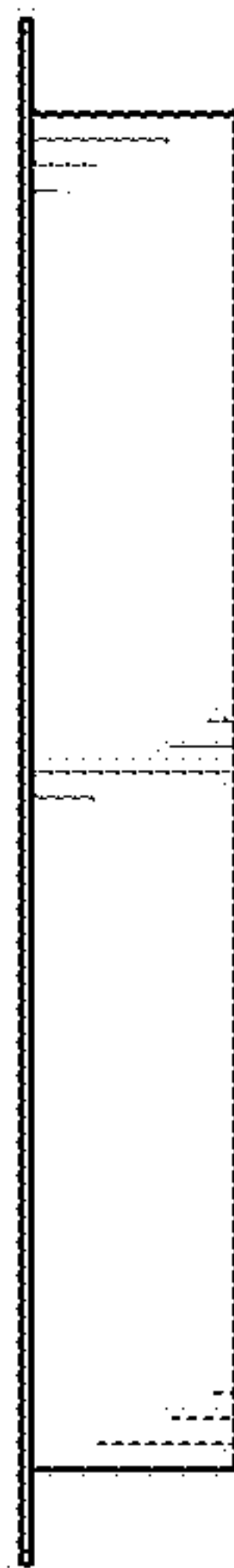


Fig.14

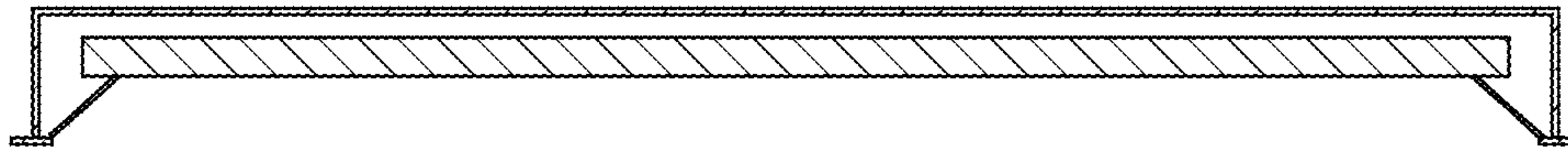


Fig.15

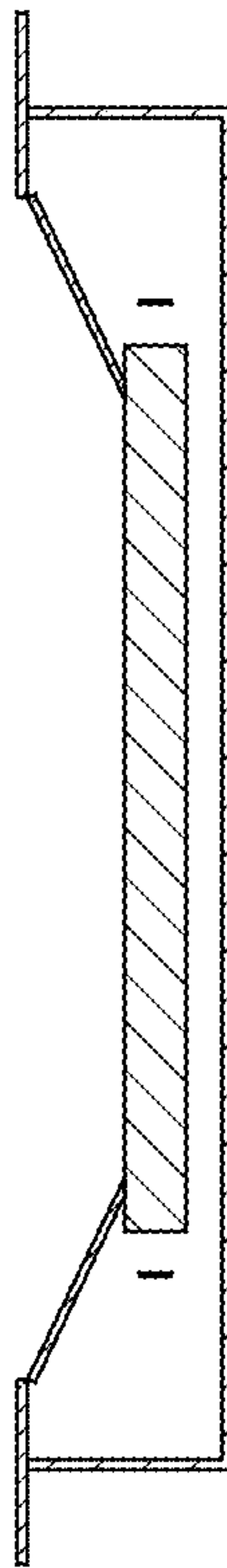


Fig.16

