



US00D927037S

(12) **United States Design Patent** (10) **Patent No.:** **US D927,037 S**
Chen et al. (45) **Date of Patent:** **** Aug. 3, 2021**

(54) **SYMMETRIC LINEAR OPTIC**
(71) Applicant: **ABL IP Holding LLC**, Atlanta, GA (US)
(72) Inventors: **Jie Chen**, Snellville, GA (US); **Prashank Kansal**, Norcross, GA (US); **Craig Eugene Marquardt**, Social Circle, GA (US)
(73) Assignee: **ABL IP Holding LLC**, Atlanta, GA (US)
(**) Term: **15 Years**
(21) Appl. No.: **29/646,541**
(22) Filed: **May 4, 2018**
(51) **LOC (13) Cl.** **26-05**
(52) **U.S. Cl.**
USPC **D26/74**
(58) **Field of Classification Search**
USPC D26/27, 24, 72, 74, 75, 76, 78, 80, 81, D26/83, 120

(Continued)

(56) **References Cited**

U.S. PATENT DOCUMENTS

2,356,654 A 8/1944 Cullman
3,681,591 A 8/1972 Loch

(Continued)

FOREIGN PATENT DOCUMENTS

CA 2316123 3/2001
EP 1925878 5/2008

OTHER PUBLICATIONS

U.S. Appl. No. 16/403,928, Amendment and Response to Non-Final Office Action, dated Oct. 23, 2020 (19 pages).

(Continued)

Primary Examiner — Angela J Lee
(74) *Attorney, Agent, or Firm* — Kilpatrick Townsend & Stockton LLP

(57) **CLAIM**

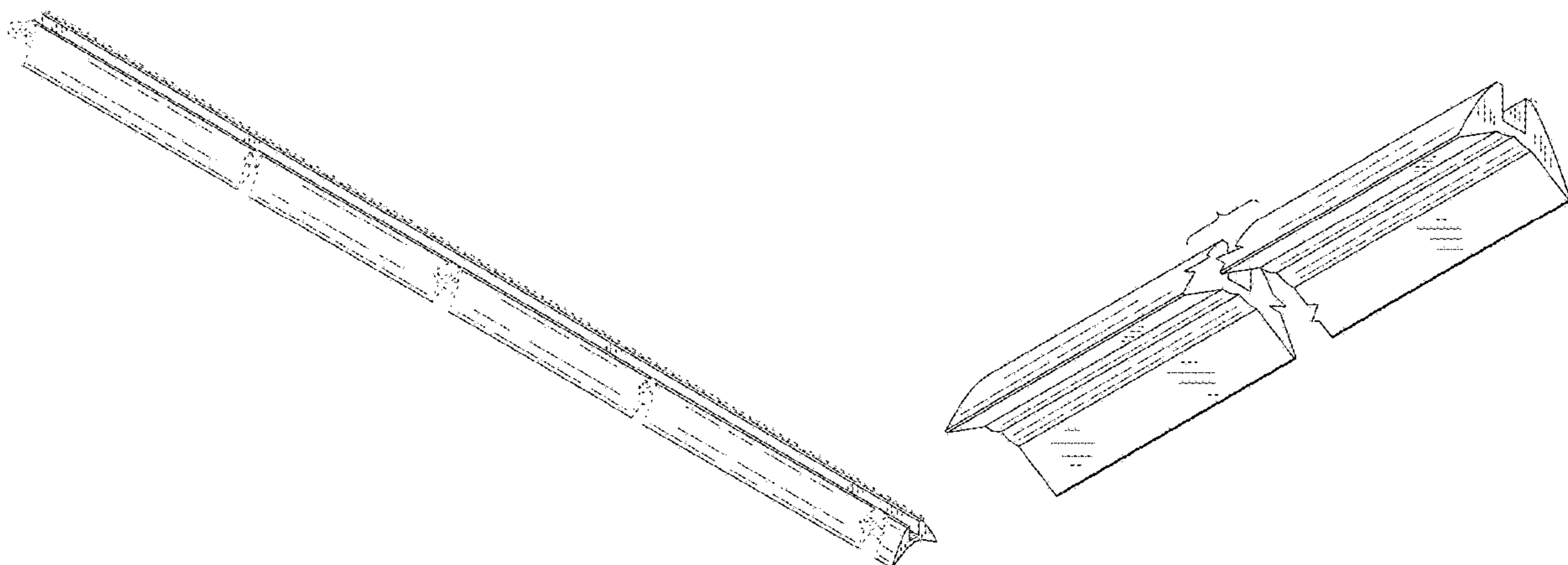
The ornamental design for a symmetric linear optic, as shown and described.

DESCRIPTION

FIG. 1 is a perspective view, from above, of a first embodiment of a symmetric linear optic;
FIG. 2 is a perspective view, from below, of the symmetric linear optic of FIG. 1;
FIG. 3 is a right side elevation view of the symmetric linear optic of FIG. 1;
FIG. 4 is a left side elevation view of the symmetric linear optic of FIG. 1;
FIG. 5 is a rear elevation view of the symmetric linear optic of FIG. 1;
FIG. 6 is a front elevation view of the symmetric linear optic of FIG. 1;
FIG. 7 is a top plan view of the symmetric linear optic of FIG. 1;
FIG. 8 is a bottom plan view of the symmetric linear optic of FIG. 1;
FIG. 9 is a perspective view, from above, of a second embodiment of a symmetric linear optic;
FIG. 10 is a perspective view, from below, of the symmetric linear optic of FIG. 9;
FIG. 11 is a right side elevation view of the symmetric linear optic of FIG. 9;
FIG. 12 is a left side elevation view of the symmetric linear optic of FIG. 9;
FIG. 13 is a rear elevation view of the symmetric linear optic of FIG. 9;
FIG. 14 is a front elevation view of the symmetric linear optic of FIG. 9;
FIG. 15 is a top plan view of the symmetric linear optic of FIG. 9; and,
FIG. 16 is a bottom plan view of the symmetric linear optic of FIG. 9.

Features shown in evenly dotted broken lines illustrate portions of the symmetric linear optic that form no part of

(Continued)



the claimed design. In FIGS. 9-12, 15 and 16, the broken line symbolic breaks and accompanying bracket indicate that the appearance of the symmetric linear optic between the break lines forms no part of the claimed design.

1 Claim, 10 Drawing Sheets

(58) Field of Classification Search

CPC G02B 6/0005; G02B 6/0008; G02B 6/001;
 G02B 6/0011; G02B 6/0016; G02B
 6/0018; F21V 2200/10; F21V 2200/15;
 F21V 2200/20; F21V 2200/40

See application file for complete search history.

(56) References Cited

U.S. PATENT DOCUMENTS

3,721,818	A	3/1973	Stahlhut	
4,734,836	A	3/1988	Negishi	
6,575,582	B2	6/2003	Tenmyo	
7,111,964	B2	9/2006	Suehiro et al.	
7,431,480	B2	10/2008	Godo	
7,461,960	B2	12/2008	Opolka et al.	
D632,419	S *	2/2011	Ng	D26/78
7,942,559	B2	5/2011	Holder et al.	
D643,148	S *	8/2011	Jabra	D26/120
D644,780	S *	9/2011	Jabra	D26/120
8,430,538	B2	4/2013	Holder et al.	
8,449,150	B2	5/2013	Allen et al.	
8,506,122	B2	8/2013	Bak et al.	
8,525,206	B2	9/2013	Blumel et al.	
D701,990	S *	4/2014	Rodgers	D26/76
8,777,457	B2	7/2014	Holder et al.	
8,814,392	B1	8/2014	Lipowsky et al.	

8,864,346	B2	10/2014	Chinniah et al.	
8,870,417	B2	10/2014	Pickard et al.	
8,915,611	B2	12/2014	Zhang	
D738,030	S *	9/2015	Martins	D26/118
D738,563	S *	9/2015	Martins	D26/118
9,291,330	B2	3/2016	Yang et al.	
9,482,394	B2	11/2016	Holder et al.	
9,488,330	B2	11/2016	Pickard et al.	
D787,732	S *	5/2017	Parker	D26/76
9,683,715	B2	6/2017	Min	
9,714,754	B2	7/2017	Spinger et al.	
9,765,944	B2	9/2017	Dureiko	
D806,939	S *	1/2018	Klus	D26/142
D808,577	S *	1/2018	Klus	D26/138
9,857,052	B2	1/2018	Mallory et al.	
D818,627	S *	5/2018	Santoro	D26/90
D819,250	S *	5/2018	Ji	D26/76
10,190,746	B1	1/2019	Mao et al.	
D870,956	S *	12/2019	Mier-Langner	D26/138
10,641,442	B2	5/2020	Kang	
2003/0007359	A1	1/2003	Sugawara et al.	
2012/0113621	A1	5/2012	Lee et al.	
2014/0376220	A1	12/2014	Shen et al.	
2015/0062898	A1	3/2015	Rizkin et al.	
2015/0345738	A1	12/2015	Zhang et al.	
2015/0362153	A1	12/2015	Ming et al.	
2016/0238202	A1	8/2016	Mallory et al.	
2017/0167665	A1 *	6/2017	Germain	F21S 4/28
2019/0063694	A1	2/2019	Kang	

OTHER PUBLICATIONS

U.S. Appl. No. 16/403,928, "Non-Final Office Action", dated Jul. 24, 2020, 13 pages.
 U.S. Appl. No. 16/403,928, Notice of Allowance, dated Nov. 13, 2020, 10 pages.

* cited by examiner

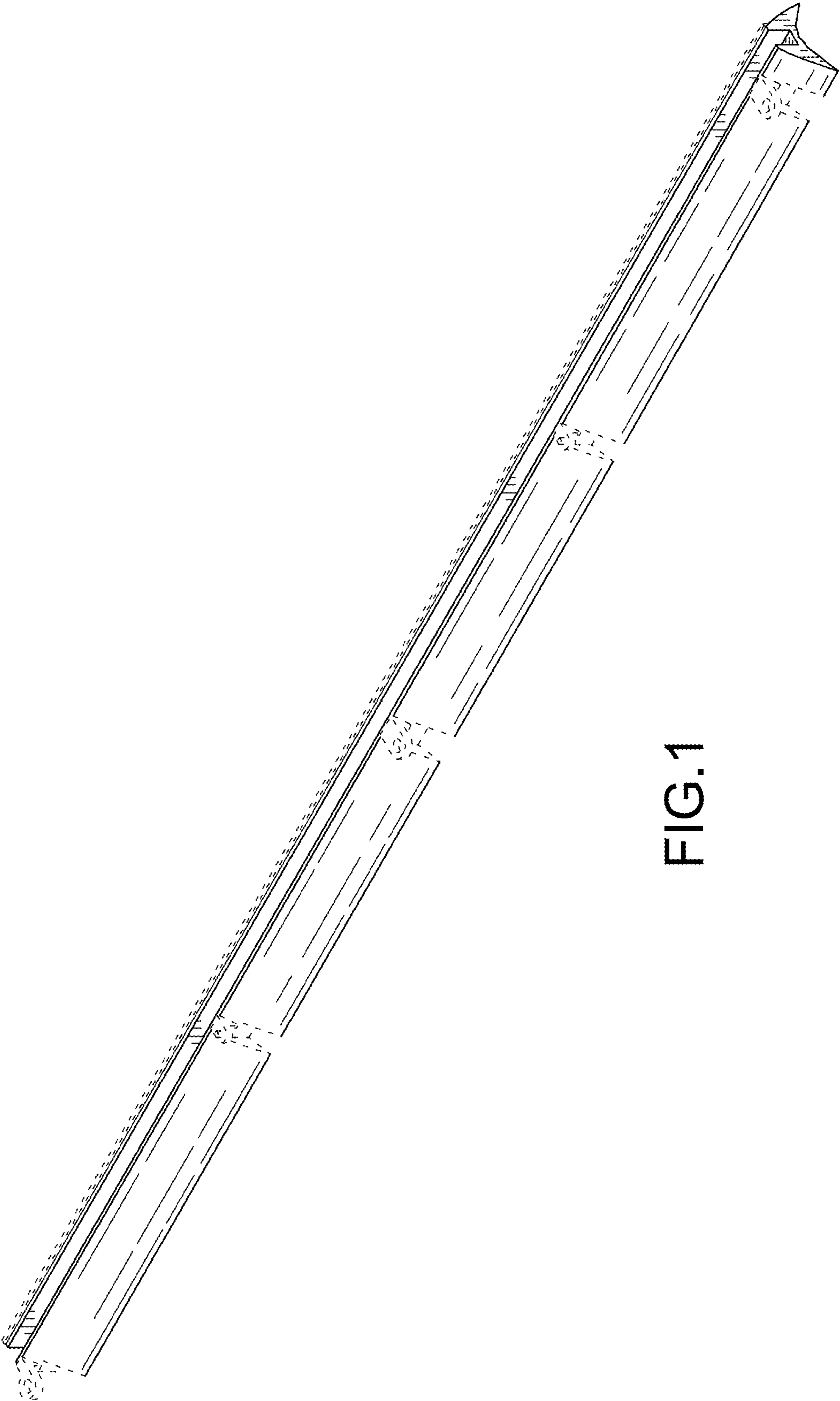


FIG.1

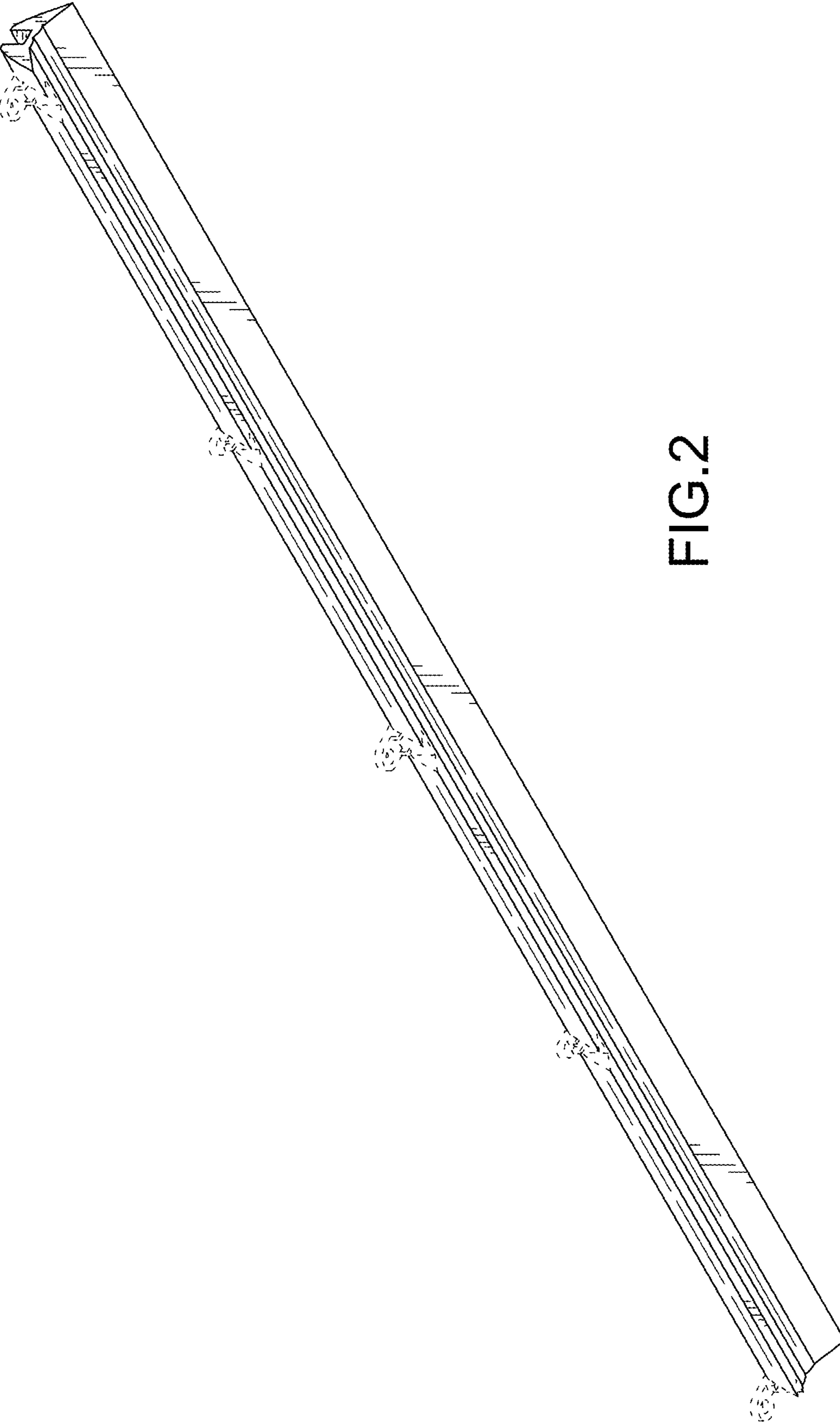


FIG.2

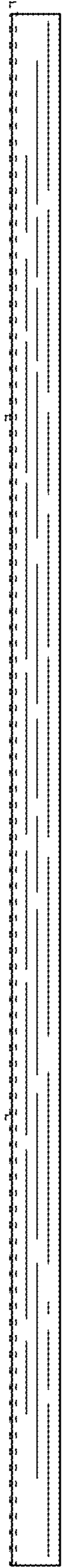


FIG.3

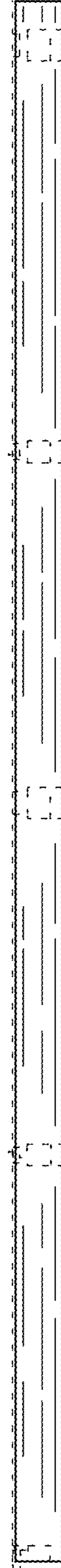


FIG.4

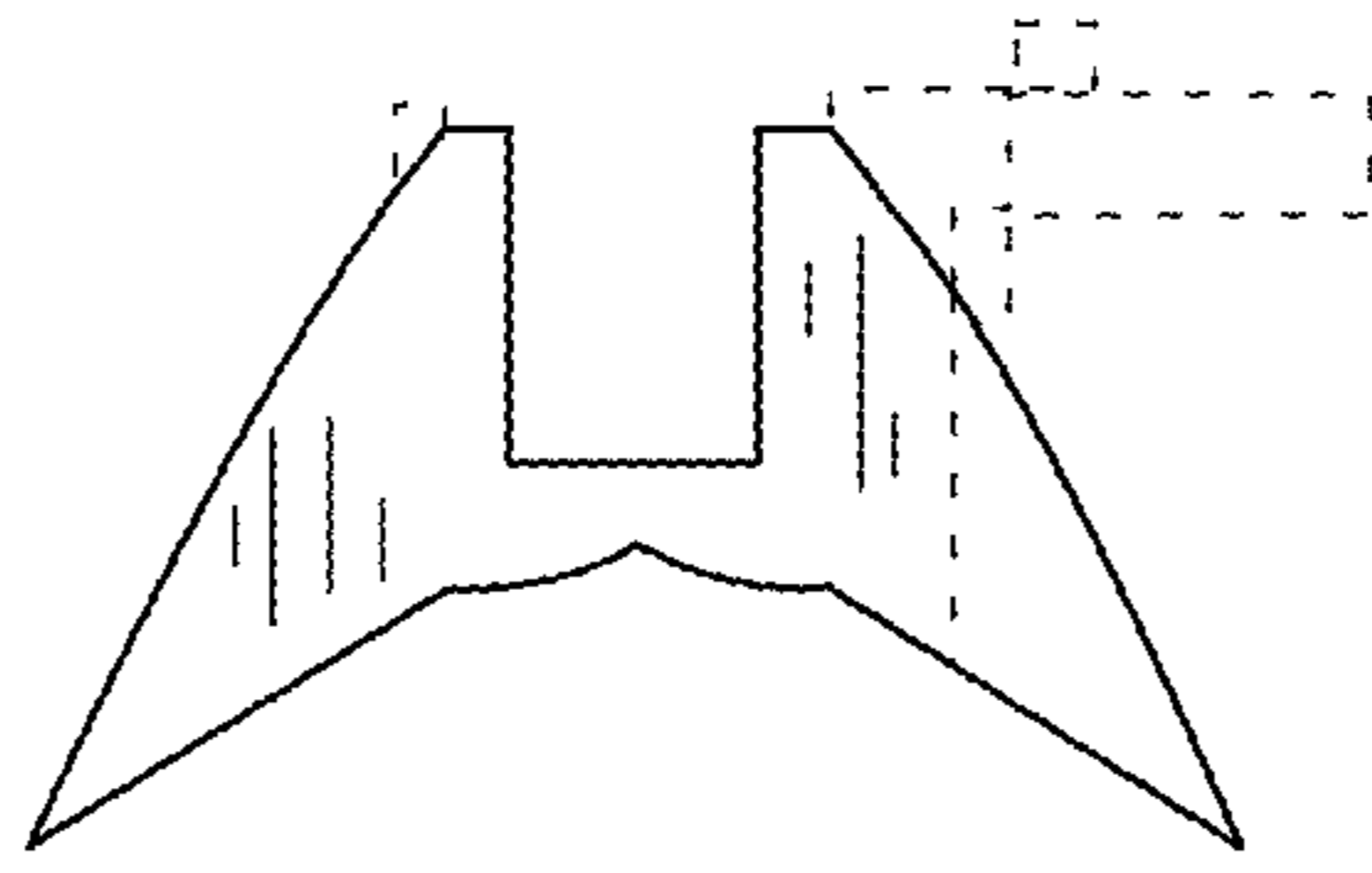


FIG. 5

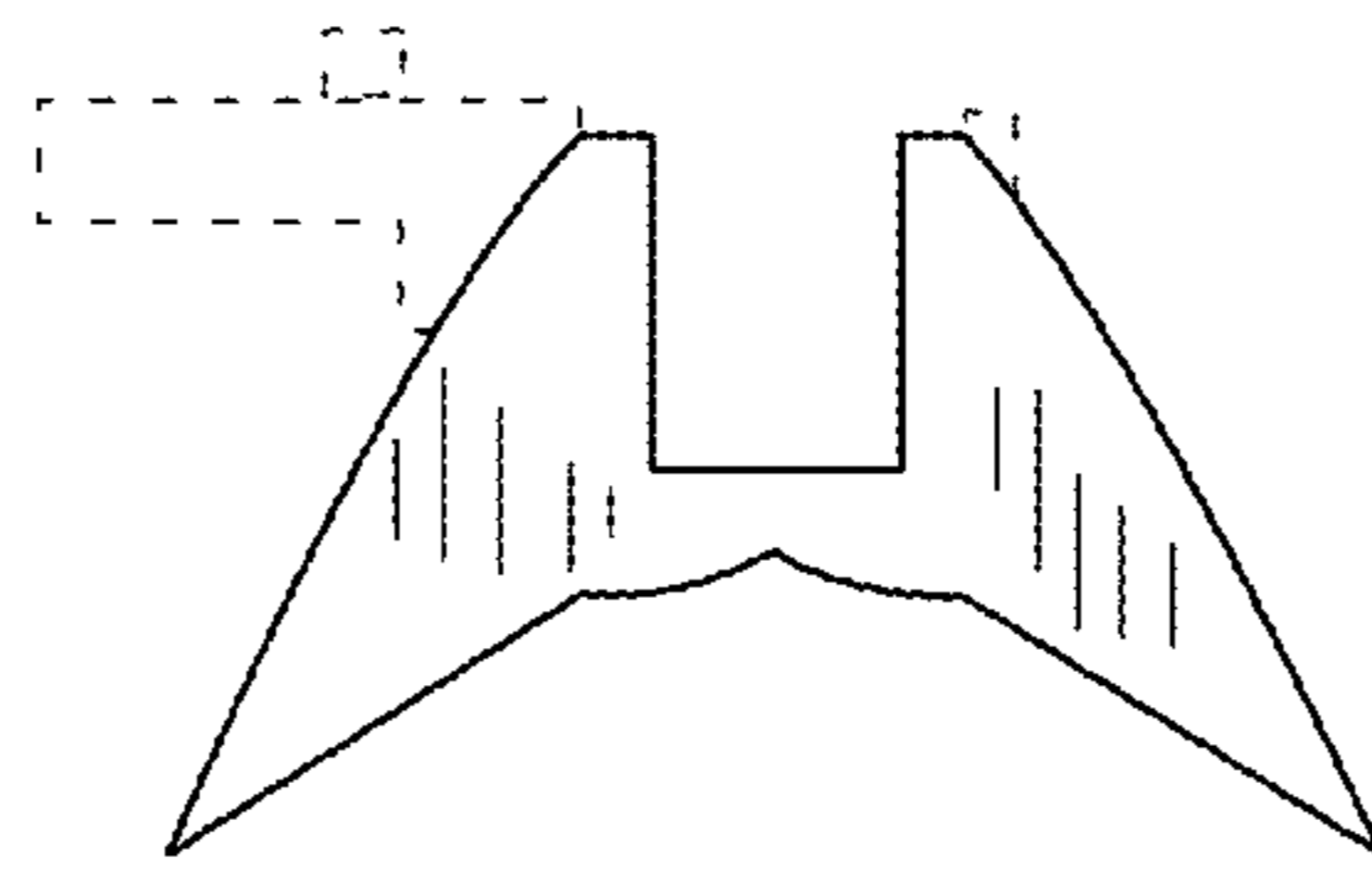


FIG. 6

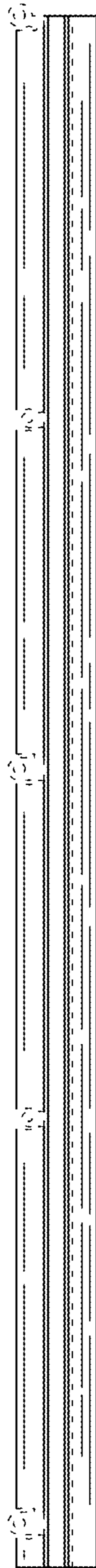


FIG. 7

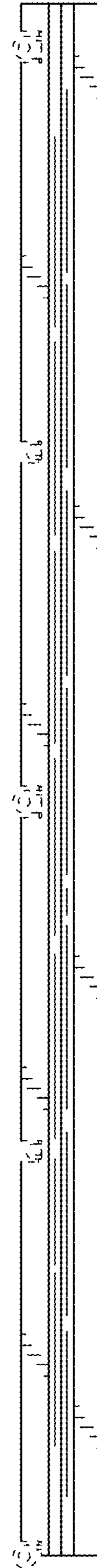


FIG. 8

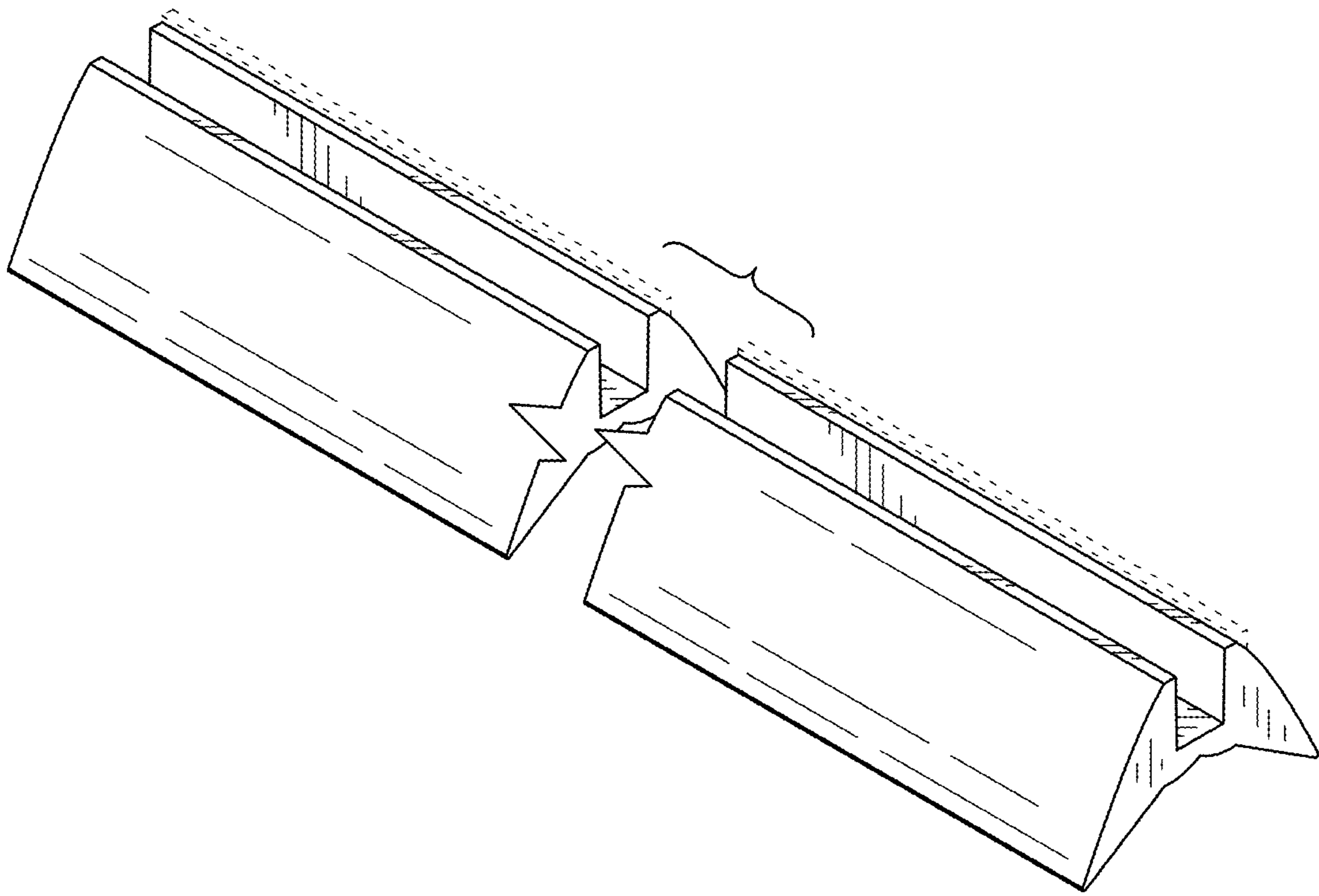


FIG.9

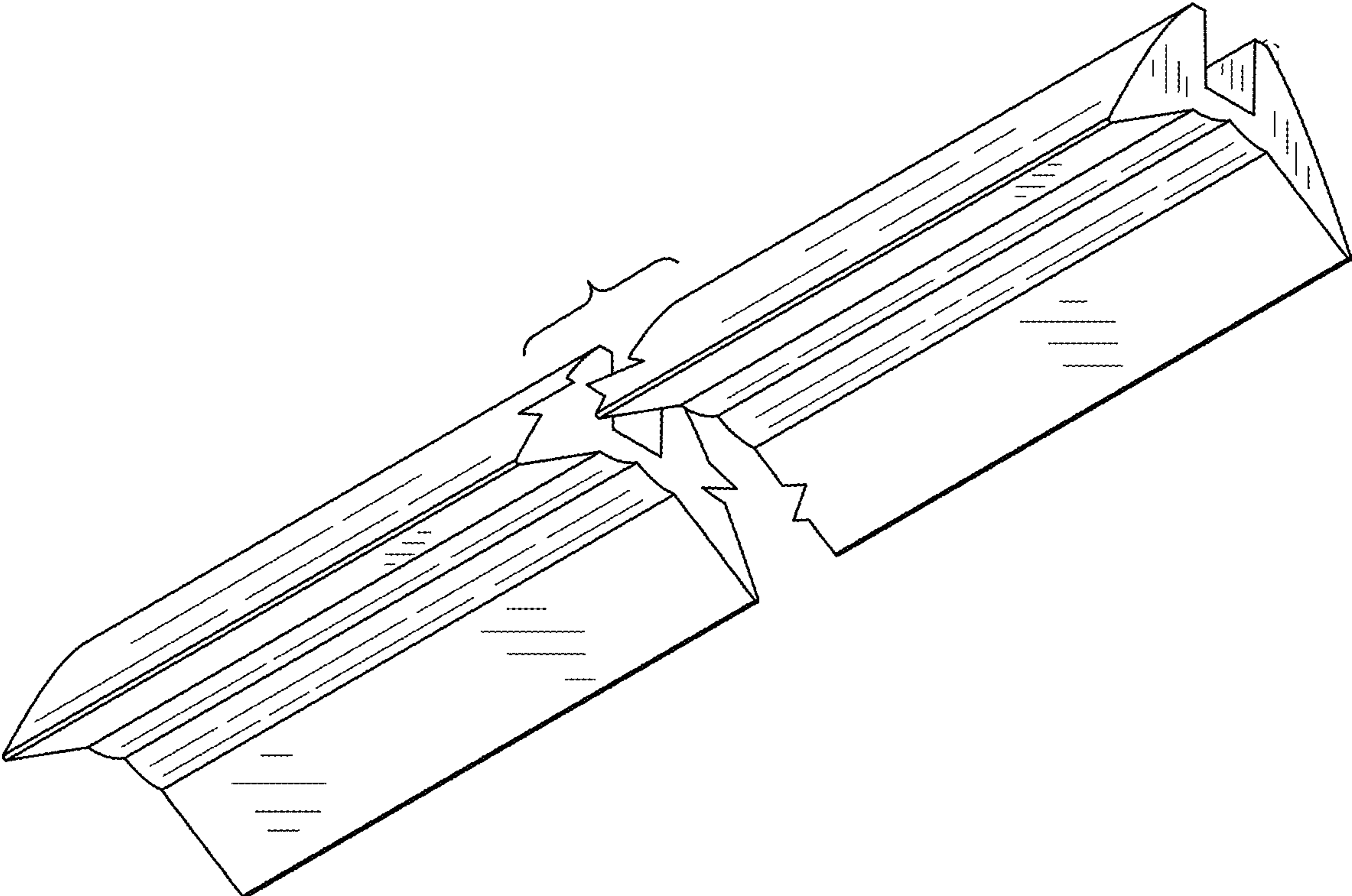


FIG.10

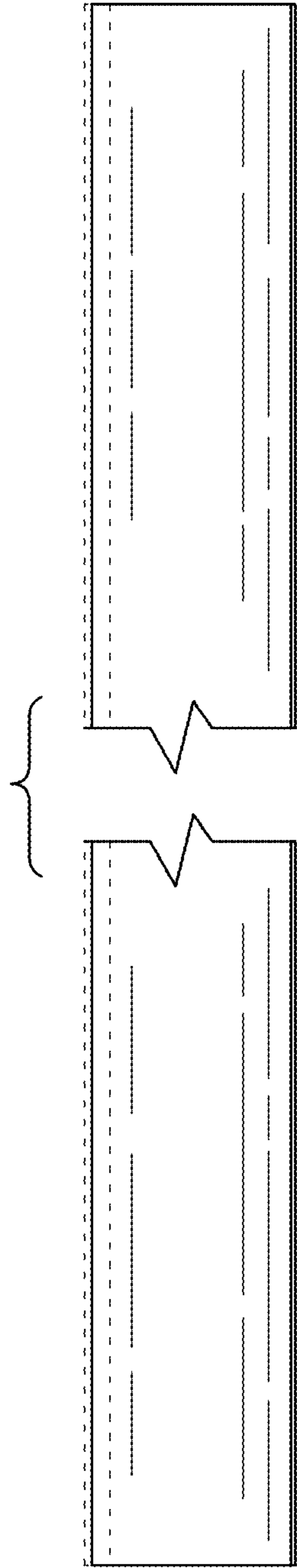


FIG. 11

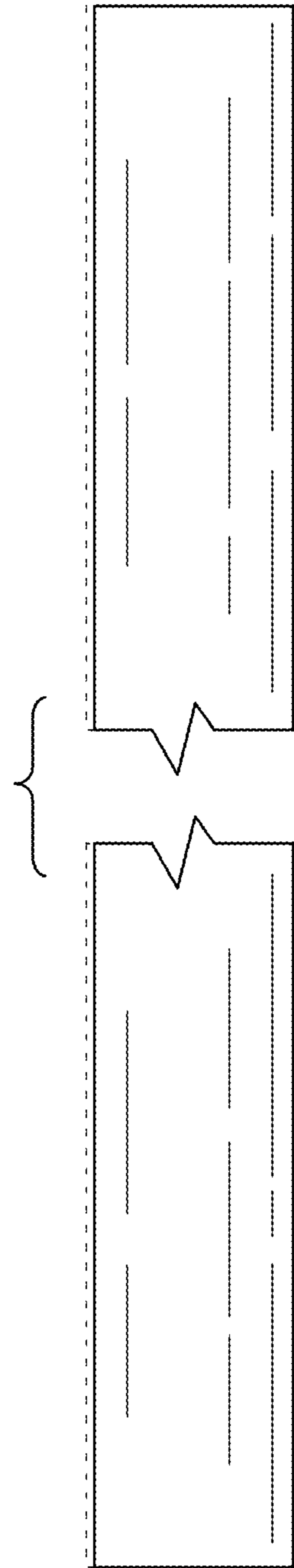


FIG. 12

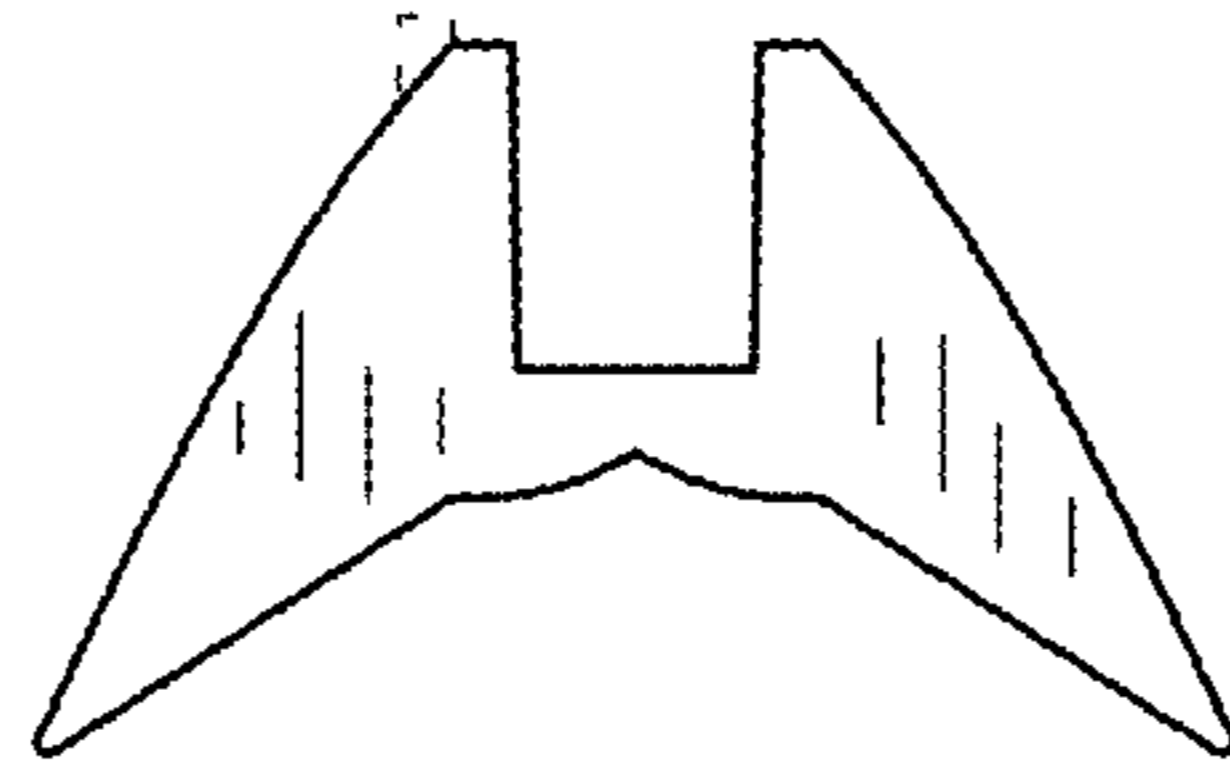


FIG.13

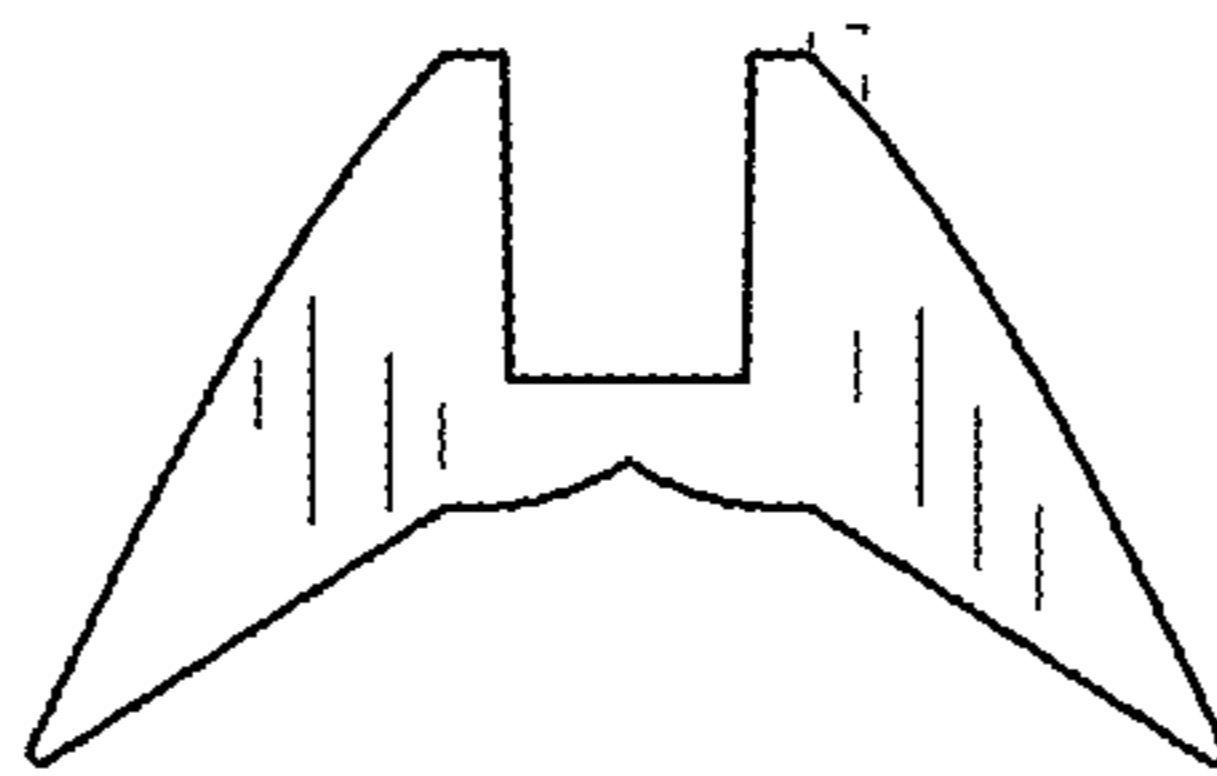


FIG.14

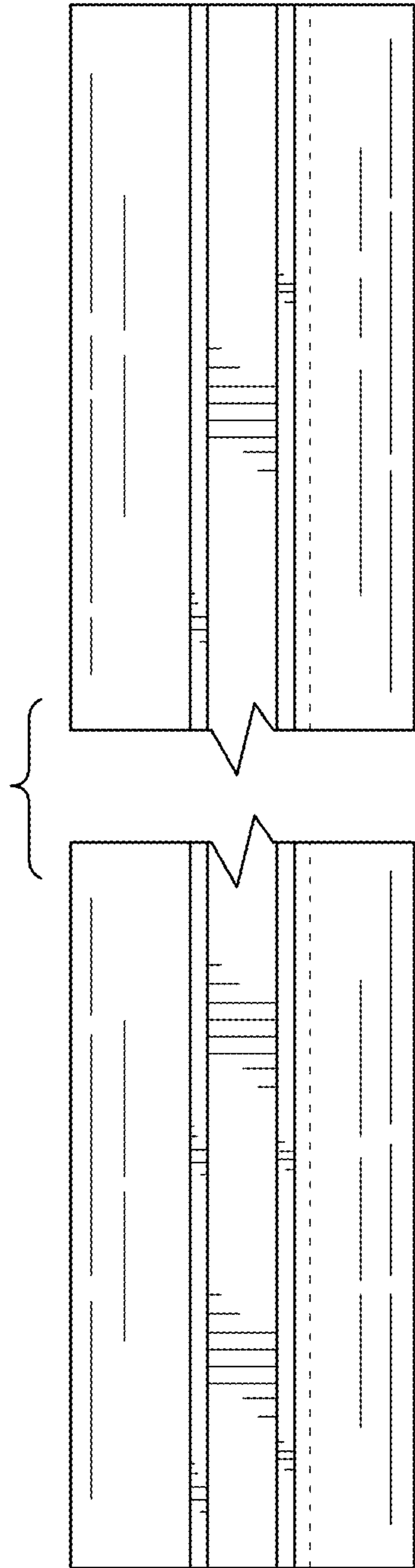


FIG.15

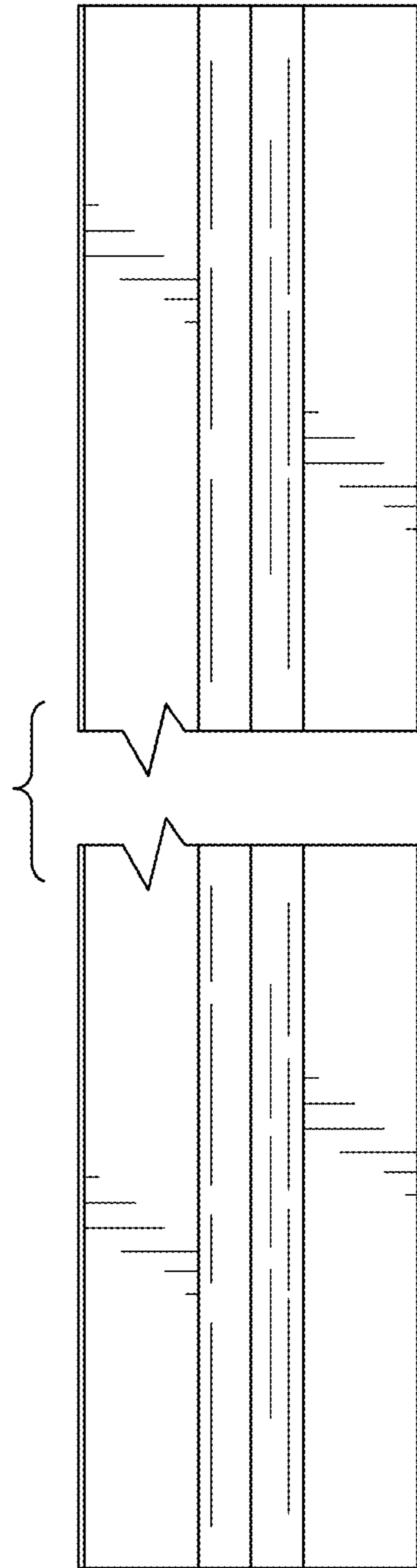


FIG.16