



US00D927036S

(12) **United States Design Patent**
Wu et al.

(10) **Patent No.:** **US D927,036 S**

(45) **Date of Patent:** **** Aug. 3, 2021**

(54) **LED HIGH-POLE LAMP**

(71) Applicant: **Dong-Wei Wu**, Shenzhen (CN)

(72) Inventors: **Dong-Wei Wu**, Shenzhen (CN);
Hua-Dong Wu, Shenzhen (CN);
Wan-Bang Luo, Shenzhen (CN)

(**) Term: **15 Years**

(21) Appl. No.: **29/688,436**

(22) Filed: **Apr. 22, 2019**

(30) **Foreign Application Priority Data**

Mar. 5, 2019 (CN) 201930087103.X

(51) **LOC (13) Cl.** **26-05**

(52) **U.S. Cl.**
USPC **D26/71**

(58) **Field of Classification Search**
USPC D26/24, 63, 72, 74, 75-78, 80-92, 118,
D26/120, 122, 142, 149, 71; D13/134;
D10/111-115
CPC F21V 23/003; F21V 23/023; F21V 29/71;
F21V 29/713; F21V 29/717; F21V 29/73;
F21V 29/74; F21V 29/745; F21V 29/75;
F21V 29/76; F21V 5/00; F21V 1/02;
F21Y 2115/10; F21S 8/002; F21S 8/04;
F21S 8/026

See application file for complete search history.

(56) **References Cited**

U.S. PATENT DOCUMENTS

D207,930 S * 6/1967 Kotler D10/111
D444,900 S * 7/2001 Stanway D26/72
D465,868 S * 11/2002 Gaskins D26/72
D490,925 S * 6/2004 Wilmotte D26/63
D539,464 S * 3/2007 Dworschak D26/63

D678,580 S * 3/2013 Rizzi D26/71
D713,092 S * 9/2014 Smith D26/118
D729,432 S * 5/2015 Newton D26/92
D776,858 S * 1/2017 Ye D26/92
D811,641 S * 2/2018 Sekowski D26/71
D831,261 S * 10/2018 Ding D26/88
D857,973 S * 8/2019 Joiris D26/113

OTHER PUBLICATIONS

HMLED 4 (available online) Retrieved from the internet Oct. 20, 2020 from URL: <https://www.acuitybrands.com/products/outdoor/area-site#t=ablProducts&sort=relevancy&layout=card&numberOfResults=50>.*

* cited by examiner

Primary Examiner — Kevin K Rudzinski

Assistant Examiner — Richard Kearney

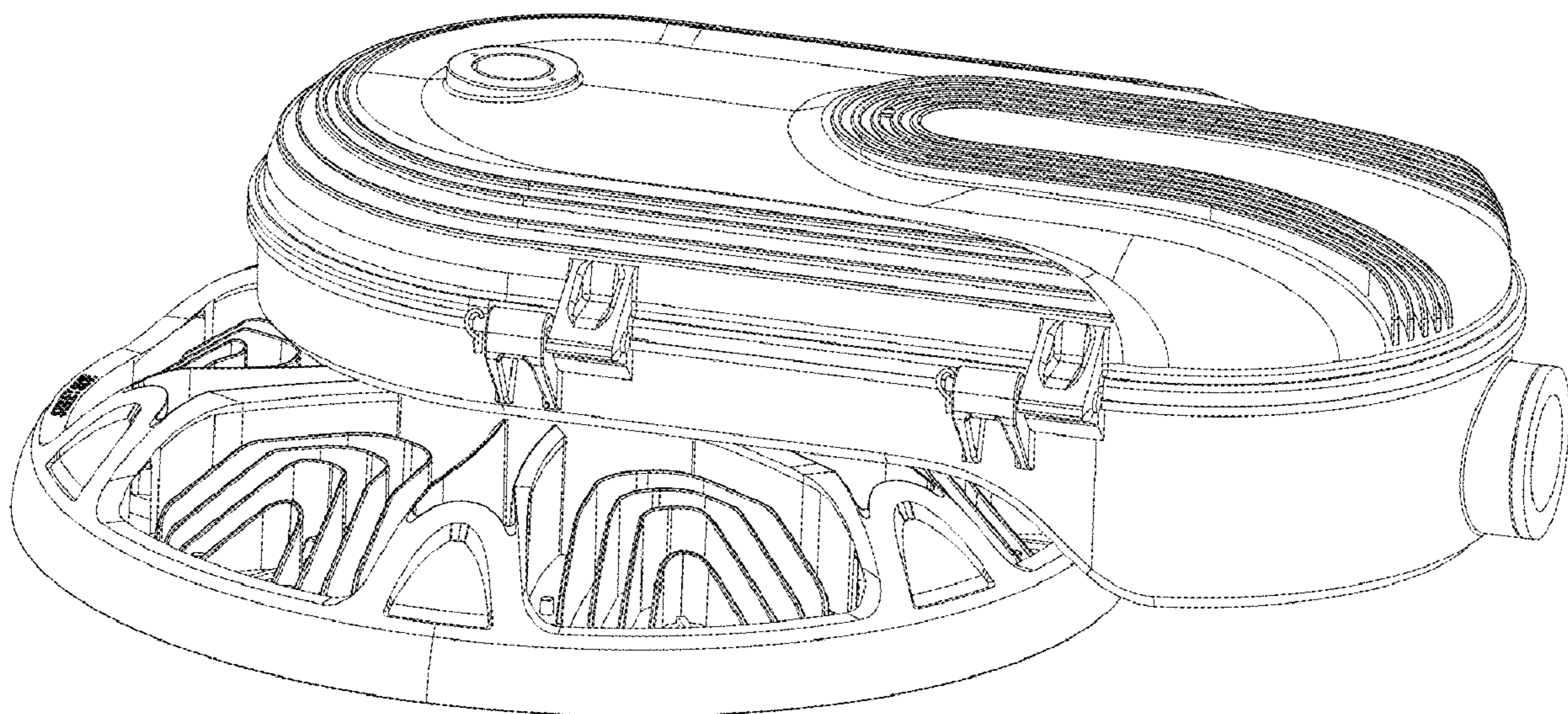
(57) **CLAIM**

The ornamental design for an LED high-pole lamp, as shown and described.

DESCRIPTION

FIG. 1 is a front elevational view of the LED high-pole lamp;
FIG. 2 is a rear elevational view thereof;
FIG. 3 is a left side elevational view thereof;
FIG. 4 is a right side elevational view thereof;
FIG. 5 is a top plan view thereof;
FIG. 6 is a bottom plan view thereof;
FIG. 7 is a perspective view projecting toward the rear thereof; and,
FIG. 8 is another perspective view projecting toward the rear thereof.
The broken lines illustrate portions of the LED high-pole lamp that form no part of the claimed design.

1 Claim, 8 Drawing Sheets



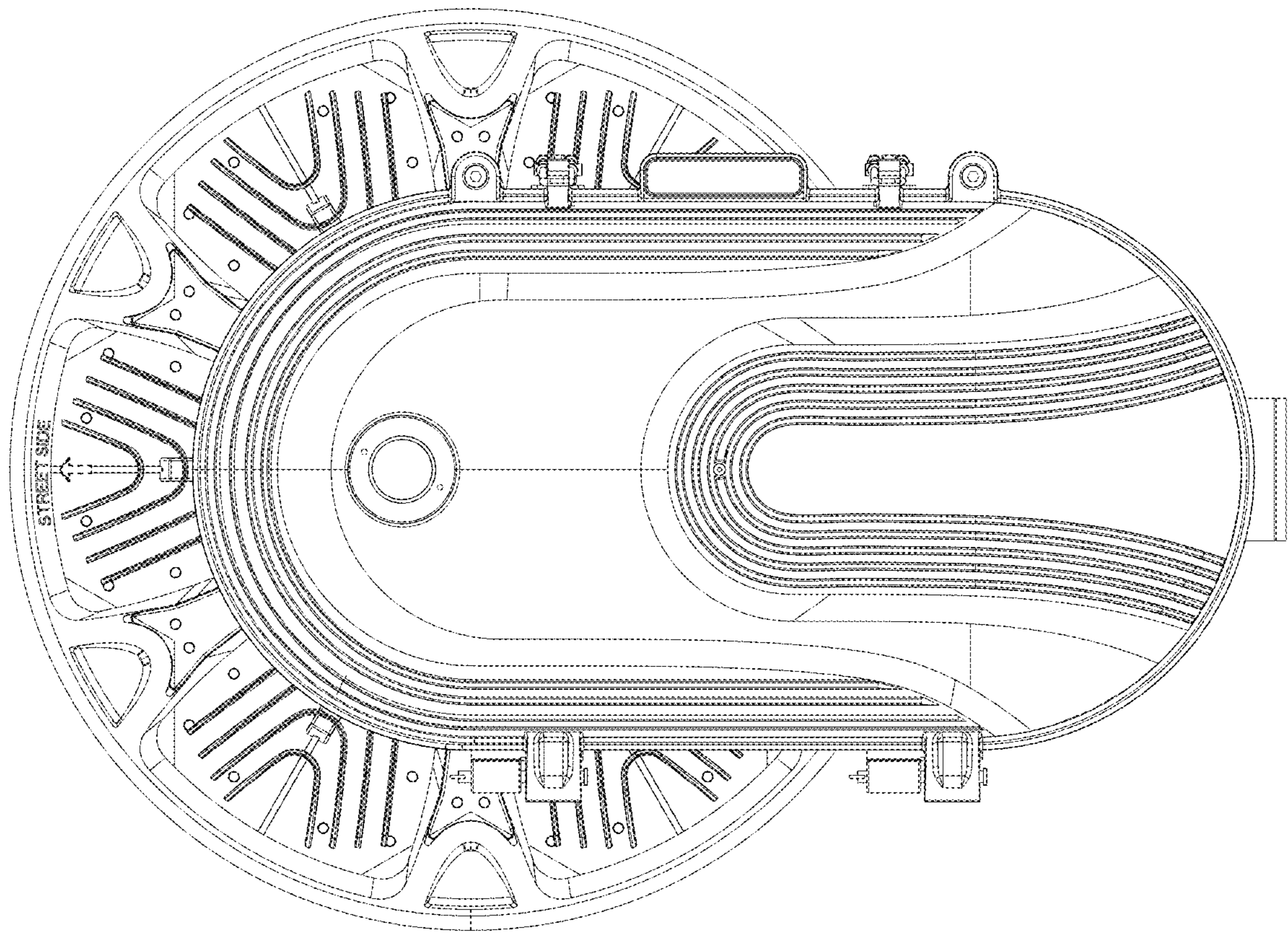


FIG. 1

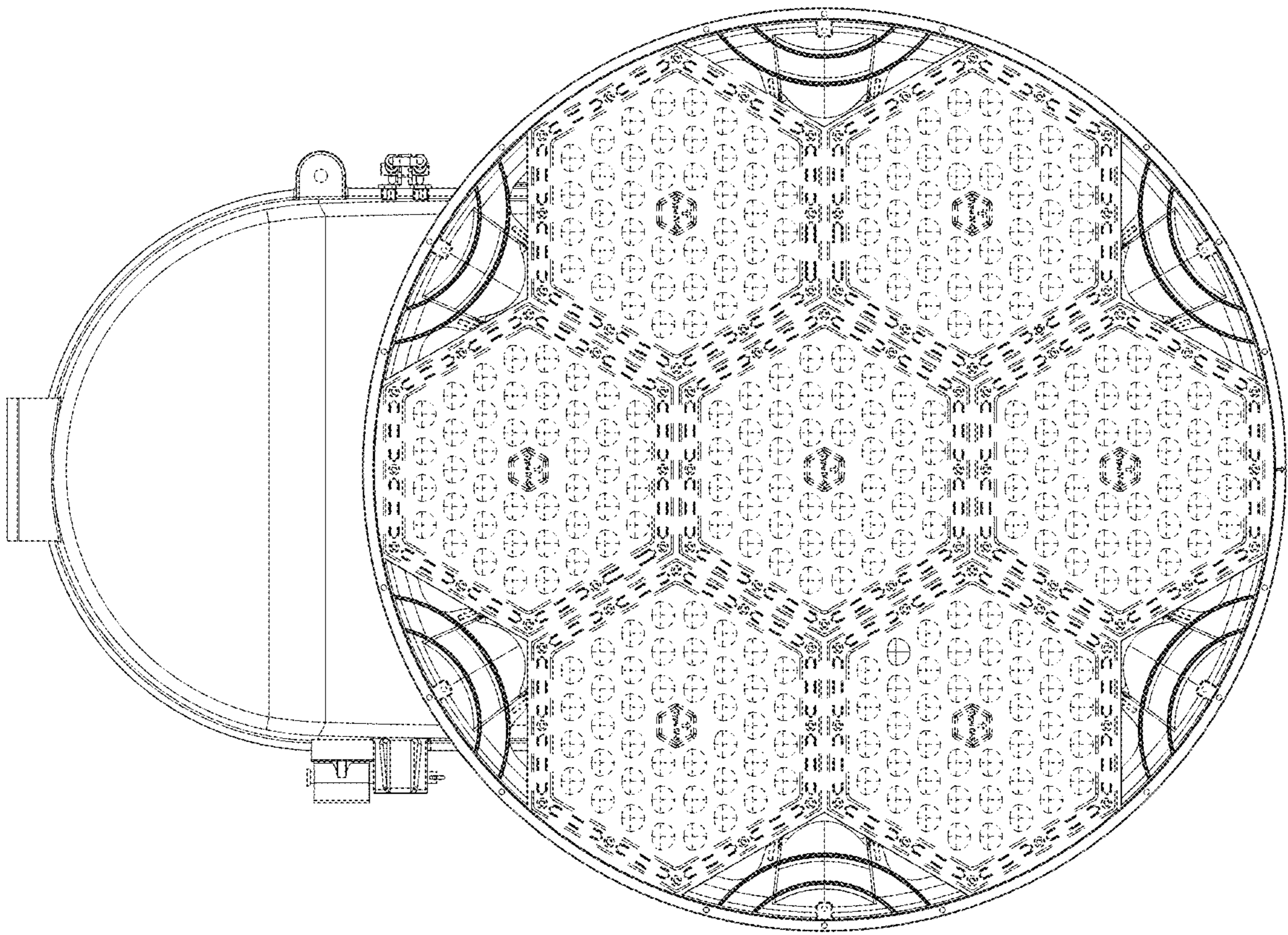


FIG. 2

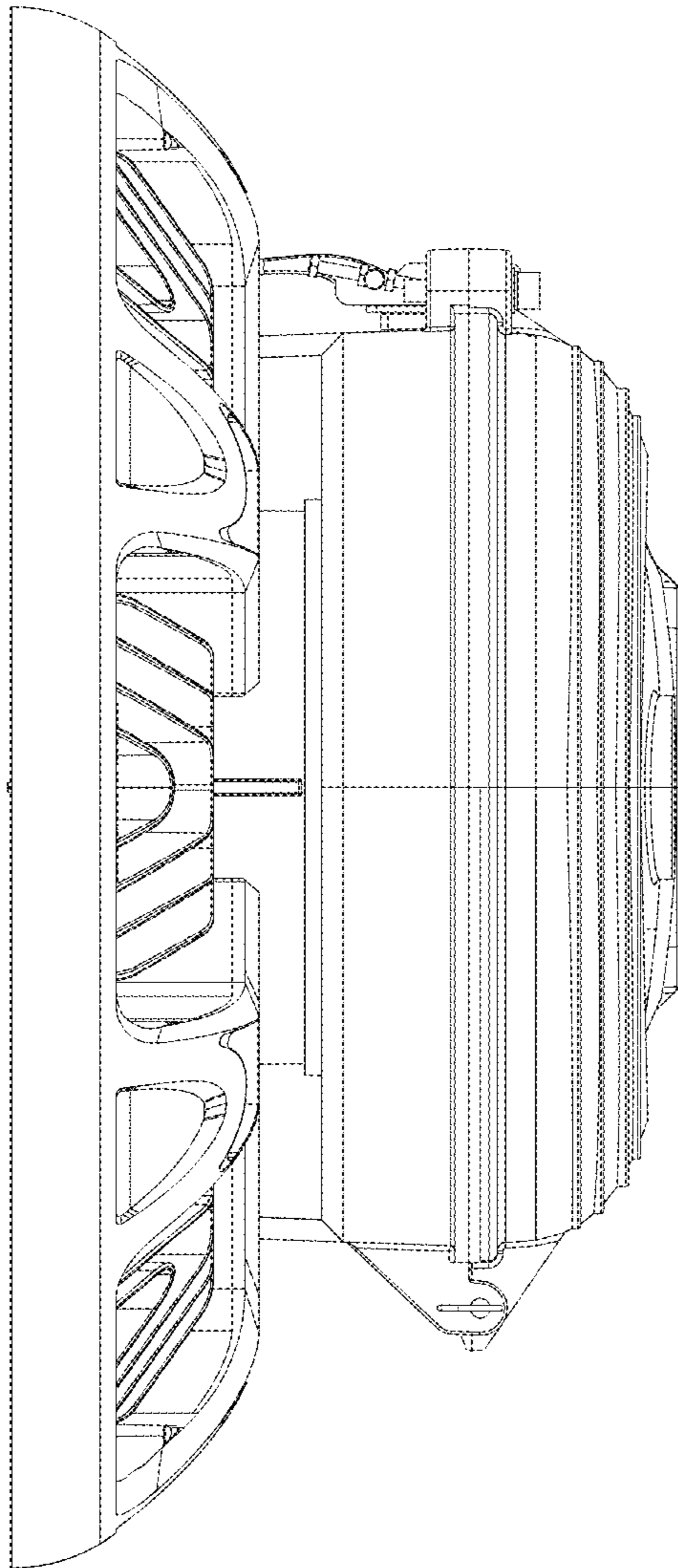


FIG. 3

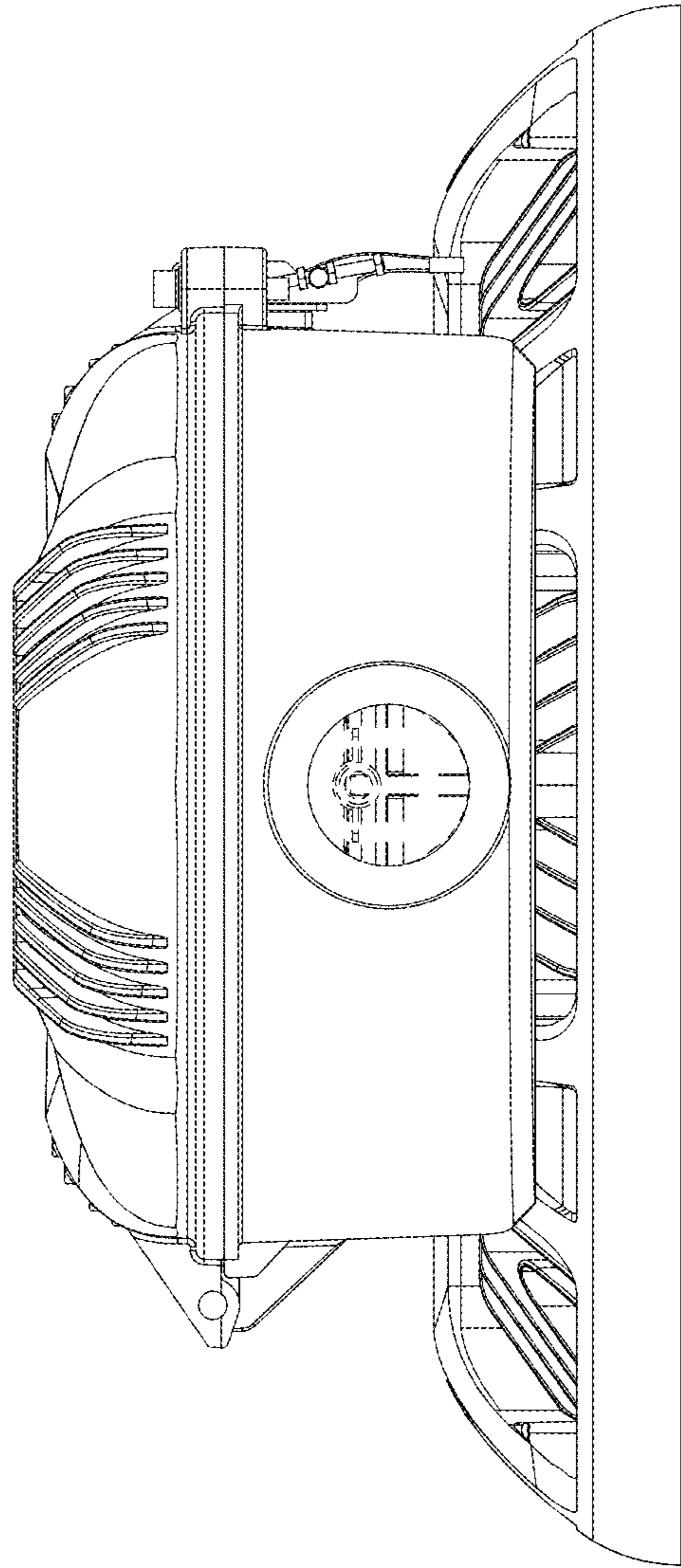


FIG. 4

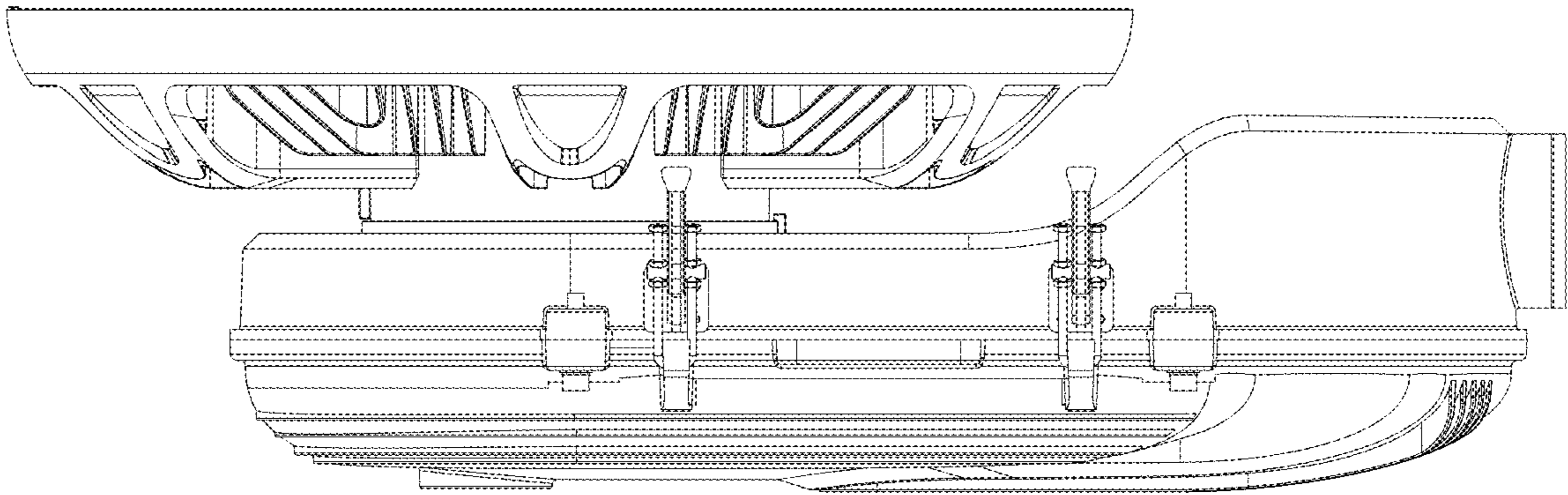


FIG. 5

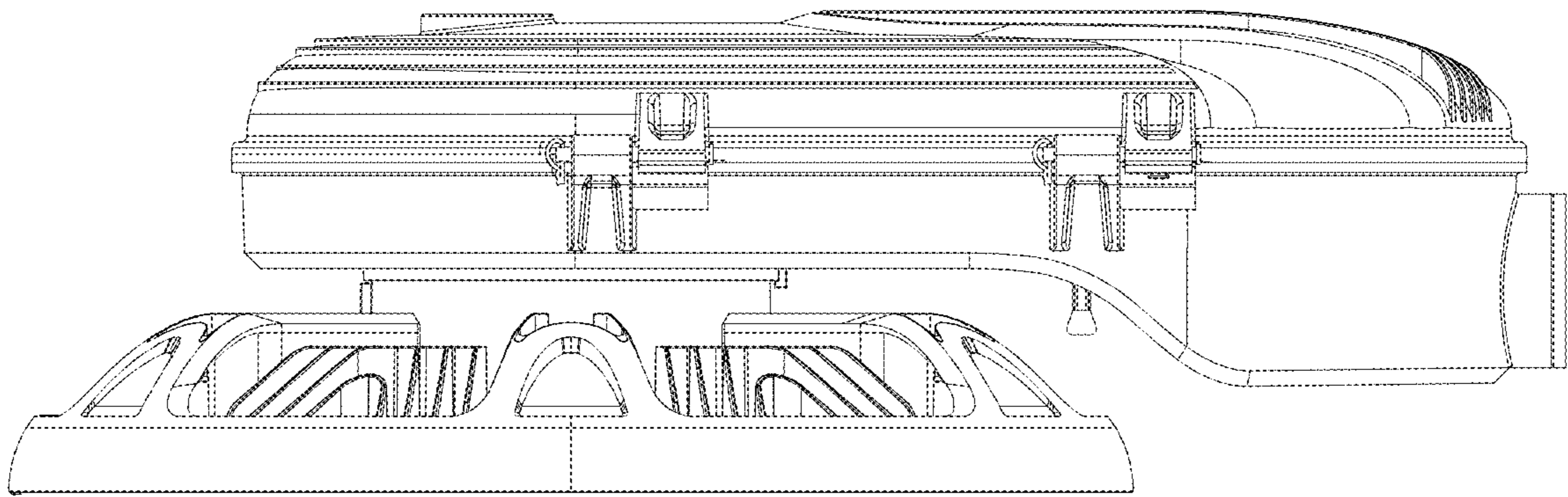


FIG. 6

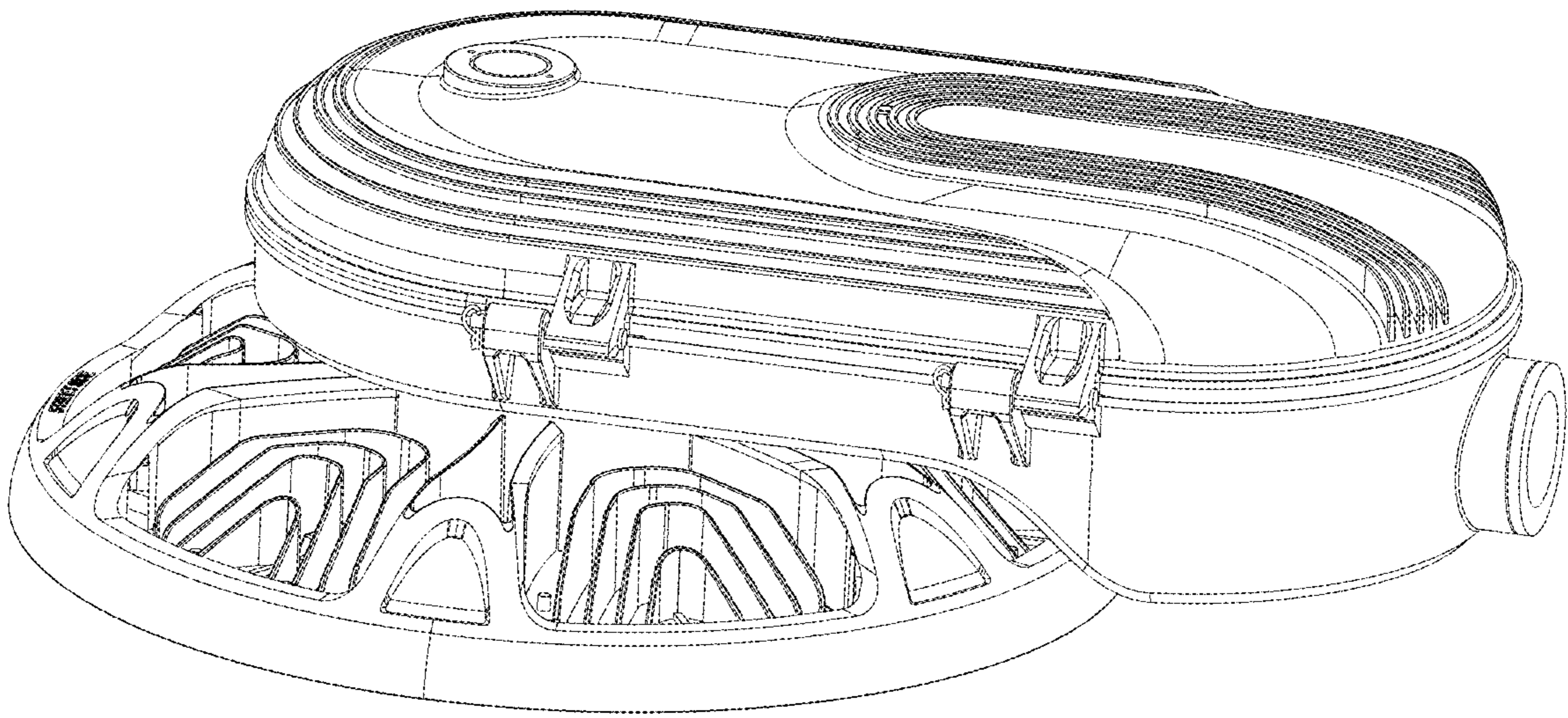


FIG. 7

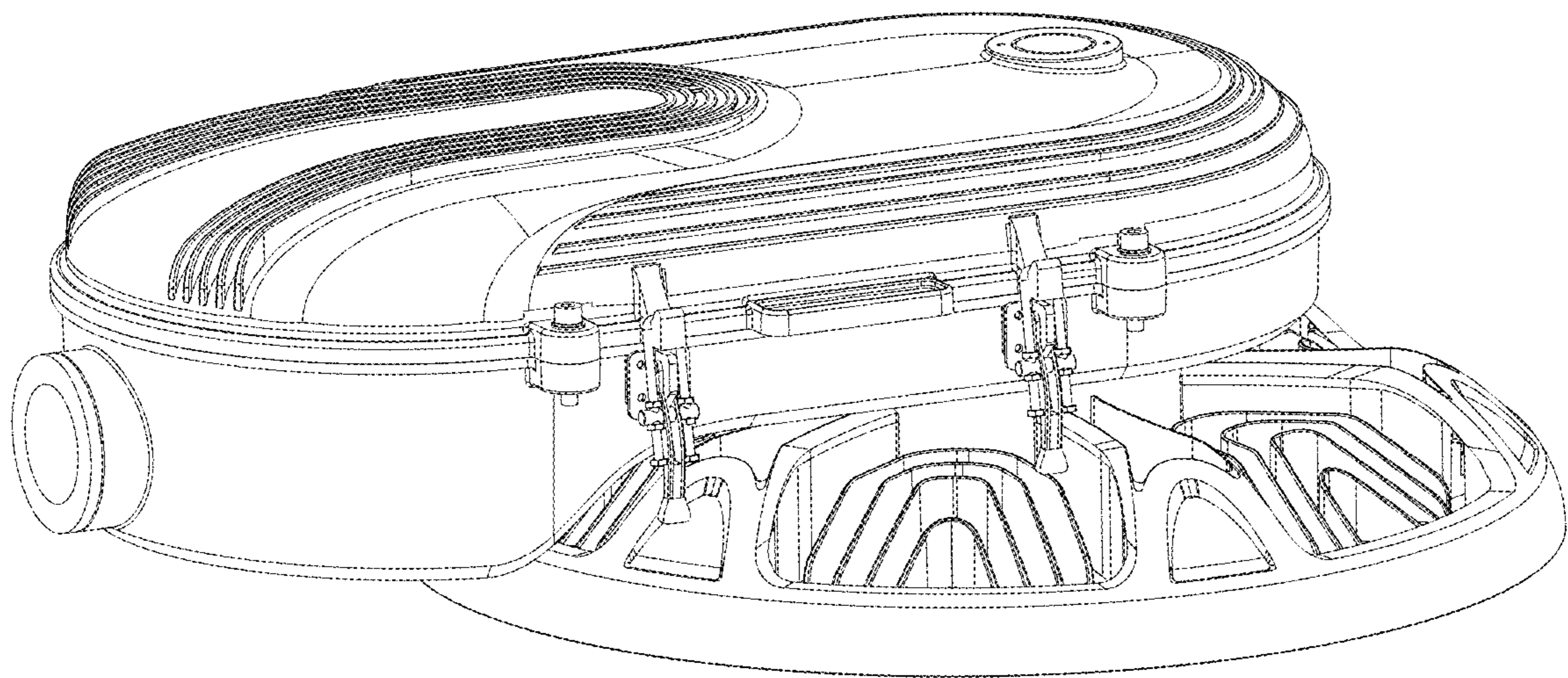


FIG. 8

UNITED STATES PATENT AND TRADEMARK OFFICE
CERTIFICATE OF CORRECTION

PATENT NO. : D927,036 S
APPLICATION NO. : 29/688436
DATED : August 3, 2021
INVENTOR(S) : Dong-Wei Wu, Hua-Dong Wu and Wan-Bang Luo

Page 1 of 1

It is certified that error appears in the above-identified patent and that said Letters Patent is hereby corrected as shown below:

On the Title Page

In item (71), please change the Applicant's name from "Dong-Wei Wu" to --Shenzhen Huadian Lighting Co., Ltd.--

Signed and Sealed this
Twelfth Day of April, 2022



Drew Hirshfeld
*Performing the Functions and Duties of the
Under Secretary of Commerce for Intellectual Property and
Director of the United States Patent and Trademark Office*