



US00D927034S

(12) **United States Design Patent**
Pavitt et al.

(10) **Patent No.:** **US D927,034 S**
(45) **Date of Patent:** **** Aug. 3, 2021**

(54) **LIGHTING ASSEMBLY**

DESCRIPTION

(71) Applicants: **Adrian V. Pavitt**, Newtown, PA (US);
Timothy J. Lawlor, Philadelphia, PA (US)
(72) Inventors: **Adrian V. Pavitt**, Newtown, PA (US);
Timothy J. Lawlor, Philadelphia, PA (US)
(73) Assignee: **EVENLITE, INC.**, Trevese, PA (US)
(**) Term: **15 Years**
(21) Appl. No.: **29/691,620**
(22) Filed: **May 17, 2019**
(51) **LOC (13) Cl.** **26-03**
(52) **U.S. Cl.**
USPC **D26/65**
(58) **Field of Classification Search**
USPC D26/61, 63, 64, 65, 118, 44; D10/114.2
(Continued)

(56) **References Cited**

U.S. PATENT DOCUMENTS

D347,485 S * 5/1994 Kira D26/63
D440,673 S * 4/2001 Handsaker D26/65
(Continued)

OTHER PUBLICATIONS

Dual Lite "EV4D-02WAL Series Architectural LED Emergency Light," Specsheat Mar. 2019, downloaded from https://hubbellcdn.com/specsheet/DL_EV4D-02WAL_SPEC.pdf.
(Continued)

Primary Examiner — Brian N. Vinson
(74) *Attorney, Agent, or Firm* — Fisherbroyles, LLP

(57) **CLAIM**

We claim the ornamental design for a lighting assembly, as shown and described.

FIG. 1 is a perspective view of a lighting assembly in accordance with my new design;
FIG. 2 is a front view of the lighting assembly as shown in FIG. 1;
FIG. 3 is a left side view of the lighting assembly as shown in FIG. 1;
FIG. 4 is a right side view of the lighting assembly as shown in FIG. 1;
FIG. 5 is a top view of the lighting assembly as shown in FIG. 1;
FIG. 6 is a bottom view of the lighting assembly as shown in FIG. 1;
FIG. 7 is a perspective view of the lighting assembly of FIGS. 1-6, shown in an alternate position of use;
FIG. 8 is a front view of the lighting assembly as shown in FIG. 7;
FIG. 9 is a left side view of the lighting assembly as shown in FIG. 7;
FIG. 10 is a right side view of the lighting assembly as shown in FIG. 7;
FIG. 11 is a top view of the lighting assembly as shown in FIG. 7;
FIG. 12 is a bottom view of the lighting assembly as shown in FIG. 7;
FIG. 13 is a perspective view of the lighting assembly of FIGS. 1-12, shown in another alternate position of use;
FIG. 14 is a front view of the lighting assembly as shown in FIG. 13;
FIG. 15 is a left side view of the lighting assembly as shown in FIG. 13;
FIG. 16 is a right side view of the lighting assembly as shown in FIG. 13;
FIG. 17 is a top view of the lighting assembly as shown in FIG. 13;
FIG. 18 is a bottom view of the lighting assembly as shown in FIG. 13;
FIG. 19 is a perspective view of the lighting assembly of FIGS. 1-18, shown in another alternate position of use;
FIG. 20 is a front view of the lighting assembly as shown in FIG. 19;
FIG. 21 is a left side view of the lighting assembly as shown in FIG. 19;

(Continued)

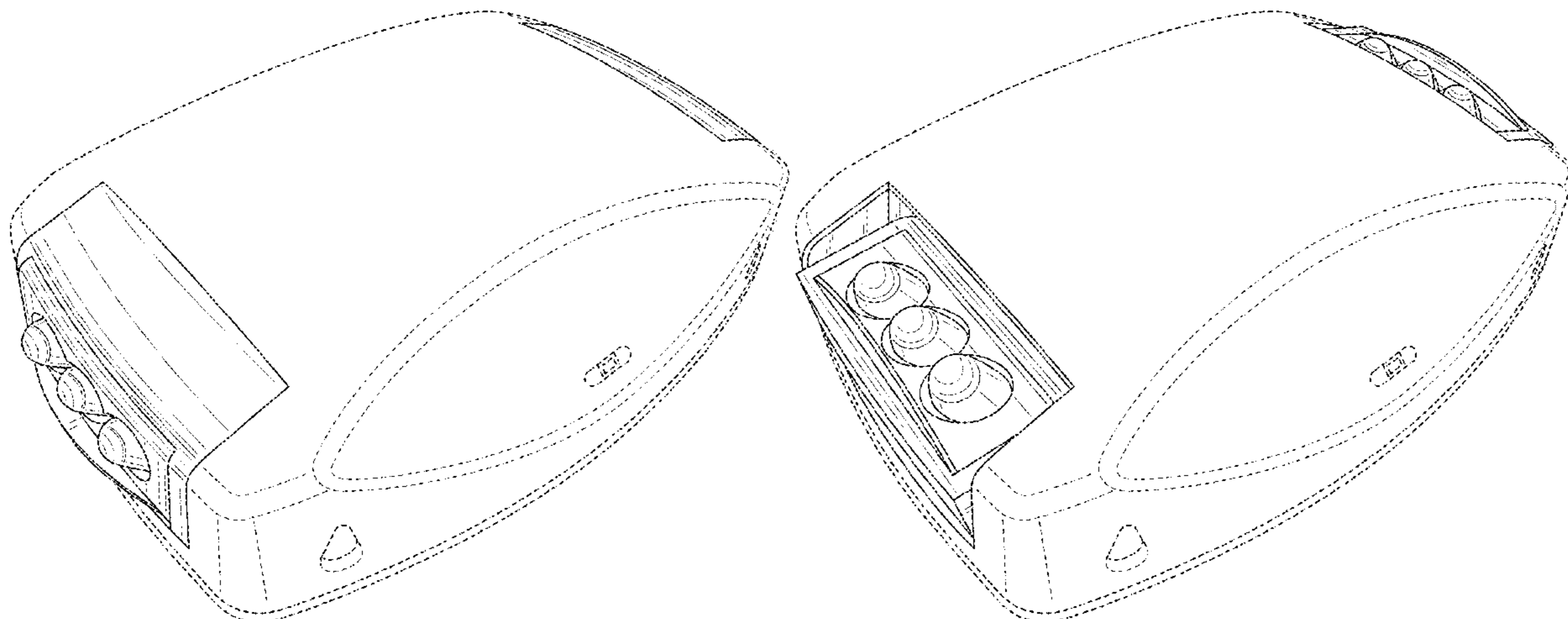


FIG. 22 is a right side view of the lighting assembly as shown in FIG. 19;

FIG. 23 is a top view of the lighting assembly as shown in FIG. 19;

FIG. 24 is a bottom view of the lighting assembly as shown in FIG. 19; and,

FIG. 25 is a rear view of the lighting assembly shown in FIGS. 1-24.

The broken lines in the figures are for illustrative purposes only and form no part of the claimed design.

1 Claim, 25 Drawing Sheets

(58) **Field of Classification Search**

CPC . F21V 7/03; F21V 21/28; F21V 21/26; F21V 21/06; F21V 21/00; F21W 2131/30; F21W 2131/10; F21S 8/024; F21S 6/003; F21S 8/003; F21S 6/00; F21S 8/00; F21F 6/00

See application file for complete search history.

(56) **References Cited**

U.S. PATENT DOCUMENTS

7,182,487 B1 2/2007 Pickard
7,220,014 B2 5/2007 Lay

7,296,908 B1 11/2007 Pickard
D569,023 S * 5/2008 Lee D26/60
D606,237 S * 12/2009 Schmitt D26/65
D607,135 S * 12/2009 Levine D26/61
7,703,952 B2 * 4/2010 Yoon F21V 21/30
362/396
D620,185 S * 7/2010 Schmitt D26/65
D626,443 S * 11/2010 Yu D10/114.2
D629,131 S * 12/2010 Seal D26/60
D655,433 S * 3/2012 Levine D26/65
D678,798 S * 3/2013 Ten Wolde D10/114.2
8,827,485 B2 * 9/2014 Liao F21V 21/30
362/191
9,752,739 B2 9/2017 Holscher
9,995,448 B2 6/2018 Brunelli
2020/0340648 A1 * 10/2020 Pavitt F21V 21/02

OTHER PUBLICATIONS

Je Woo Corporation, Ltd., "Specification Sheet for LED Emergency Lighting (for America market) M4 Series," 2018, 6 pages.
LEDR-2 "LED Adjustable Optics Thermoplastic Emergency Unit," no date, 1 page.
Lithonia Lighting "Quantum Contemporary Commercial LED Emergency Light" Features & Specifications, and Installation Instructions Jan. 15, 2018, downloaded Jun. 2019 from http://www.acuitybrandslighting.com/Library//11/documents/specsheets/elm21_elm21f.pdf.

* cited by examiner

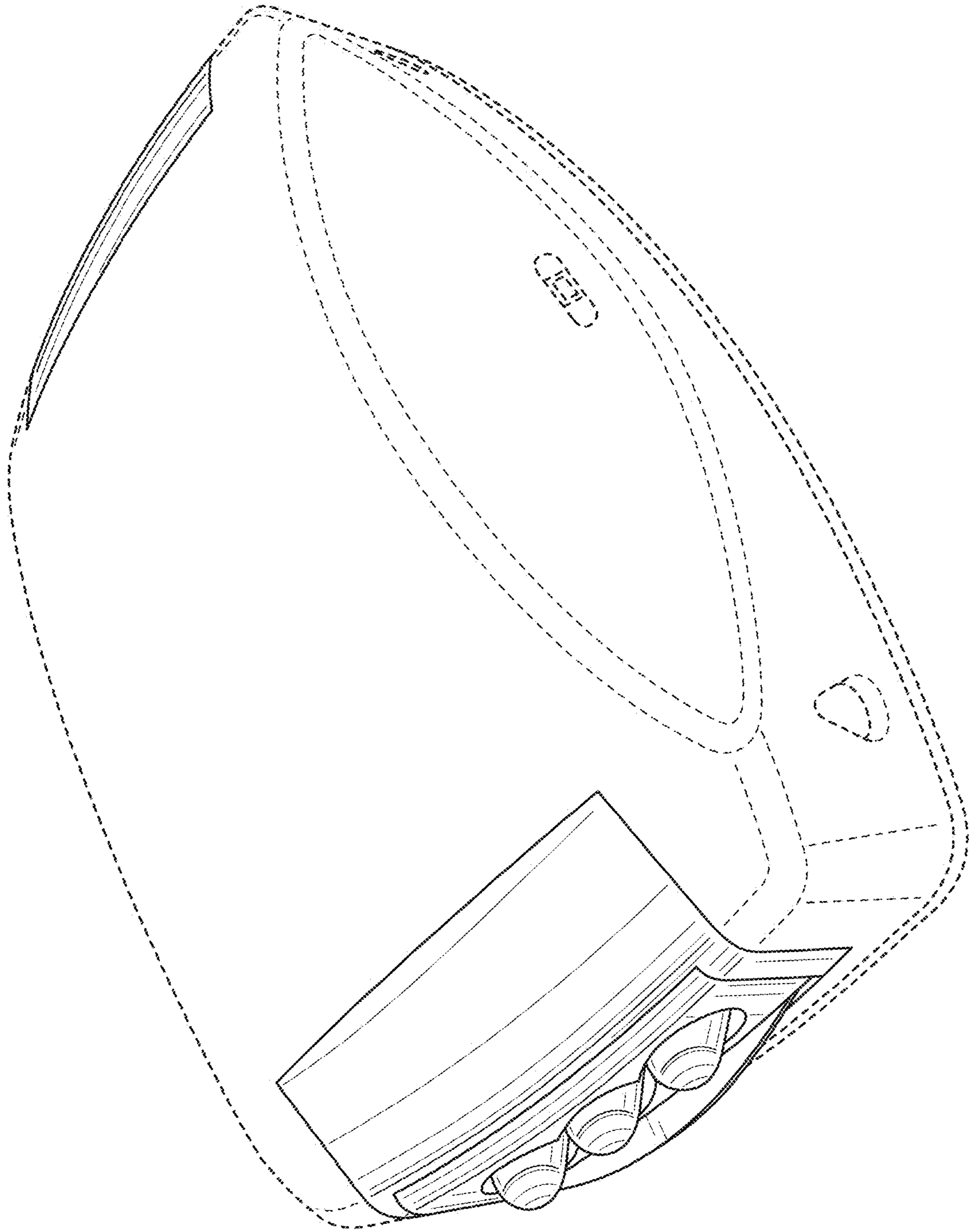


FIG. 1

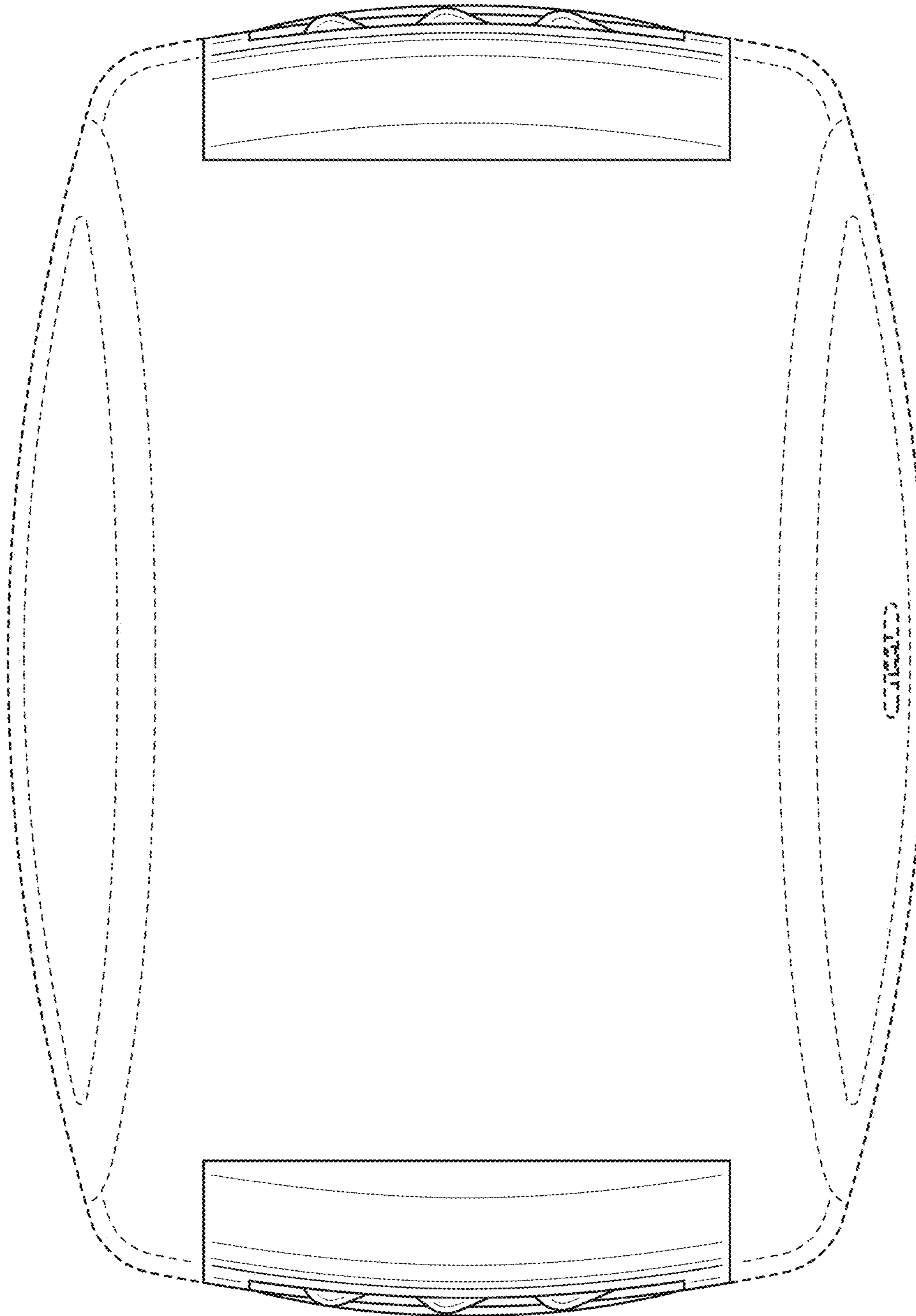


FIG. 2

FIG. 2

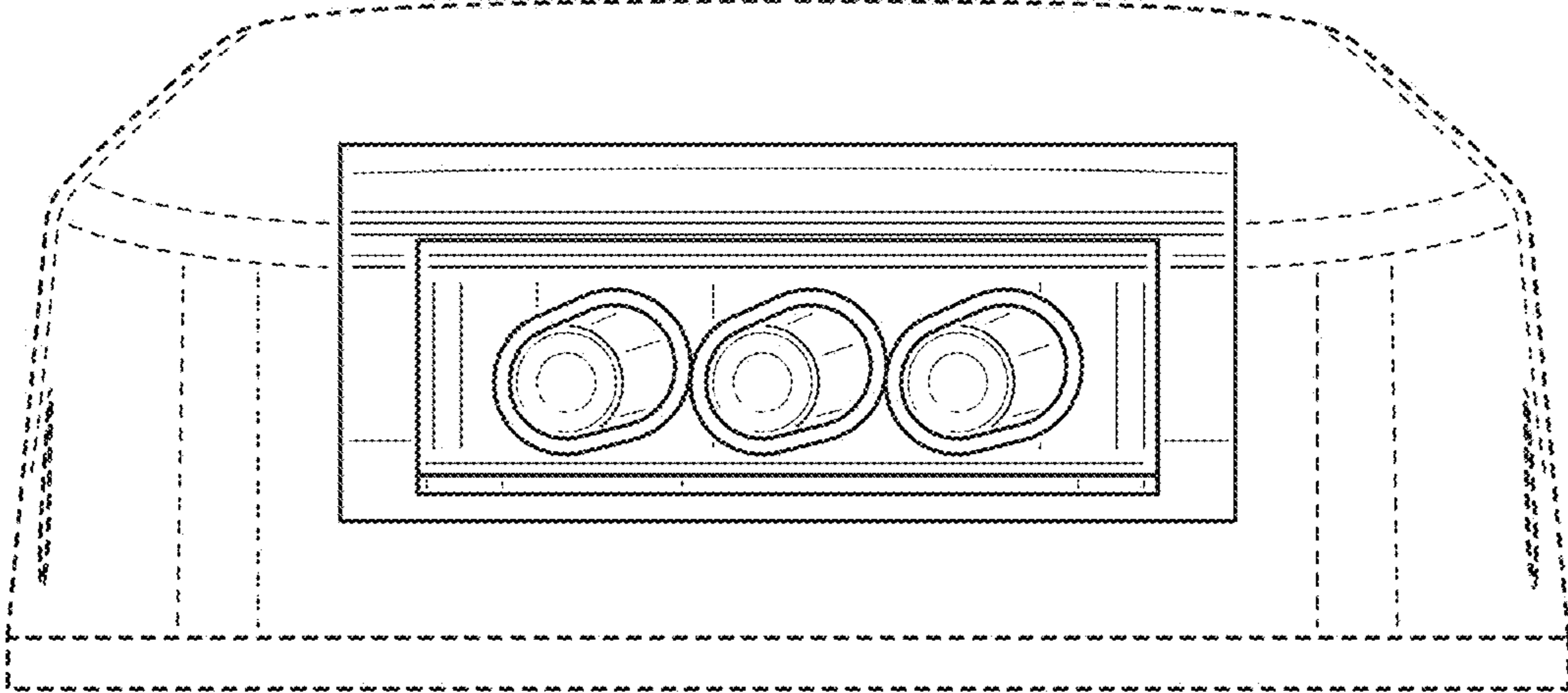


FIG. 3

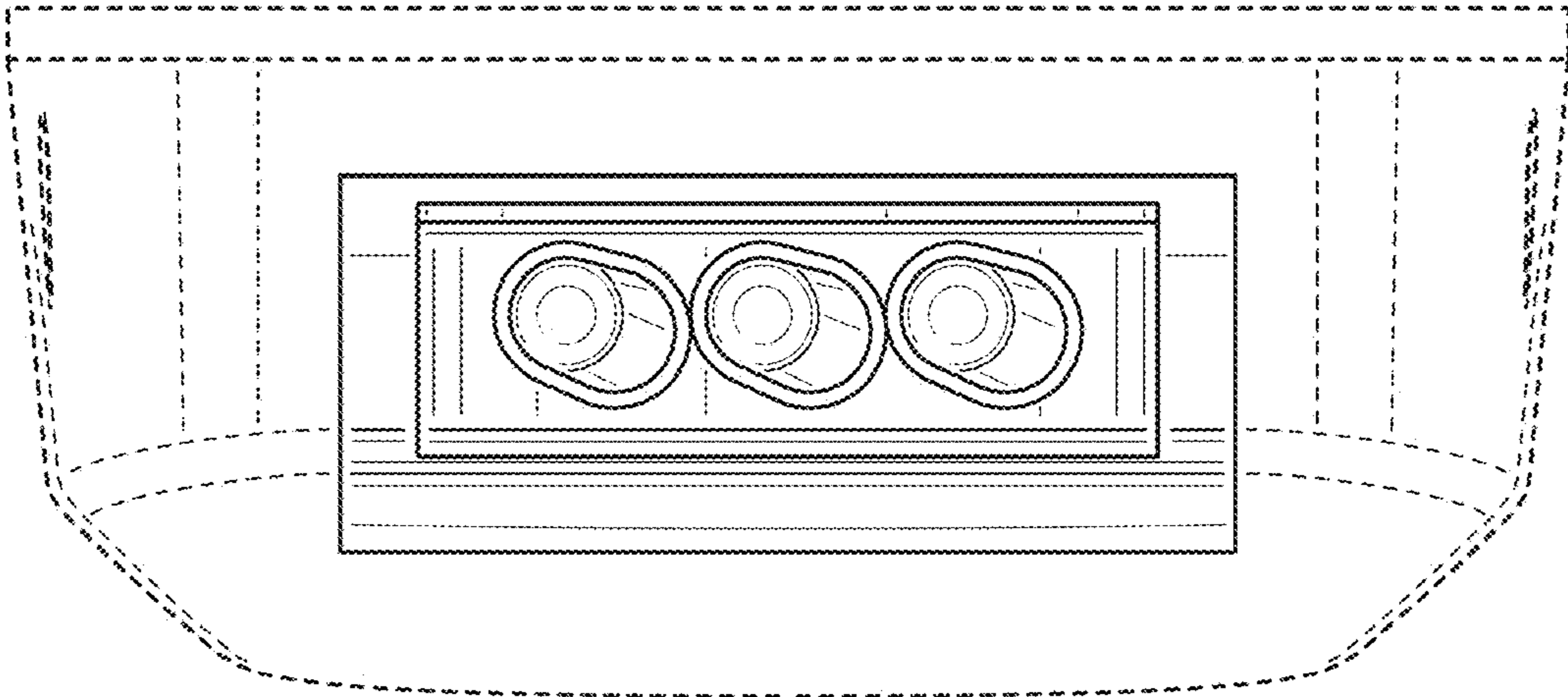


FIG. 4

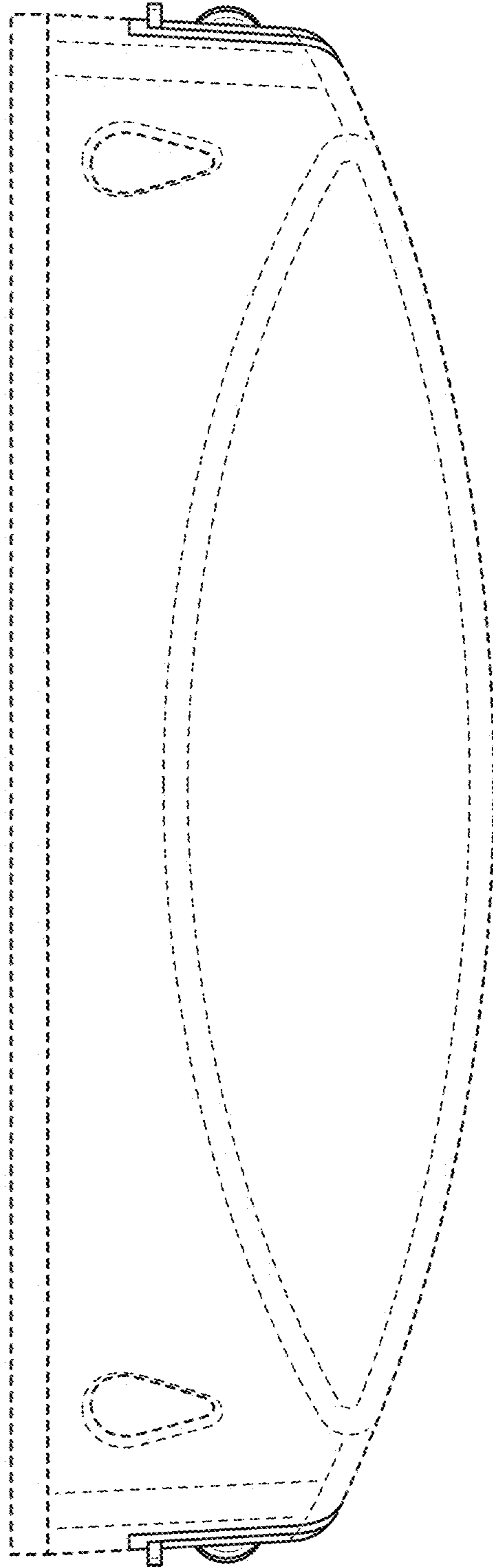


FIG. 5

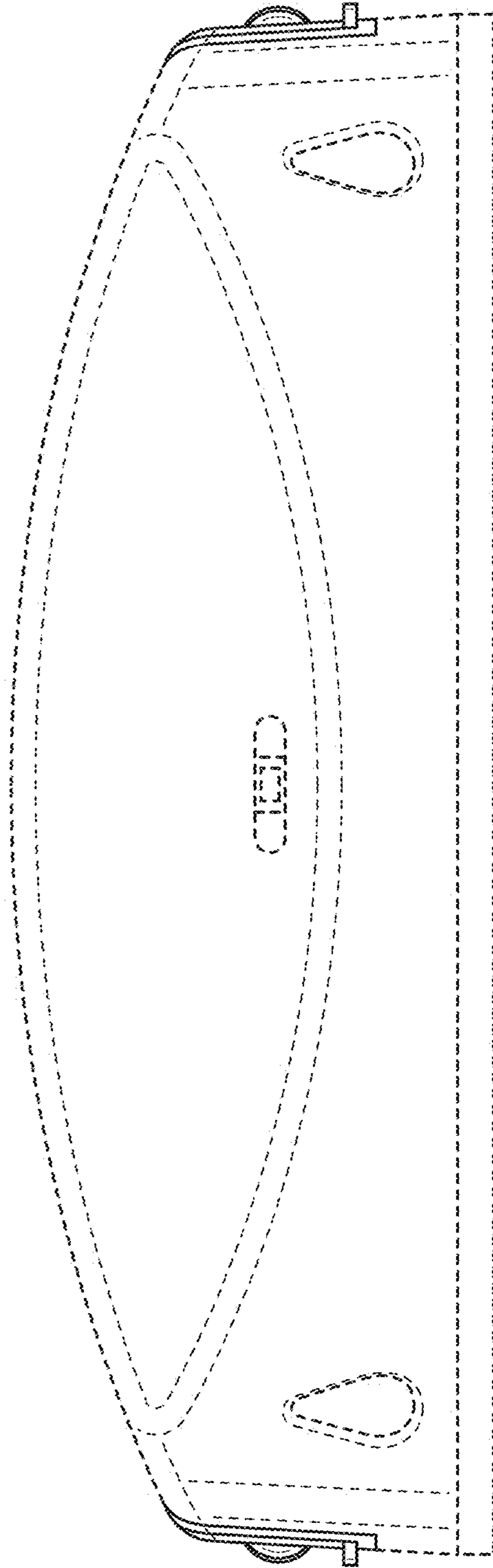


FIG. 6

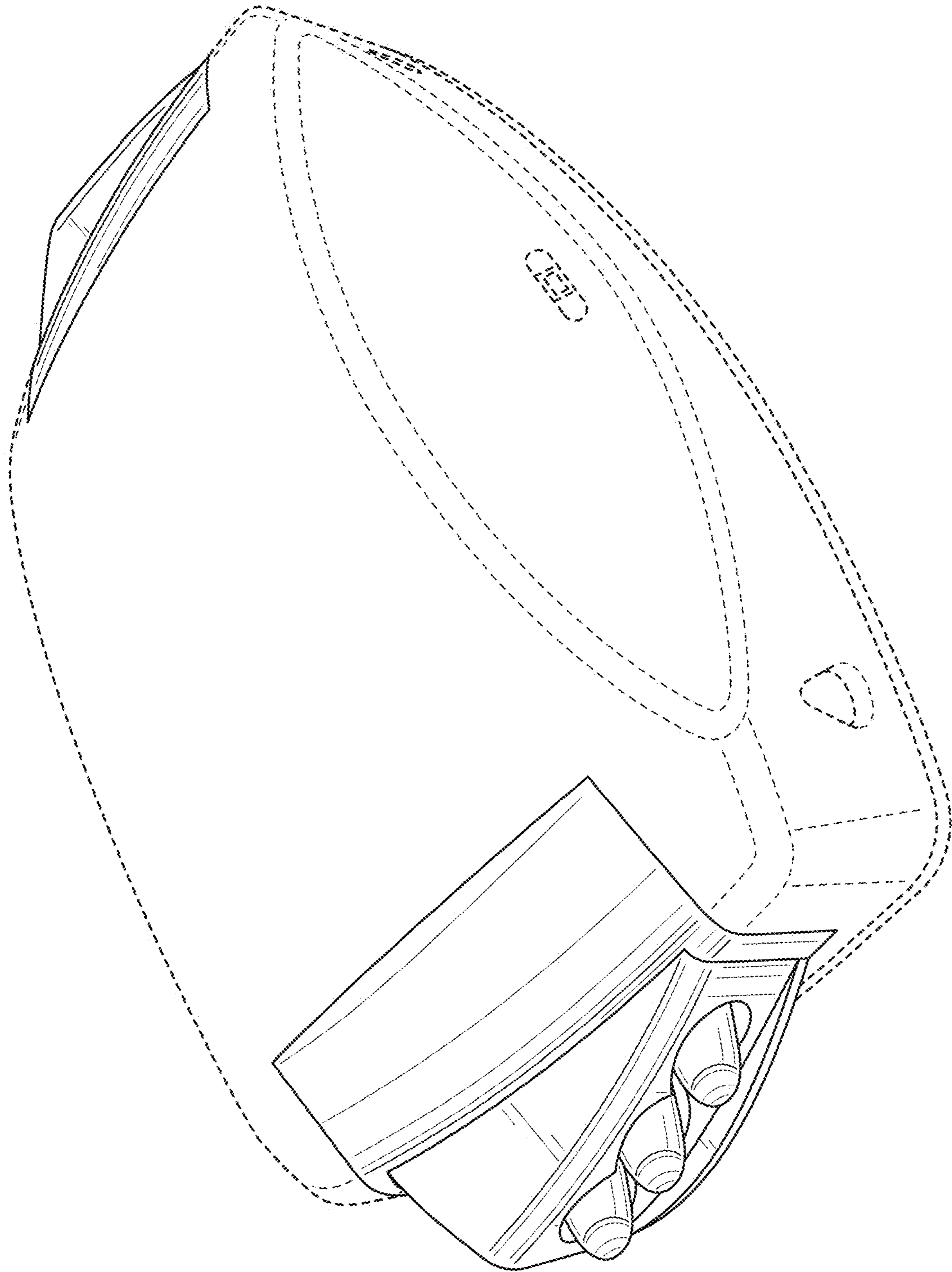


FIG. 7

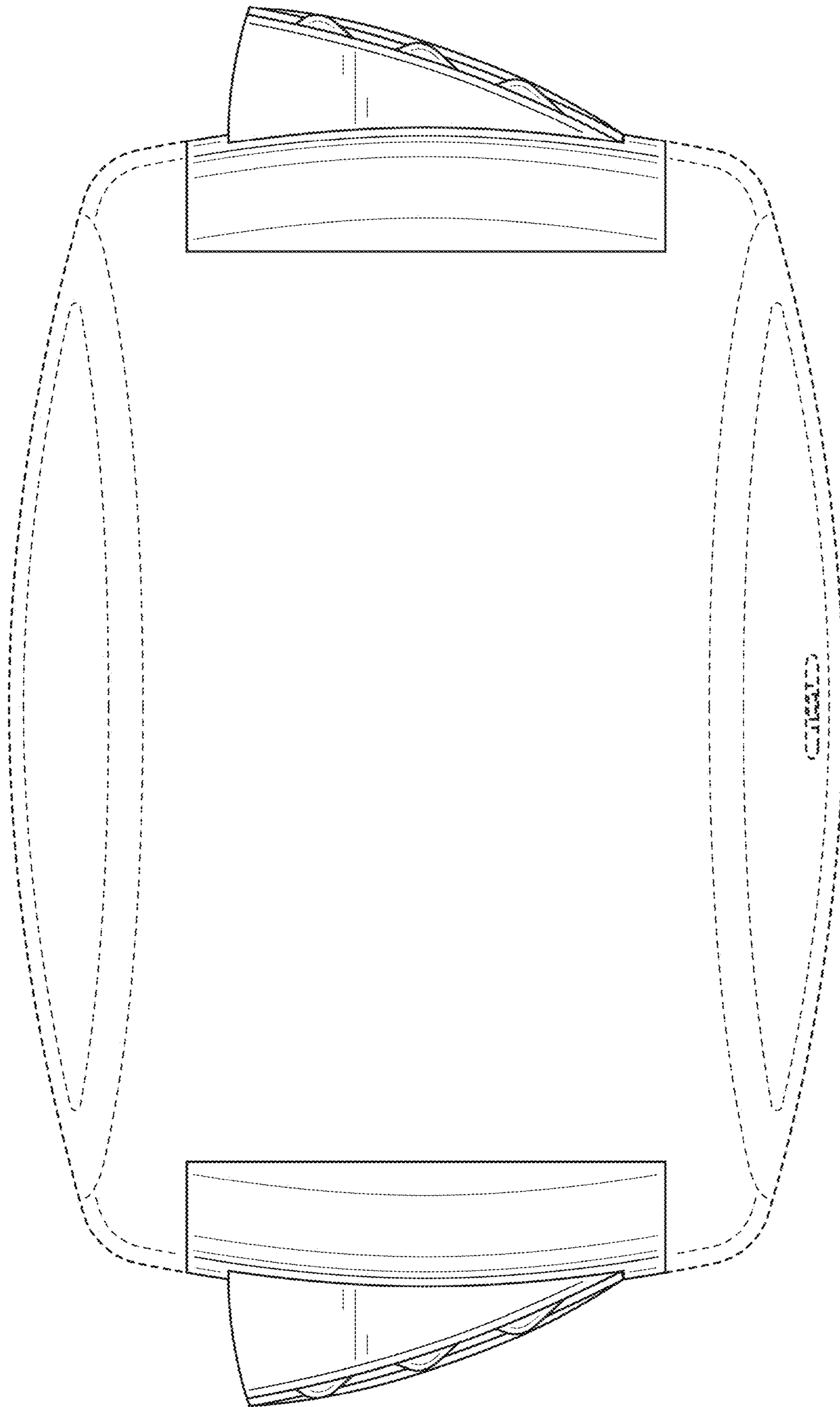


FIG. 8

FIG. 8

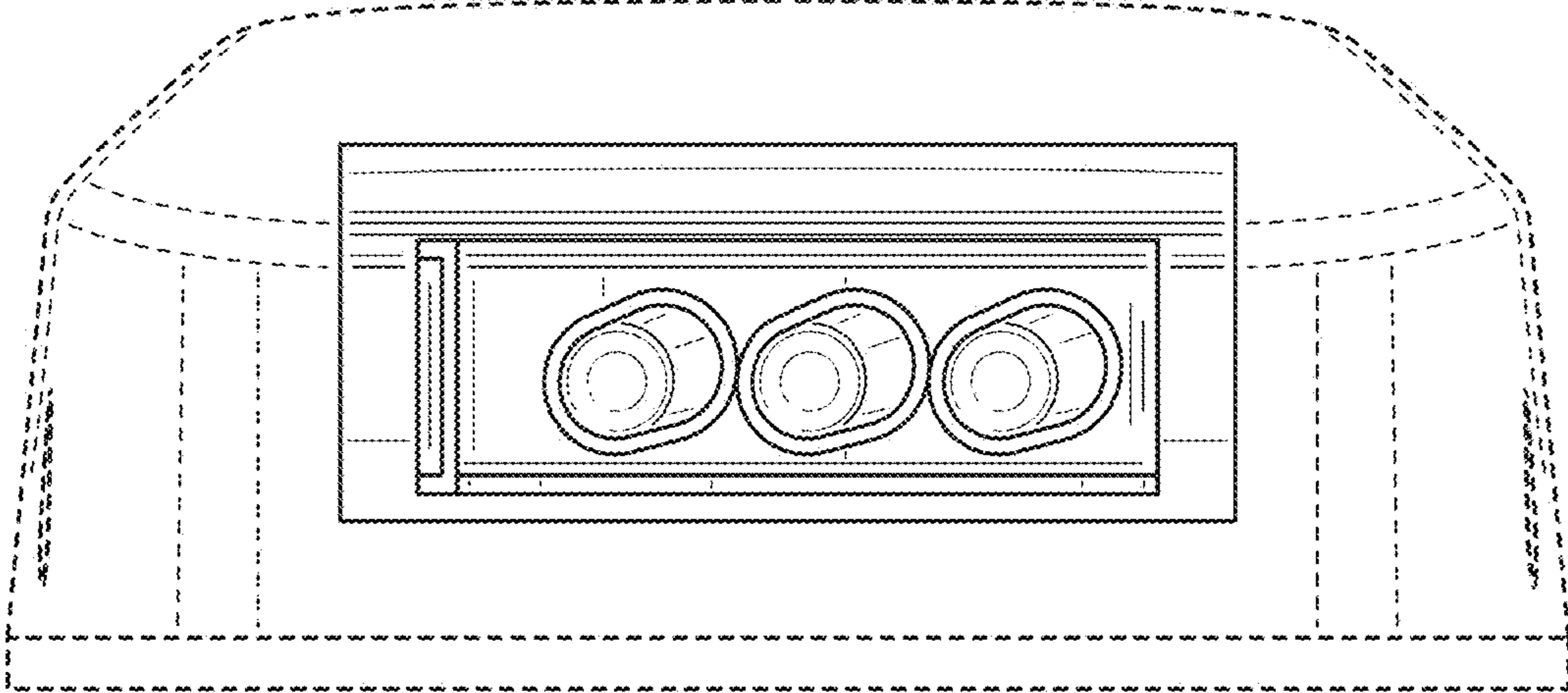


FIG. 9

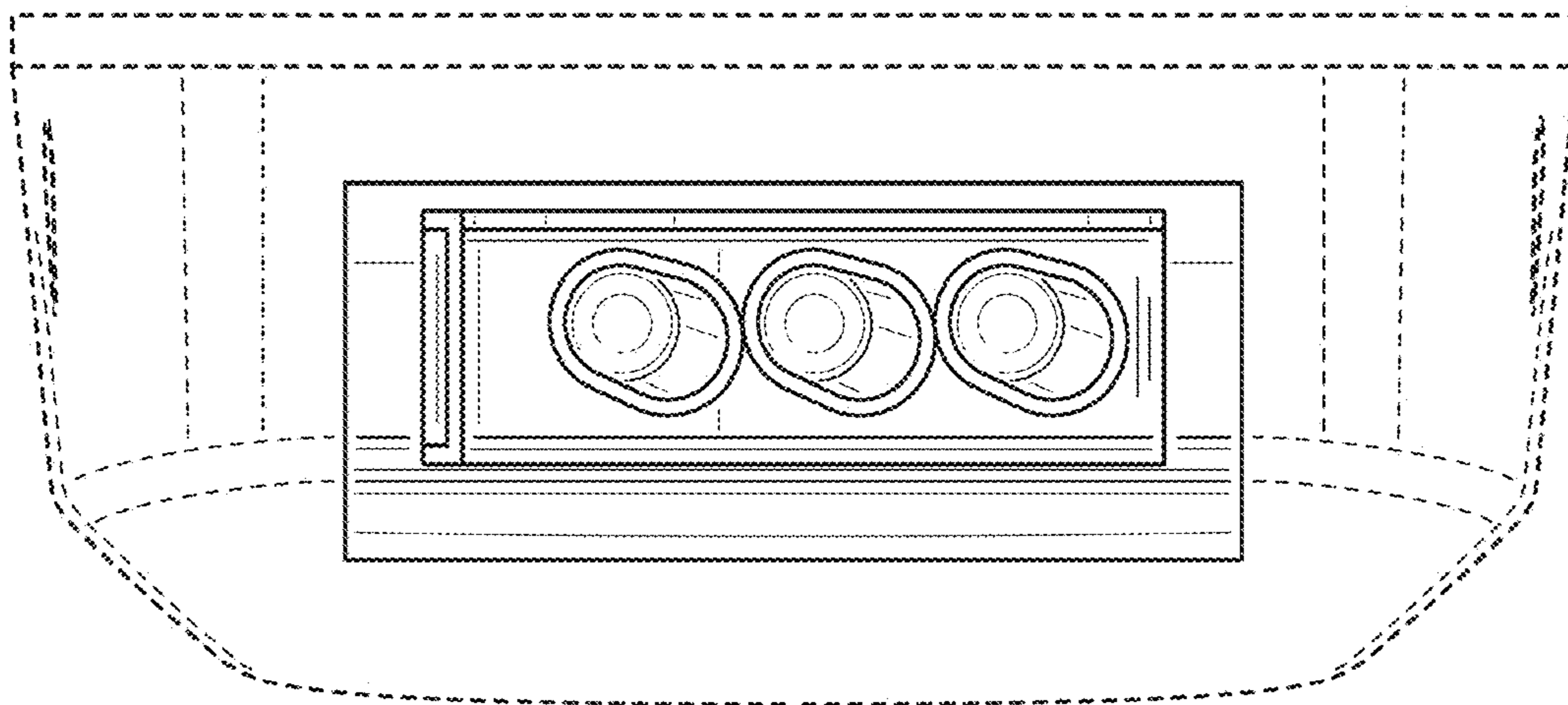


FIG. 10

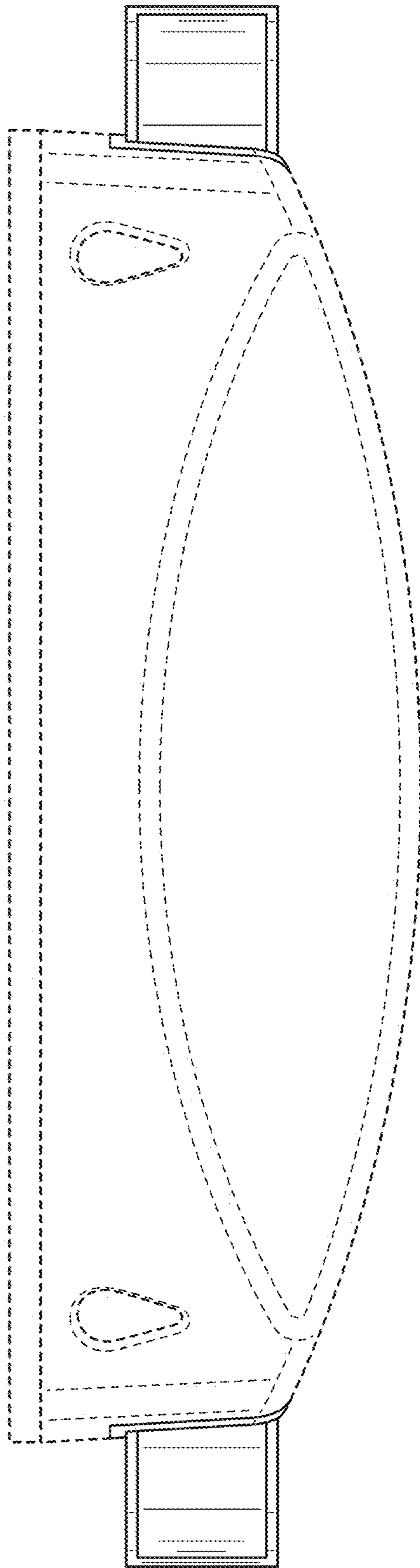


FIG. 11

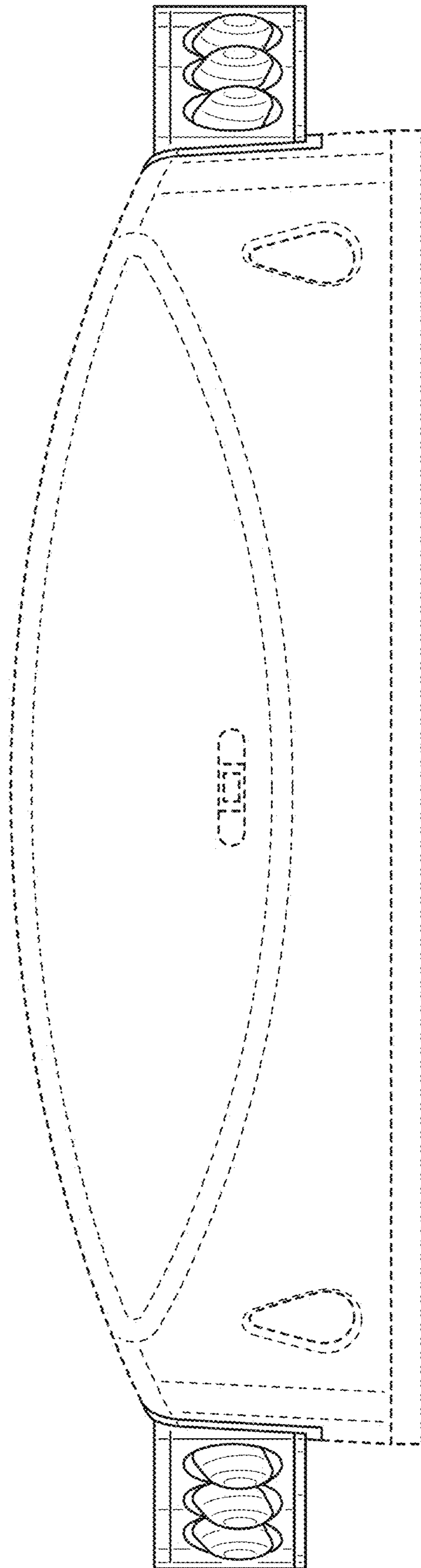


FIG. 12

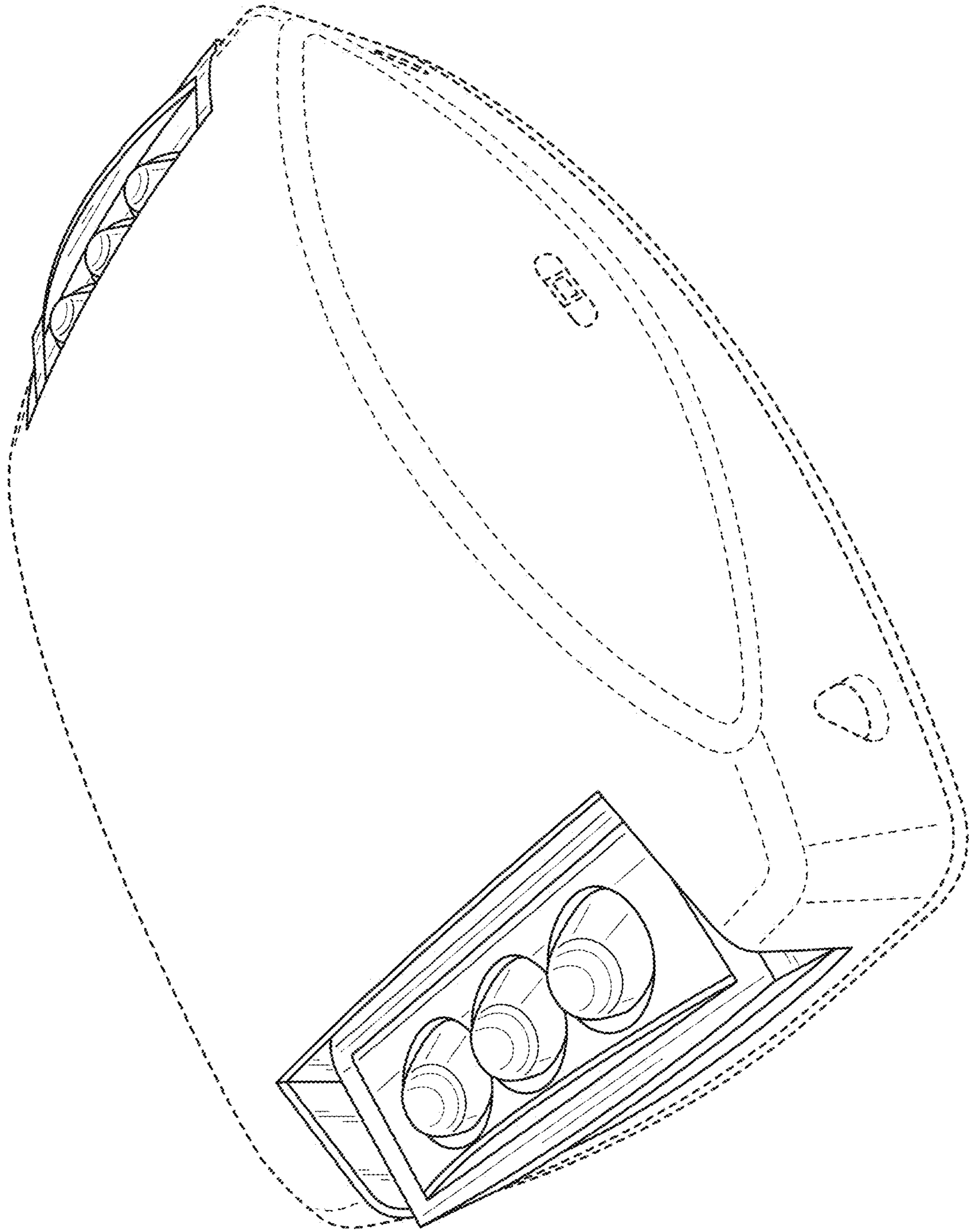


FIG. 13

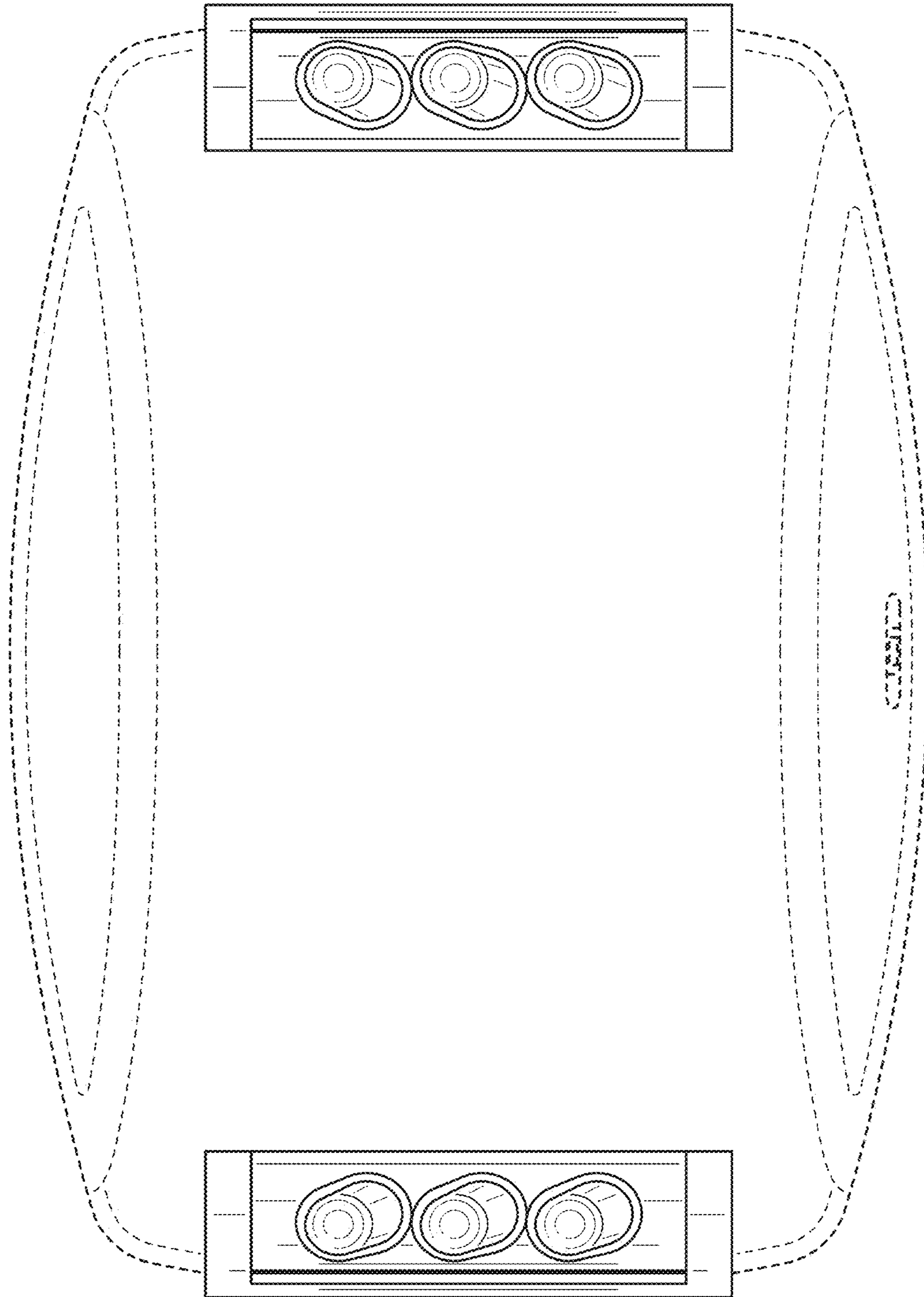


FIG. 14

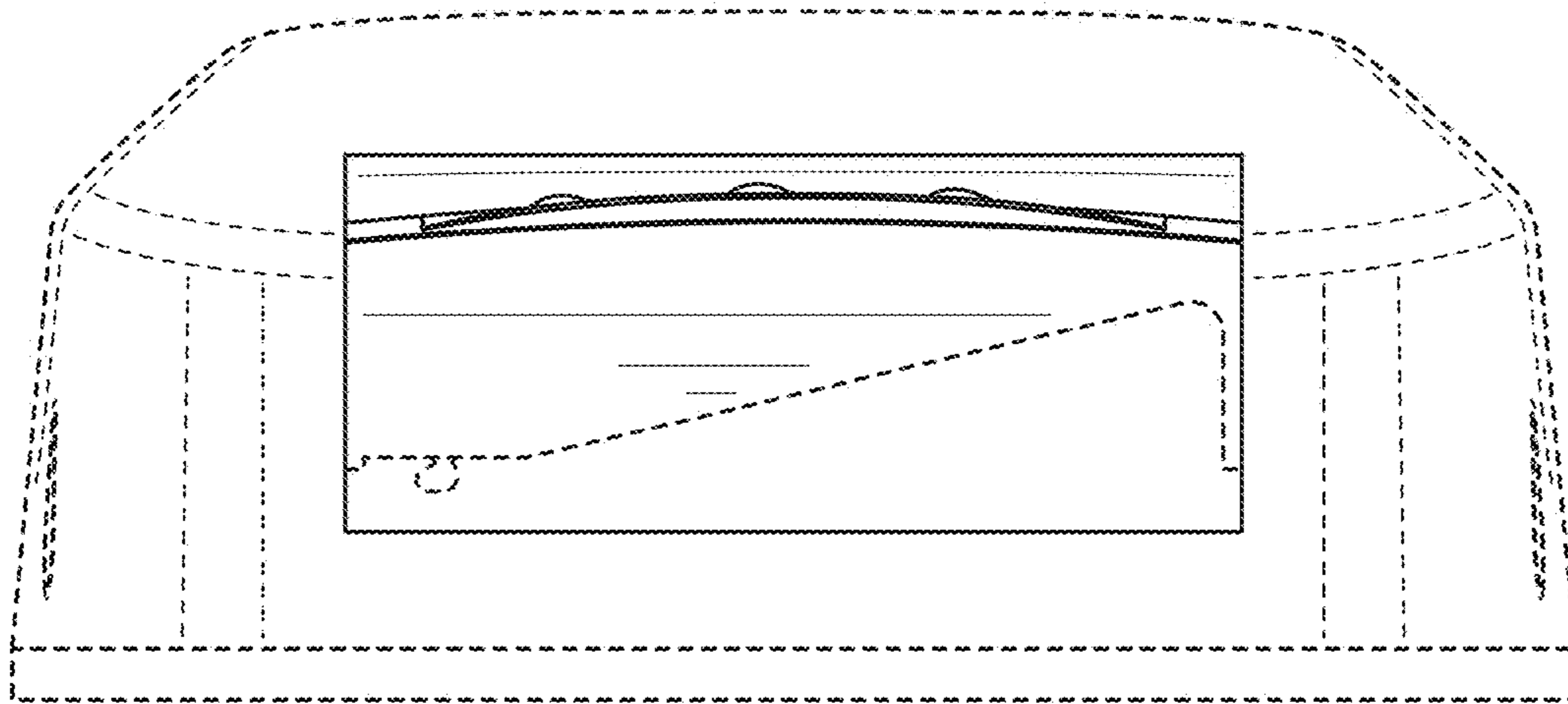


FIG. 15

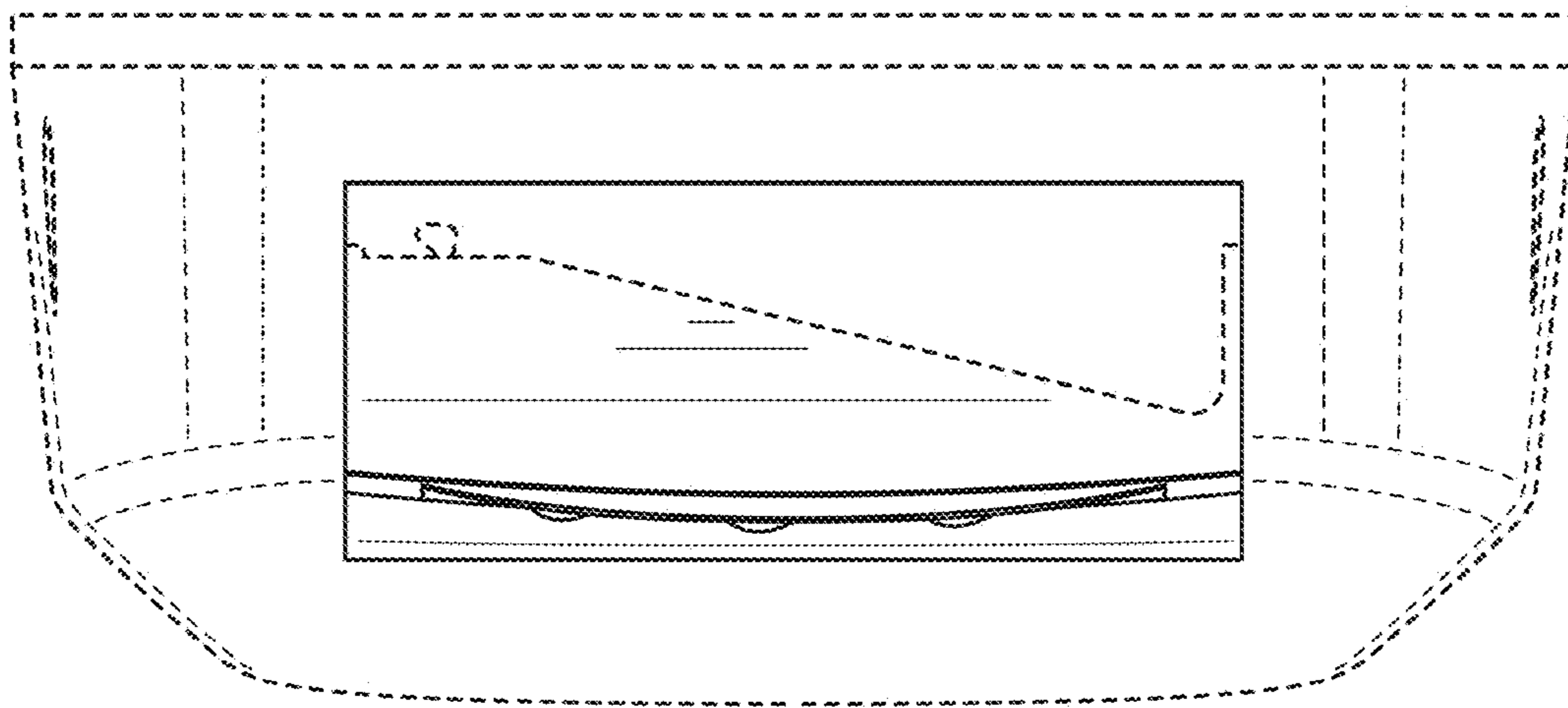


FIG. 16

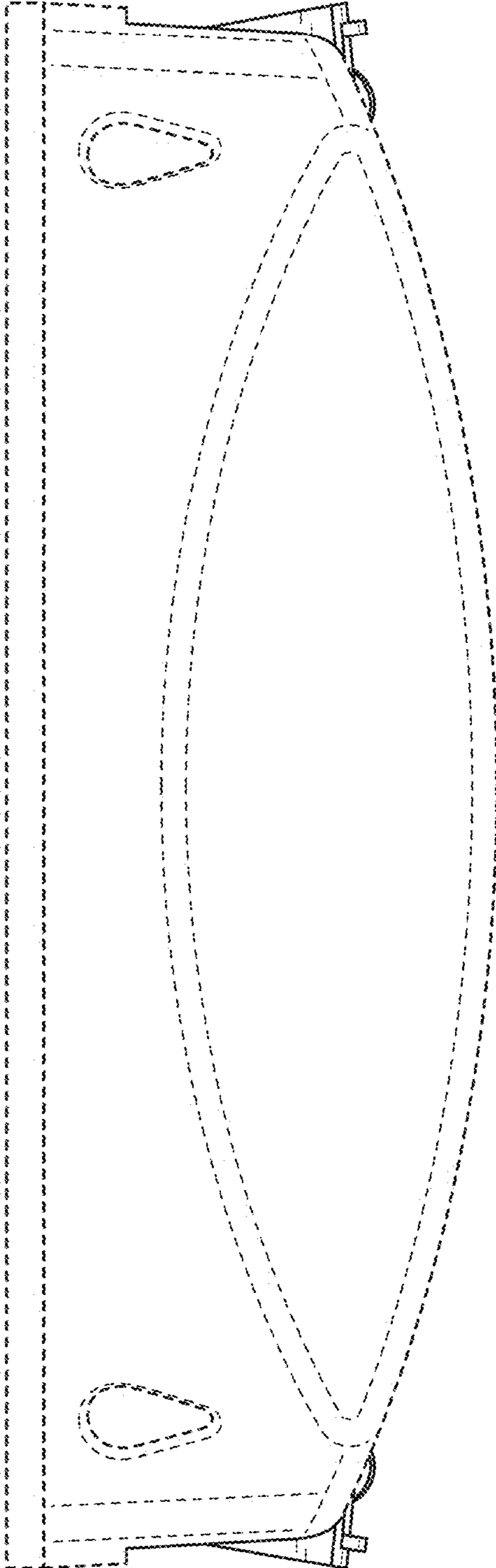


FIG. 17

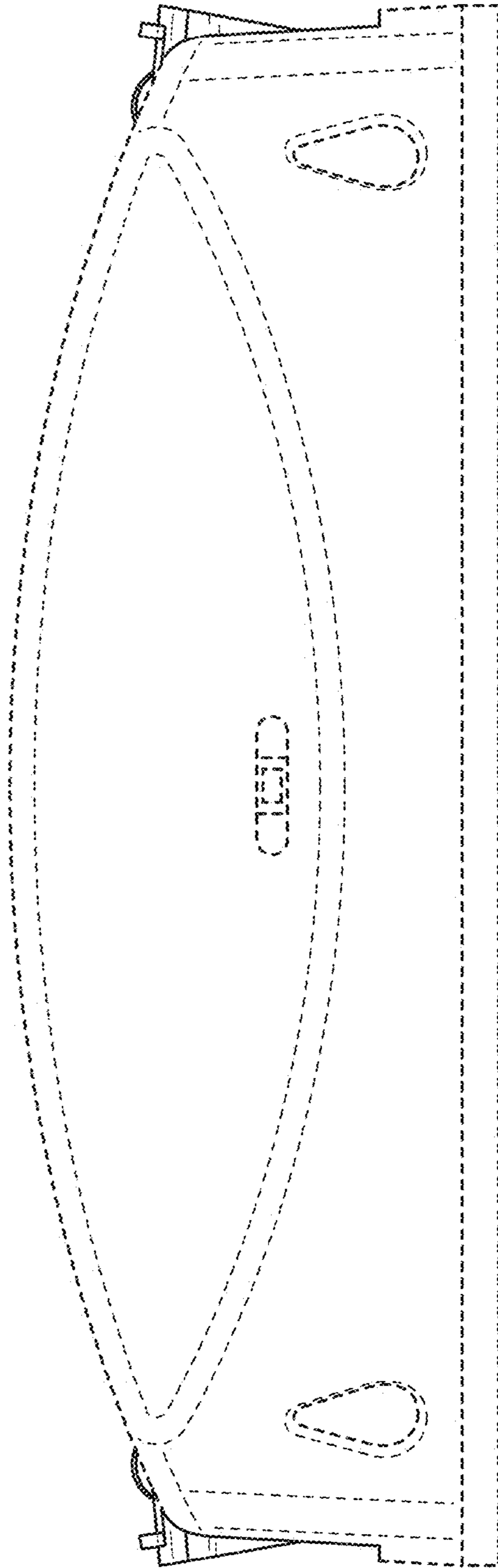


FIG. 18

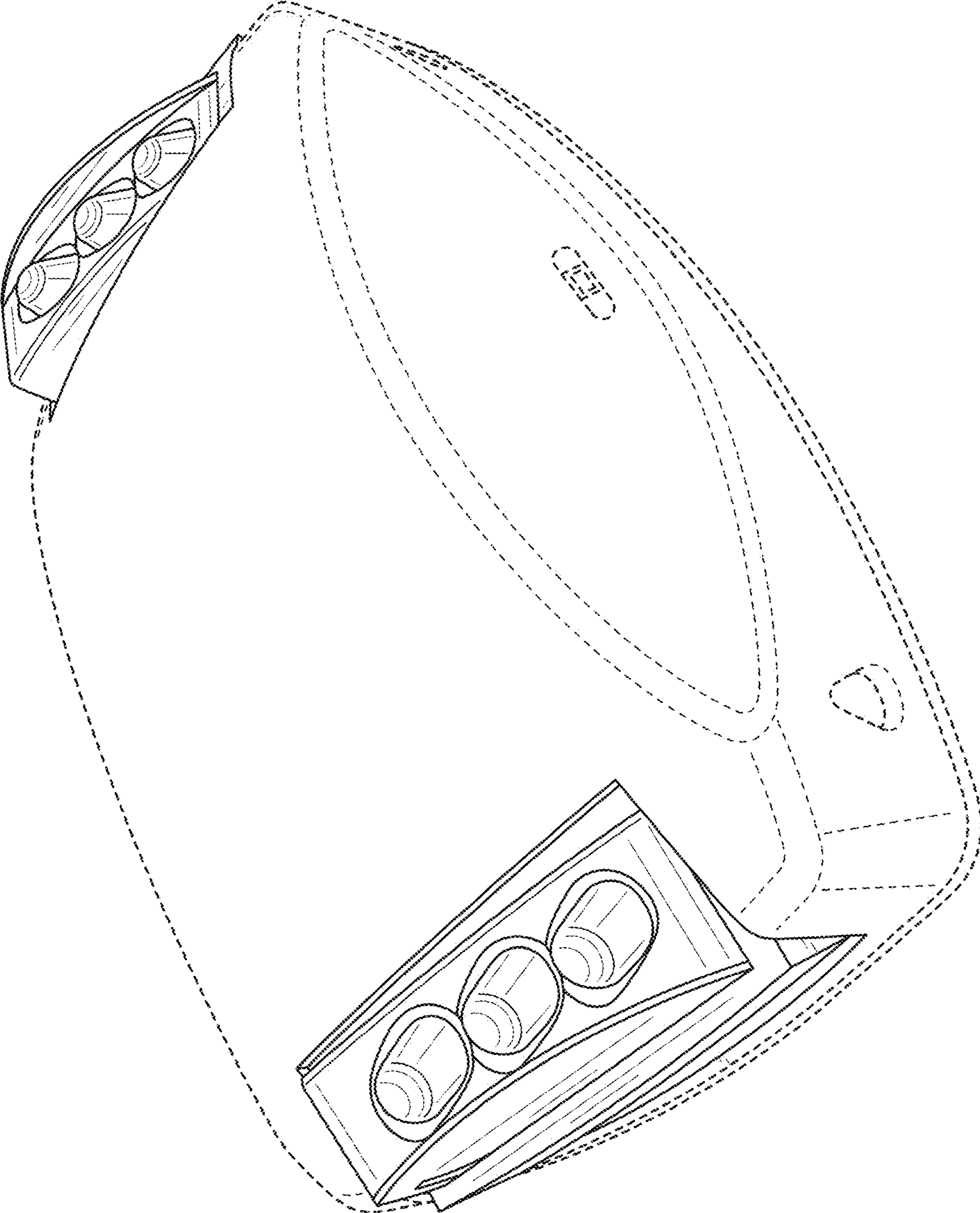


FIG. 19

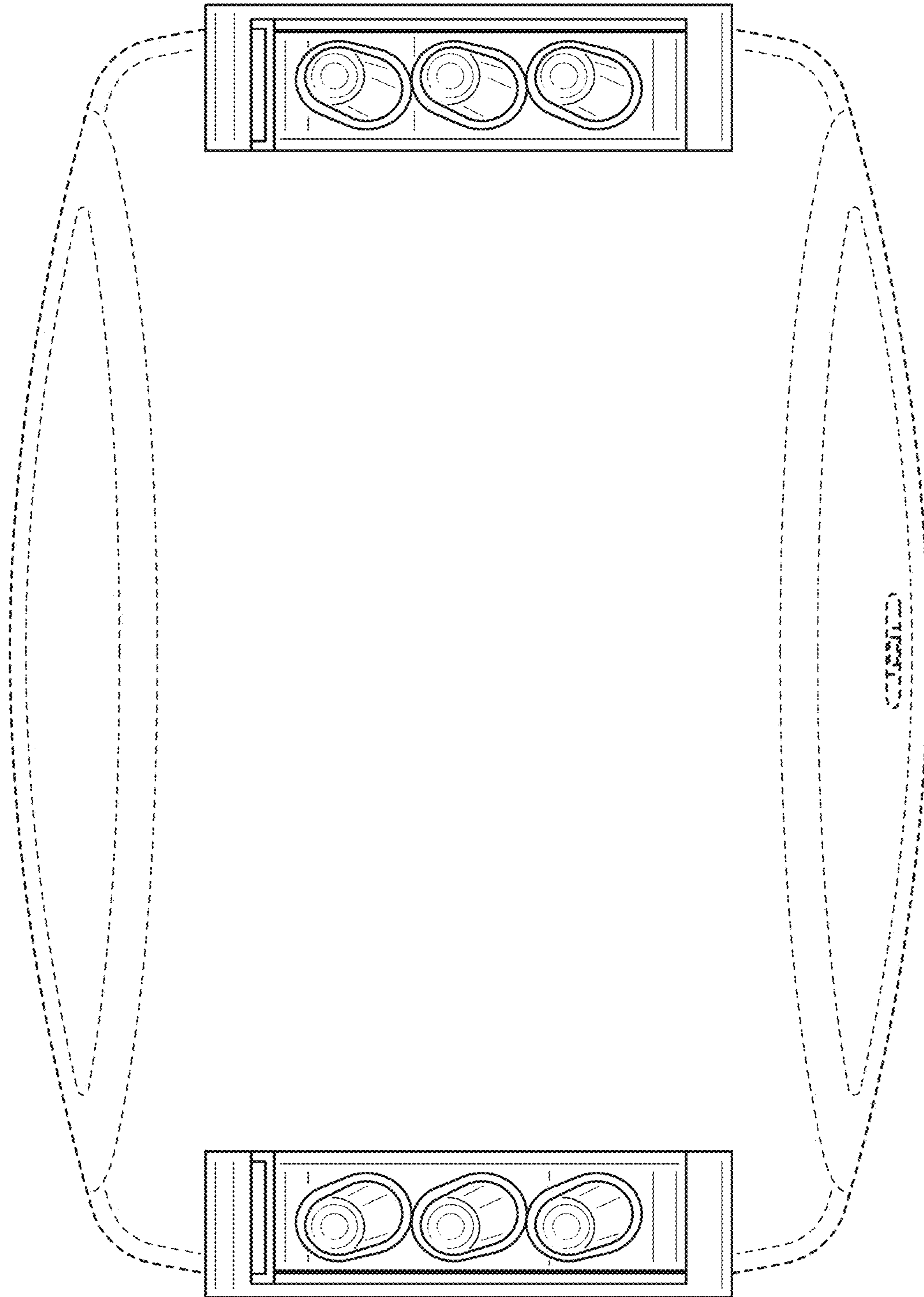


FIG. 20

FIG. 20

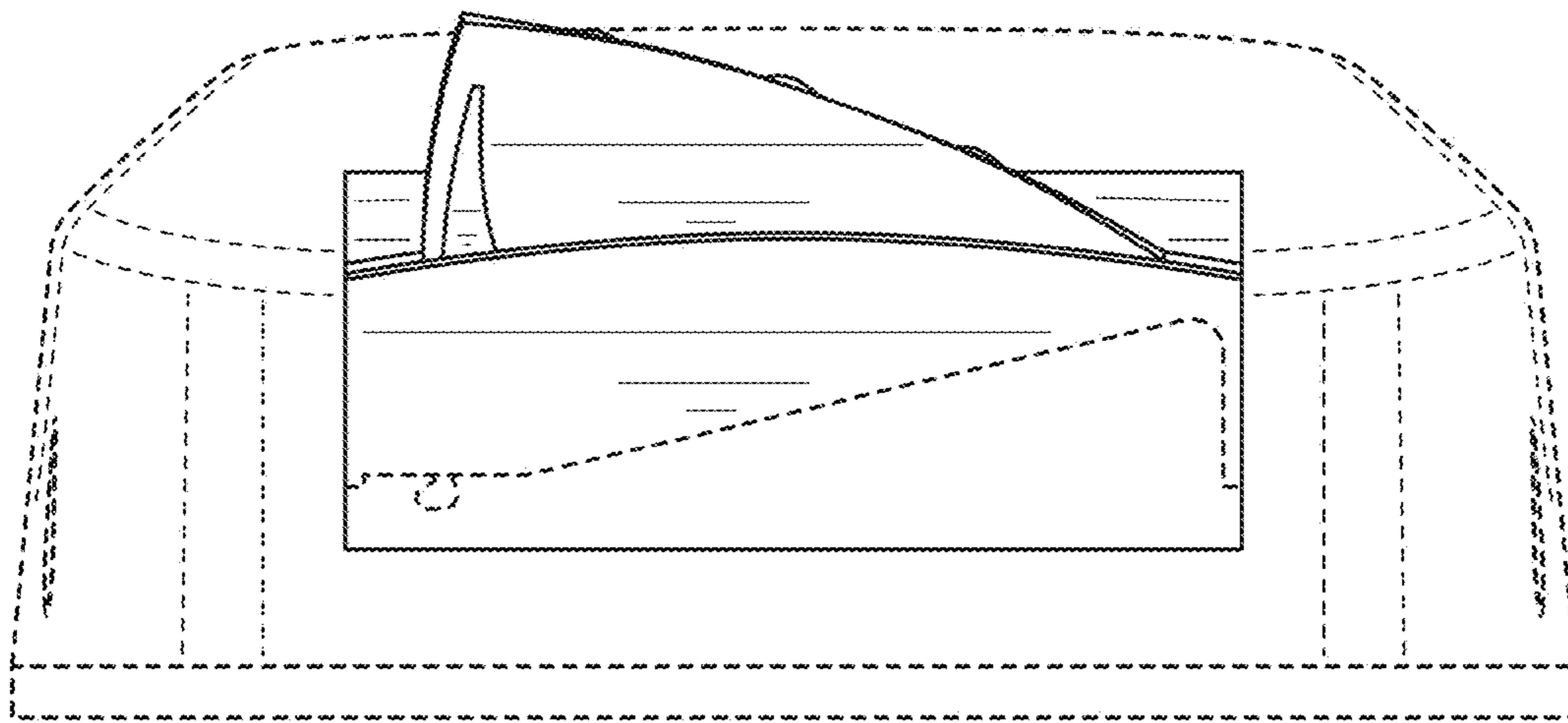


FIG. 21

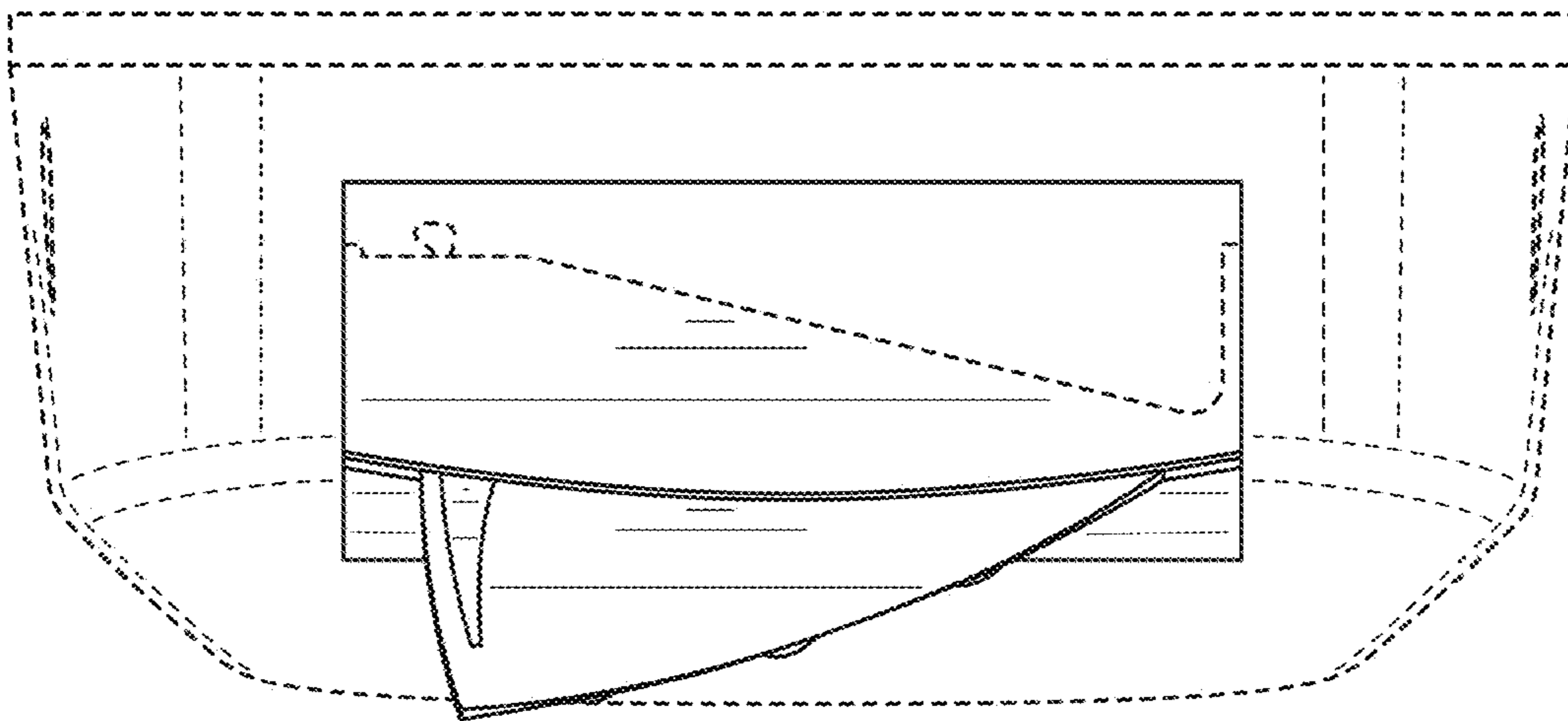


FIG. 22

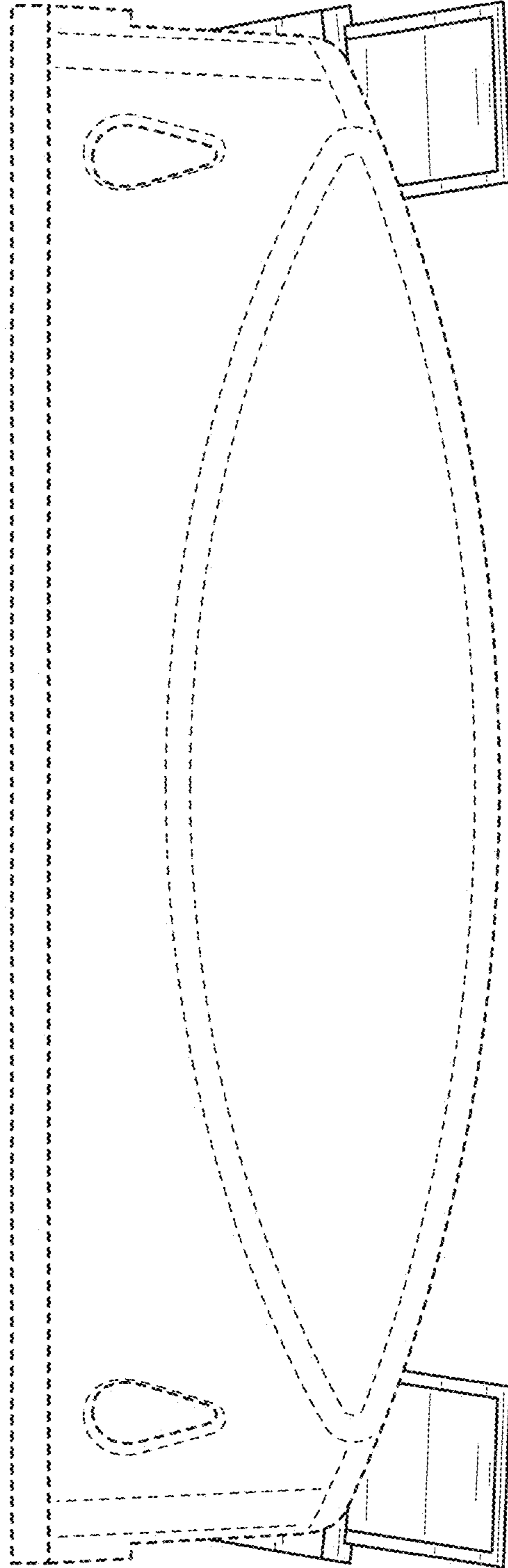


FIG. 23

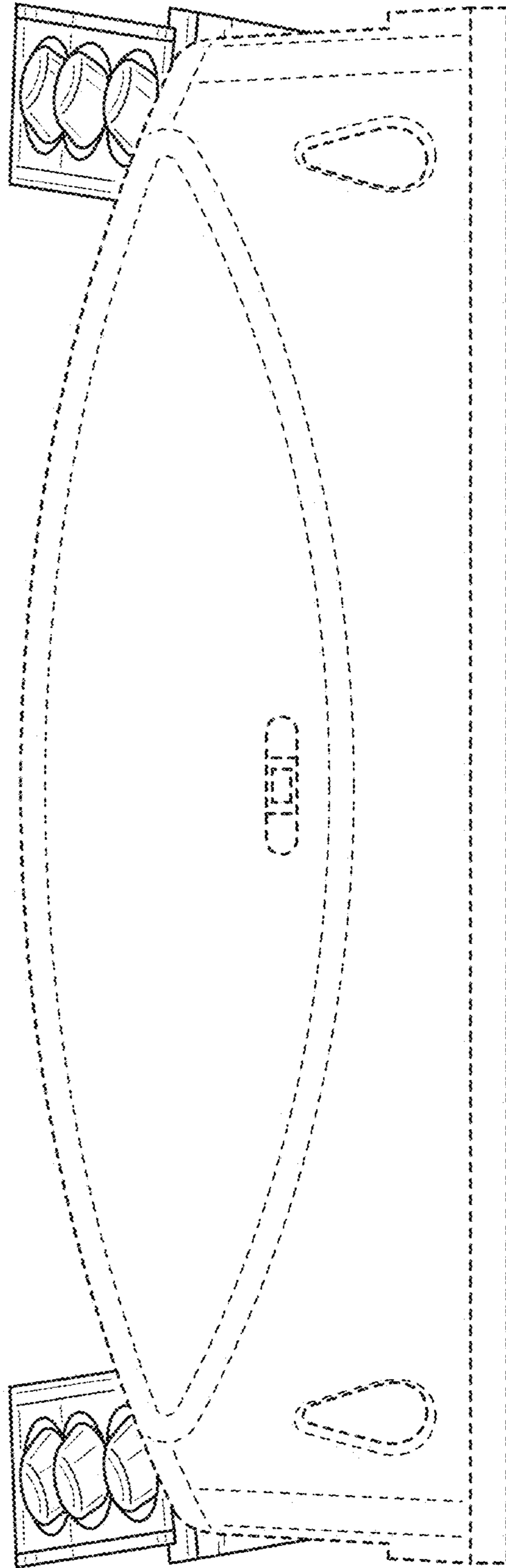


FIG. 24

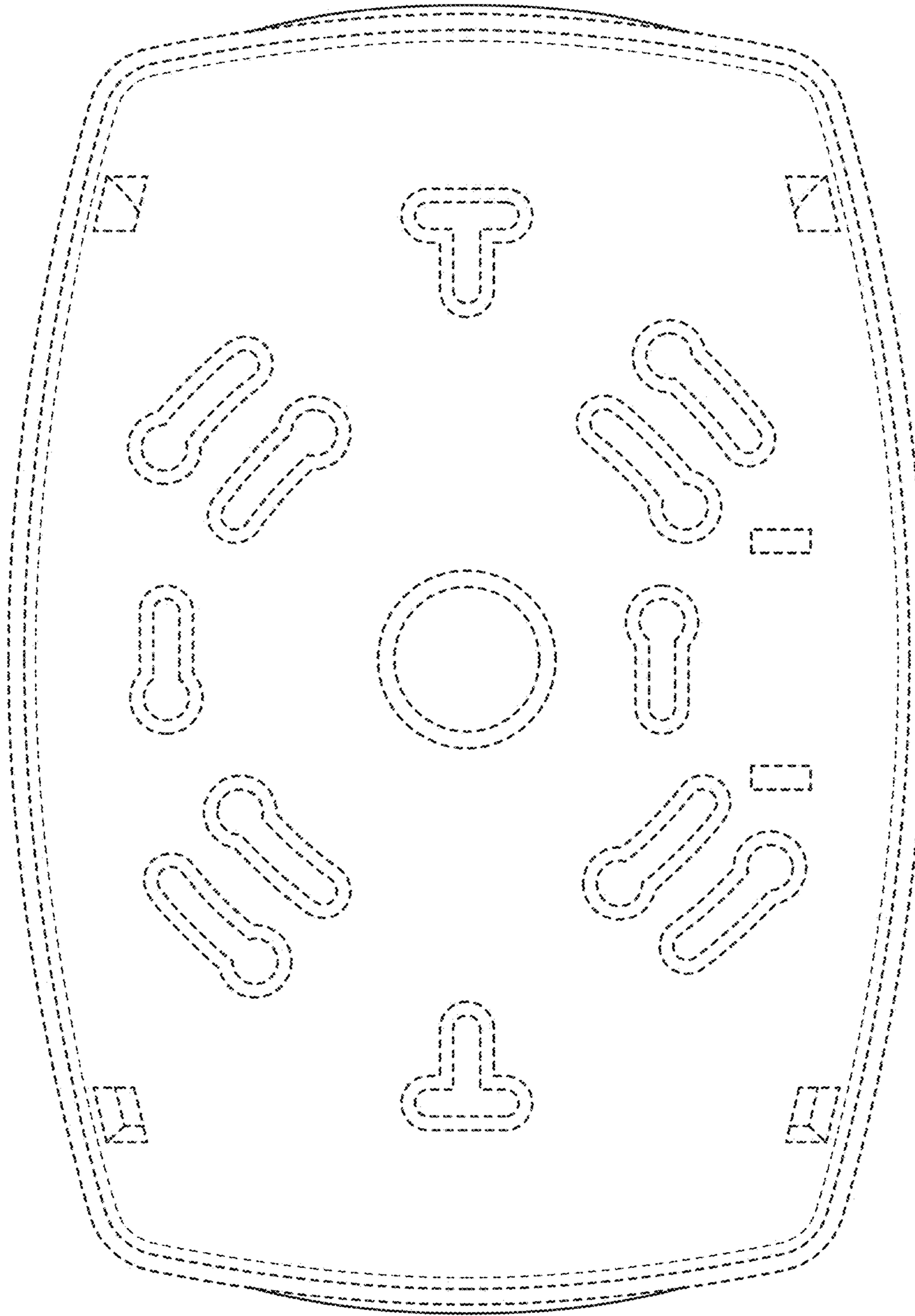


FIG. 25