



US00D927031S

(12) **United States Design Patent** (10) **Patent No.:** **US D927,031 S**
Liu (45) **Date of Patent:** **** Aug. 3, 2021**

(54) **FLASHLIGHT**
(71) Applicant: **Shengkun Huang**, Guangdong (CN)
(72) Inventor: **Senquan Liu**, Guangdong (CN)
(73) Assignee: **Shengkun Huang**, Guangdong (CN)
(**) Term: **15 Years**
(21) Appl. No.: **29/659,790**
(22) Filed: **Aug. 13, 2018**
(51) **LOC (13) Cl.** **26-02**
(52) **U.S. Cl.**
USPC **D26/49**
(58) **Field of Classification Search**
USPC D26/37-38, 40-42, 46, 49-50
CPC F21L 2003/00; F21L 4/00; F21L 4/005;
F21L 4/02; F21L 4/022; F21L 4/025;
F21L 4/027; F21L 4/04; F21L 4/045;
F21L 4/08; F21L 4/085; F21L 2005/00;
F21L 14/02
See application file for complete search history.

amazon.com: CISNO Tactical Flashlight. Date posted Apr. 17, 2019 [site visited Sep. 11, 2020]. Retrieved from internet, <https://www.amazon.com/CISNO-Tactical-Flashlight-Pressure-45%C2%B0Quick/dp/B07C7XGZ73/ref=sr_1_7?dchild=1&keywords=Cisno+1000+lumen+tactical+flashlight&qid=1599849196&sr=8-7> (Year: 2019).*
amazon.com: CISNO 1000 Lumens Flashlight. Date posted May 14, 2014 [site visited Sep. 11, 2020]. Retrieved from internet, <<https://www.amazon.com/CISNO-Tactical-Flashlight-Pressure-Picatinny/dp/B00D6AEUJ8>> (Year: 2014).*

* cited by examiner

Primary Examiner — Marcus A Jackson
(74) *Attorney, Agent, or Firm* — Juan Carlos A. Marquez; Marquez IP Law Office, PLLC

(57) **CLAIM**

The ornamental design for a flashlight, as shown and described.

(56) **References Cited**

U.S. PATENT DOCUMENTS

D504,530 S *	4/2005	Shiu	D26/37
D564,116 S *	3/2008	Linardos	D26/49
D565,769 S *	4/2008	Shiu	D26/49
D596,328 S *	7/2009	Shiu	D26/49
7,581,848 B1 *	9/2009	Parsons	F21L 4/027 200/60
D674,943 S *	1/2013	Sheikh	D22/117
D783,193 S *	4/2017	Kao	D26/49
D828,940 S *	9/2018	Qiu	D26/49

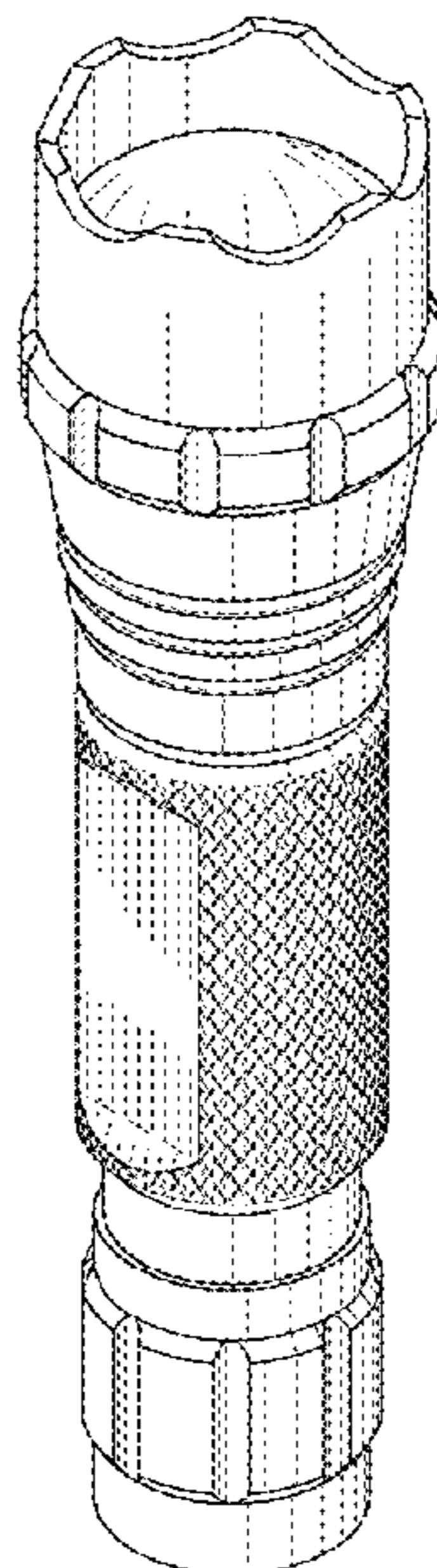
OTHER PUBLICATIONS

Cisno 1000 lumen tactical flashlight review. Posted by Honest Reviews 888. Date posted Mar. 27, 2017 [site visited Sep. 11, 2020]. Retrieved from internet, <https://www.youtube.com/watch?v=gNccg-VUMRU> (Year: 2017).*

DESCRIPTION

FIG. 1 is a perspective view of an embodiment of a flashlight, showing my new design;
FIG. 2 is a front view thereof;
FIG. 3 is a rear view thereof;
FIG. 4 is a left-side view thereof;
FIG. 5 is a right-side view thereof;
FIG. 6 is a top view thereof;
FIG. 7 is a bottom view thereof; and,
FIG. 8 is a perspective view of an alternate configuration of the embodiment of the flashlight.
The broken lines in the drawings depict portions of the flashlight that form no part of the claimed design.

1 Claim, 5 Drawing Sheets



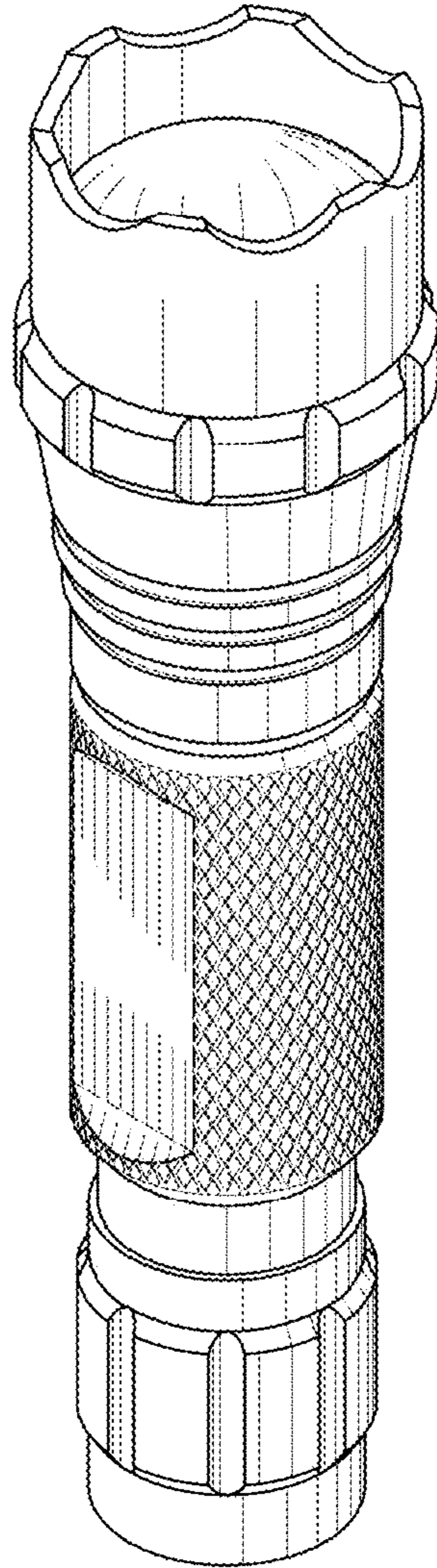


FIG. 1

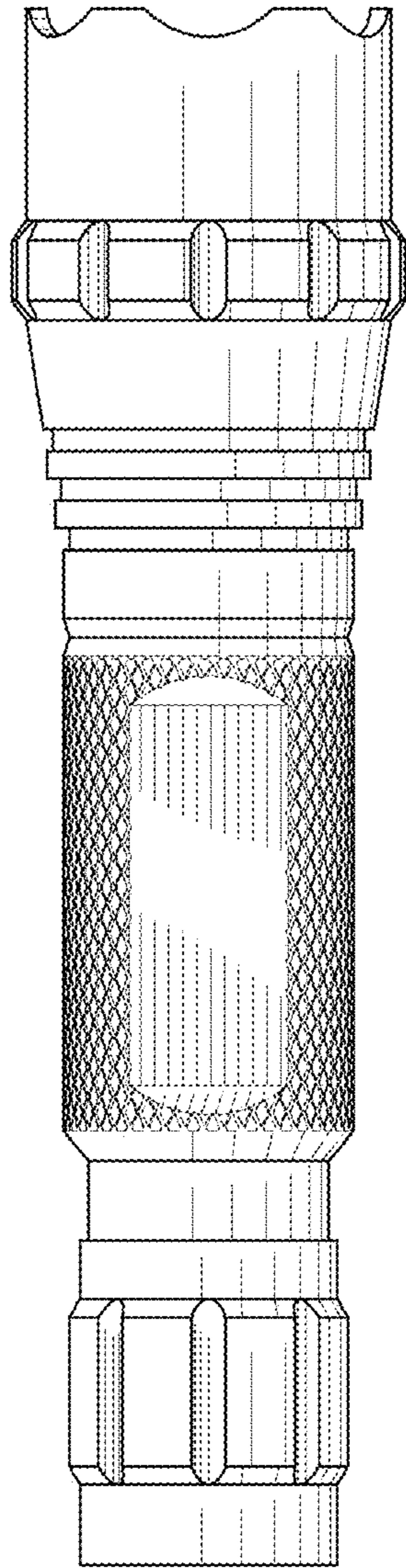


FIG. 2

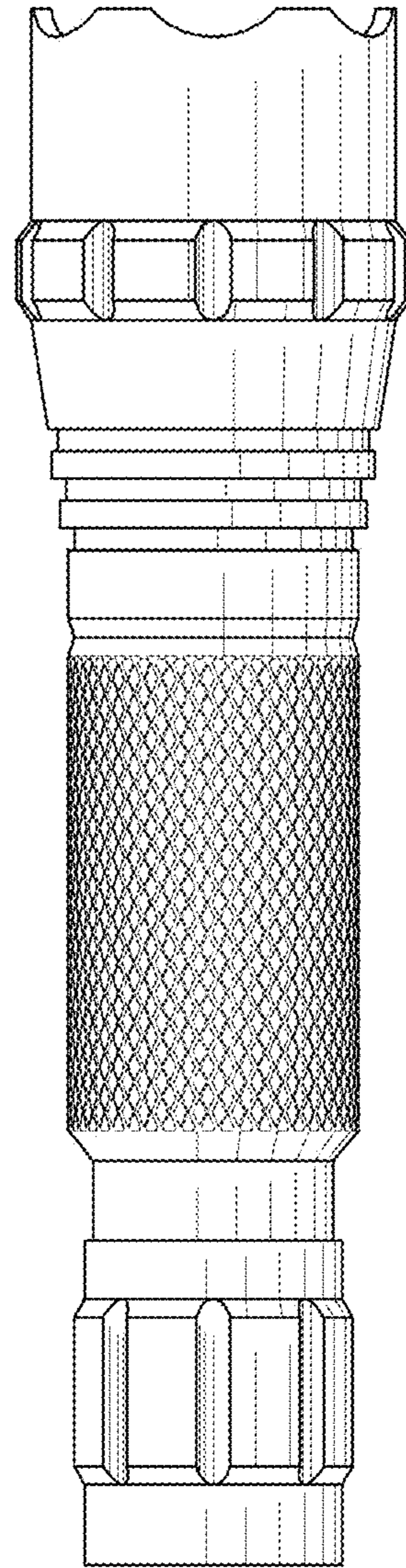


FIG. 3

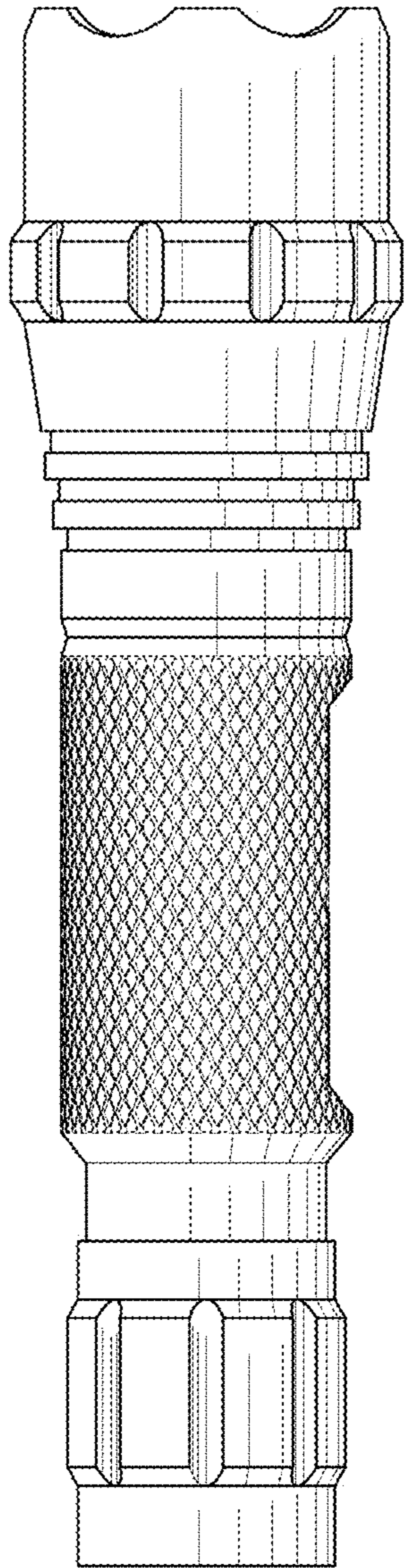


FIG. 4

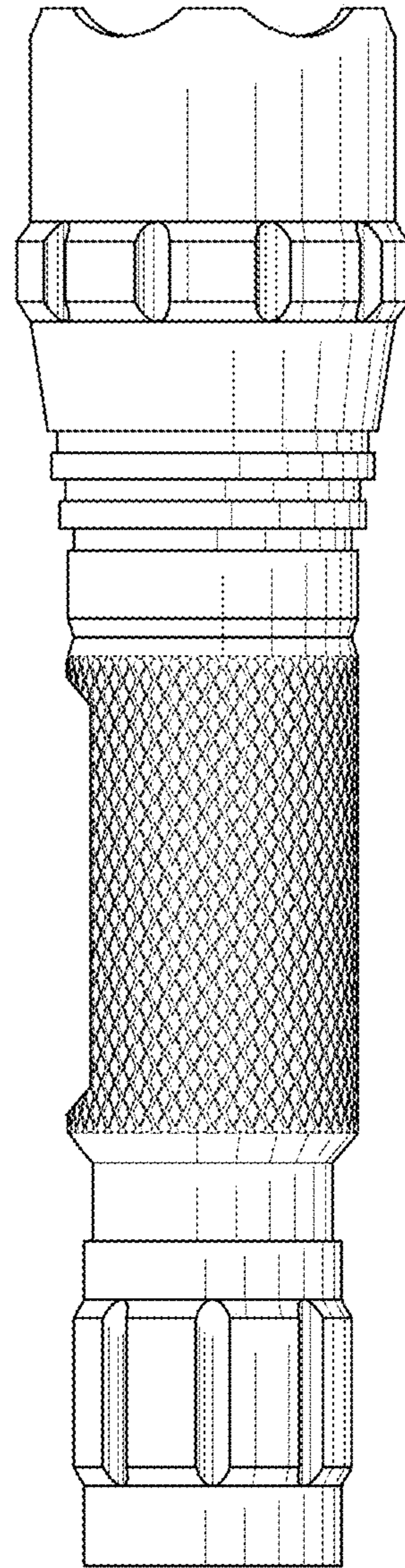


FIG. 5

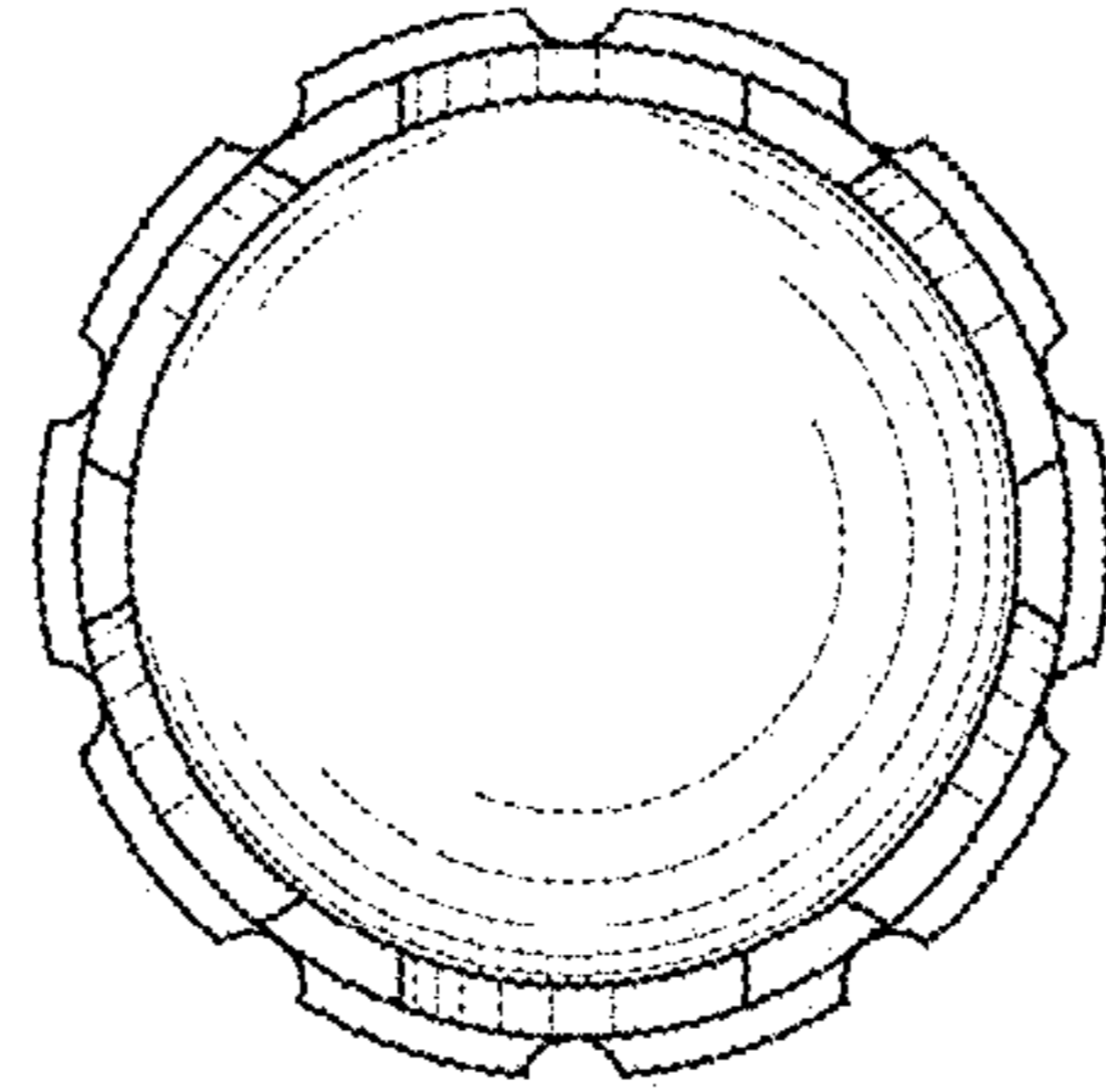


FIG. 6

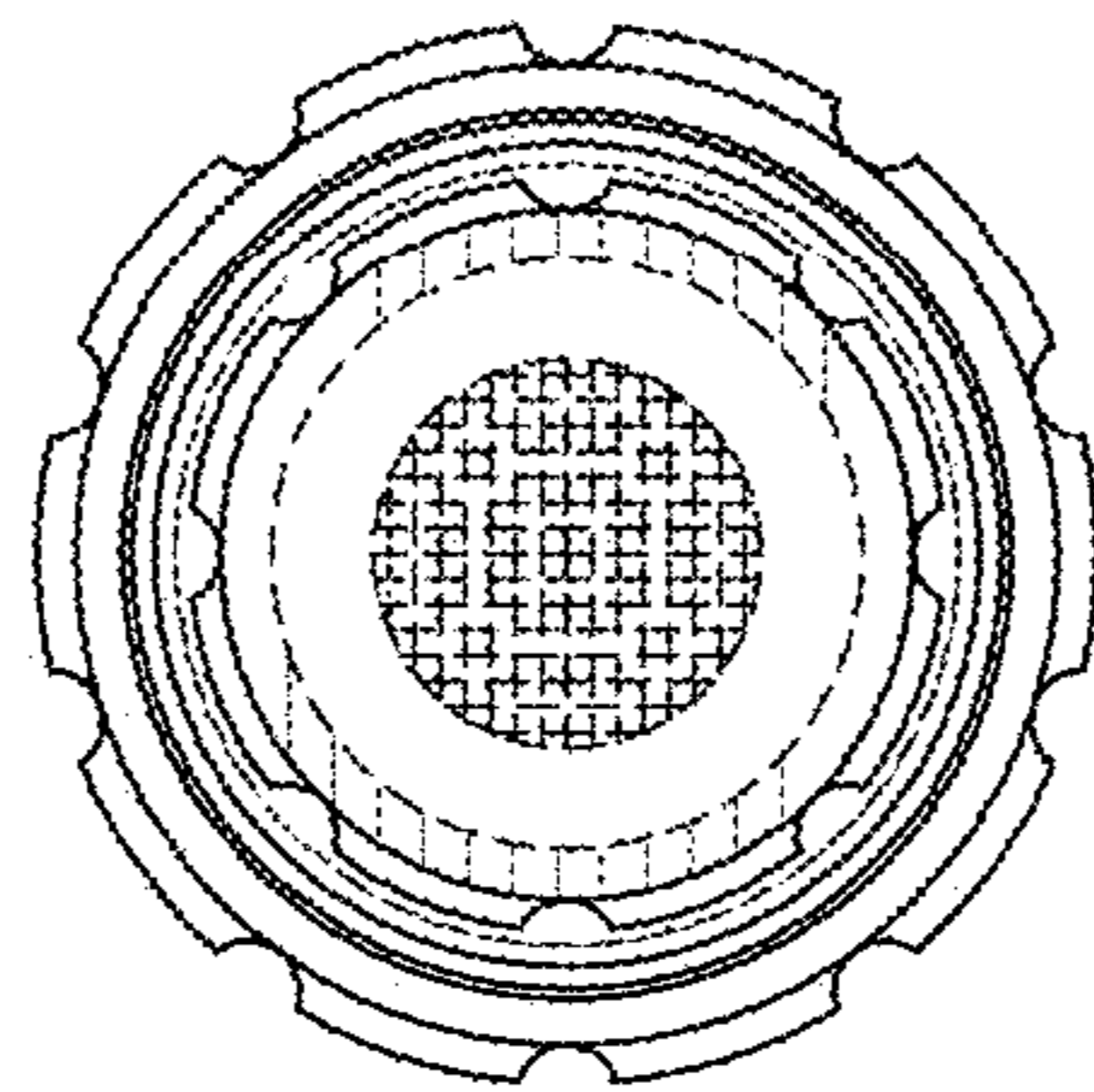


FIG. 7

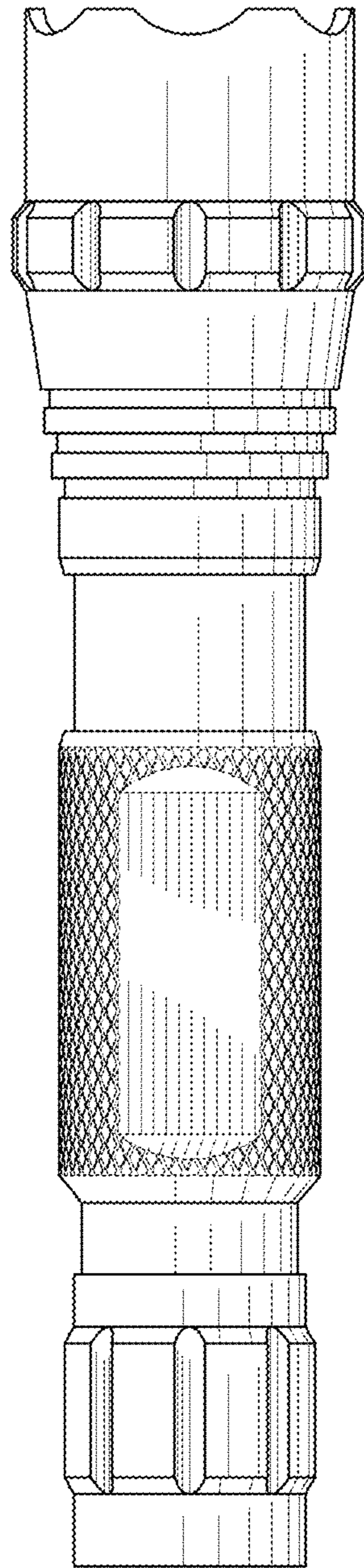


FIG. 8