



US00D927030S

(12) **United States Design Patent** (10) **Patent No.:** **US D927,030 S**  
**Park et al.** (45) **Date of Patent:** **\*\* Aug. 3, 2021**

(54) **LIGHT FOR AN AUTOMOBILE**  
(71) Applicant: **LG Electronics Inc.**, Seoul (KR)  
(72) Inventors: **Sangmin Park**, Seoul (KR); **Hansoo Kim**, Seoul (KR); **Seunghwan Song**, Seoul (KR); **Sewon Chun**, Seoul (KR)

D759,876 S \* 6/2016 Blum ..... D26/88  
D762,911 S \* 8/2016 Blum ..... D26/88  
D829,945 S \* 10/2018 Collins ..... D26/28  
D858,828 S \* 9/2019 Song ..... D26/28  
D901,044 S \* 11/2020 Lindloff ..... D26/28

\* cited by examiner

(73) Assignee: **LG ELECTRONICS INC.**, Seoul (KR)

*Primary Examiner* — Kevin K Rudzinski

*Assistant Examiner* — Richard Kearney

(\*\*) Term: **15 Years**

(74) *Attorney, Agent, or Firm* — Birch, Stewart, Kolasch & Birch LLP

(21) Appl. No.: **35/509,187**

(57) **CLAIM**

(22) Filed: **Jun. 18, 2019**

The ornamental design for a light for an automobile, as shown and described.

(80) **Hague Agreement Data**

Int. Filing Date: **Jun. 18, 2019**

Int. Reg. No.: **DM/207224**

Int. Reg. Date: **Jun. 18, 2019**

Int. Reg. Pub. Date: **Apr. 24, 2020**

**DESCRIPTION**

(30) **Foreign Application Priority Data**

Dec. 19, 2018 (KR) ..... 30-2018-0060108

(51) **LOC (13) Cl.** ..... **26-06**

(52) **U.S. Cl.**  
USPC ..... **D26/28**

(58) **Field of Classification Search**  
USPC ..... D26/24, 28, 30-39, 41, 46, 48, 49, 113, D26/118, 136

CPC ..... B60Q 3/54; B60Q 3/57; B60Q 1/2619; B60Q 1/2696; F21S 41/20; F21S 41/30; F21S 43/14; F21S 43/15; F21S 43/20

See application file for complete search history.

1. Light for an automobile

1.1 : Perspective

1.2 : Front

1.3 : Back

1.4 : Left

1.5 : Top

1.6 : Bottom

1.7 : Reference view

Reproduction 1.1 is a front perspective view of the light for an automobile; reproduction 1.2 is a front view thereof; reproduction 1.3 is a back view thereof; reproduction 1.4 is a left view thereof where the right view is a mirror image; reproduction 1.5 is a top view thereof; reproduction 1.6 is a bottom view thereof; reproduction 1.7 is a reference view showing the use state in which the claimed design has been installed on a vehicle, this design is for a light for an automobile that allows illumination from the driver's seat to the front passenger's seat.

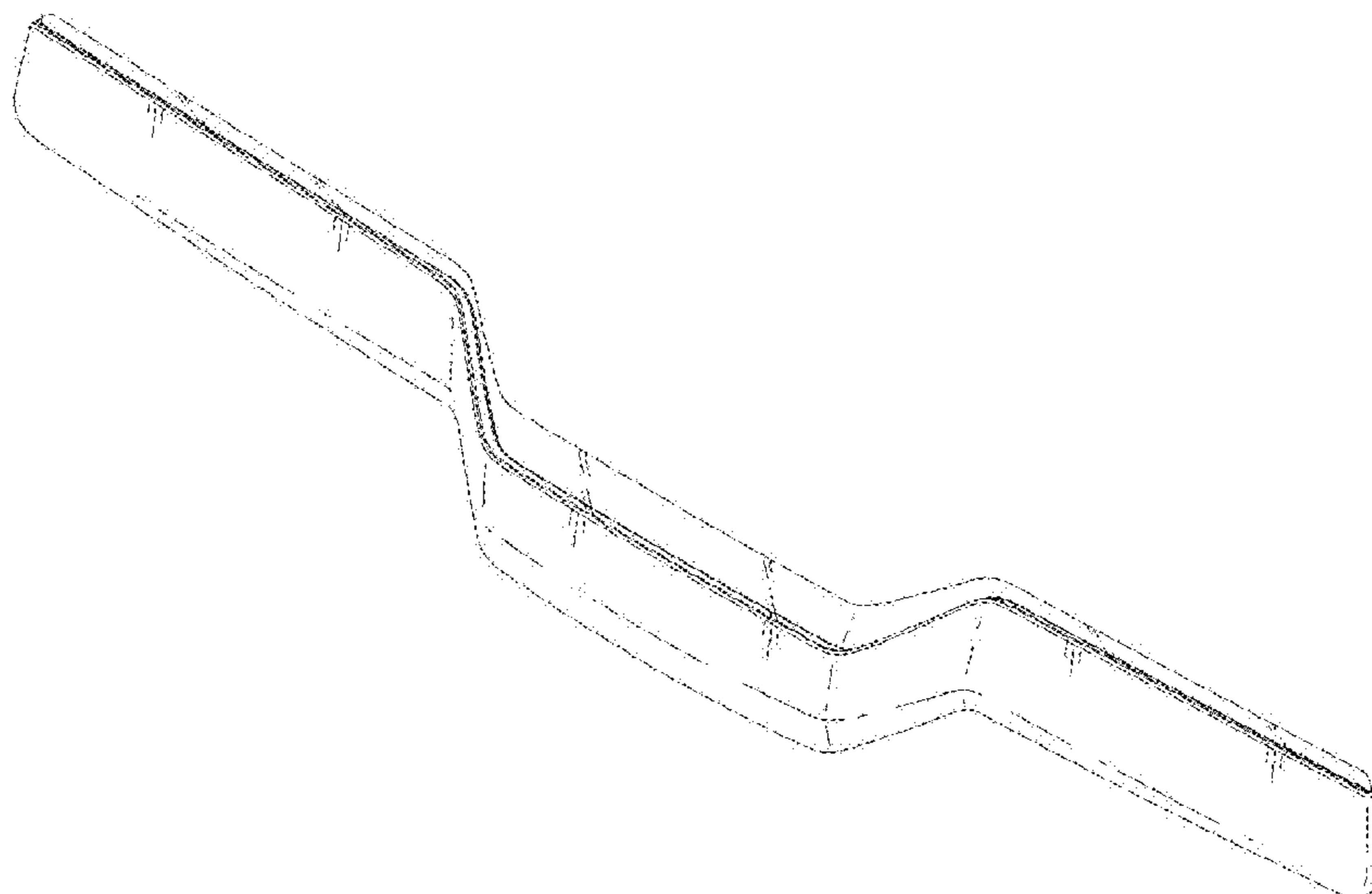
The broken lines shown in the drawings illustrate environmental structure and form no part of the claimed design.

(56) **References Cited**

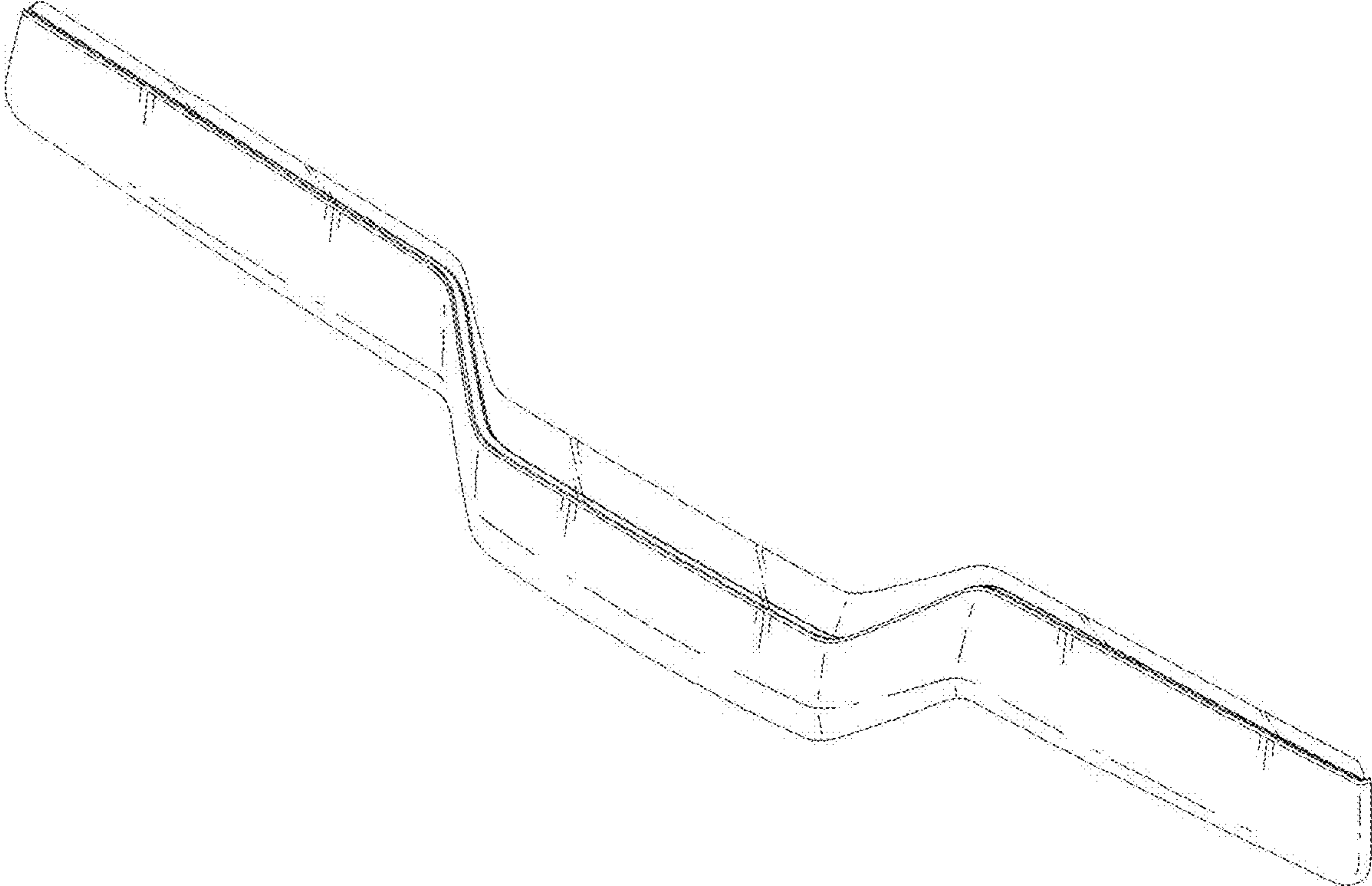
**U.S. PATENT DOCUMENTS**

D423,703 S \* 4/2000 Shaw ..... D26/35  
D534,669 S \* 1/2007 Saward ..... D10/114.1

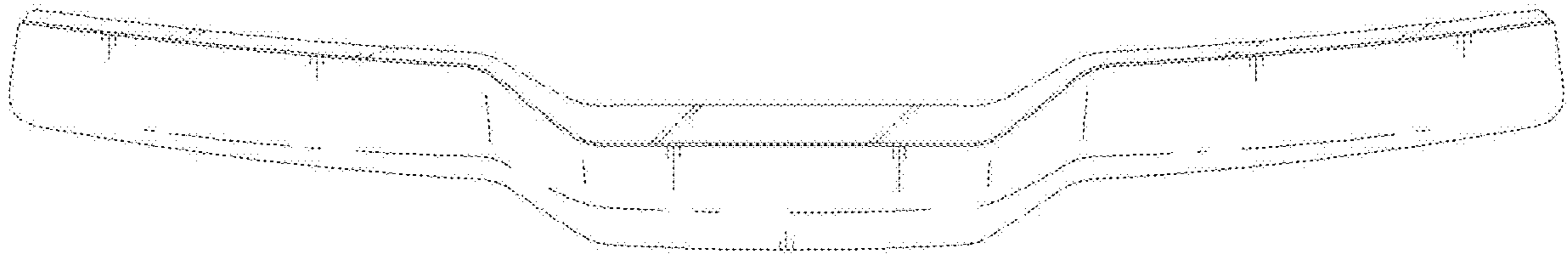
**1 Claim, 7 Drawing Sheets**



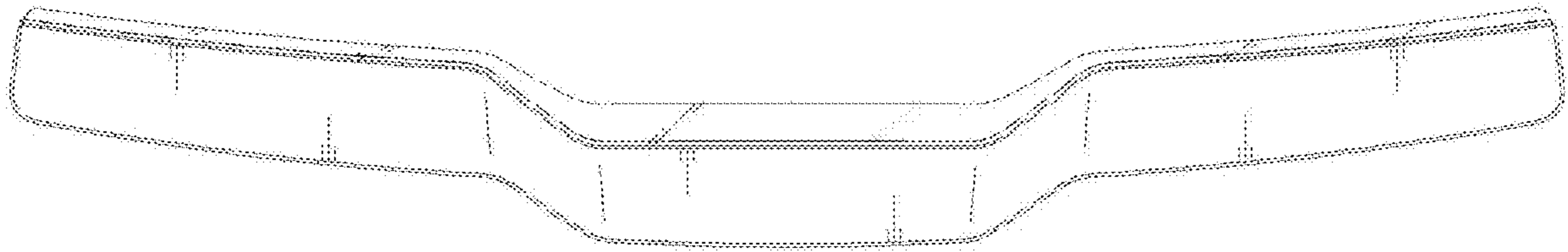
1.1



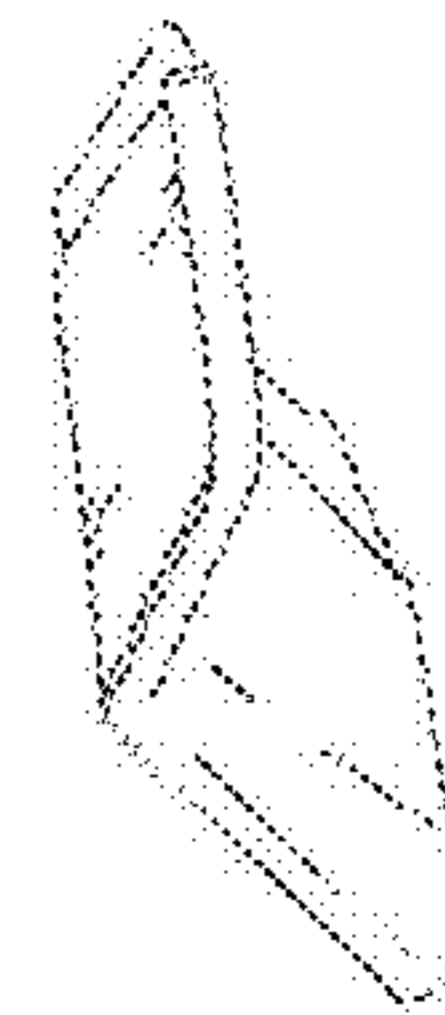
1.2



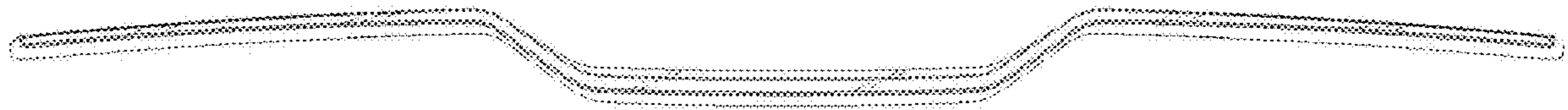
1.3



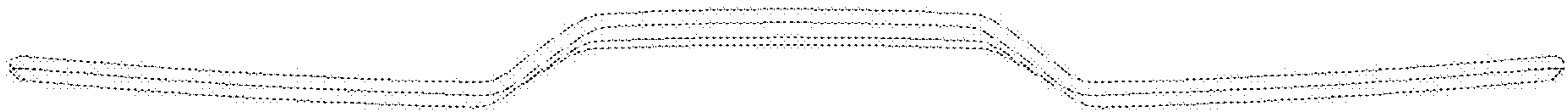
1.4



1.5



1.6



1.7

