



US00D927029S

(12) **United States Design Patent**  
**Yang**

(10) **Patent No.:** **US D927,029 S**

(45) **Date of Patent:** **\*\* Aug. 3, 2021**

(54) **LED LICENSE PLATE LIGHT HOUSING**

(71) Applicant: **Zijiang Yang**, Fontana, CA (US)

(72) Inventor: **Zijiang Yang**, Fontana, CA (US)

(\*\*) Term: **15 Years**

(21) Appl. No.: **29/727,482**

(22) Filed: **Mar. 11, 2020**

(51) **LOC (13) Cl.** ..... **26-06**

(52) **U.S. Cl.**  
USPC ..... **D26/28**

(58) **Field of Classification Search**  
USPC ..... D26/28, 29, 30, 31, 32, 33, 34, 35, 36,  
D26/44  
CPC ..... F21S 48/00; F21S 48/10; F21S 48/115;  
F21S 48/225; F21S 48/1233; F21S  
48/1266; F21S 48/1388; F21S 48/2268;  
F21V 21/04; F21W 2103/35; F21W 3/40;  
F21W 2102/17; F21W 2102/30; F21W  
2103/00; F21W 2103/55; F21W 2104/00;  
F21W 2107/17; F21W 2107/13  
See application file for complete search history.

(56) **References Cited**

**U.S. PATENT DOCUMENTS**

D585,149 S \* 1/2009 Rogers ..... D26/28  
D620,159 S \* 7/2010 Beigel ..... D26/28  
D640,181 S \* 6/2011 Calvin ..... D12/345

D699,375 S \* 2/2014 Ueda ..... D26/37  
D709,212 S \* 7/2014 Peltola ..... D26/28  
D740,469 S \* 10/2015 Gipaya ..... D26/28  
D748,832 S \* 2/2016 Huang ..... D26/28  
D764,084 S \* 8/2016 Huntley ..... D26/28  
D775,382 S \* 12/2016 Platto ..... D26/28  
D850,672 S \* 6/2019 McGinley ..... D26/28  
D851,296 S \* 6/2019 McGinley ..... D26/28  
D892,367 S \* 8/2020 Ko ..... D26/28  
D912,861 S \* 3/2021 Canepa ..... D26/28

\* cited by examiner

*Primary Examiner* — Angela J Lee

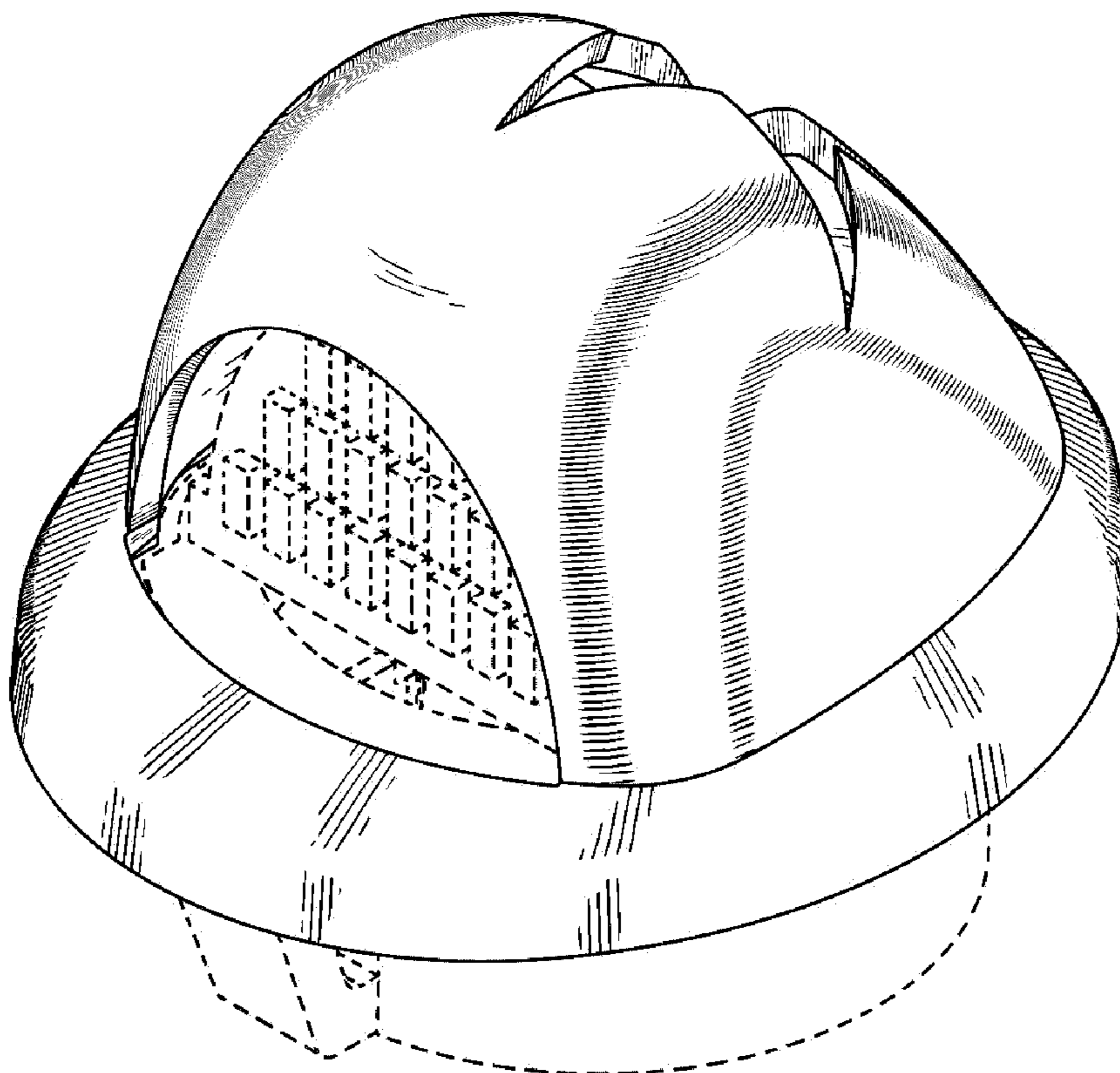
(57) **CLAIM**

I claim the ornamental design for a LED license plate light housing, as shown and described.

**DESCRIPTION**

FIG. 1 is a front isometric view of a LED license plate light housing showing my new design.  
FIG. 2 is a rear isometric view thereof.  
FIG. 3 is a front elevation view thereof.  
FIG. 4 is a rear elevation view thereof.  
FIG. 5 is a side elevation view thereof, with the opposite side being dentical to that shown.  
FIG. 6 is a top plan view thereof; and,  
FIG. 7 is a bottom plan view thereof.  
The broken lines are for environmental purposes only and form no part of the claimed design.  
The claimed LED license plate light housing is characterized by the star-shaped cut on the top portion of the design.

**1 Claim, 5 Drawing Sheets**



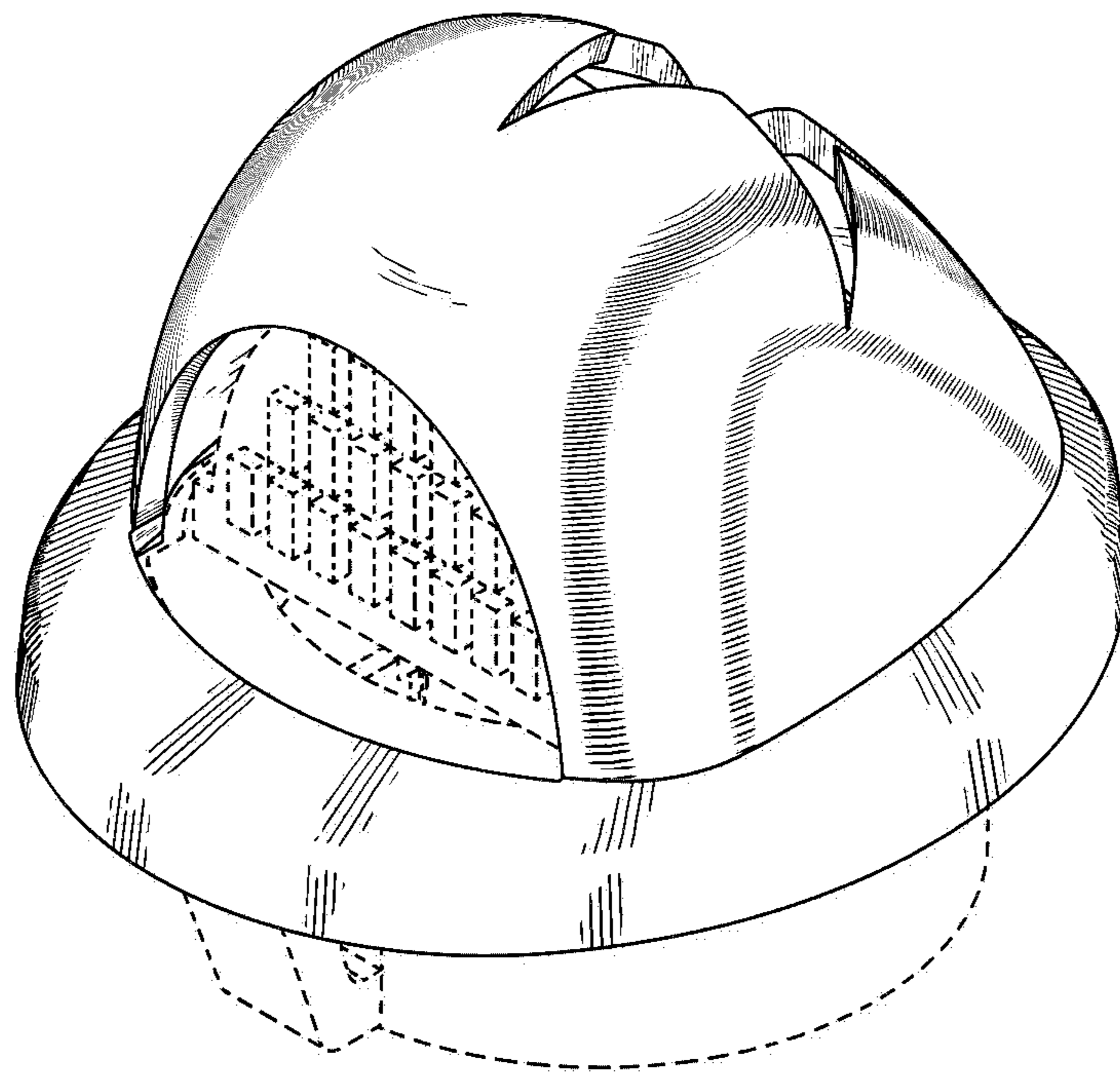


Fig. 1

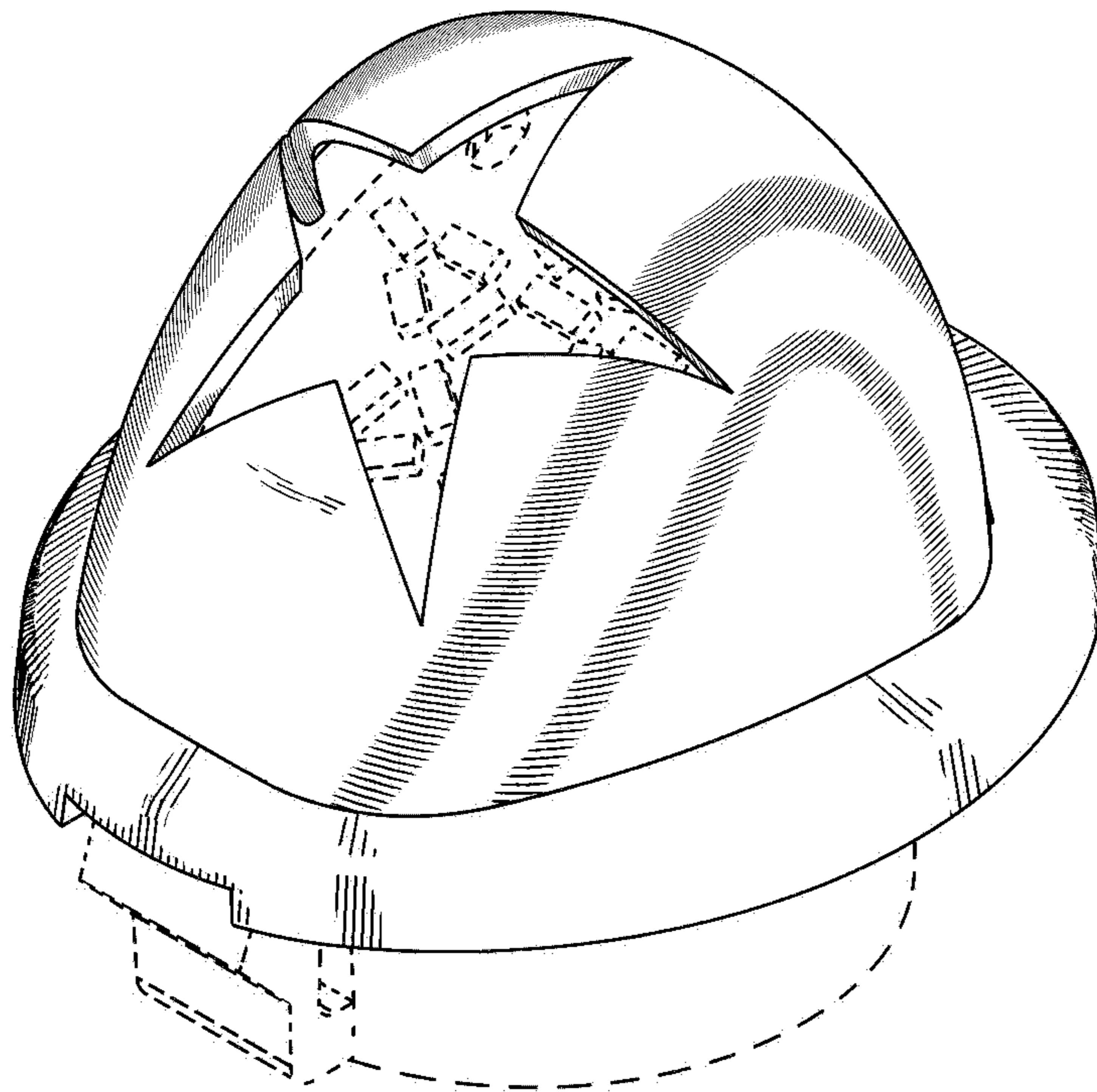


Fig. 2

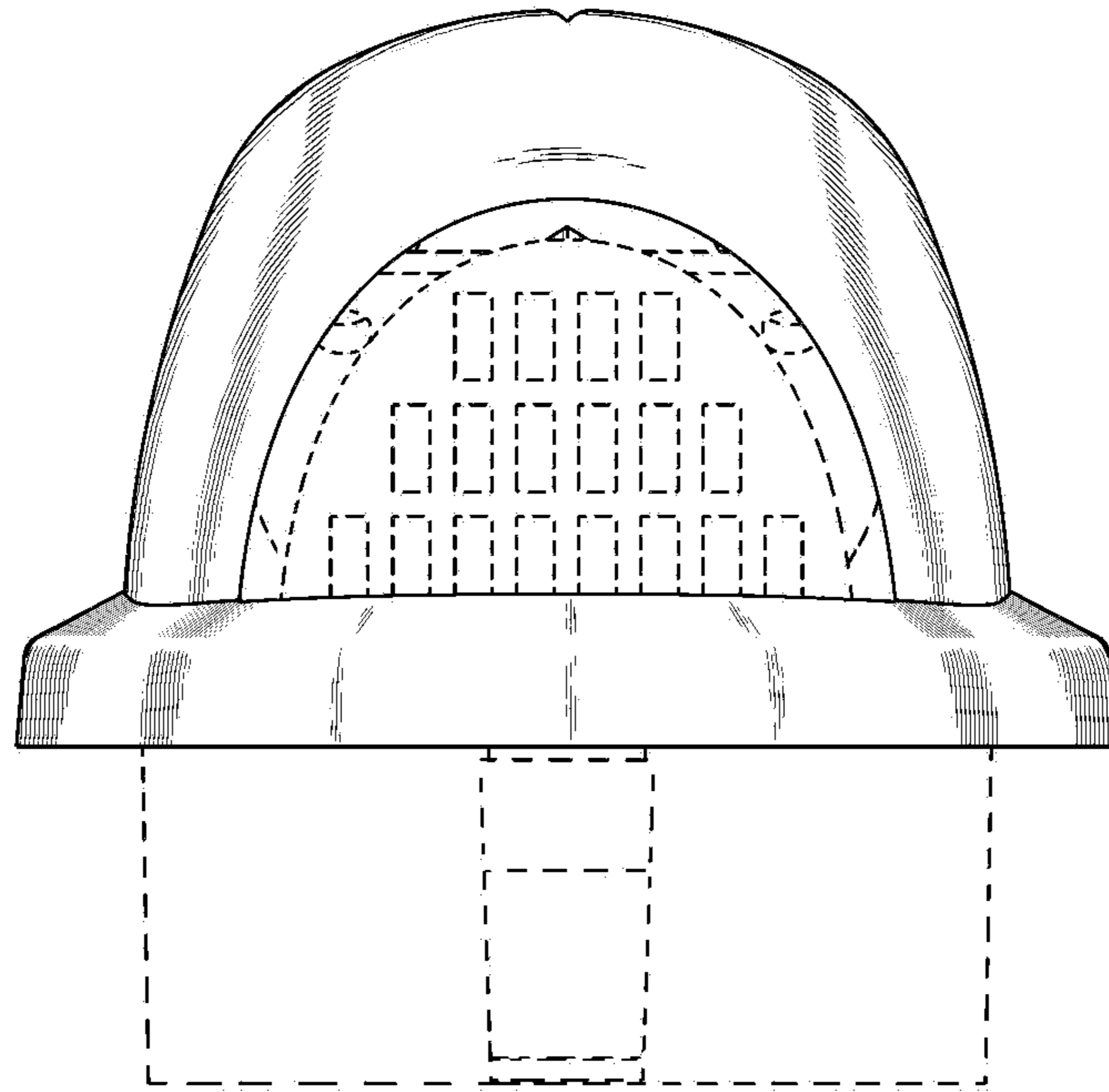


Fig. 3

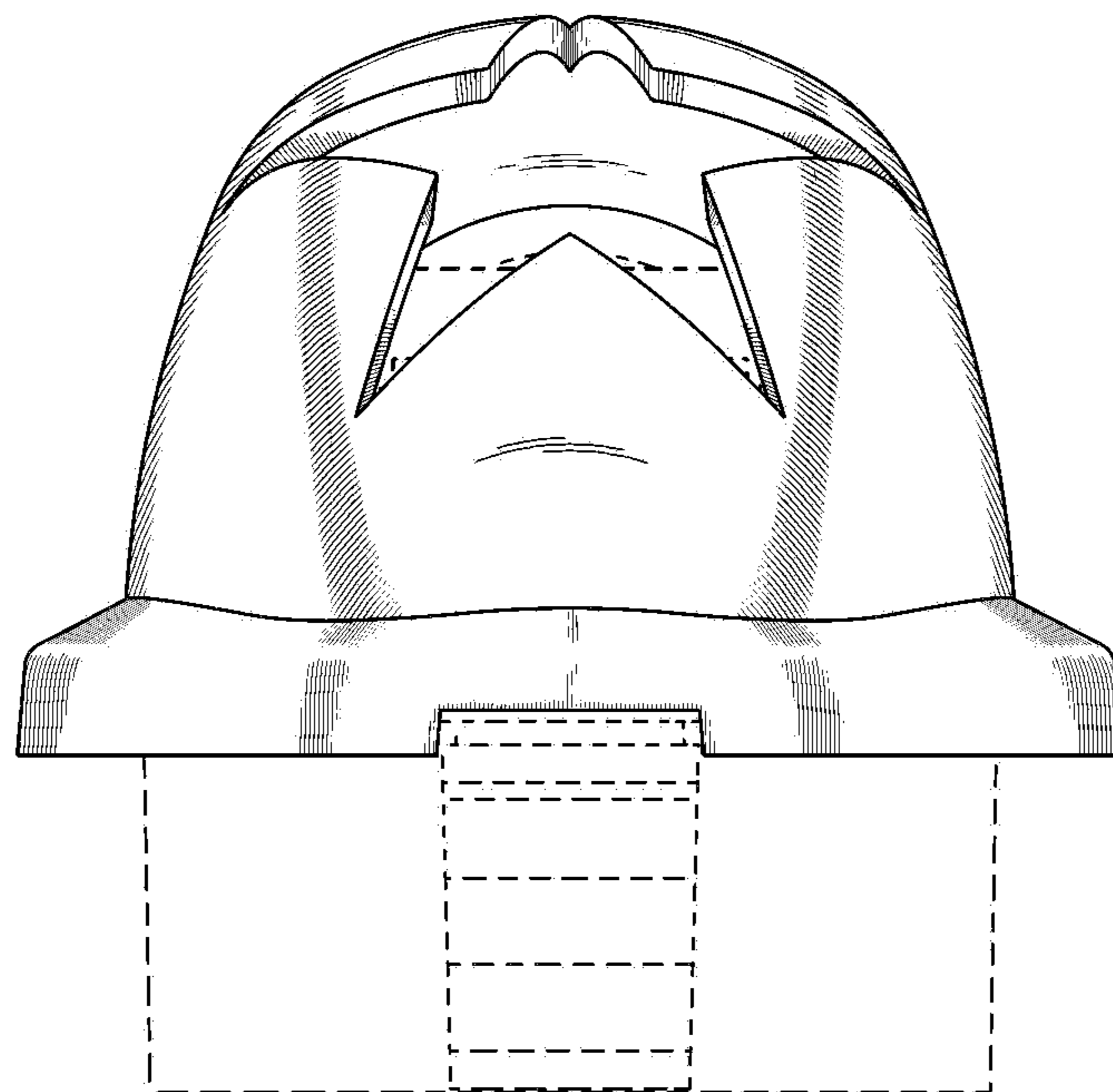


Fig. 4

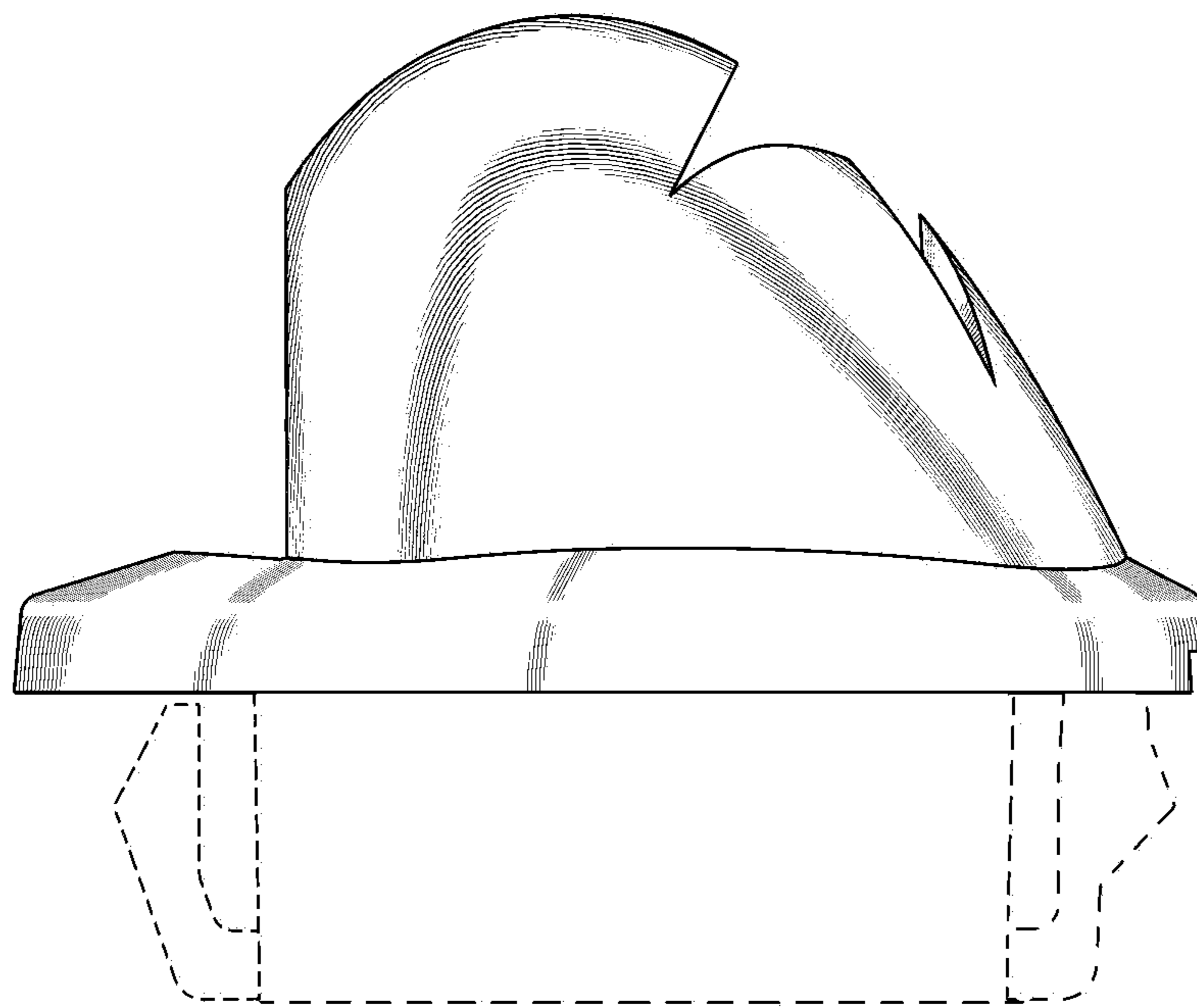


Fig. 5

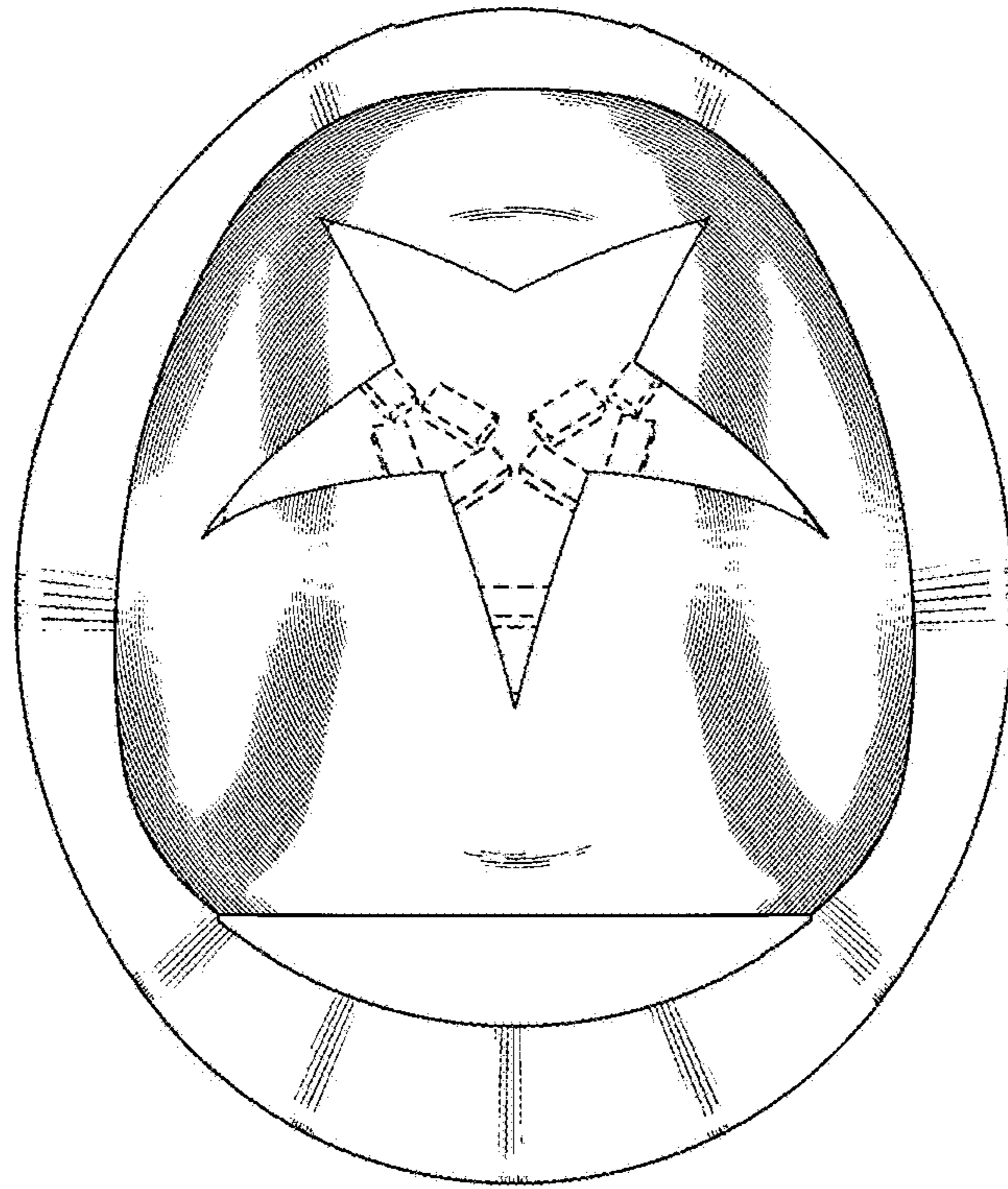


Fig. 6

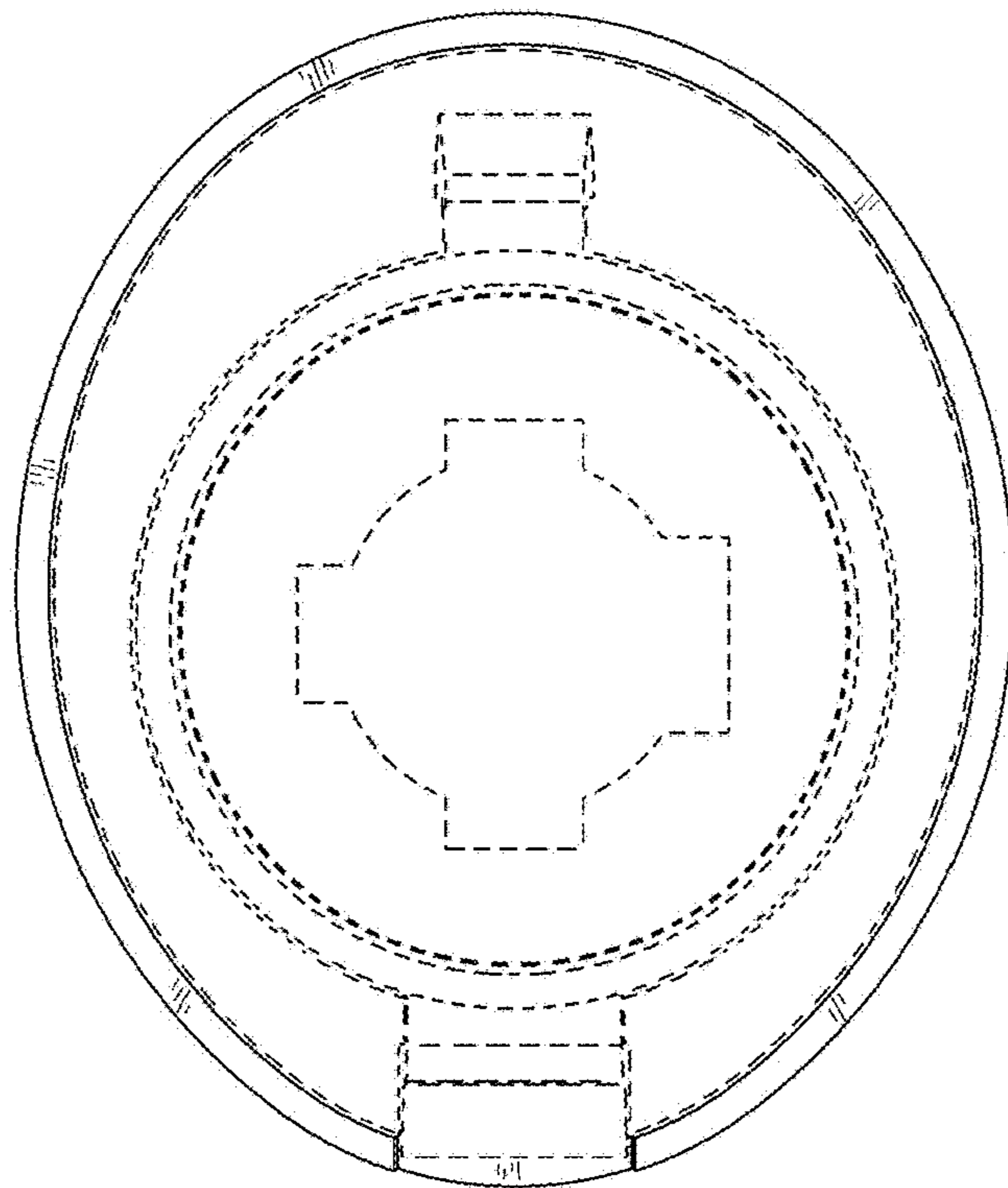


Fig. 7