



US00D927028S

(12) **United States Design Patent**
Zheng

(10) **Patent No.:** **US D927,028 S**

(45) **Date of Patent:** **** Aug. 3, 2021**

(54) **AUTOMOTIVE LED LIGHT**

(71) Applicant: **Yong Zheng**, Guangdong (CN)

(72) Inventor: **Yong Zheng**, Guangdong (CN)

(73) Assignee: **Guangzhou Dingcheng Electronic Technology Co., Ltd.**, Guangdong (CN)

(**) Term: **15 Years**

(21) Appl. No.: **29/698,900**

(22) Filed: **Jul. 22, 2019**

(51) **LOC (13) Cl.** **26-06**

(52) **U.S. Cl.**
USPC **D26/28**

(58) **Field of Classification Search**
USPC D26/28, 29, 30, 31, 32, 33, 34, 35, 36,
D26/44

CPC F21S 48/00; F21S 48/10; F21S 48/115;
F21S 48/225; F21S 48/1233; F21S
48/1266; F21S 48/1388; F21S 48/2268;
F21V 21/04; F21W 2103/35; F21W 3/40;
F21W 2102/17; F21W 2102/30; F21W
2103/00; F21W 2103/55; F21W 2104/00;
F21W 2107/17; F21W 2107/13

See application file for complete search history.

(56) **References Cited**

U.S. PATENT DOCUMENTS

D846,775 S * 4/2019 Yan D26/28
D861,936 S * 10/2019 Li D26/28

D867,632 S * 11/2019 Wu D26/28
D869,031 S * 12/2019 Zhang D26/28
10,548,200 B1 * 1/2020 Xu F21K 9/278
D876,682 S * 2/2020 Yan D26/28
D884,229 S * 5/2020 Huang D26/28
D889,000 S * 6/2020 Zheng D26/28
D892,370 S * 8/2020 Yan D26/28
D894,449 S * 8/2020 Wang D26/28
D899,639 S * 10/2020 Li D26/28
D899,640 S * 10/2020 Li D26/28
D903,169 S * 11/2020 Xu D26/28

* cited by examiner

Primary Examiner — Angela J Lee

(57) **CLAIM**

The ornamental design for a automotive LED light, as shown and described.

DESCRIPTION

FIG. 1 is a top perspective view of a automotive LED light showing my new design;

FIG. 2 is a bottom perspective view of a automotive LED light thereof;

FIG. 3 is a front elevation view thereof;

FIG. 4 is a rear elevation view thereof;

FIG. 5 is a left side elevation view thereof;

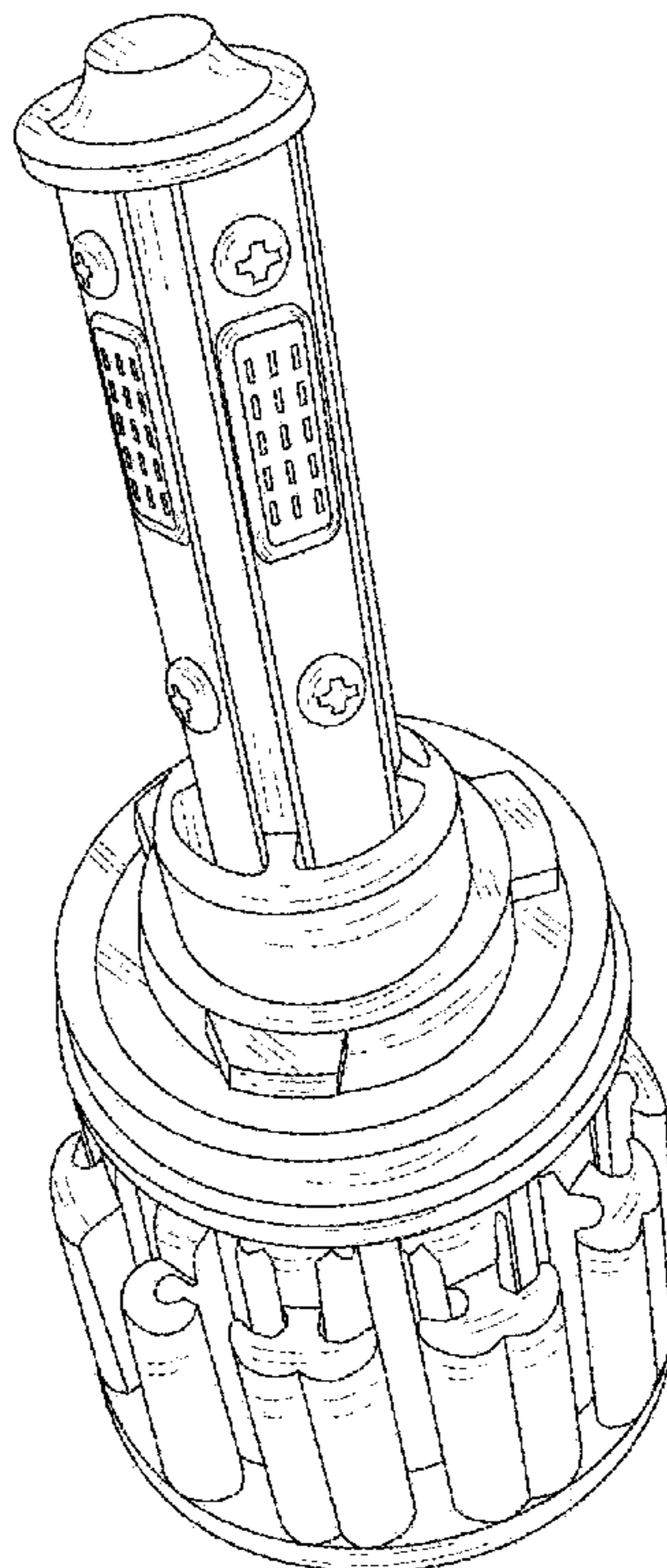
FIG. 6 is a right side elevation view thereof;

FIG. 7 is a top plan view thereof; and,

FIG. 8 is a bottom plan view thereof.

The broken lines in the figures depict portions of the automotive LED light and form no part of the claimed design.

1 Claim, 8 Drawing Sheets



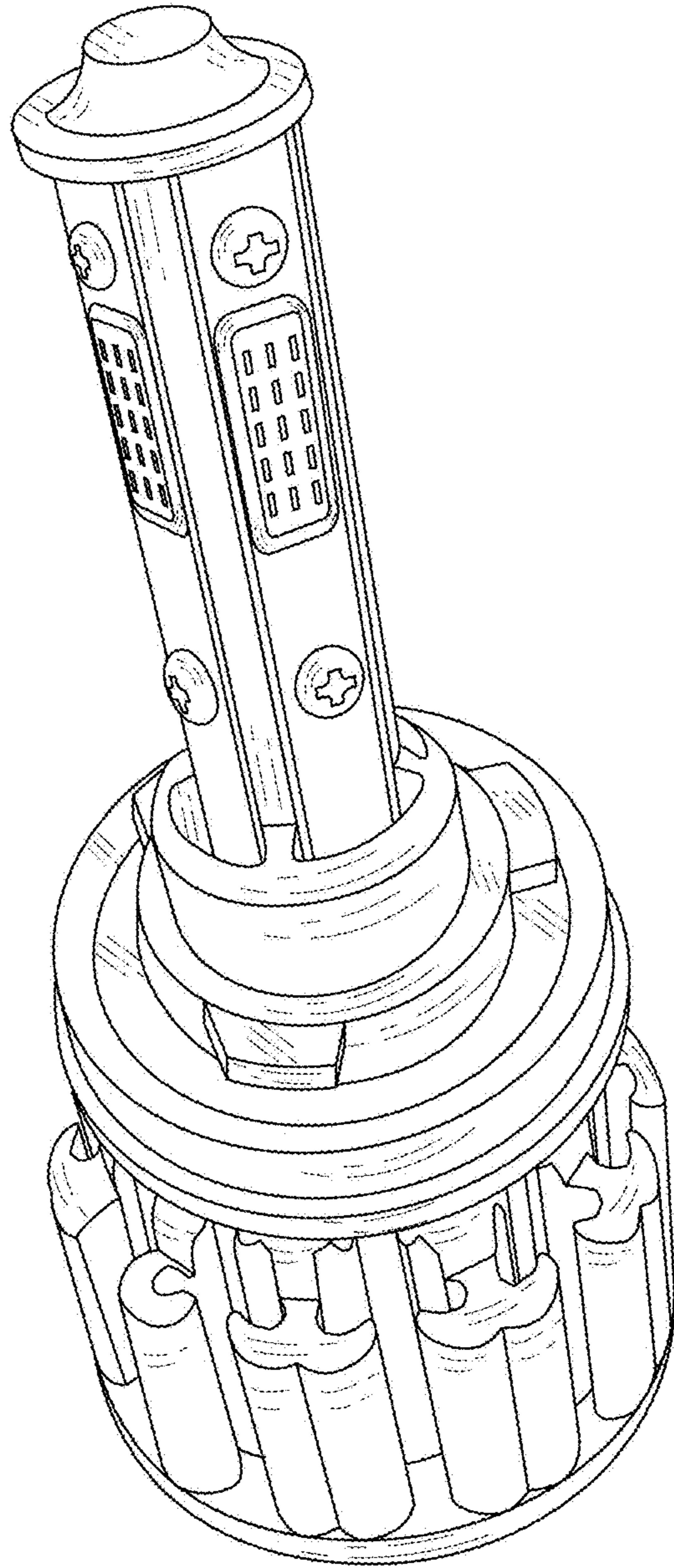


FIG.1

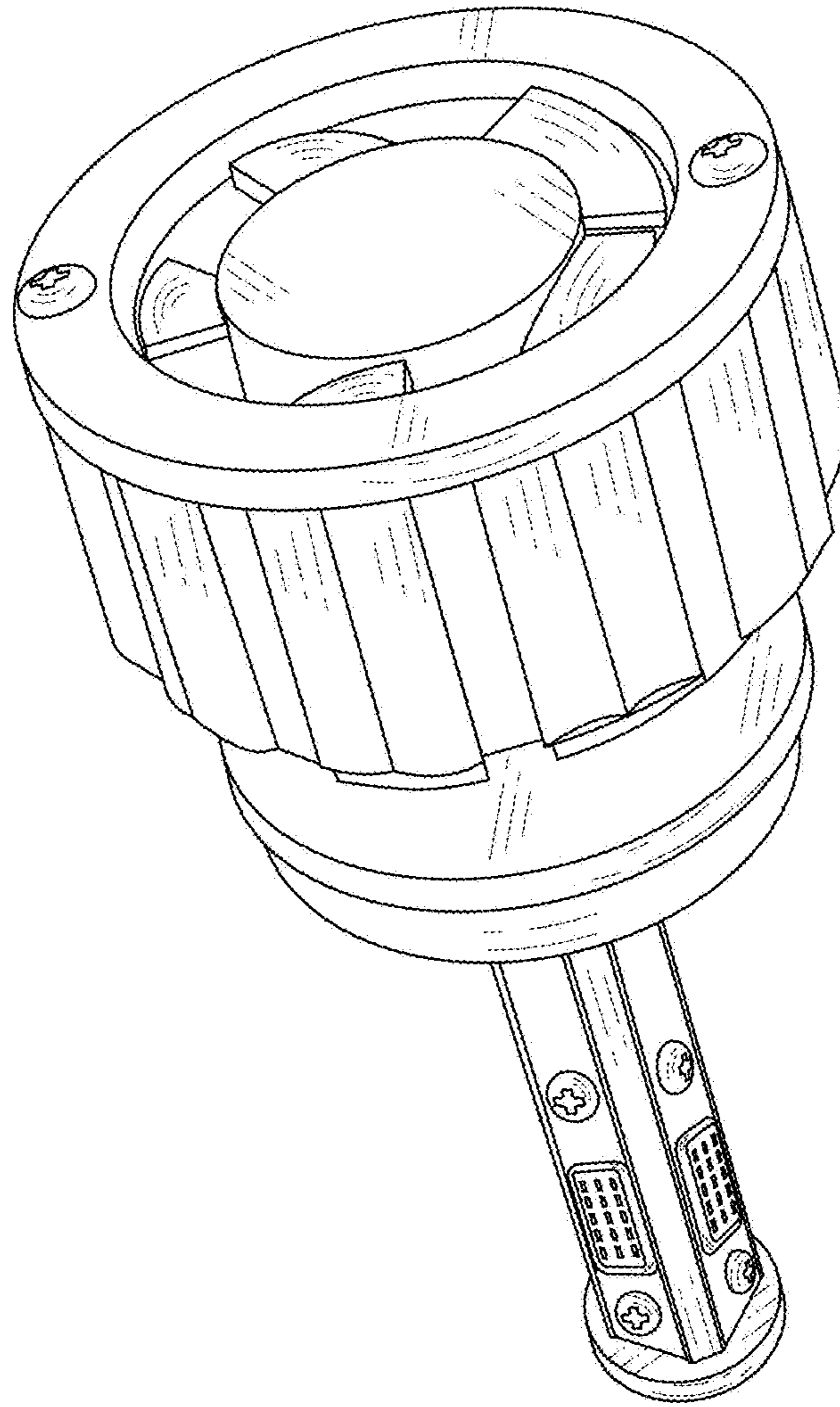


FIG.2

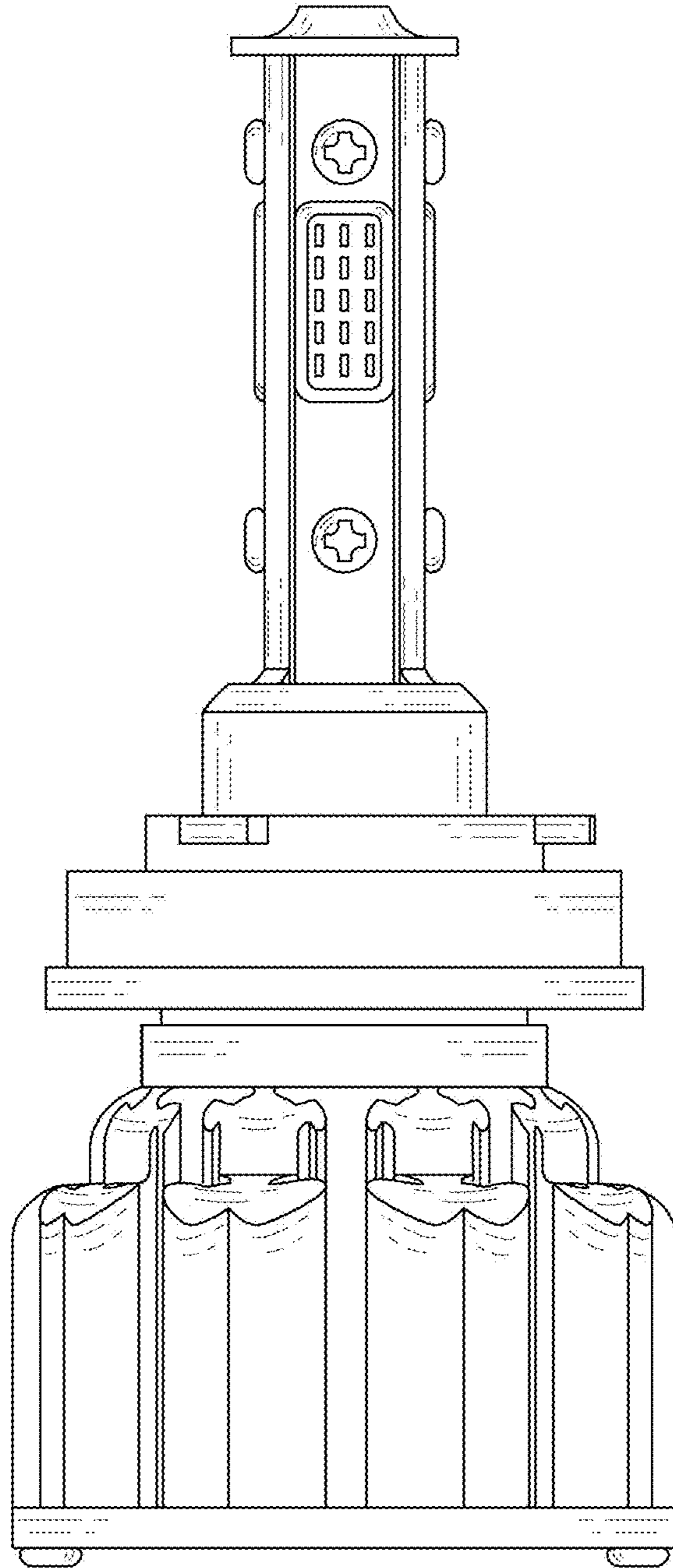


FIG.3

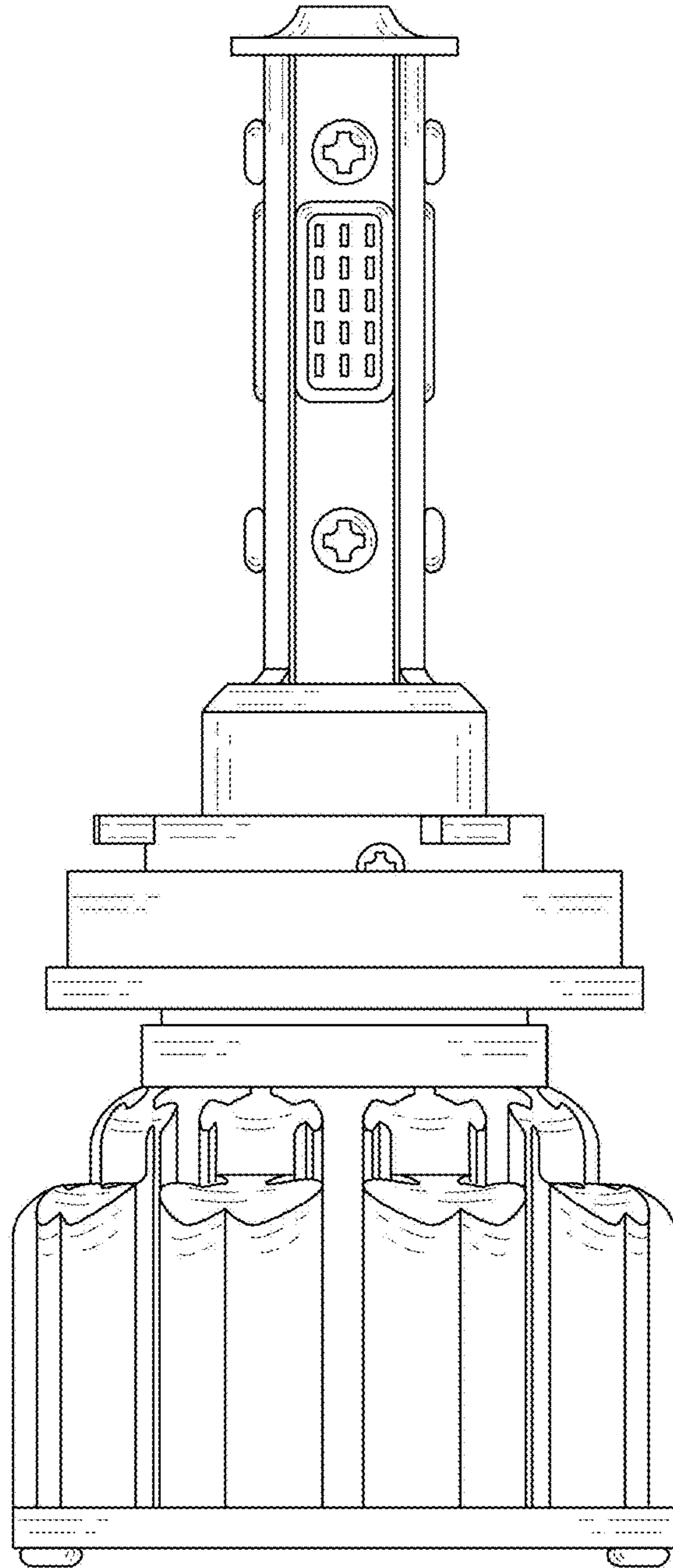


FIG.4

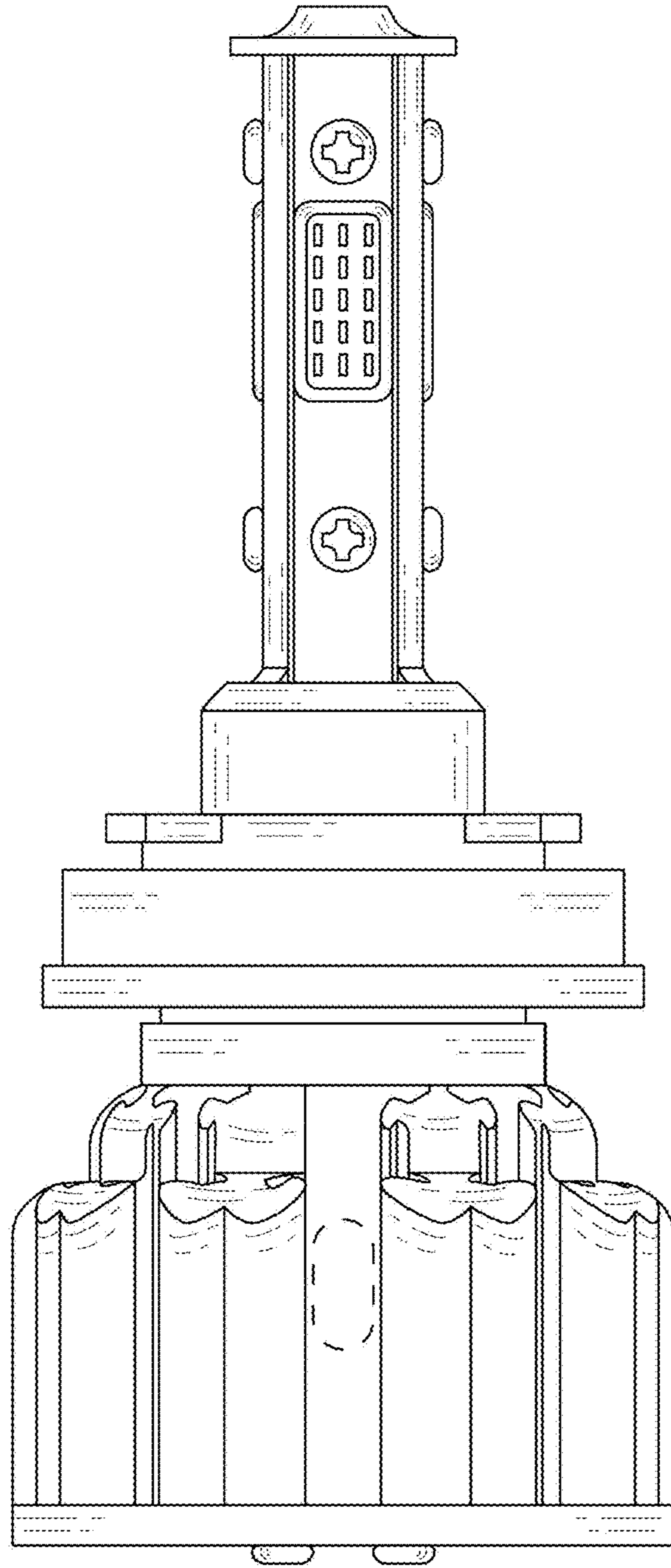


FIG. 5

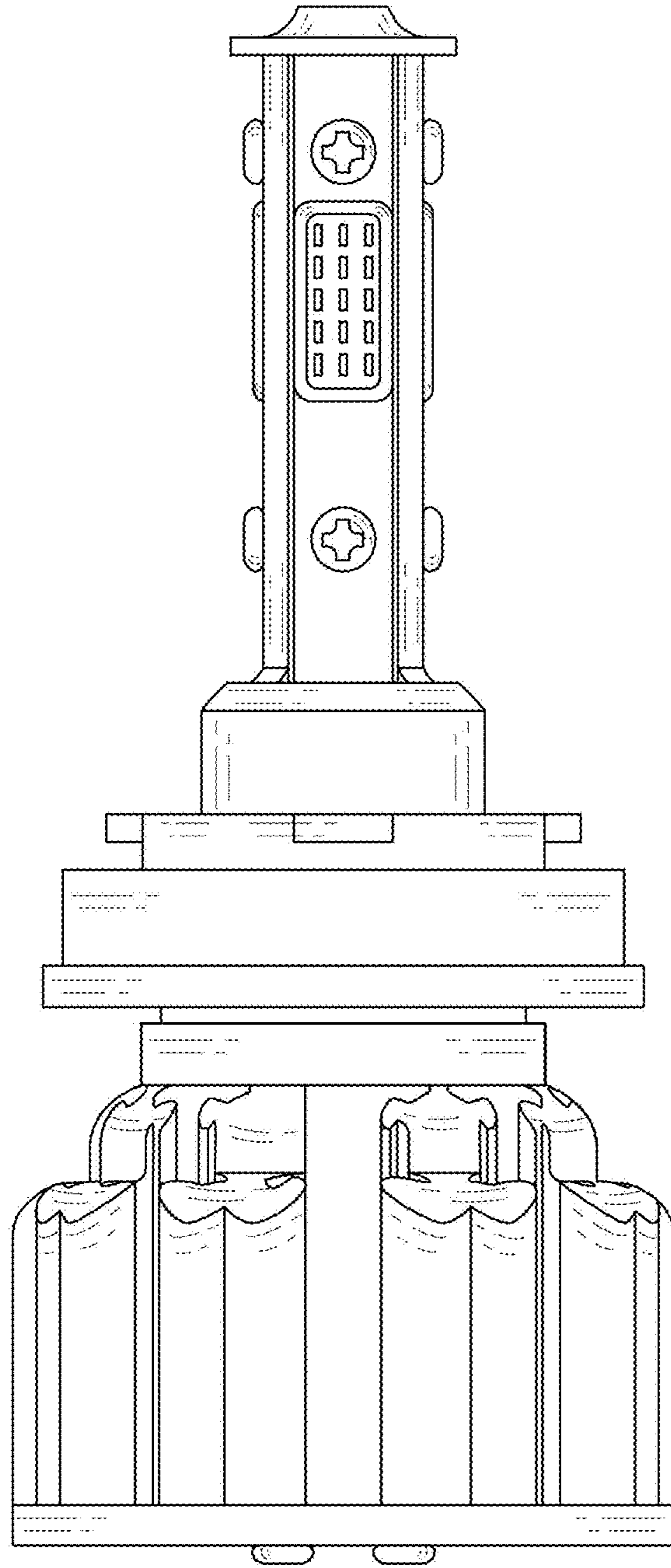


FIG. 6

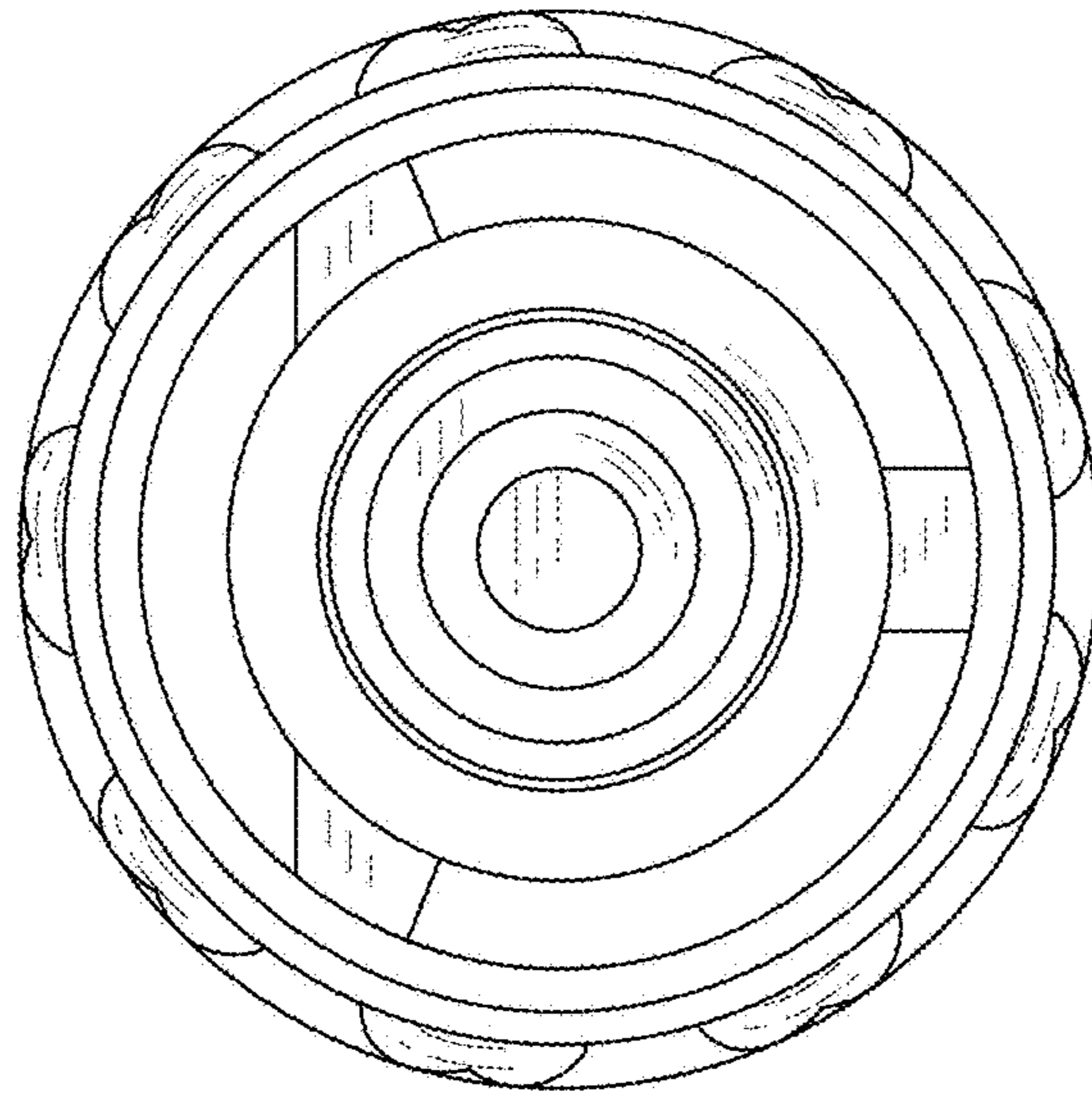


FIG. 7

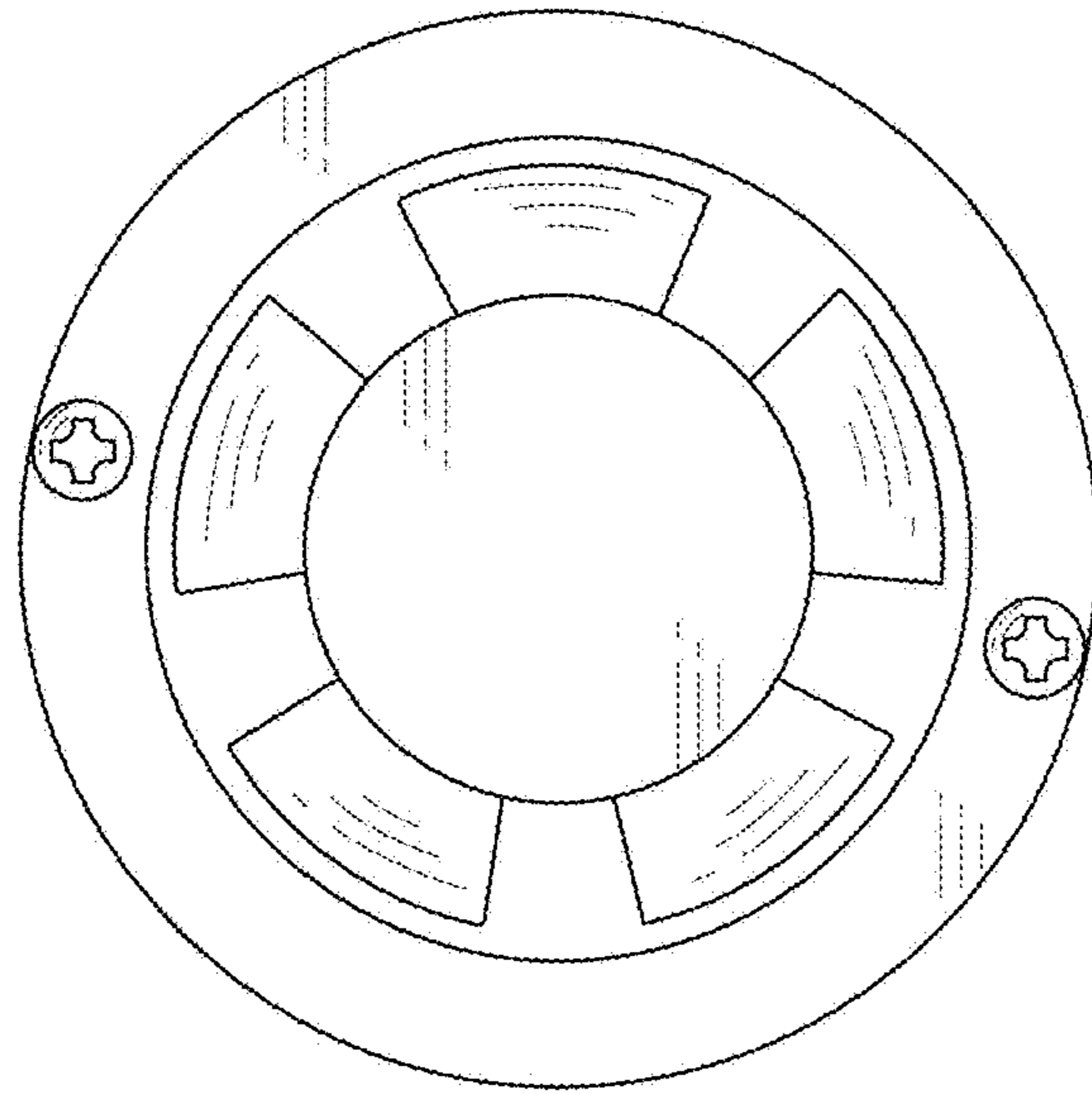


FIG. 8