



US00D927026S

(12) **United States Design Patent** (10) **Patent No.:** **US D927,026 S**  
**Kentley-Klay et al.** (45) **Date of Patent:** **\*\* Aug. 3, 2021**

(54) **LAMP FOR A VEHICLE**

(71) Applicant: **Zoox, Inc.**, Foster City, CA (US)  
(72) Inventors: **Timothy David Kentley-Klay**,  
Stanford, CA (US); **Richard Luke Osellame**,  
Redwood City, CA (US); **Nahuel Elias Battaglia**,  
Stanford, CA (US); **Herman Francisco Delos Santos**,  
Redwood City, CA (US); **Christopher John Stoffel**,  
San Carlos, CA (US)

(73) Assignee: **Zoox, Inc.**, Foster City, CA (US)

(\*\*) Term: **15 Years**

(21) Appl. No.: **29/655,169**

(22) Filed: **Jun. 29, 2018**

(51) **LOC (13) Cl.** ..... **26-06**

(52) **U.S. Cl.**  
USPC ..... **D26/28**

(58) **Field of Classification Search**  
USPC ..... D26/28-36, 139  
CPC ..... F21S 48/00; F21S 48/10; F21S 48/115;  
F21S 48/225; F21S 48/1233; F21S  
48/1266; F21S 48/1388; F21S 48/2268;  
F21V 21/04; F21V 29/004; B60Q 9/13;  
B60Q 9/135; B60Q 9/1375

See application file for complete search history.

(56) **References Cited**

**U.S. PATENT DOCUMENTS**

D685,936 S *	7/2013	Suzuki	.....	D26/28
D765,285 S *	8/2016	Lai	.....	D26/28
D796,095 S *	8/2017	Huang	.....	D26/28
D800,933 S *	10/2017	Chiu	.....	D26/28
D852,994 S *	7/2019	Morgenstern	.....	D26/28
D857,264 S *	8/2019	Goodrich	.....	D26/28

**OTHER PUBLICATIONS**

Chinese Office Action dated Feb. 21, 2020 for Chinese Patent Application No. 201830770711.6, a counterpart of U.S. Appl. No. 29/655,169, 2 pages.

\* cited by examiner

*Primary Examiner* — Marcus A Jackson  
(74) *Attorney, Agent, or Firm* — Lee & Hayes, P.C.

(57) **CLAIM**

The ornamental design for a lamp for a vehicle, as shown and described.

**DESCRIPTION**

FIG. 1 is a front perspective view of a lamp for a vehicle. The design includes a mirror image of the embodiment depicted;

FIG. 2 is a front view thereof;  
FIG. 3 is a back view thereof;  
FIG. 4 is a left-side view thereof;  
FIG. 5 is a right-side view thereof;  
FIG. 6 is a top view thereof; and,  
FIG. 7 is a bottom view thereof.

The dashed broken lines depict portions of the lamp for a vehicle or environment of the lamp for a vehicle which form no part of the claimed design. The dot-dashed broken lines represent boundaries of the claimed lamp for a vehicle and form no part of the claimed design.

The Applicant reserves the right to: 1) convert some or all of the broken lines to solid lines; or 2) convert selected solid lines to broken lines during the course of prosecution and/or in one or more continuation applications, since the figures convey that the inventors had possession of the solid line features and the broken line features as of the date of filing.

**1 Claim, 7 Drawing Sheets**





FIG. 1

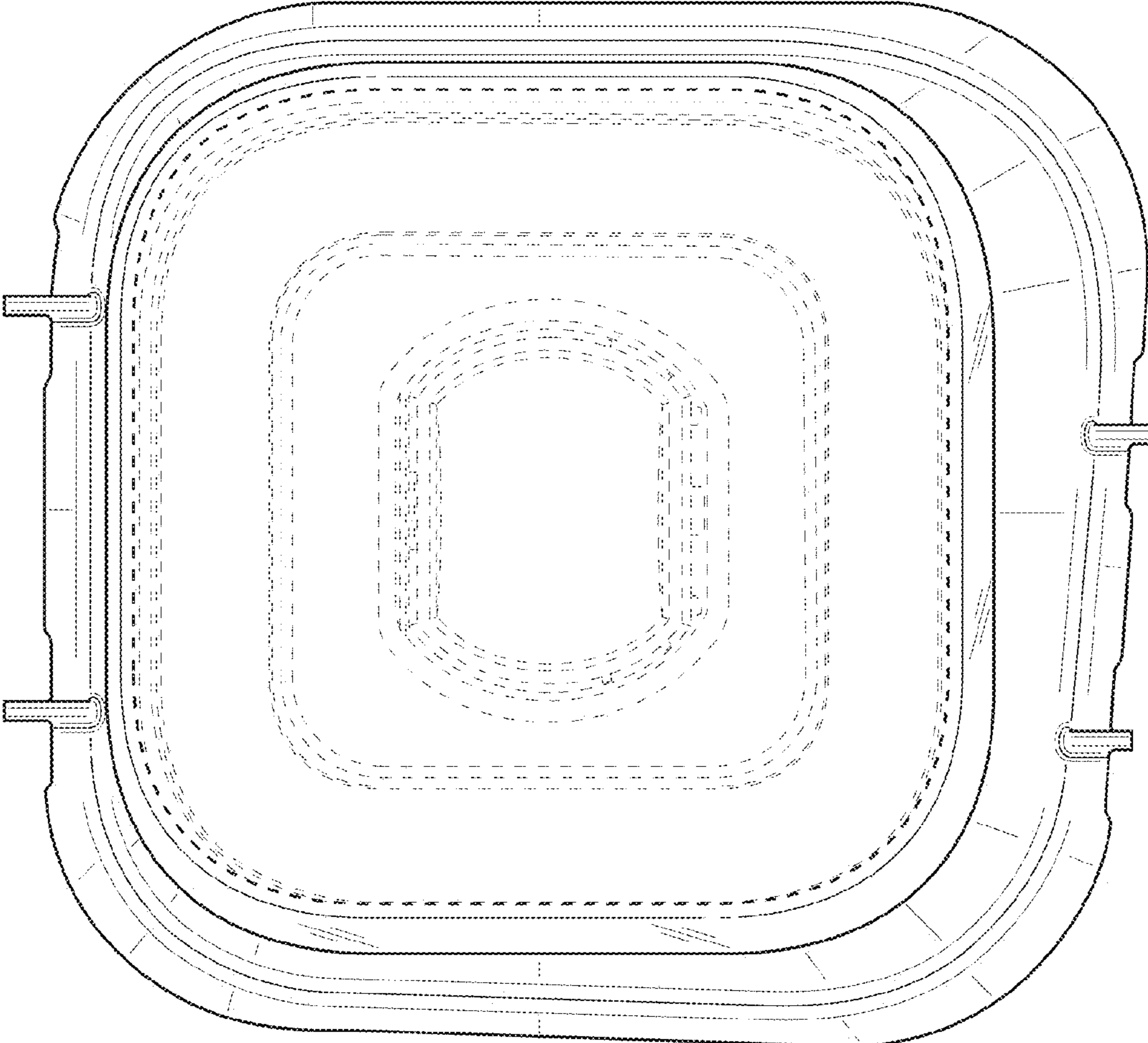


FIG. 2



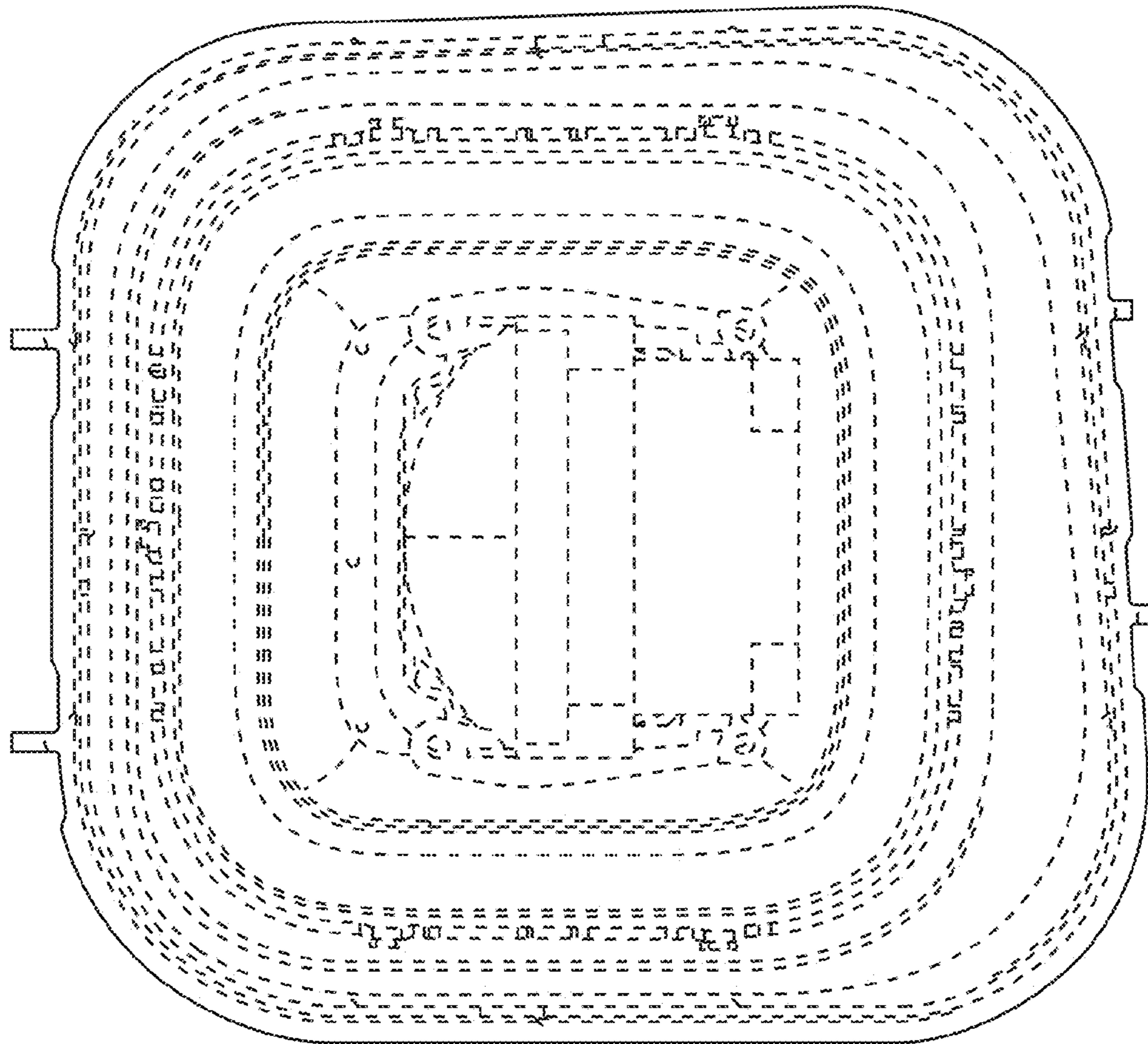


FIG. 3

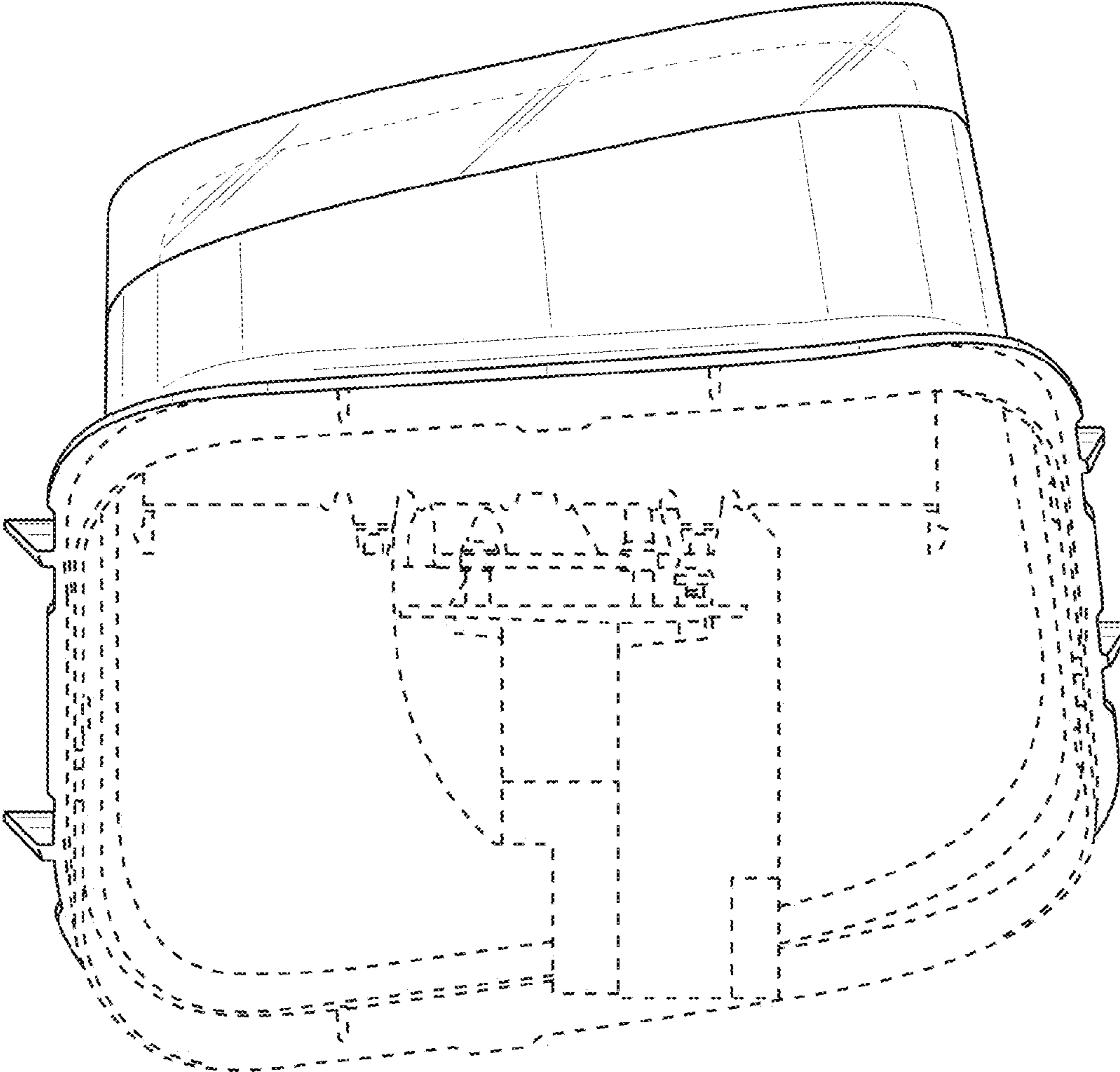


FIG. 4

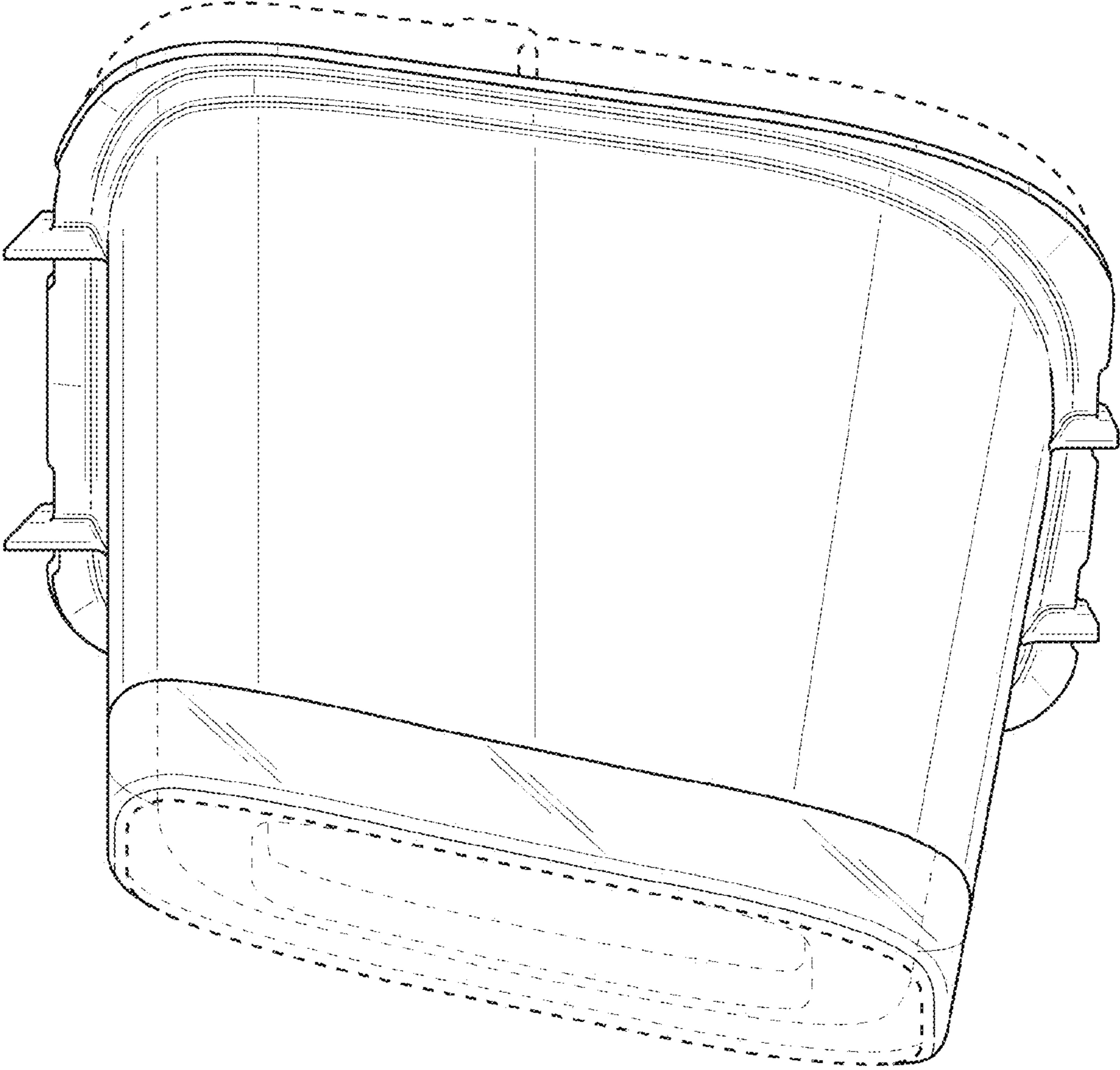


FIG. 5

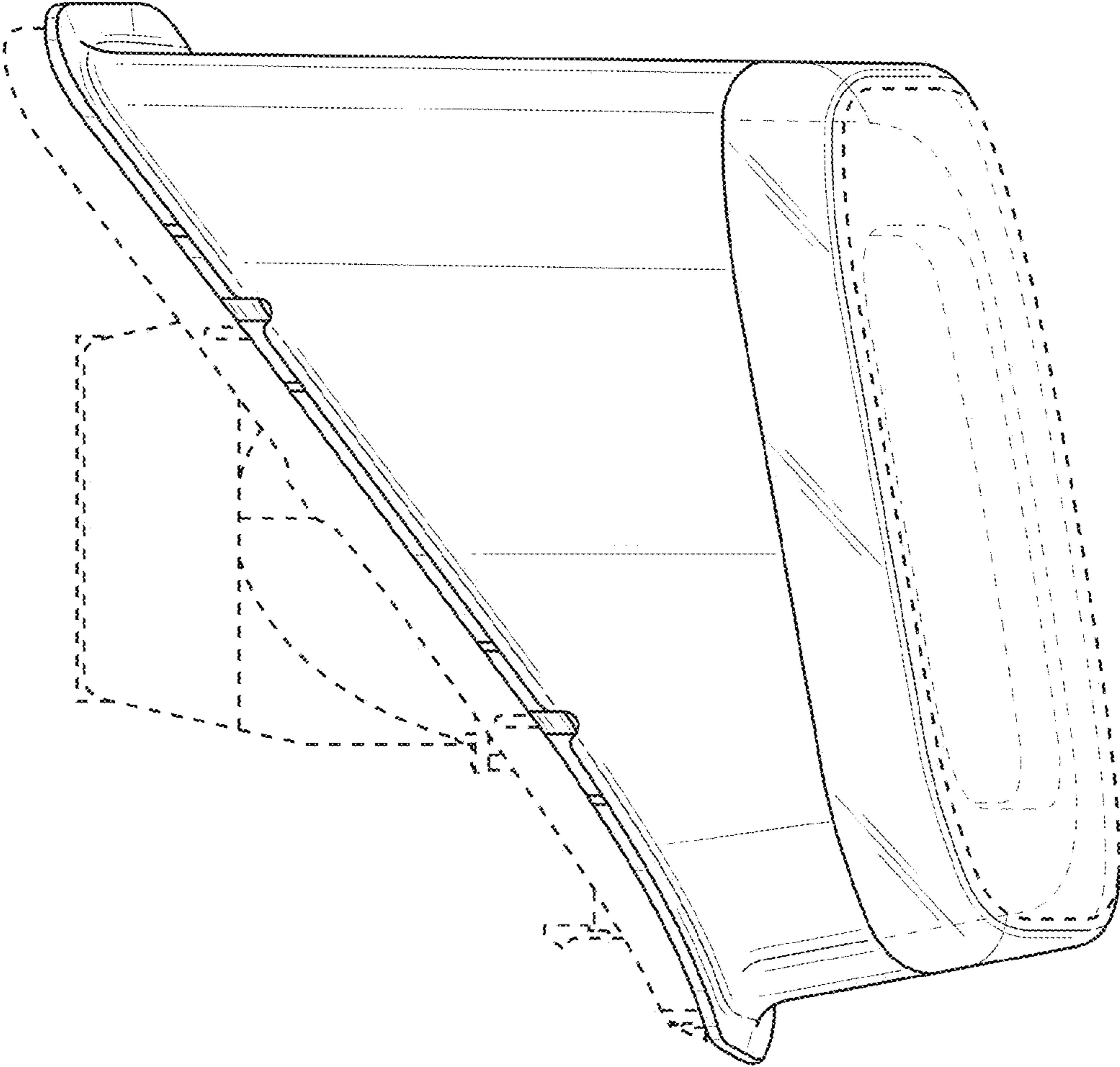


FIG. 6

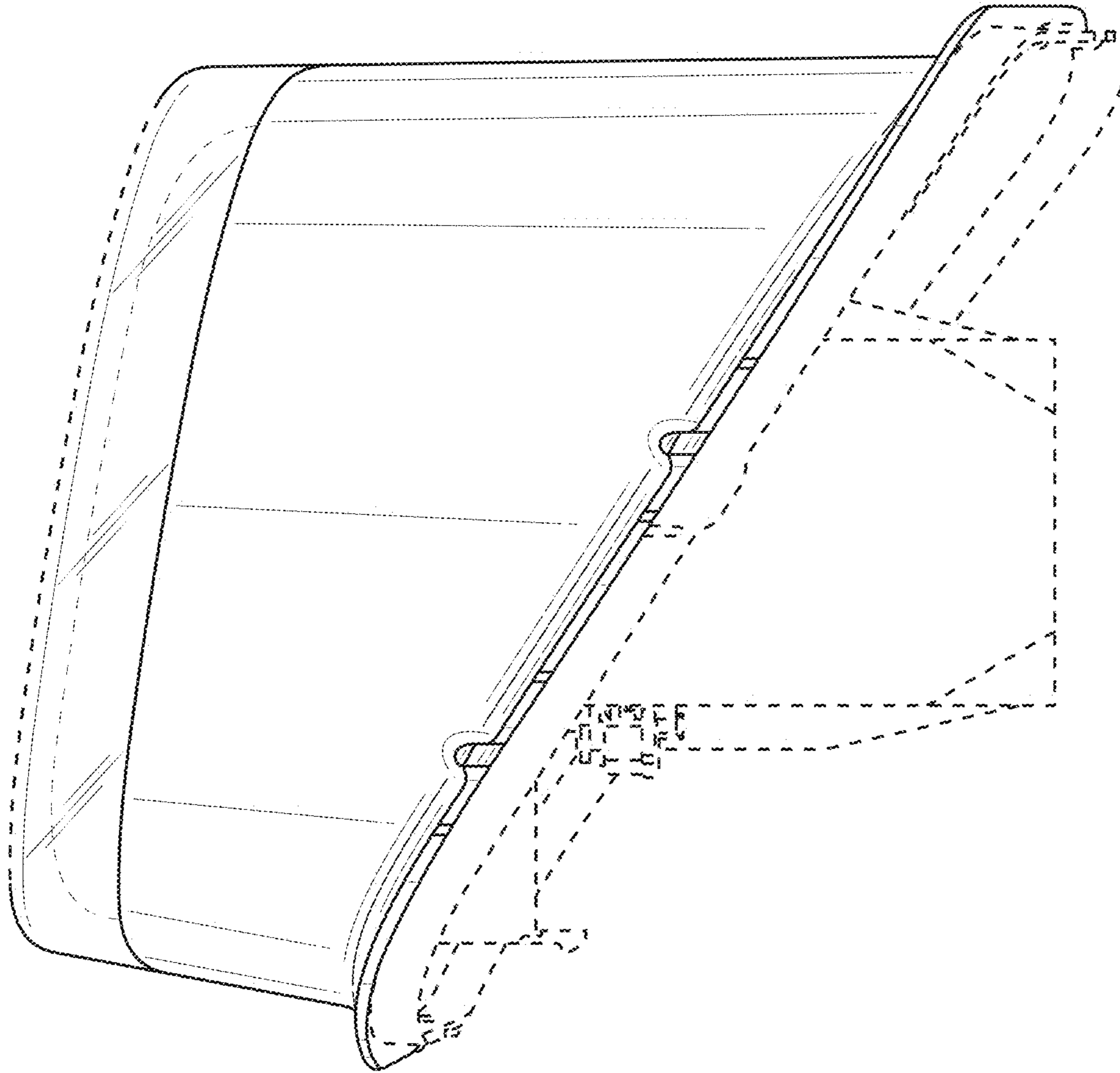


FIG. 7