



US00D927025S

(12) **United States Design Patent** (10) **Patent No.:** **US D927,025 S**  
**Keen** (45) **Date of Patent:** **\*\* Aug. 3, 2021**

(54) **JOINT SYSTEM FOR CONCRETE SLABS**

FOREIGN PATENT DOCUMENTS

(71) Applicant: **RCR Flooring Products Ltd,**  
Ivybridge (GB)

EM 001223838-0002 \* 7/2010  
EM 001307375-0003 \* 1/2012  
EM 005651213-0001 \* 12/2018

(72) Inventor: **Andrew Keen,** Ivybridge (GB)

(73) Assignee: **RCR Flooring Products Ltd,**  
Ivybridge (GB)

(\*\*) Term: **15 Years**

(21) Appl. No.: **29/684,312**

(22) Filed: **Mar. 20, 2019**

(30) **Foreign Application Priority Data**

Sep. 20, 2018 (EM) ..... 005651213

(51) **LOC (13) Cl.** ..... **25-01**

(52) **U.S. Cl.**  
USPC ..... **D25/199**

(58) **Field of Classification Search**  
USPC ..... D8/349, 354, 356, 366, 373, 376, 377,  
D8/380; D25/164, 199  
CPC ..... E01D 19/06; E01C 11/04; E01C 11/06;  
E01C 11/08; E01C 11/14; E04F 13/06  
See application file for complete search history.

(56) **References Cited**

U.S. PATENT DOCUMENTS

4,332,504 A \* 6/1982 Arai ..... E01D 19/06  
14/73.1  
D710,038 S \* 7/2014 Keen ..... D25/199  
10,077,533 B2 \* 9/2018 Meuwissen ..... E01C 11/14  
D850,656 S \* 6/2019 Perez ..... D25/122  
2009/0145069 A1 \* 6/2009 Eve ..... E01C 11/08  
52/461  
2014/0366472 A1 \* 12/2014 Keen ..... E01C 11/06  
52/396.05  
2016/0097203 A1 \* 4/2016 Rodler ..... E04F 13/06  
52/393  
2020/0040535 A1 \* 2/2020 Veneri ..... E01B 11/42

OTHER PUBLICATIONS

ChristopheCORTINOVIS on Twitter RCR Flooring Products Canada  
<https://twitter.com/Kriscorti/status/1215754862106947587/photo/1>  
Posted Jan. 10, 2020 (Year: 2020).\*  
HSS Two-storey eCommerce distribution centre deploys Permaban  
Wave <https://www.hsssearch.co.uk/flooring-innovative-ecomm-warehouse>  
Posted Oct. 24, 2018 (Year: 2018).\*

(Continued)

*Primary Examiner* — Leanne Was-Englehart  
(74) *Attorney, Agent, or Firm* — Bay State IP, LLC

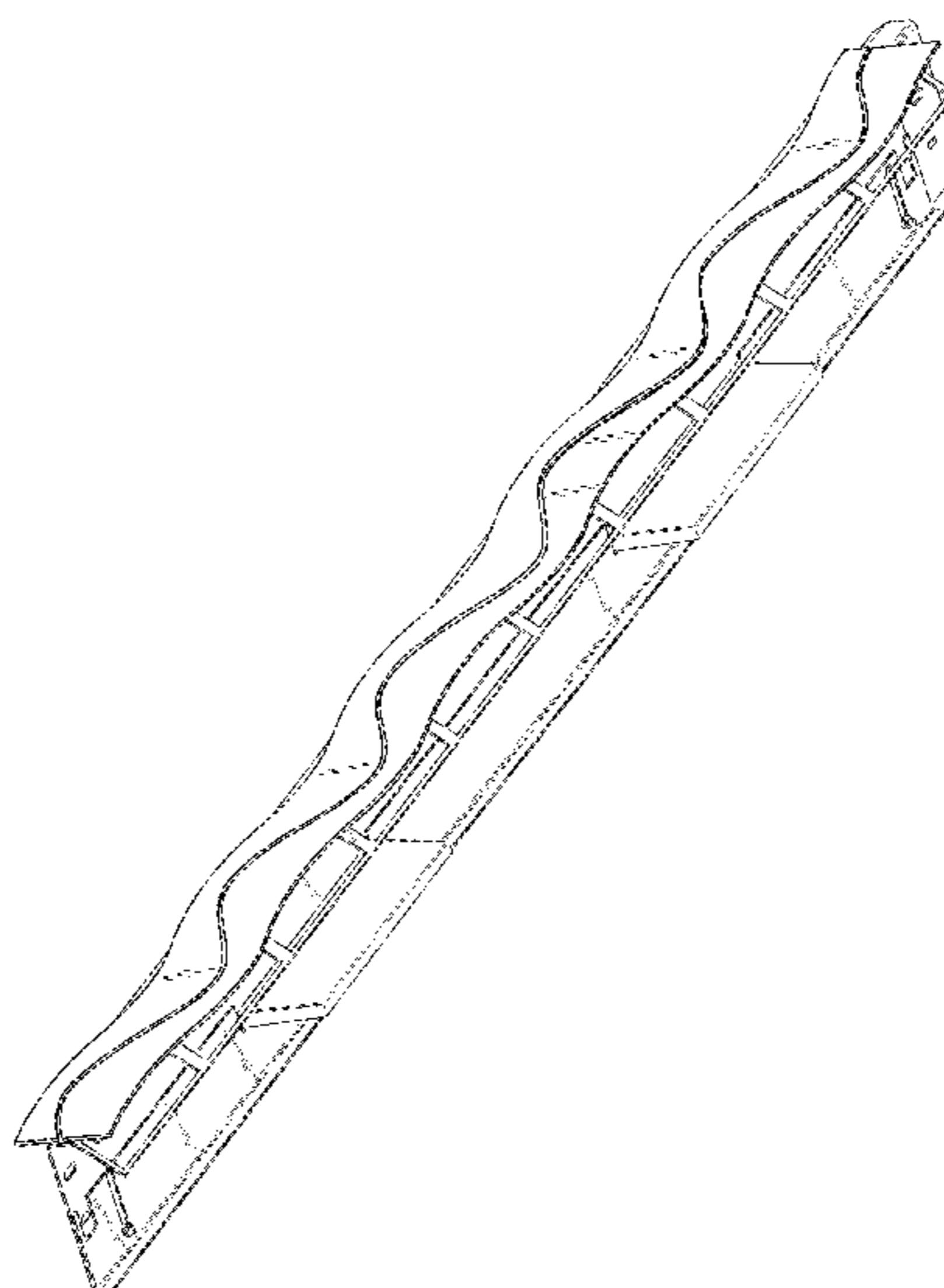
(57) **CLAIM**

The ornamental design for a joint systems for concrete slabs,  
as shown and described.

**DESCRIPTION**

FIG. 1 is a top front perspective view of the joint systems for  
concrete slabs showing my new design;  
FIG. 2 is a bottom view thereof;  
FIG. 3 is a top view thereof;  
FIG. 4 is a left side view thereof;  
FIG. 5 is a right side view thereof;  
FIG. 6 is a front view thereof;  
FIG. 7 is a rear view thereof; and,  
FIG. 8 is a top front perspective view of the joint system in  
use.  
The broken lines are intended to show the joint system in an  
environment and form no part of the claimed design.

**1 Claim, 5 Drawing Sheets**



(56)

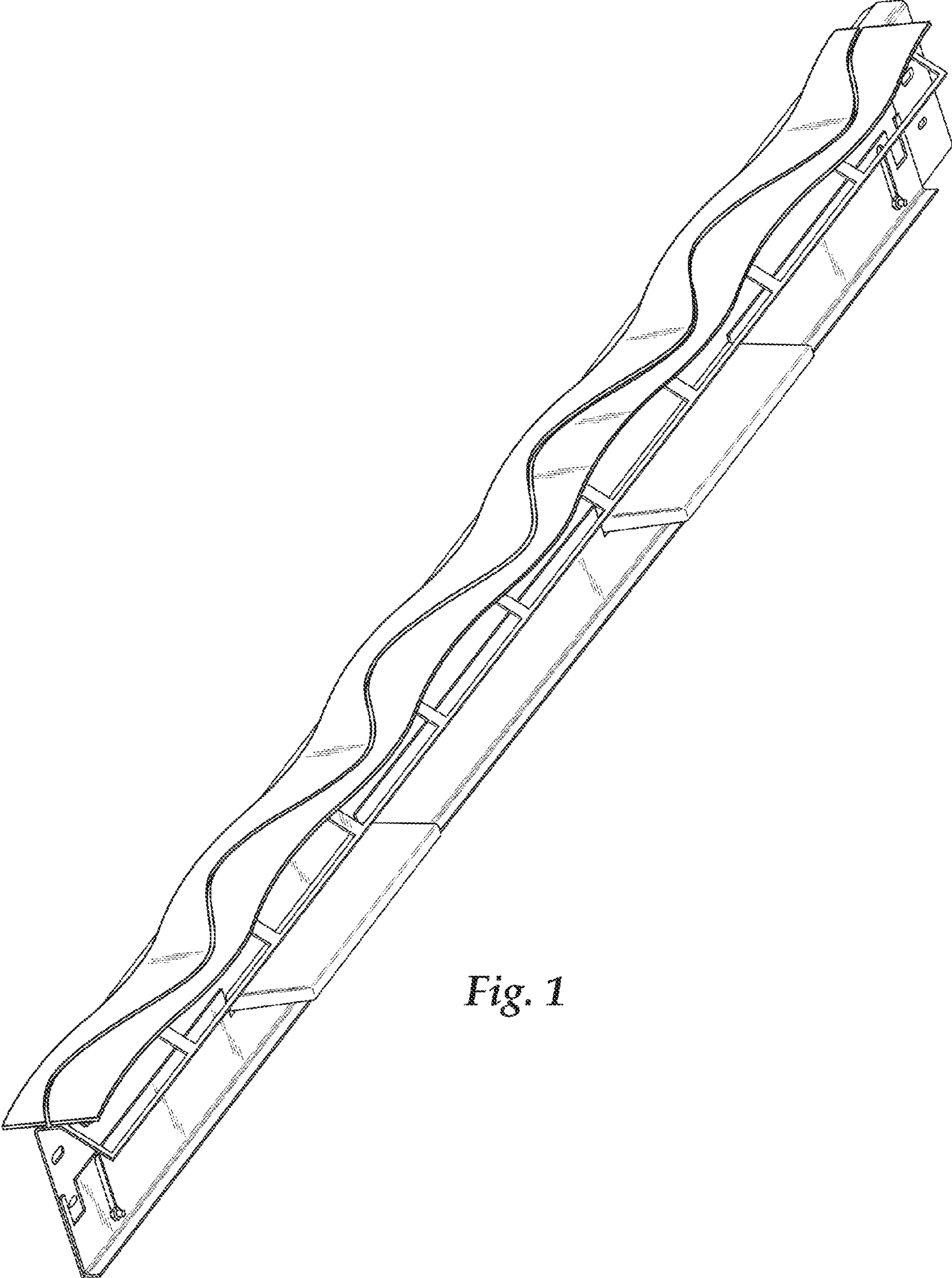
**References Cited**

OTHER PUBLICATIONS

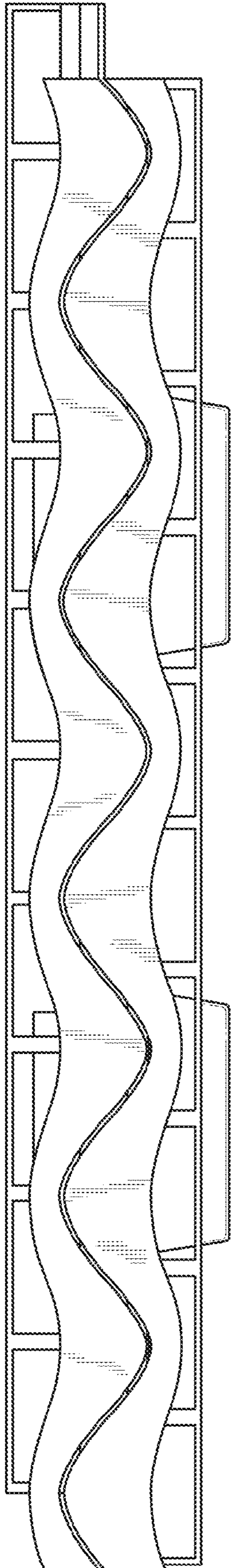
Permaban wave english description [https://www.lindec.com/download/permaban\\_wave\\_english-description.pdf](https://www.lindec.com/download/permaban_wave_english-description.pdf) Last modified Feb. 13, 2019 (Year: 2019).\*

Wave Joint with concrete V1.0 (002)—RCR Flooring Products <https://www.rcrflooringproducts.com/rcr-brings-wave-power-to-concrete-floors/wave-joint-with-concrete-v1-0-002/> Uploaded Sep. 2018 (Year: 2018).\*

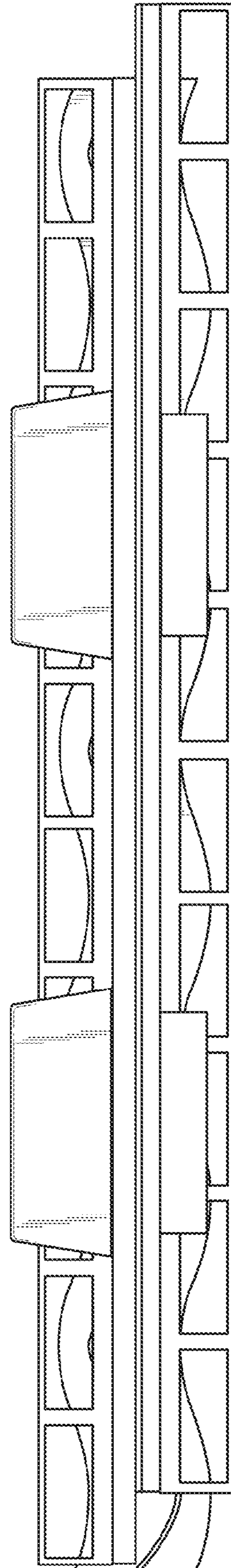
\* cited by examiner



*Fig. 1*



*Fig. 2*



*Fig. 3*

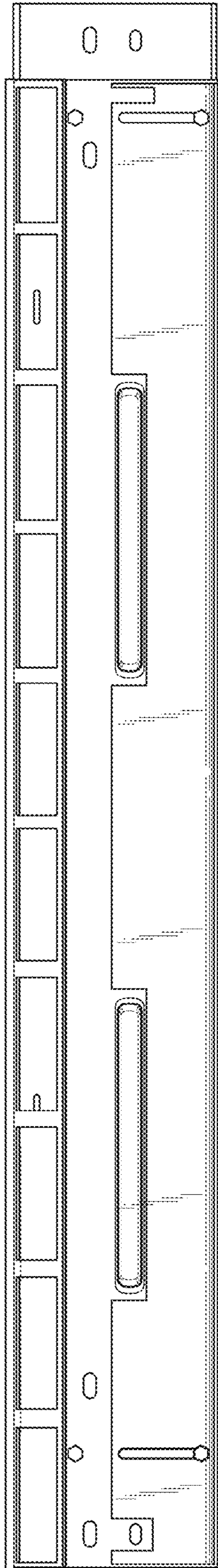


Fig. 4

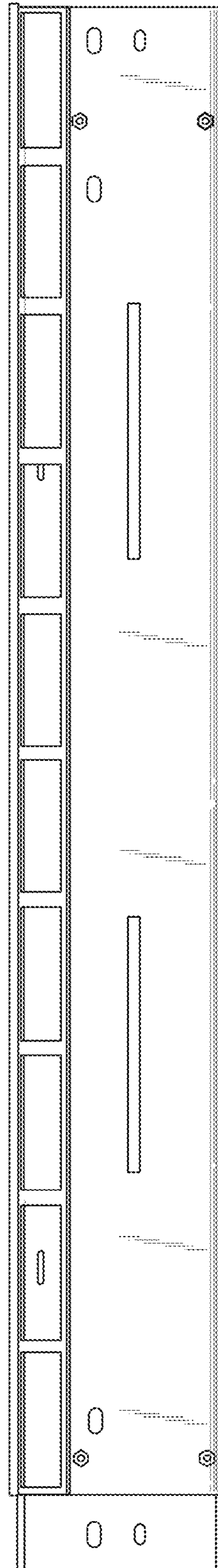
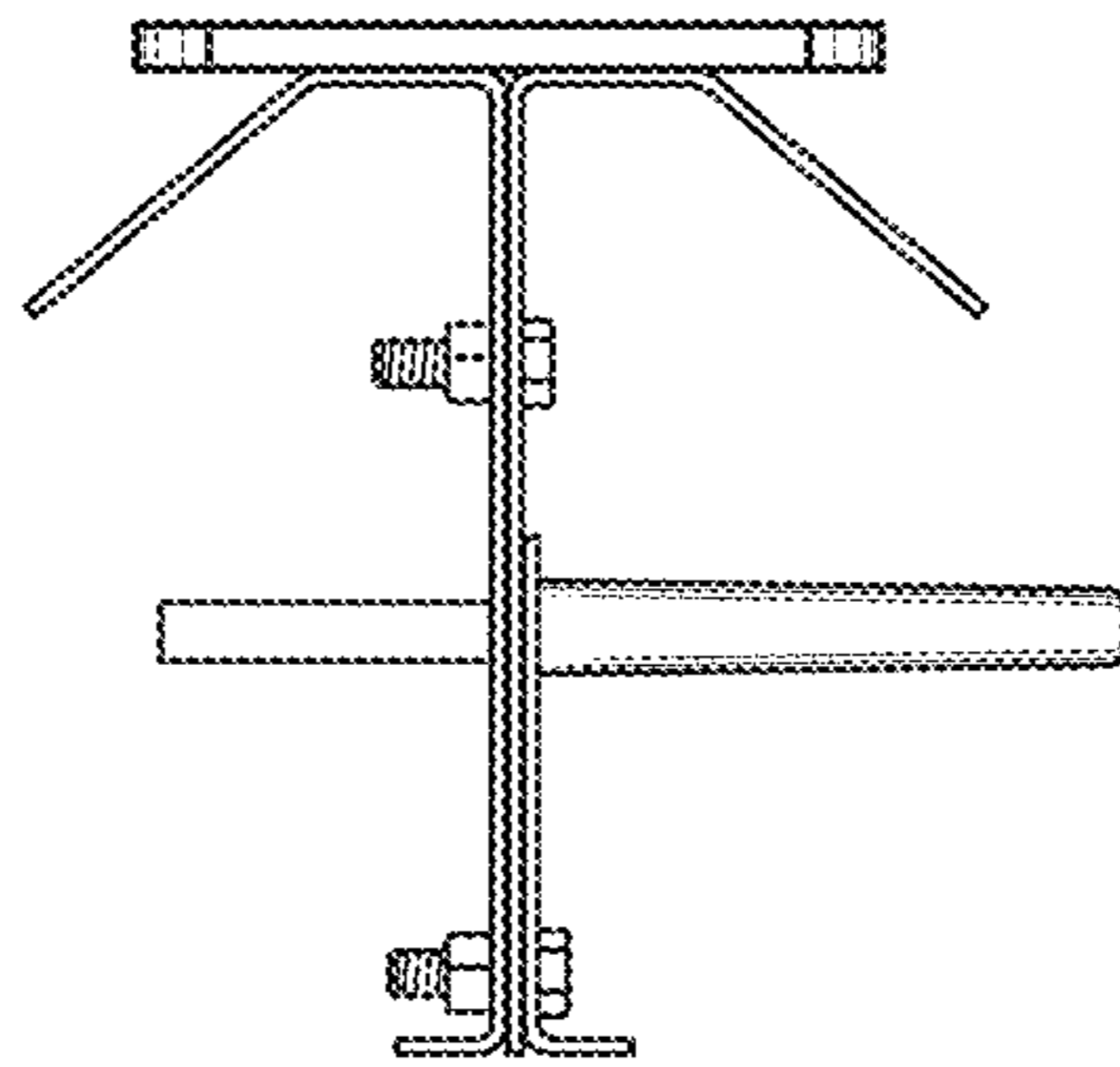
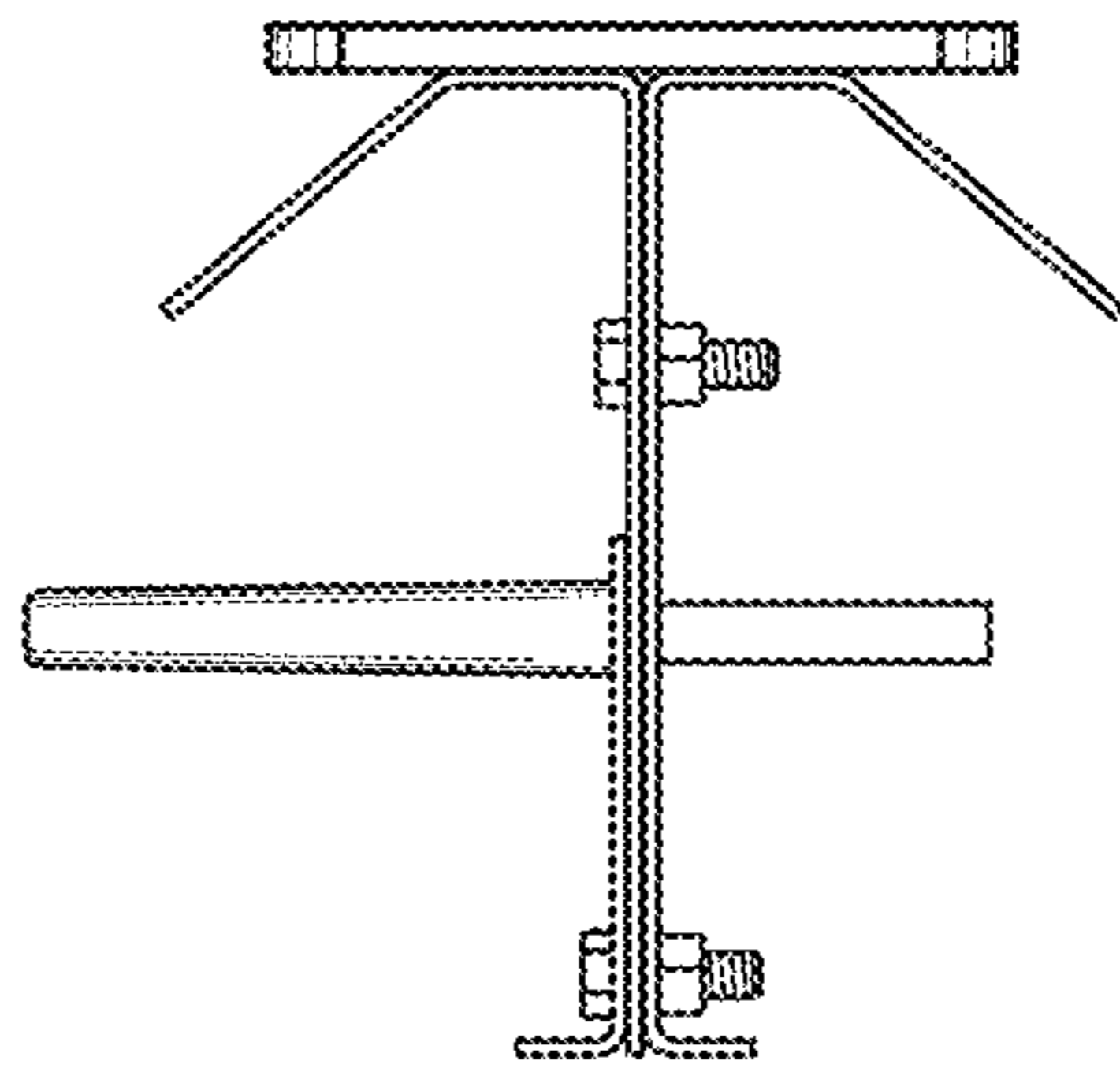


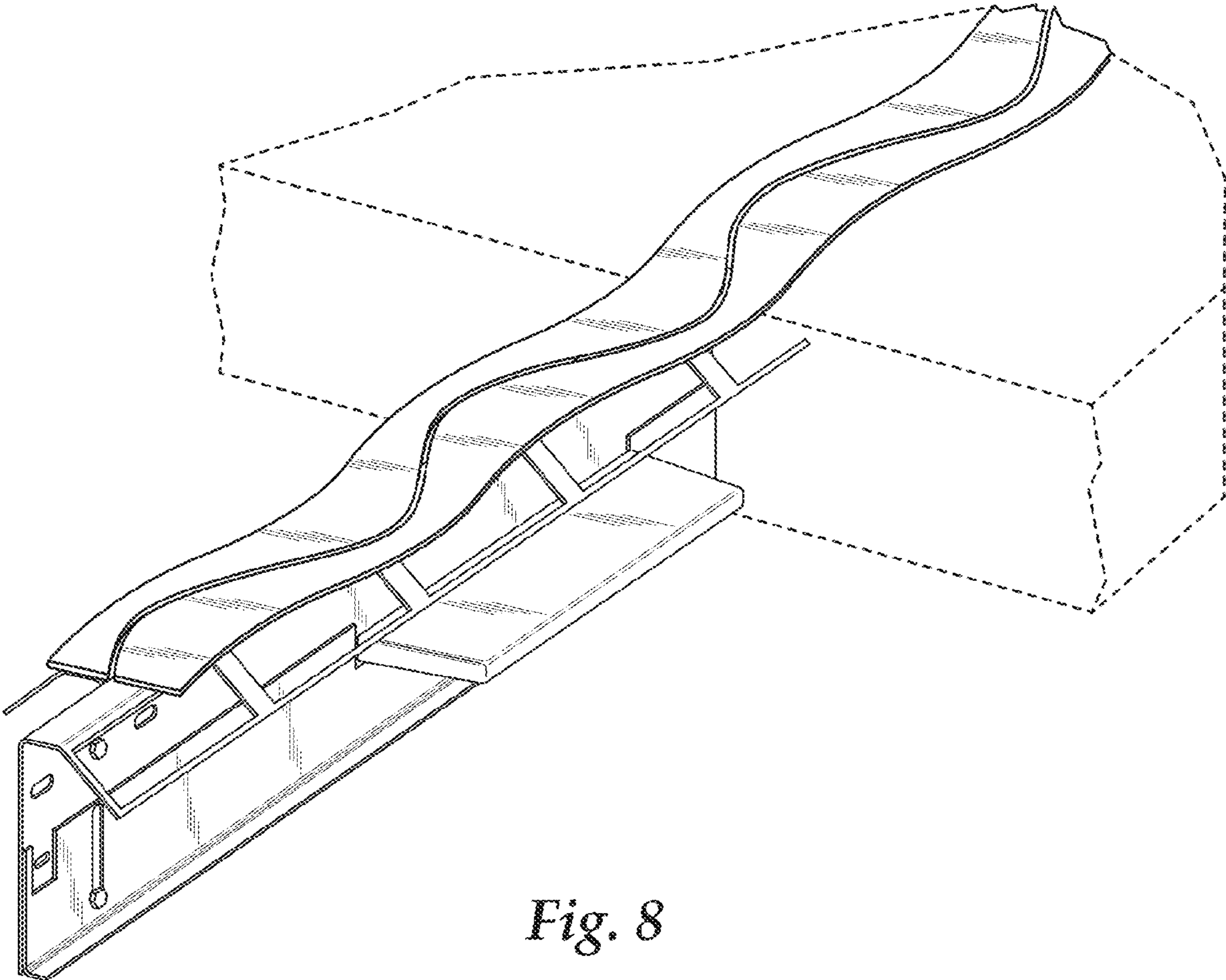
Fig. 5



*Fig. 6*



*Fig. 7*



*Fig. 8*