



US00D927024S

(12) **United States Design Patent** (10) **Patent No.:** **US D927,024 S**
Lingle et al. (45) **Date of Patent:** **** Aug. 3, 2021**

(54) **PERMEABLE PAVER SECTION**

(56) **References Cited**

(71) Applicant: **Brentwood Industries, Inc.**, Reading, PA (US)

U.S. PATENT DOCUMENTS

(72) Inventors: **Luke Lingle**, Reading, PA (US); **Frank M. Kulick, III**, Leesport, PA (US)

| | | | |
|--------------|---------|---------------|---------|
| D615,671 S | 5/2010 | Morren, Sr. | |
| D622,421 S * | 8/2010 | Akkala | D25/152 |
| 8,128,311 B2 | 3/2012 | Son et al. | |
| D740,450 S | 10/2015 | Frith | |
| 9,617,698 B1 | 4/2017 | Stiles | |
| 9,777,455 B2 | 10/2017 | Sutton et al. | |
| 9,909,264 B1 | 3/2018 | Stiles | |

(73) Assignee: **BRENTWOOD INDUSTRIES, INC.**, Reading, PA (US)

* cited by examiner

(**) Term: **15 Years**

Primary Examiner — Doris Clark

(21) Appl. No.: **29/764,253**

(74) *Attorney, Agent, or Firm* — Panitch Schwarze Belisario & Nadel LLP

(22) Filed: **Dec. 29, 2020**

(57) **CLAIM**

The ornamental design for a permeable paver section, as shown and described.

Related U.S. Application Data

DESCRIPTION

(62) Division of application No. 29/672,875, filed on Dec. 10, 2018, now Pat. No. Des. 910,881.

(51) **LOC (13) Cl.** **25-01**

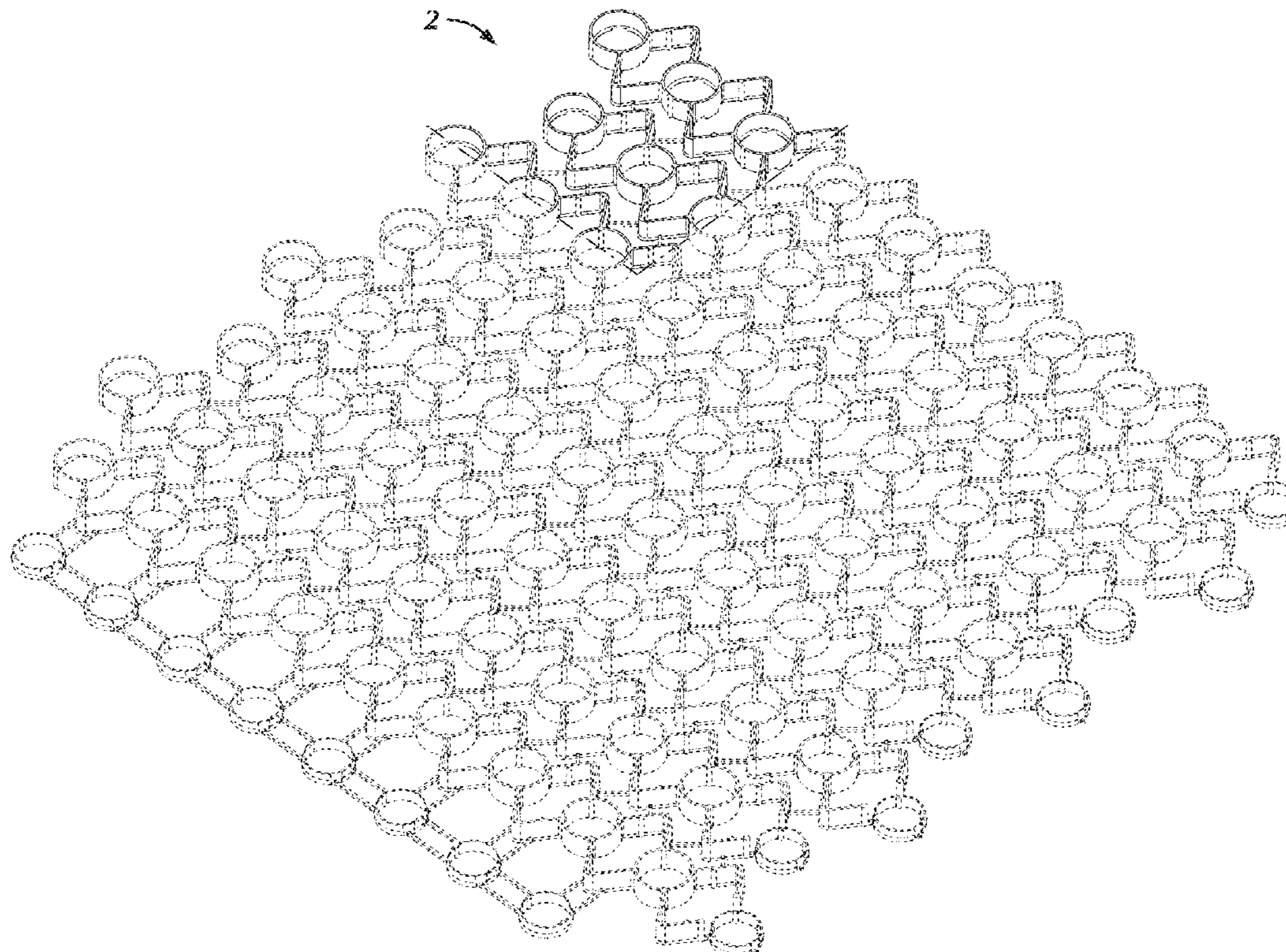
(52) **U.S. Cl.**
USPC **D25/152**

(58) **Field of Classification Search**
USPC D25/152
CPC ... E01C 5/00; E01C 9/08; E01C 9/083; E01C 9/10; E01C 11/00; E01C 11/224; E01C 11/225; E01C 15/00; E01C 13/04; E01C 13/045

FIG. 1 is a top perspective view of a permeable paver section in accordance with my new design;
FIG. 2 is a top plan view of a portion of the permeable paver section of FIG. 1, taken at section 2 of FIG. 1 in accordance with my new design;
FIG. 3 is a bottom plan view of the portion of FIG. 2;
FIG. 4 is a side elevational view of the portion of FIG. 2; and,
FIG. 5 is a rear elevational view of the portion of FIG. 2. The broken lines depict portions of the environment that form no part of the claimed design.

See application file for complete search history.

1 Claim, 4 Drawing Sheets



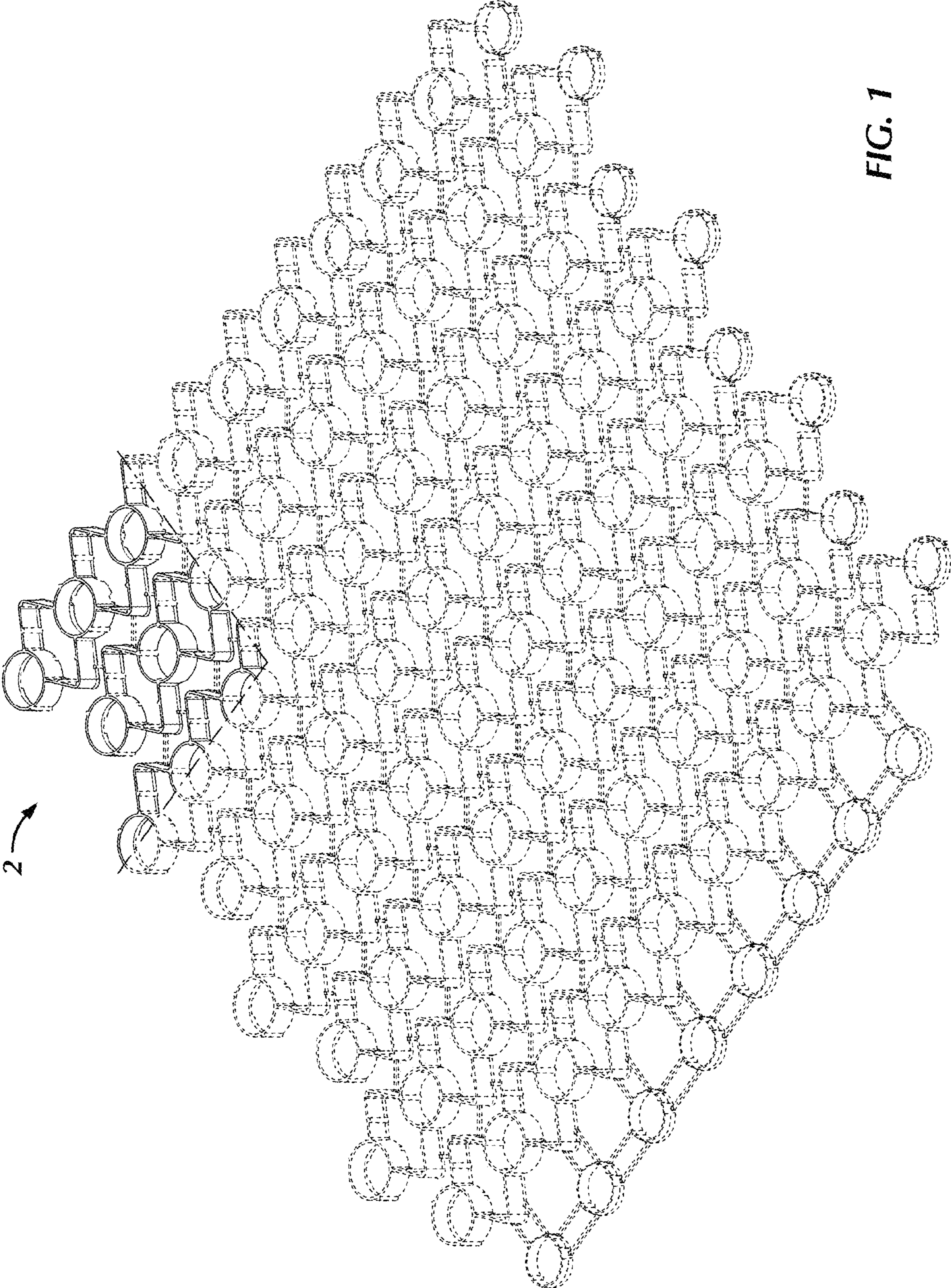


FIG. 1

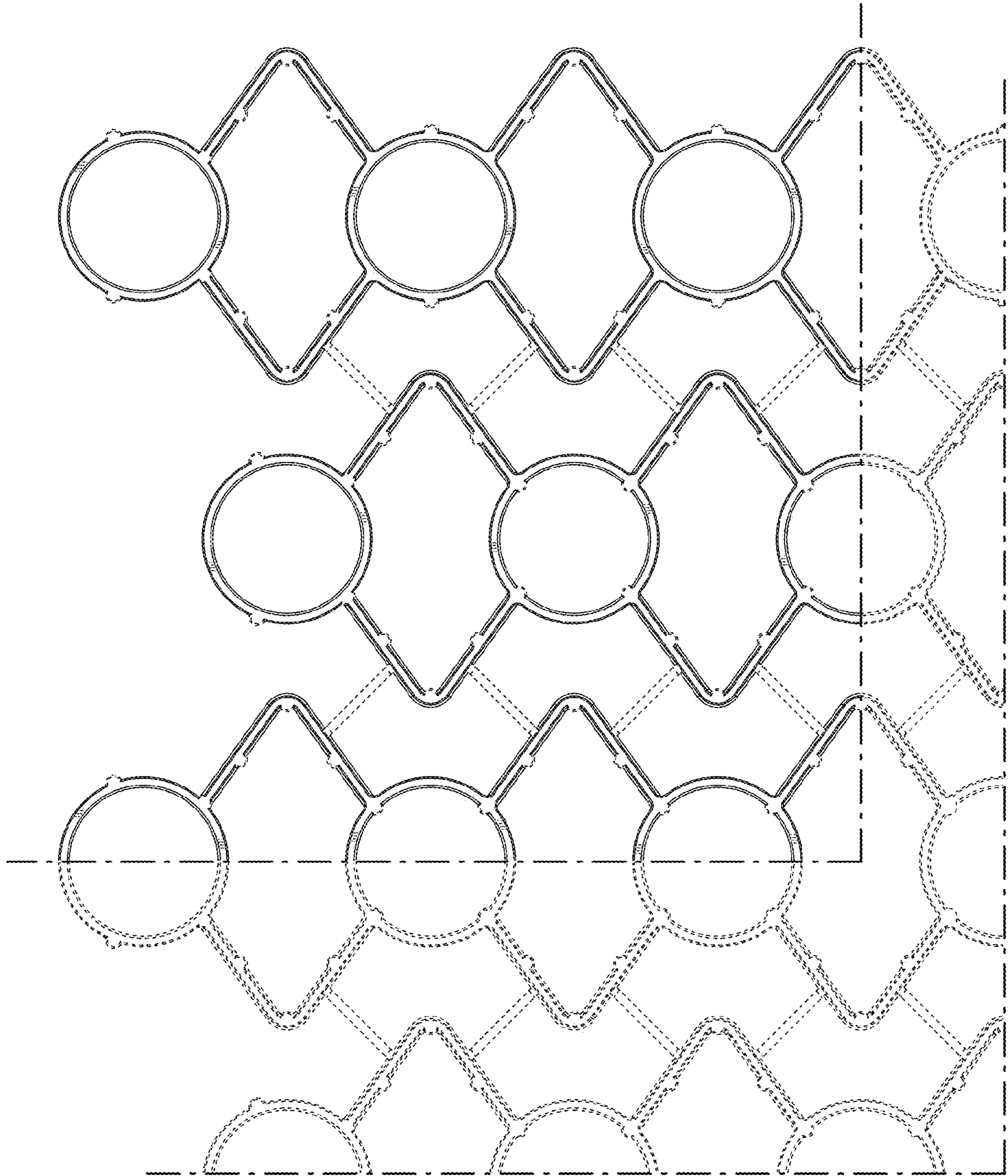


FIG. 2

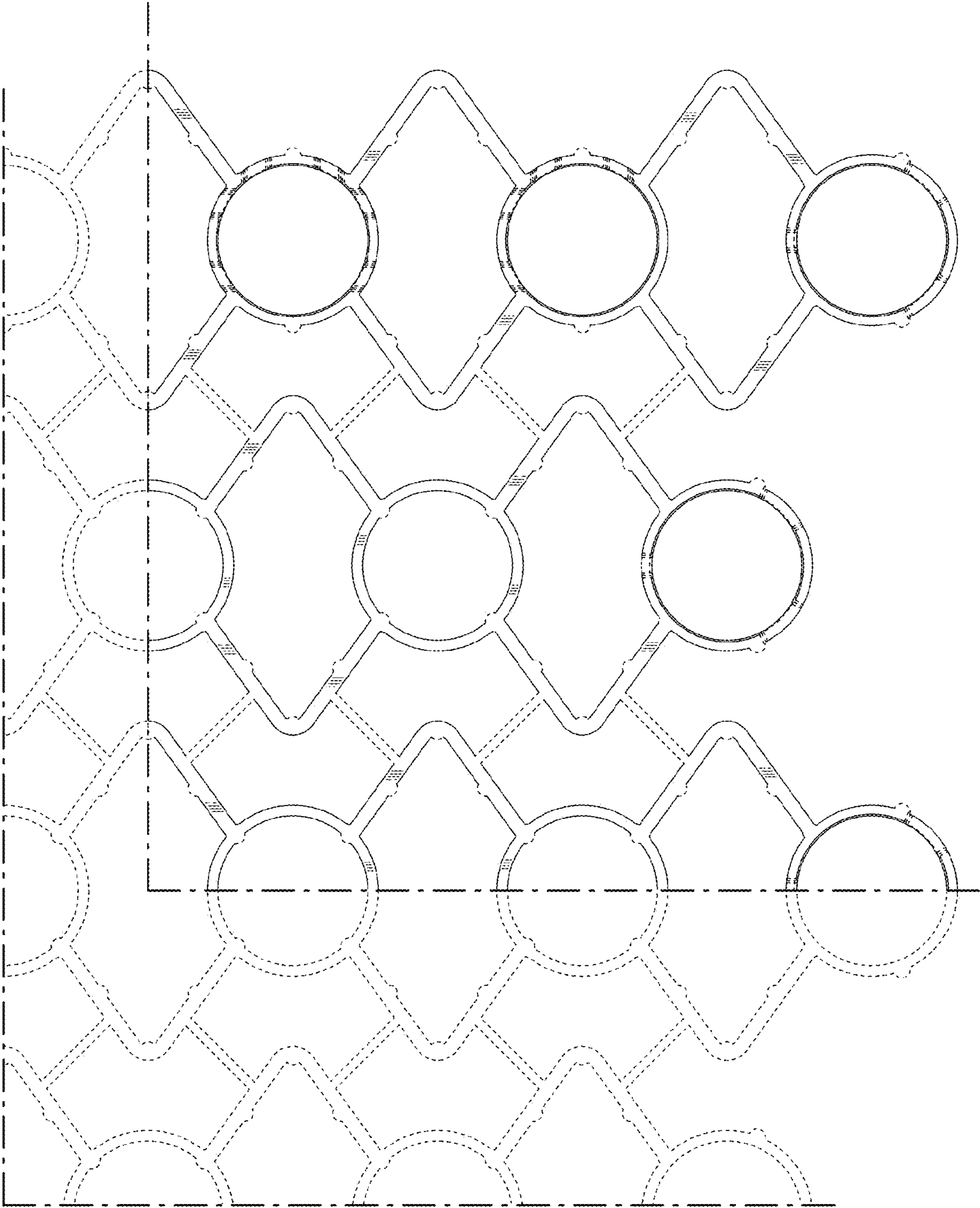


FIG. 3

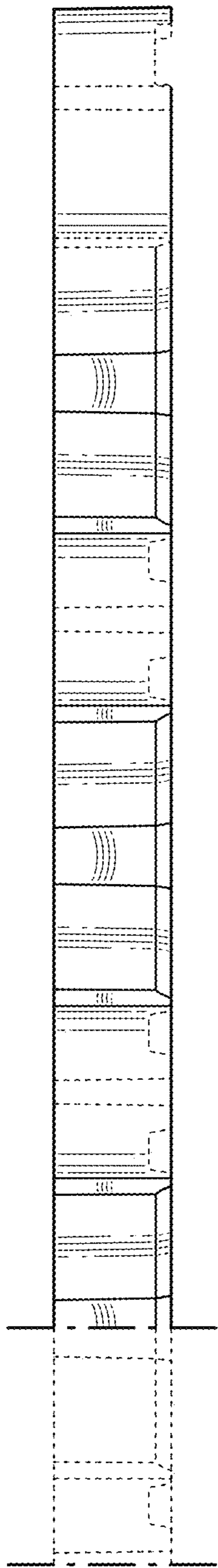


FIG. 4

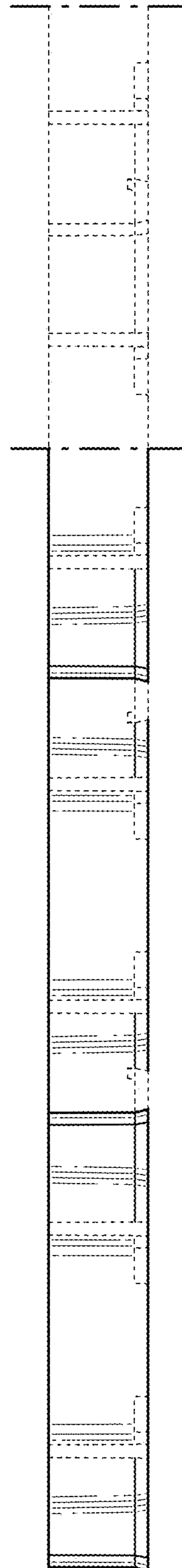


FIG. 5