



US00D927019S

(12) **United States Design Patent** (10) **Patent No.:** **US D927,019 S**  
**Becker et al.** (45) **Date of Patent:** **\*\* Aug. 3, 2021**

(54) **SUPPORT FOR FORMWORK BEAM** D718,241 S \* 11/2014 Gretz ..... D13/139.5  
D817,916 S \* 5/2018 Norrell ..... D14/188  
(71) Applicant: **Brand Shared Services LLC,** D833,037 S \* 11/2018 Boado ..... D25/133  
Kennesaw, GA (US) 10,508,861 B1 \* 12/2019 D’Oracio De Almeida .....  
F23M 5/04  
(72) Inventors: **Allan James Becker,** Richmond Hill D872,569 S \* 1/2020 D’Oracio De Almeida .. D8/384  
(CA); **Jack Poon,** Aurora (CA) D875,915 S \* 2/2020 Hirsch ..... D23/393  
D900,344 S \* 10/2020 Becker ..... D25/127  
(73) Assignee: **Brand Shared Services LLC,** 2005/0189173 A1 \* 9/2005 Becker ..... E04G 5/14  
Kennesaw, GA (US) 182/113  
2008/0203252 A1 \* 8/2008 Becker ..... E04G 17/16  
248/218.4  
(\*\*) Term: **15 Years** 2008/0229706 A1 \* 9/2008 Polk ..... B29C 45/1615  
52/831  
(21) Appl. No.: **29/698,697** 2016/0177928 A1 \* 6/2016 Gaigler ..... F16L 1/23  
405/170

\* cited by examiner

(30) **Foreign Application Priority Data**

Jan. 18, 2019 (CA) ..... CA 185786

(51) **LOC (13) Cl.** ..... **25-01**

(52) **U.S. Cl.**  
USPC ..... **D25/134**

(58) **Field of Classification Search**

USPC ..... D25/119, 125, 126, 127, 128, 129, 130,  
D25/131, 132, 133, 134, 135, 136;  
D8/349, 354, 355, 363, 373, 380  
CPC ... F23M 5/04; F27B 2014/0843; F27D 1/141;  
F27D 1/142; E04G 17/16; E04G  
2007/285; E04G 5/14; E04G 5/141; E04G  
5/145; E04G 7/28; E04H 12/24; F21W  
2131/109

See application file for complete search history.

(56) **References Cited**

**U.S. PATENT DOCUMENTS**

7,234,670 B1 \* 6/2007 Gretz ..... F21V 11/02  
174/37  
D603,065 S \* 10/2009 Hamilton ..... D25/126

*Primary Examiner* — Samantha Q Lawrence  
(74) *Attorney, Agent, or Firm* — Banner & Witcoff, Ltd.

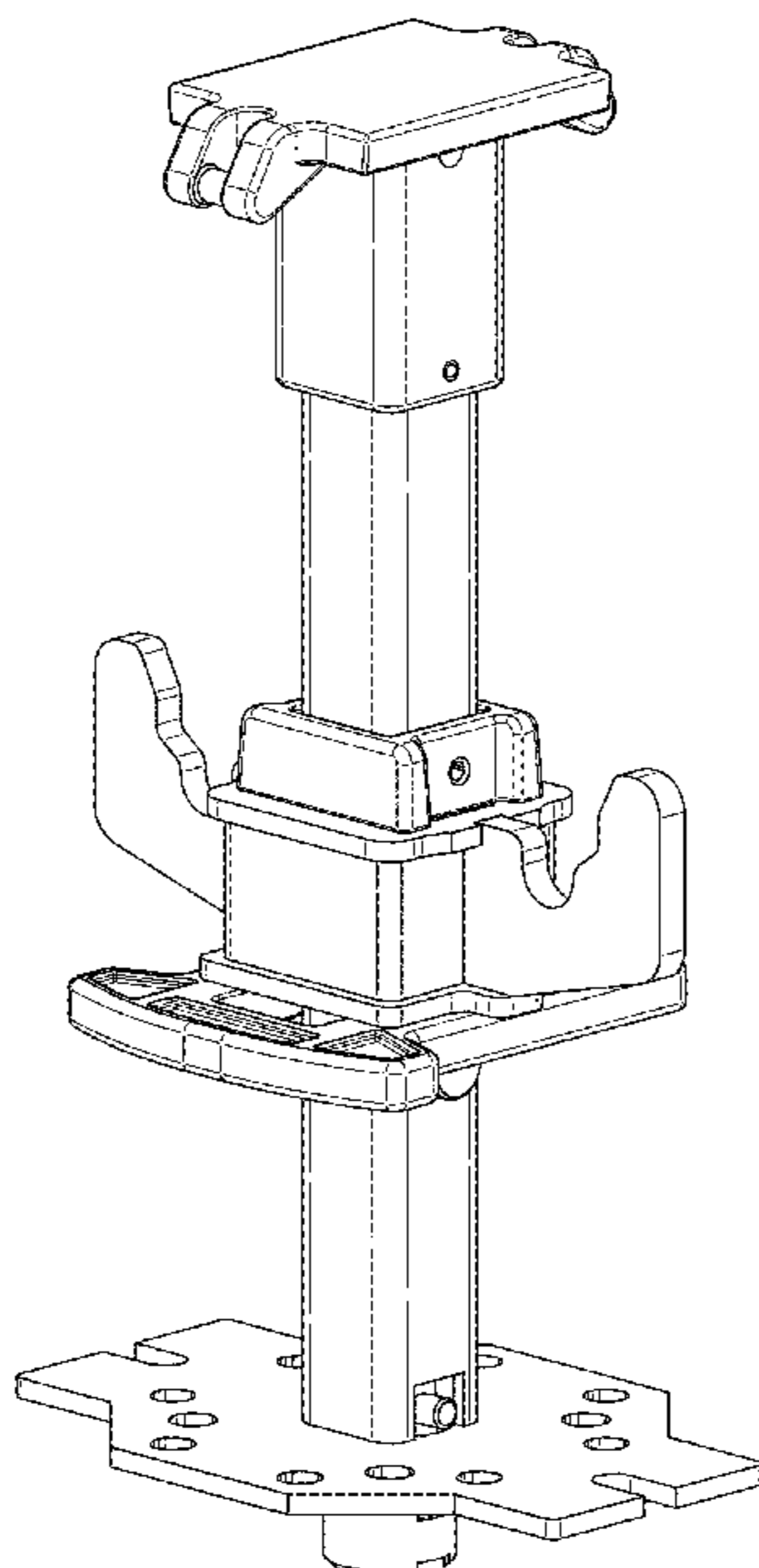
(57) **CLAIM**

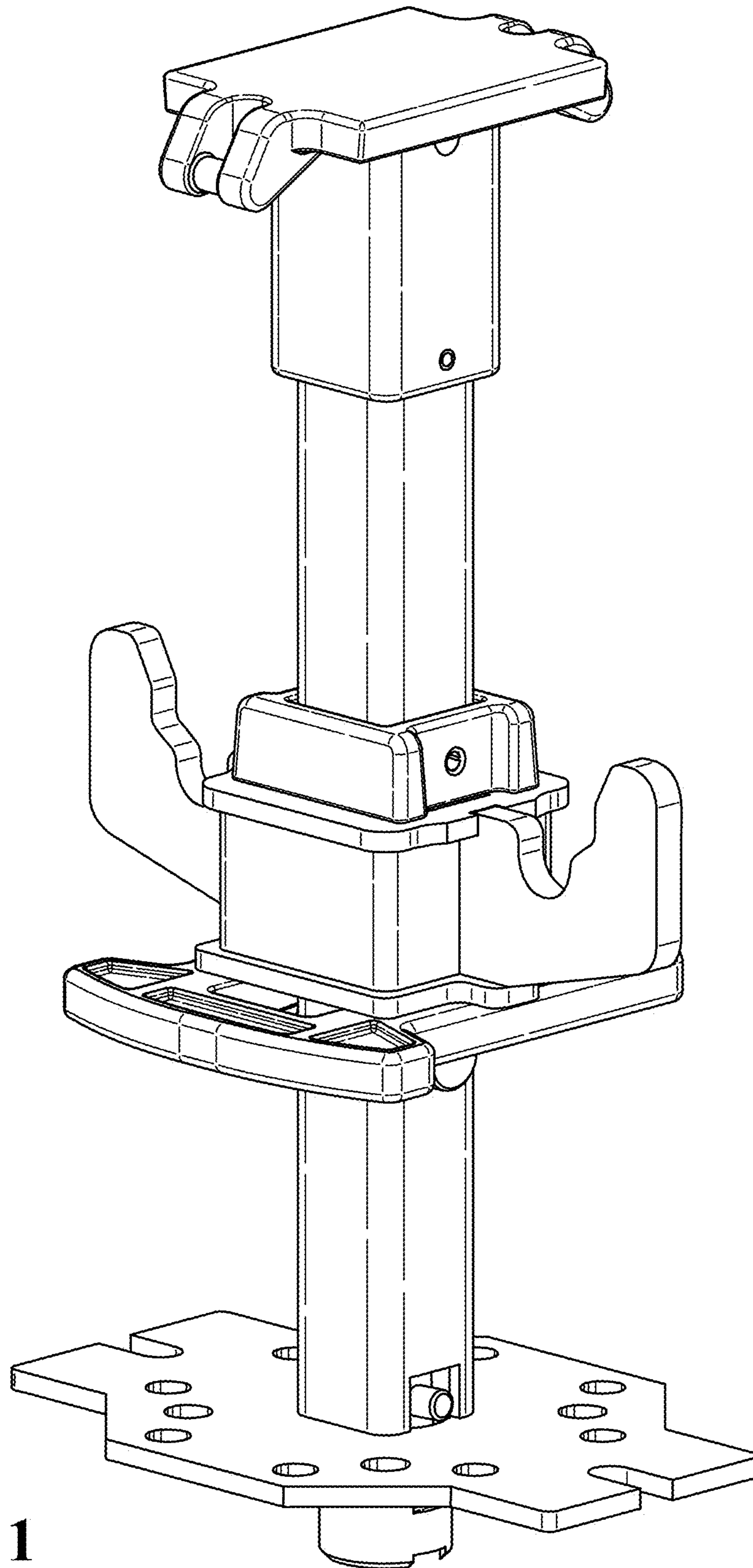
The ornamental design for a support for formwork beam, as shown and described.

**DESCRIPTION**

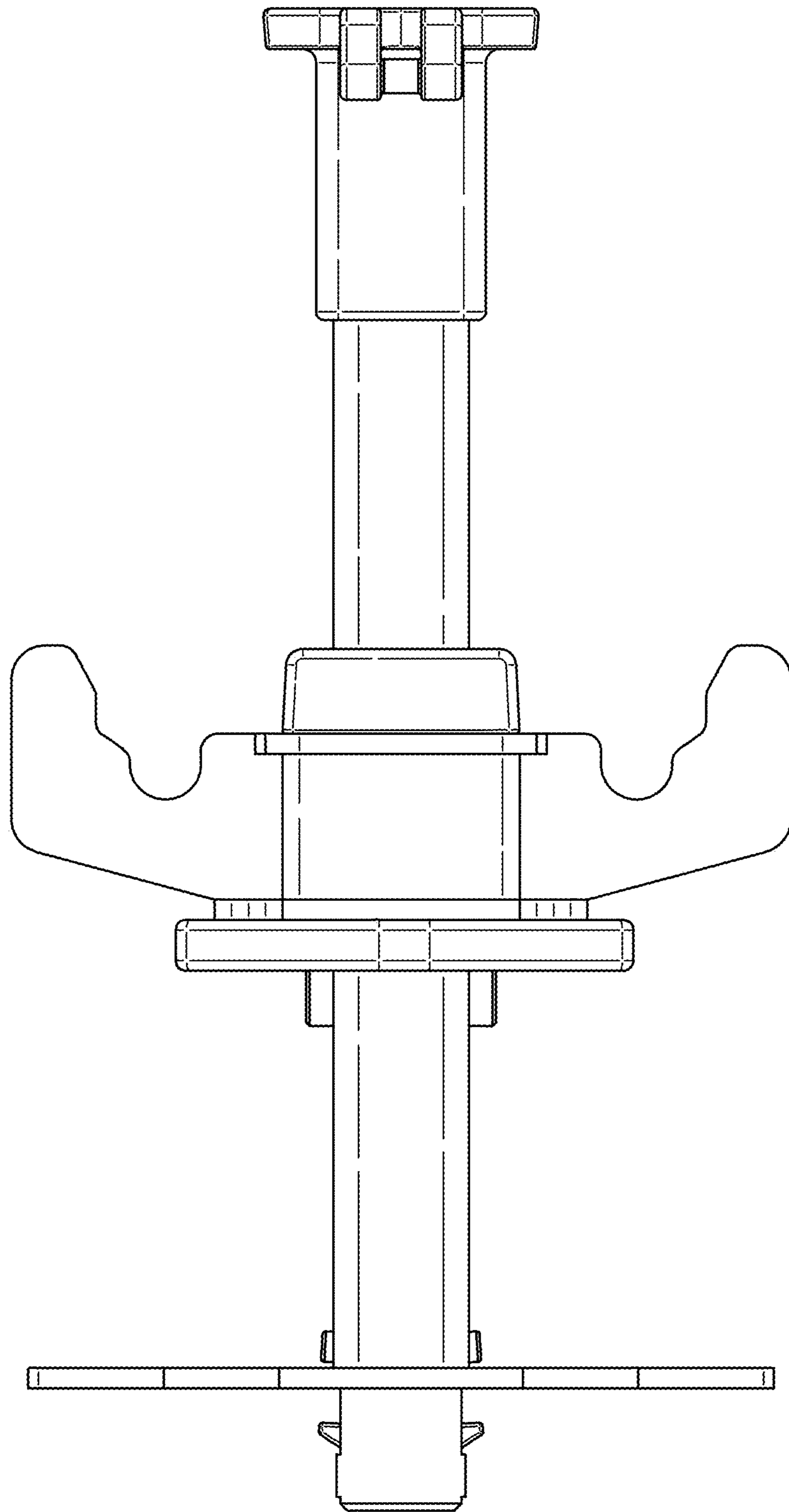
FIG. 1 is a front perspective view of a support for formwork beam showing our new design;  
FIG. 2 is a front view thereof;  
FIG. 3 is a rear view thereof;  
FIG. 4 is a left side view thereof;  
FIG. 5 is a right side view thereof;  
FIG. 6 is a top view thereof; and,  
FIG. 7 is a bottom view thereof.  
The broken lines shown in FIG. 7 illustrate portions of the support for formwork beam that form no part of the claimed design.

**1 Claim, 6 Drawing Sheets**

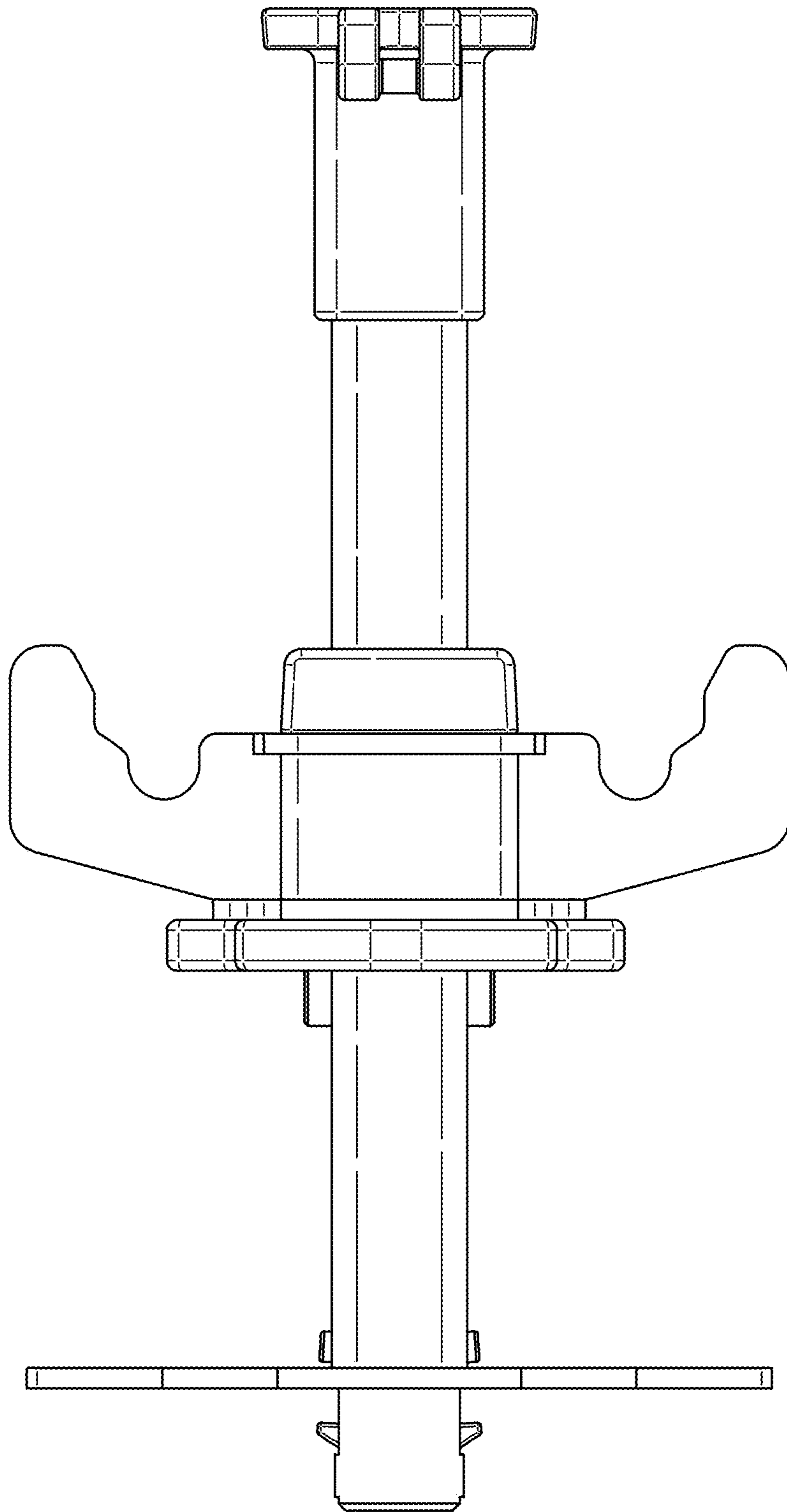




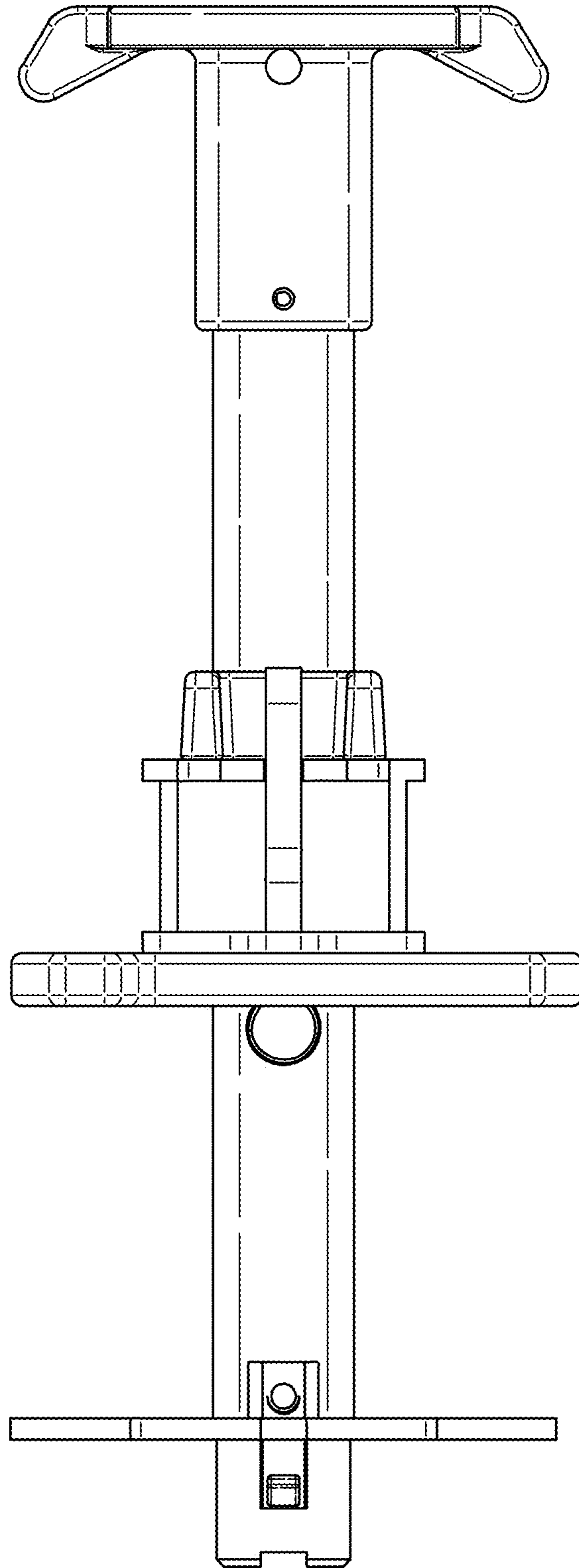
**FIG. 1**



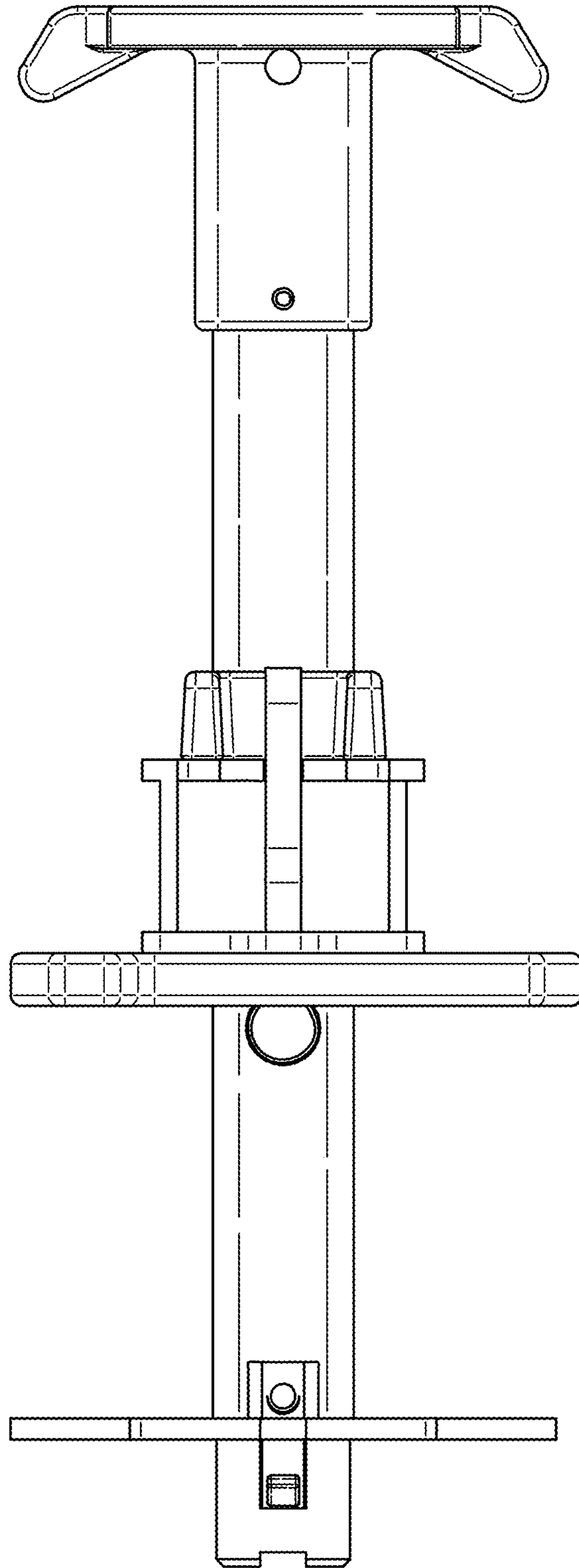
**FIG. 2**



**FIG. 3**

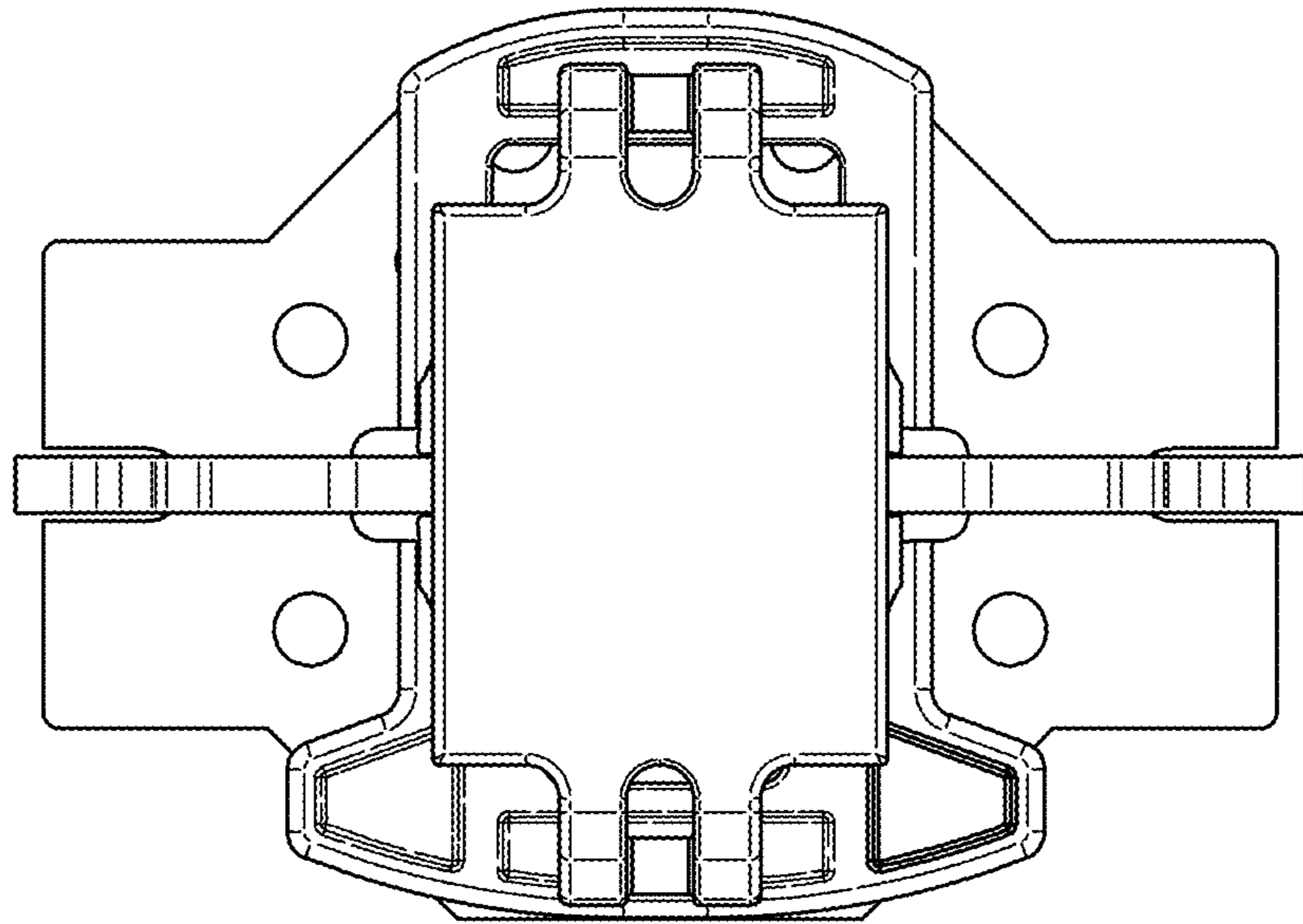


**FIG. 4**

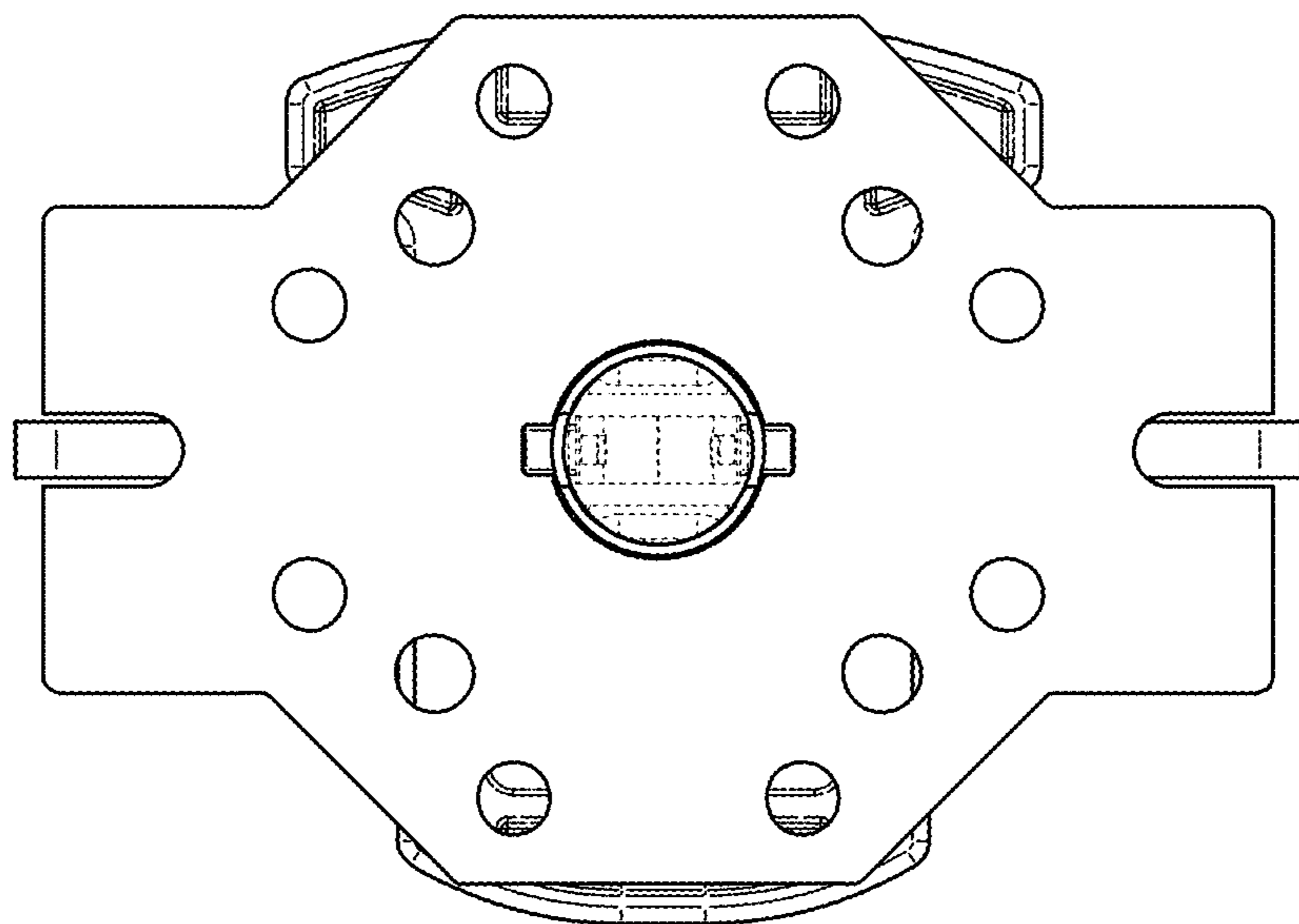


**FIG. 5**





**FIG. 6**



**FIG. 7**