



US00D927017S

(12) **United States Design Patent** (10) **Patent No.:** **US D927,017 S**
Mazur et al. (45) **Date of Patent:** **** Aug. 3, 2021**

(54) **MUNTIN BAR ASSEMBLY**
 (71) Applicant: **WWS Acquisition, LLC**, Phoenix, AZ (US)
 (72) Inventors: **Richard Mazur**, Mesa, AZ (US);
Cameron Miles Wyatt, Gilbert, AZ (US)
 (73) Assignee: **WWS Acquisition LLC**, Phoenix, AZ (US)

5,040,347 A * 8/1991 Valvis E06B 3/68
 29/445
 5,274,976 A * 1/1994 Burkhart E06B 3/685
 52/314
 5,331,727 A 7/1994 Golen
 D361,134 S * 8/1995 Bischel D25/55
 D361,135 S * 8/1995 Bischel D25/55
 D361,387 S * 8/1995 Bischel D25/55
 D361,388 S * 8/1995 Bischel D25/55
 D361,389 S * 8/1995 Bischel D25/55

(Continued)

(**) Term: **15 Years**

(21) Appl. No.: **29/679,621**

(22) Filed: **Feb. 7, 2019**

(51) **LOC (13) Cl.** **25-01**

(52) **U.S. Cl.**
USPC **D25/48.7**

(58) **Field of Classification Search**
 USPC D8/382; D25/48.7, 48.8, 55, 58, 60, 61,
 D25/119, 121, 125
 CPC E04B 9/14; E04B 3/6604; E04B 3/667;
 E04B 3/67321; E04B 3/67326; E04B
 3/68; E04B 3/685; B60J 1/2094; Y10T
 29/49861

See application file for complete search history.

(56) **References Cited**

U.S. PATENT DOCUMENTS

2,240,591 A * 5/1941 Waterman E06B 3/68
 52/204.6
 3,308,593 A * 3/1967 Smith E06B 3/6604
 52/456
 D256,729 S * 9/1980 Carlson D25/136
 4,437,284 A * 3/1984 Cribben E06B 3/685
 52/204.61
 4,598,520 A 7/1986 Ellstrom
 4,678,487 A * 7/1987 Cadwell, Jr. E04B 9/02
 52/506.06

OTHER PUBLICATIONS

Like Steel Unlike Anything Else Western Window Systems <https://www.westernwindowssystems.com/simulated-steel-line> Jul. 2019 (Year: 2019).*

(Continued)

Primary Examiner — Leanne Was-Englehart
(74) *Attorney, Agent, or Firm* — Taylor English Duma LLP

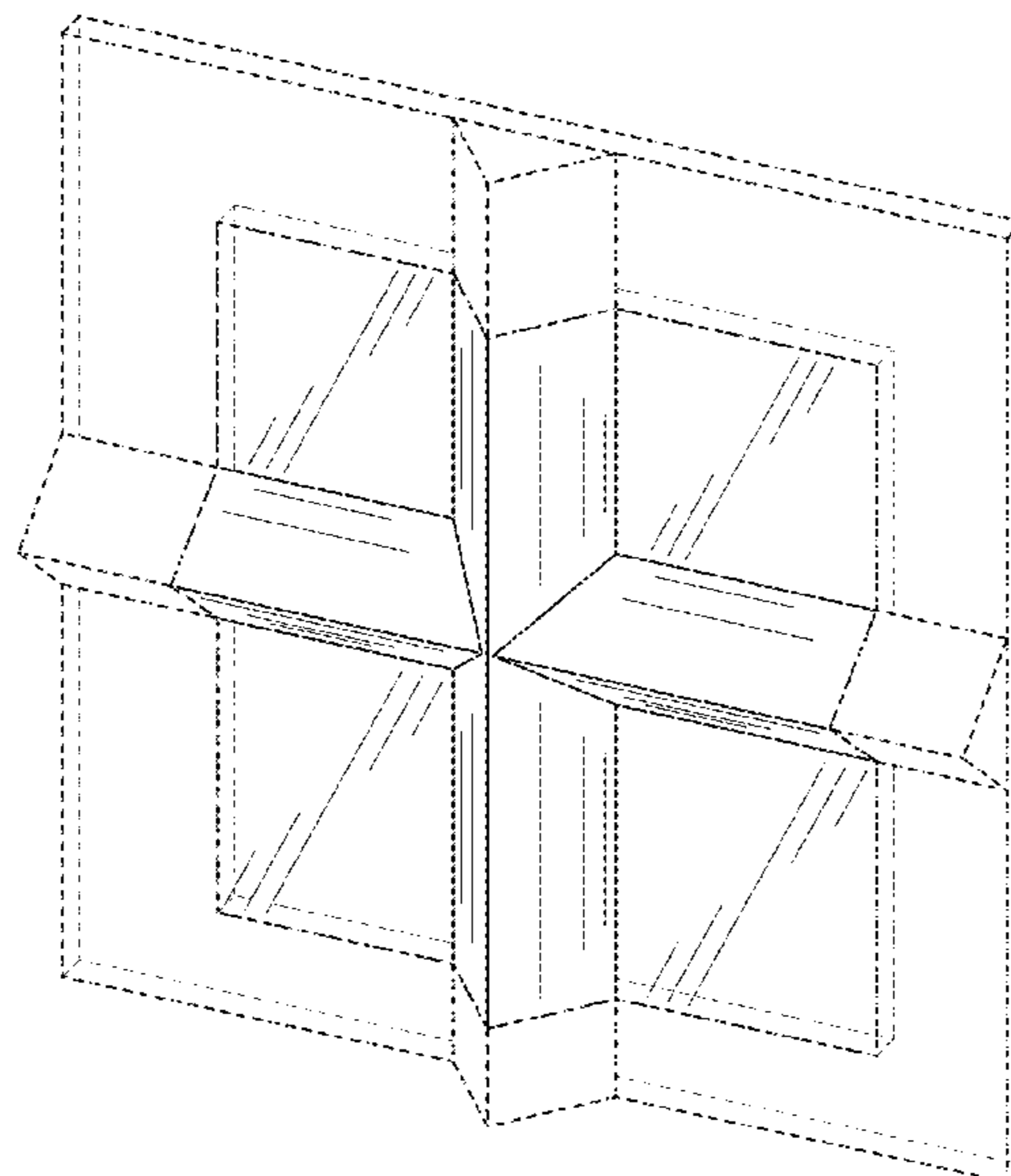
(57) **CLAIM**

We claim the ornamental design for a muntin bar assembly, as shown and described.

DESCRIPTION

FIG. 1 is a top perspective view of the muntin bar assembly.
 FIG. 2 is a front elevation view thereof.
 FIG. 3 is a rear elevation view thereof.
 FIG. 4 is a left-side elevation view thereof.
 FIG. 5 is a right-side elevation view thereof.
 FIG. 6 is a top plan view thereof; and,
 FIG. 7 is a bottom plan view thereof.
 The invention pertains to an ornamental design for a muntin bar assembly. The dot-dash-dot lines indicate the bounds of the claimed design, while features shown in dash-dash-dash lines depict portions of the muntin bar assembly that form no part of the claimed design.

1 Claim, 5 Drawing Sheets



(56)

References Cited

U.S. PATENT DOCUMENTS

5,617,684 A * 4/1997 Sheath E06B 3/68
52/204.57
D495,063 S * 8/2004 Barnard D25/103
6,898,914 B2 5/2005 Folsom et al.
D668,784 S * 10/2012 Myles D25/48.7
D700,359 S * 2/2014 Elizarraras D25/55
D710,027 S * 7/2014 Myles D25/48.7
D710,029 S * 7/2014 Myles D25/48.7
D793,580 S * 8/2017 Staton D25/60
D799,719 S * 10/2017 Staton D25/48.7
10,550,626 B1 * 2/2020 Medina E06B 3/5892
2001/0034990 A1 11/2001 Reichert
2016/0102492 A1 * 4/2016 Cai E06B 3/68
52/204.6

OTHER PUBLICATIONS

Mazur, Richard; Non-Final Office Action for U.S. Appl. No. 16/752,538, filed Jan. 24, 2020, dated Feb. 16, 2021, 14 pgs.

Mazur, Richard; Requirement for Restriction/Election for U.S. Appl. No. 16/752,538, filed Jan. 24, 2020, dated Dec. 16, 2020, 8 pgs.

Mazur, Richard; Final Office Action for U.S. Appl. No. 16/752,538, filed Jan. 24, 2020, dated May 28, 2021, 14 pgs.

* cited by examiner

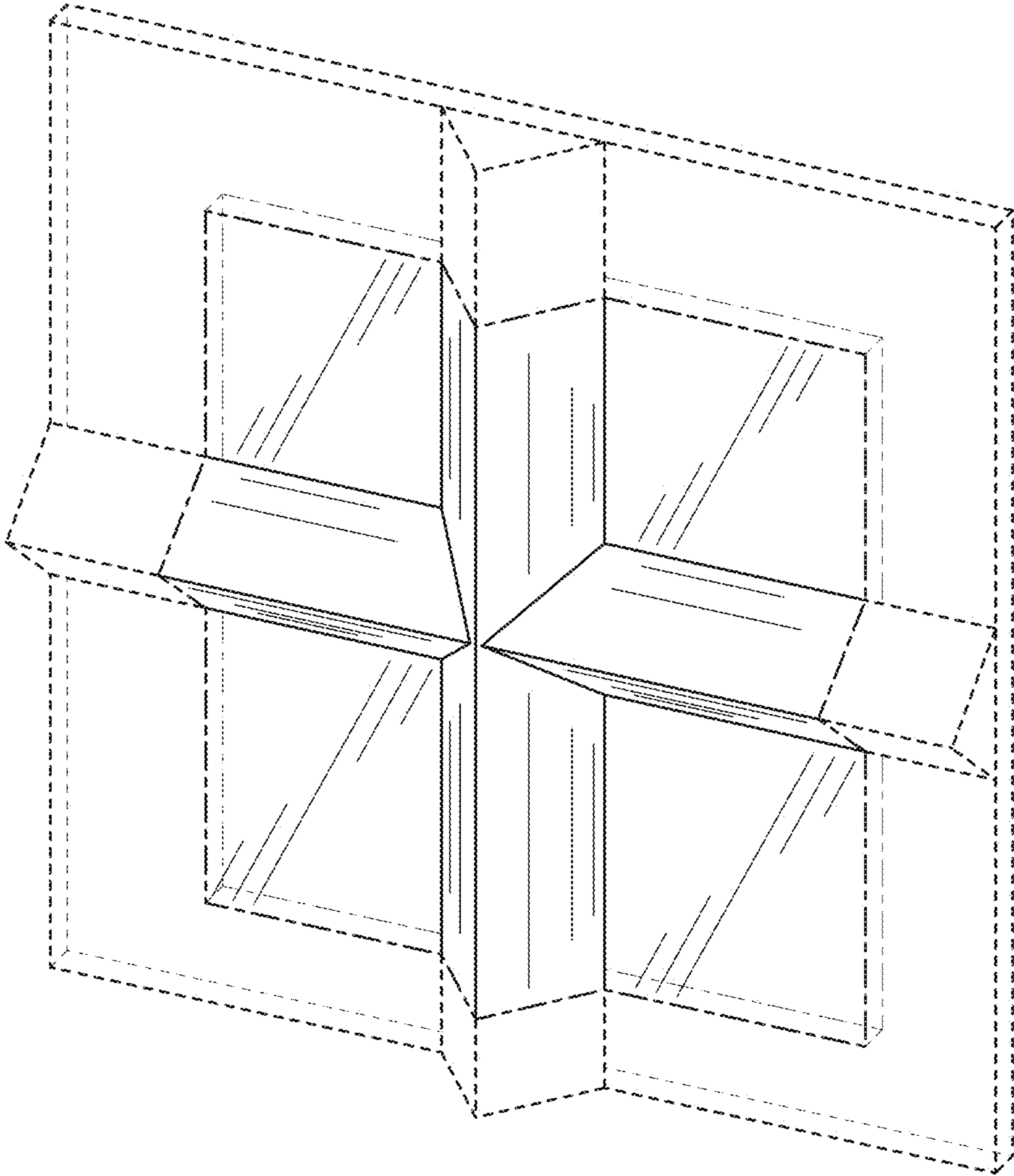


FIG. 1

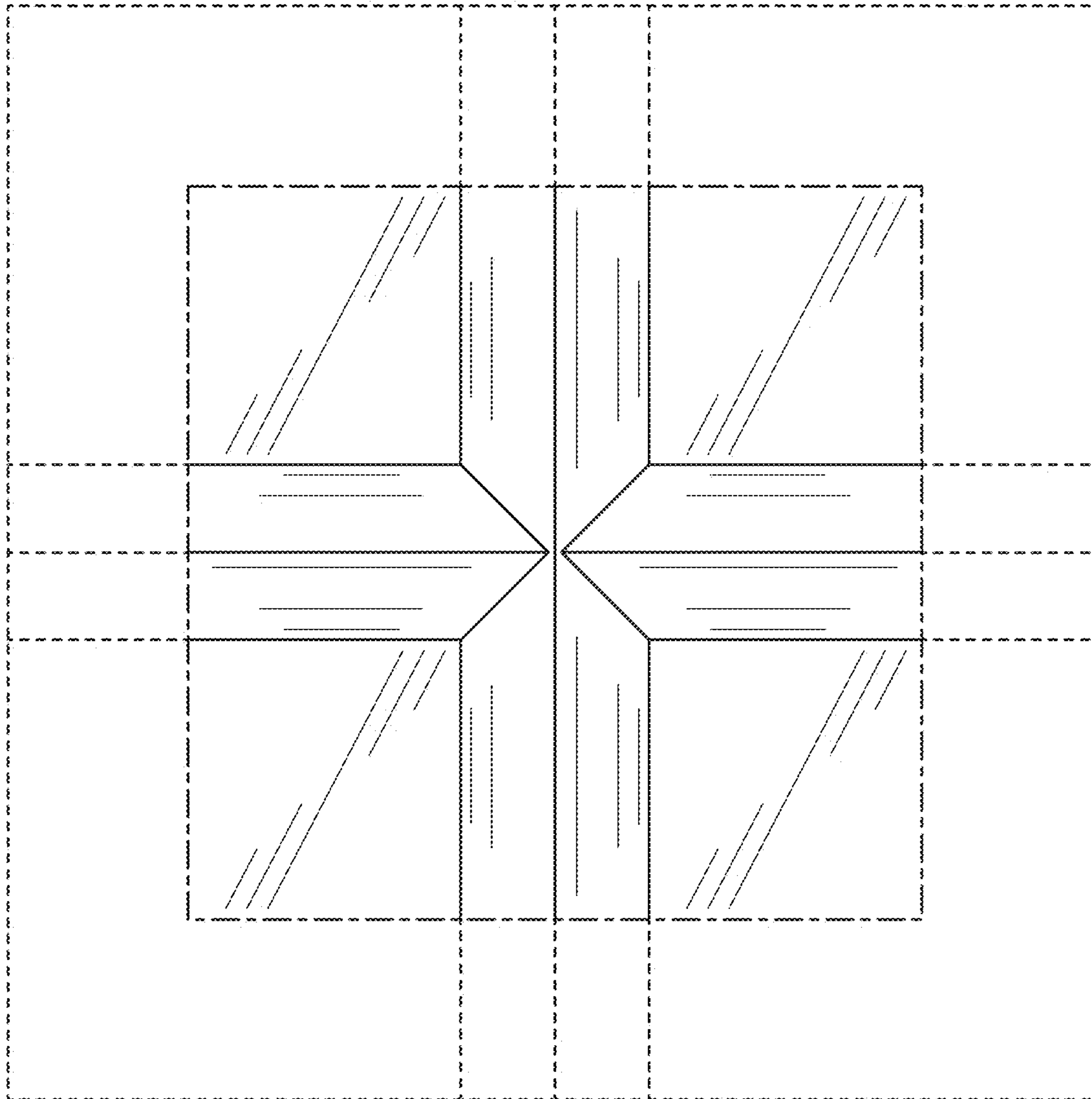


FIG. 2

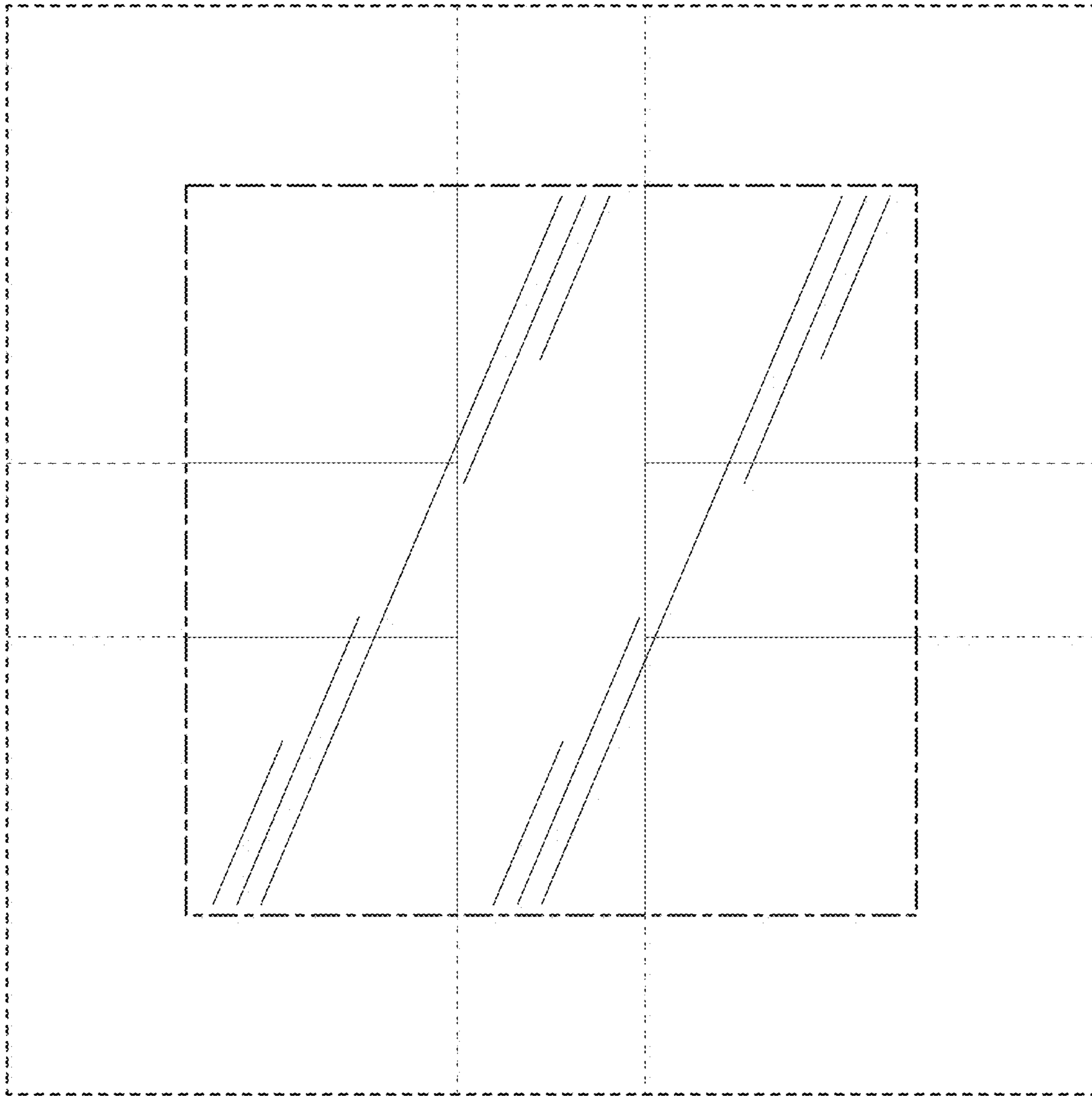


FIG. 3

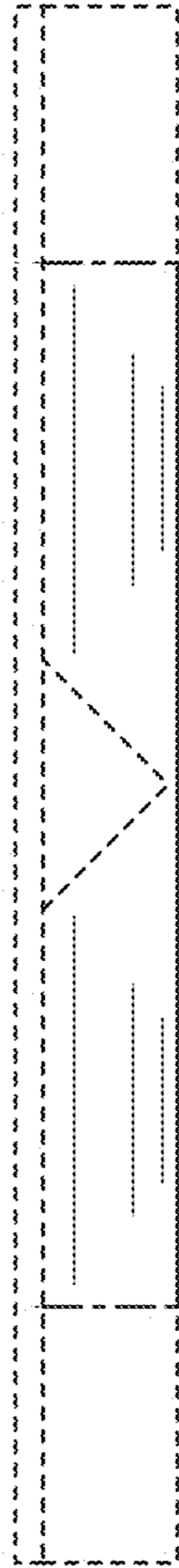


FIG. 4

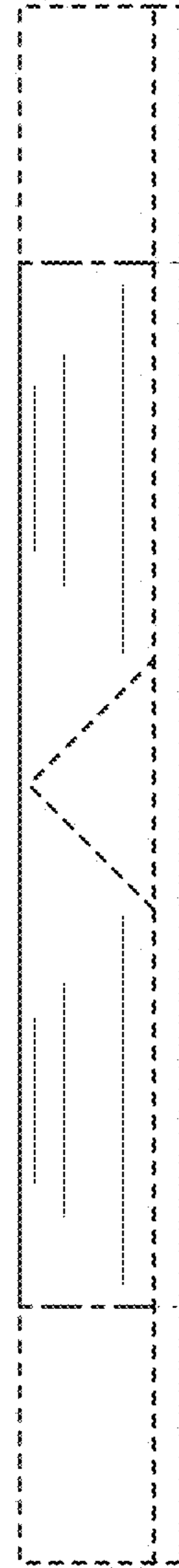


FIG. 5

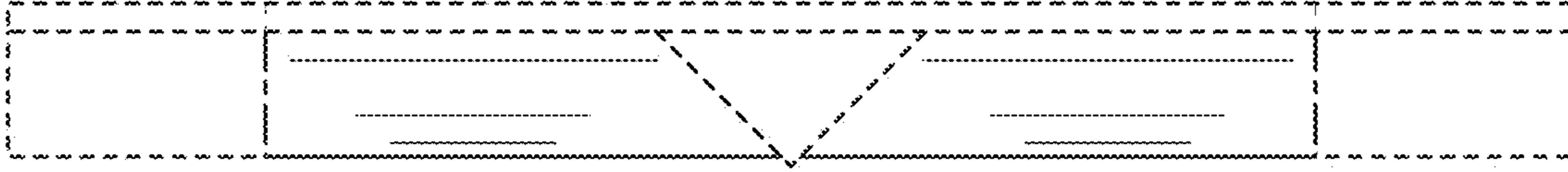


FIG. 6

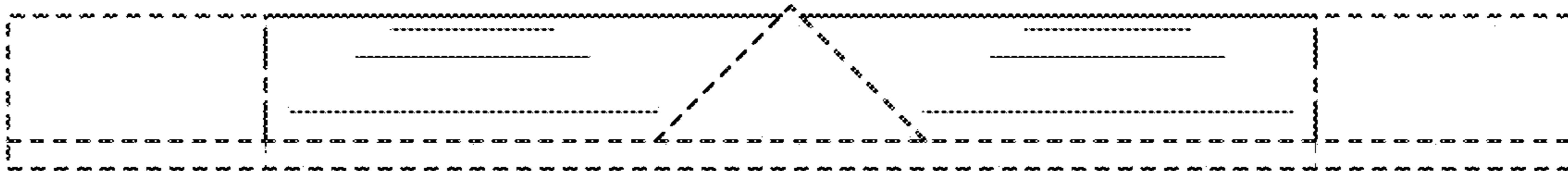


FIG. 7