



US00D927015S

(12) **United States Design Patent** (10) **Patent No.:** **US D927,015 S**
Thomas (45) **Date of Patent:** **** Aug. 3, 2021**

(54) **SKIRTED PETRI DISH**
(71) Applicant: **Anthony Joseph Thomas**, Tucson, AZ
(US)

(72) Inventor: **Anthony Joseph Thomas**, Tucson, AZ
(US)

(**) Term: **15 Years**

(21) Appl. No.: **29/707,981**

(22) Filed: **Oct. 2, 2019**

(51) **LOC (13) Cl.** **24-02**

(52) **U.S. Cl.**
USPC **D24/224**

(58) **Field of Classification Search**
USPC D24/107, 216-230; D9/420, 428, 435,
D9/436, 537, 545, 549, 700, 705, 706,
D9/716; D7/510, 511, 538; D28/78
CPC C12M 23/46; C12M 23/38; C12M 23/10
See application file for complete search history.

(56) **References Cited**

U.S. PATENT DOCUMENTS

3,055,808	A *	9/1962	Henderson	C12M 23/34 435/305.3
D286,508	S *	11/1986	Tilden	222/570
D295,319	S *	4/1988	Franchere	D24/224
5,021,351	A *	6/1991	Ervin	C12M 23/10 206/508
D327,648	S *	7/1992	Cane	D9/435
D368,987	S *	4/1996	Boucheron	D28/78
D373,084	S *	8/1996	Choi	D9/504
D473,345	S *	4/2003	Thorpe	D28/82
D521,381	S *	5/2006	Hicks	D9/449
D563,560	S *	3/2008	Copeland	D24/224
D578,654	S *	10/2008	Chianea	D24/224
D656,818	S *	4/2012	Dunwoody	D9/435

D860,779	S *	9/2019	Sutton	D9/420
2005/0089997	A1 *	4/2005	Minton	C12M 23/38 435/288.3
2013/0095009	A1 *	4/2013	Huet	C12M 23/10 422/551

(Continued)

FOREIGN PATENT DOCUMENTS

FR	57062	*	1/1999
FR	570620	*	1/1999

(Continued)

Primary Examiner — Susan Bennett Hattan
Assistant Examiner — Omeed Agilee
(74) *Attorney, Agent, or Firm* — University of Arizona IP Clinic

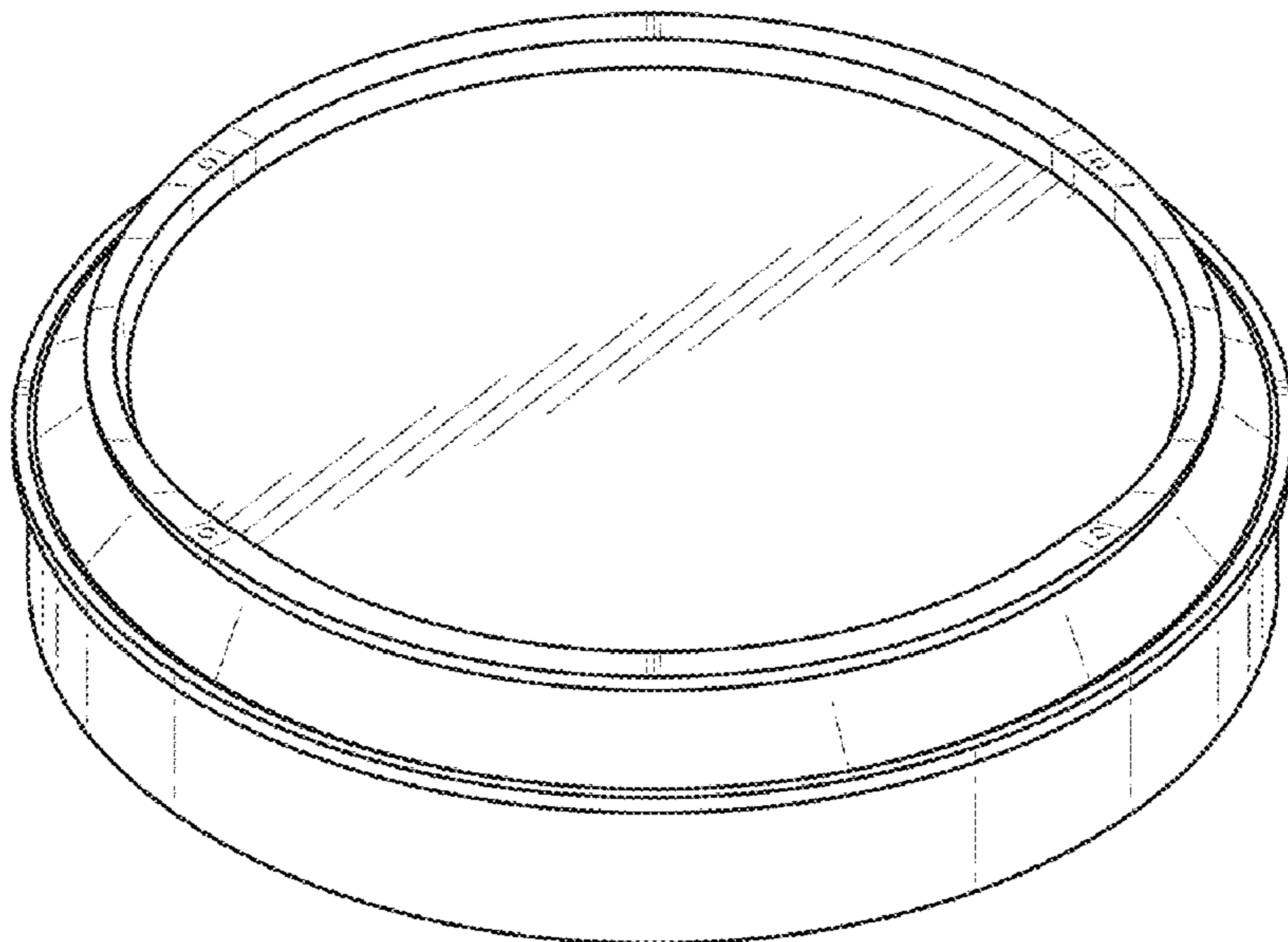
(57) **CLAIM**

I claim the ornamental design for a skirted petri dish, substantially as shown and described.

DESCRIPTION

FIG. 1 is a front perspective view of a skirted petri dish that consists of a cover and a body showing the cover detached from the body;
FIG. 2 is a front perspective view of the skirted petri dish in FIG. 1 showing the cover and the body in a mated condition;
FIG. 3 is a front perspective view of the cover in FIG. 1;
FIG. 4 is a top view of the cover in FIG. 3;
FIG. 5 is a bottom view of the cover in FIG. 3;
FIG. 6 is a side view of the cover in FIG. 3;
FIG. 7 is a cross-sectional view of the cover in FIG. 3 taken from line 7-7 in FIG. 1;
FIG. 8 is a front perspective view of the body in FIG. 1;
FIG. 9 is a top view of the body in FIG. 8;
FIG. 10 is a bottom view of the body in FIG. 8;
FIG. 11 is a side view of the body in FIG. 8; and,
FIG. 12 is a cross-sectional view of the body in FIG. 8 taken from line 12-12 in FIG. 1.
The broken lines in the drawings depict portions of the skirted petri dish that form no part of the claimed design.

1 Claim, 12 Drawing Sheets



(56)

References Cited

U.S. PATENT DOCUMENTS

2014/0220672 A1* 8/2014 Souza C12M 23/10
435/305.3

FOREIGN PATENT DOCUMENTS

FR 570621 * 1/1999
KR 3020190039254 * 8/2009

* cited by examiner

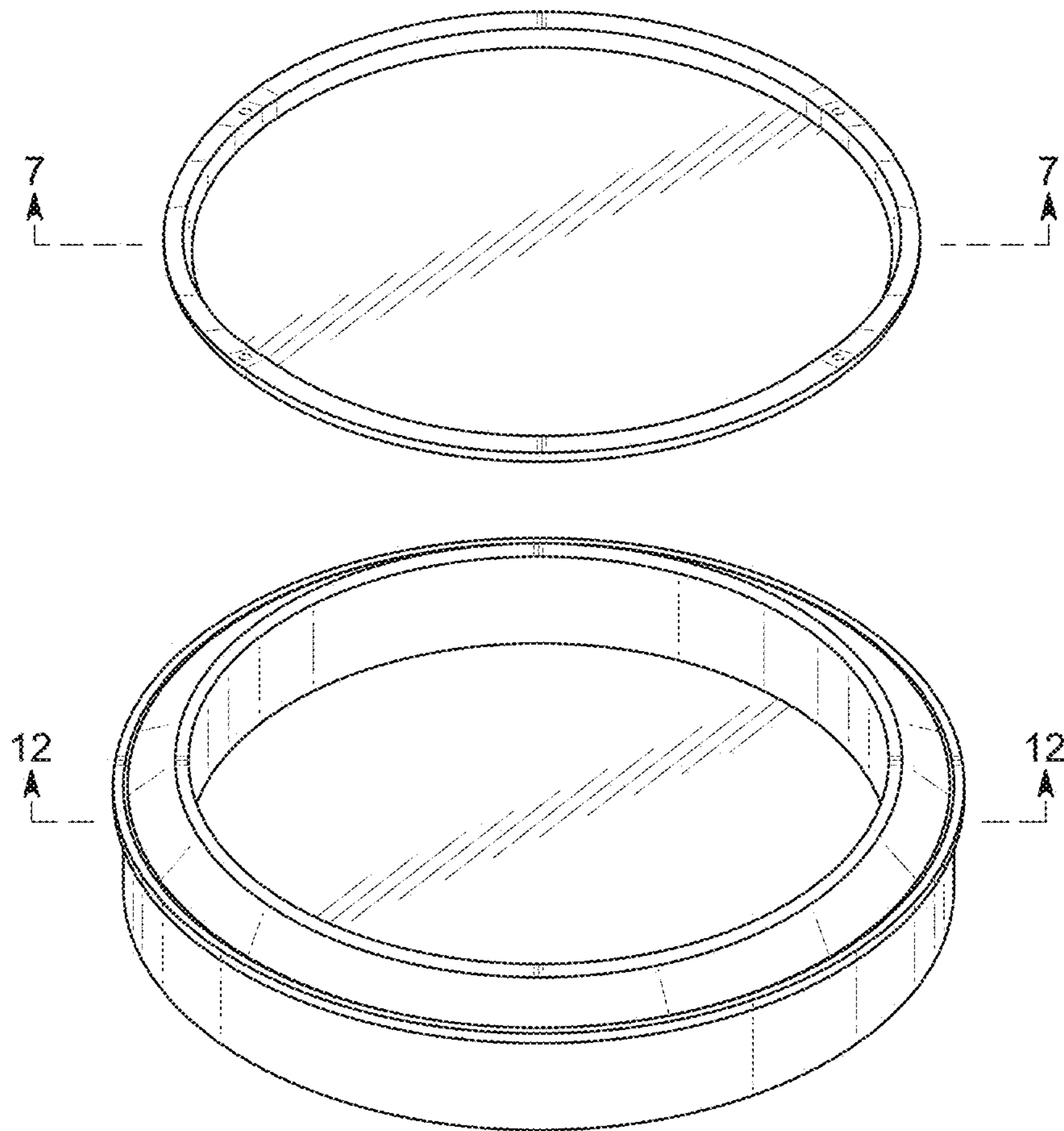


FIG. 1

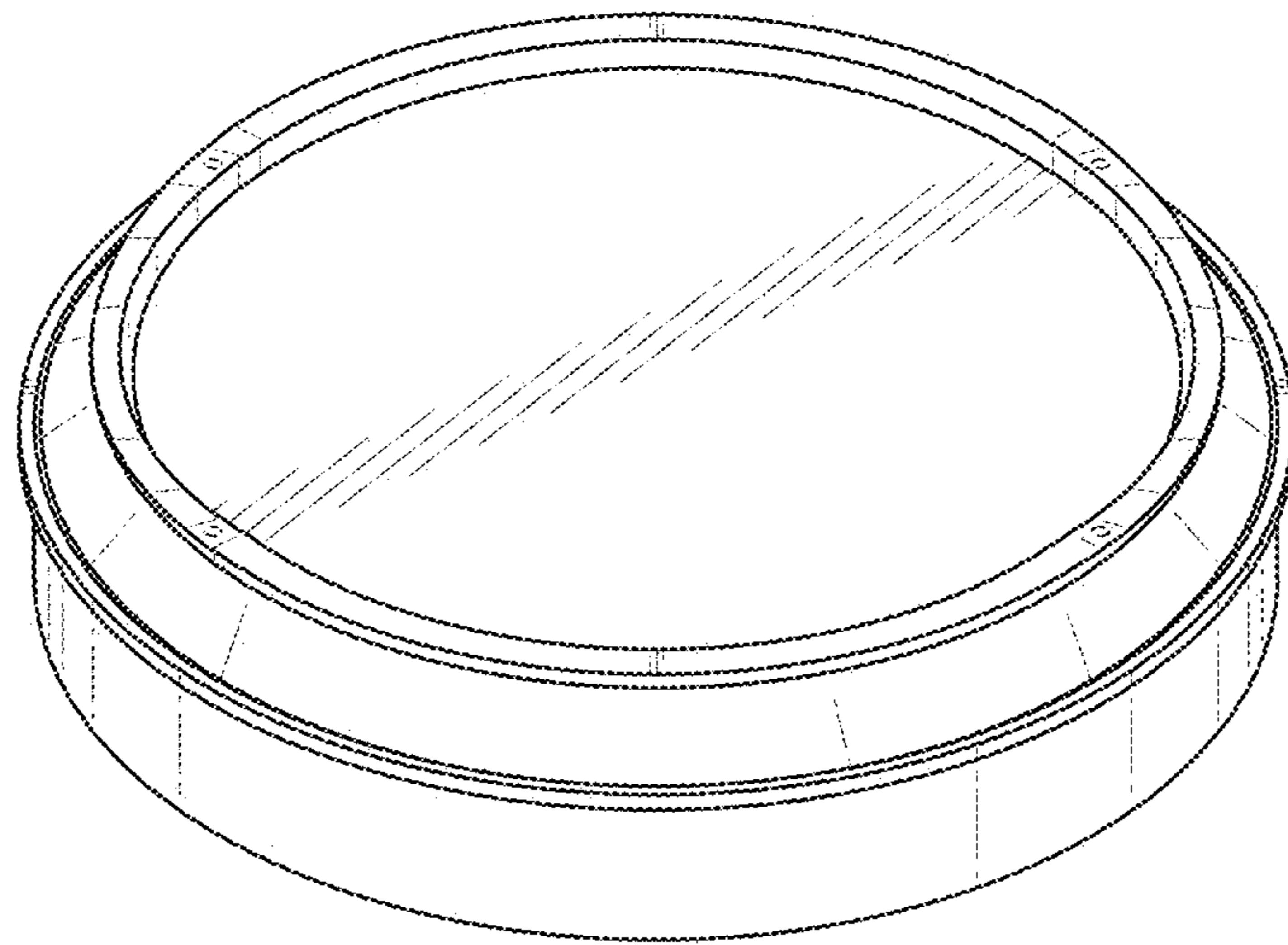


FIG. 2

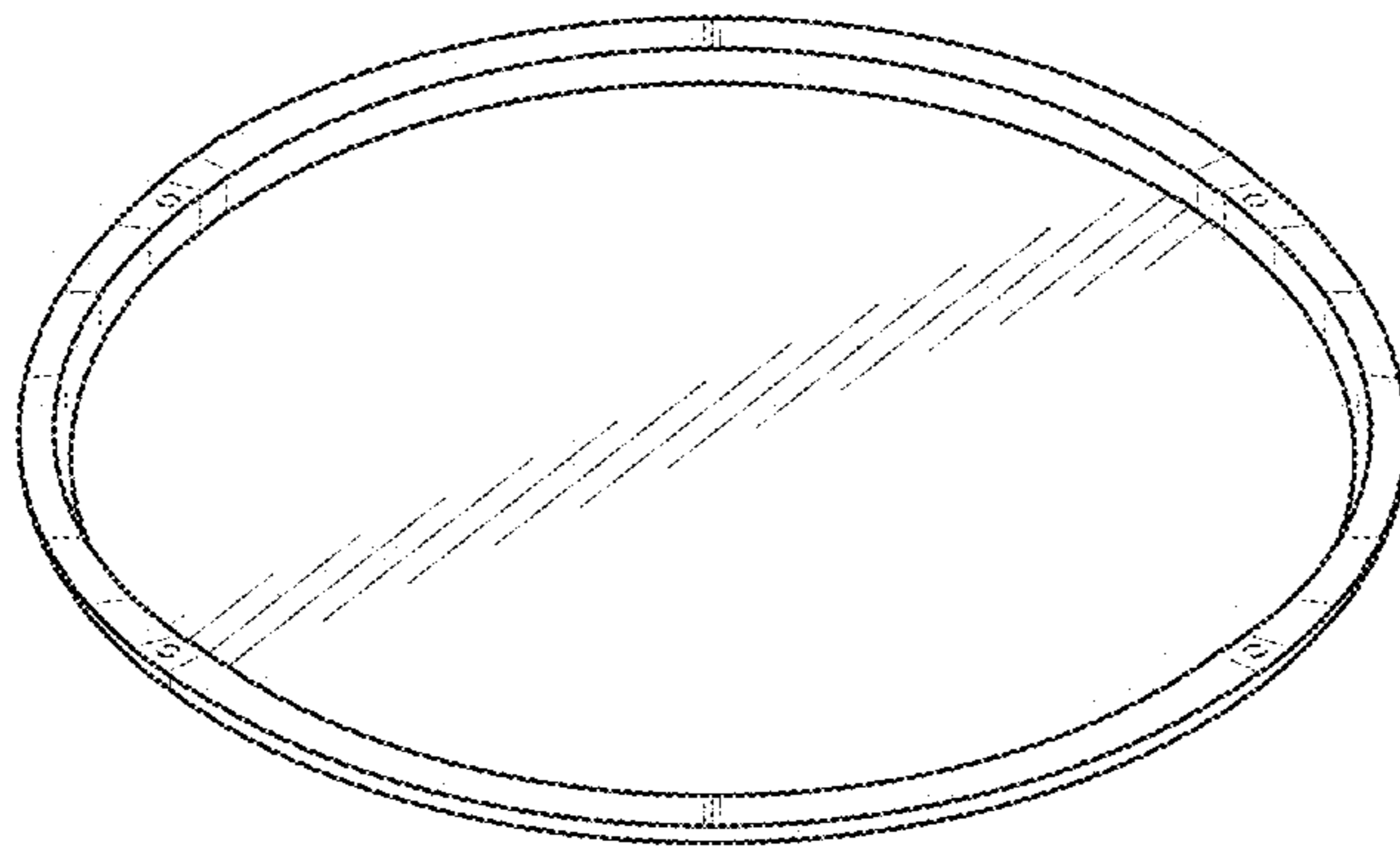


FIG. 3

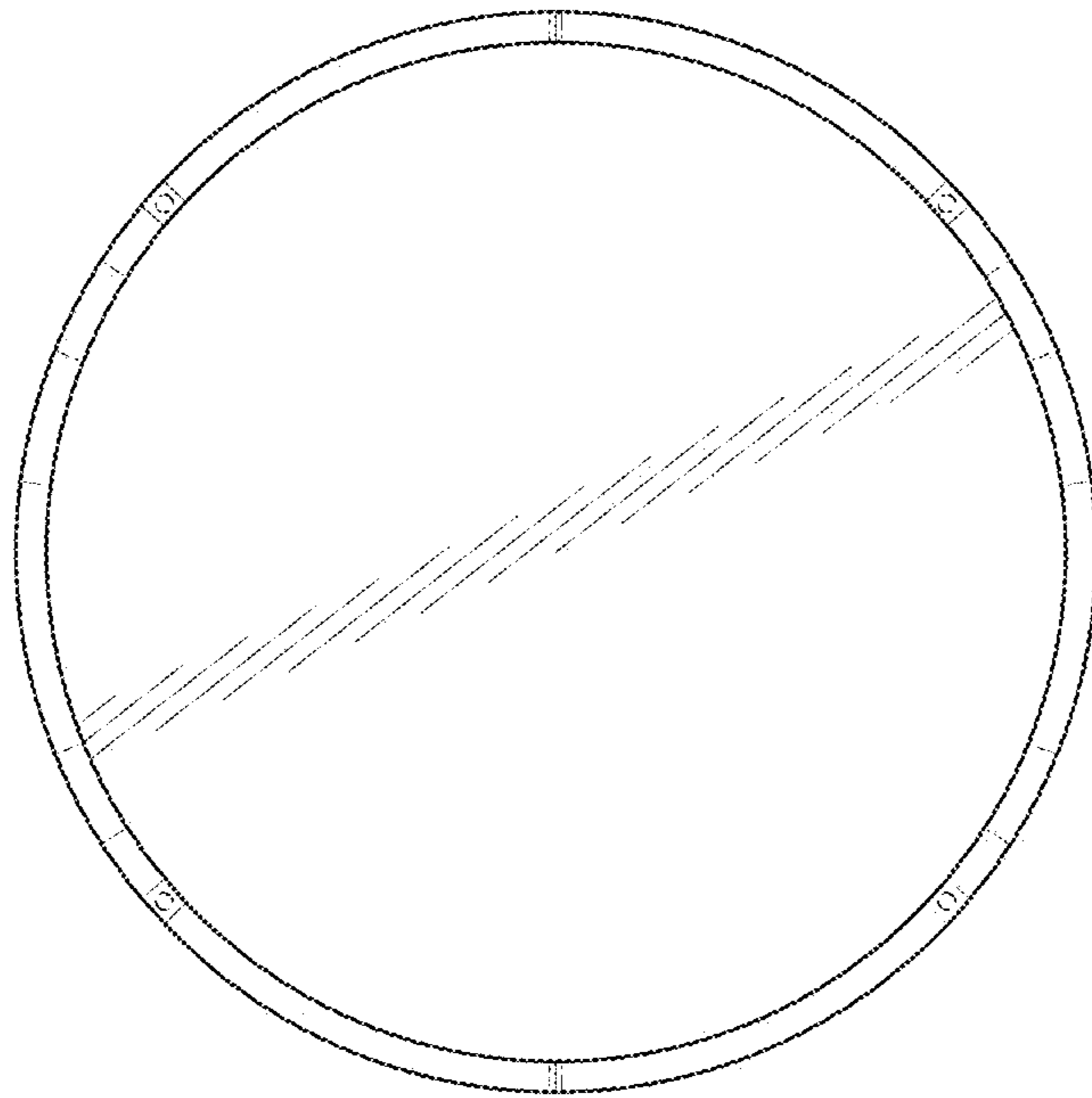


FIG. 4

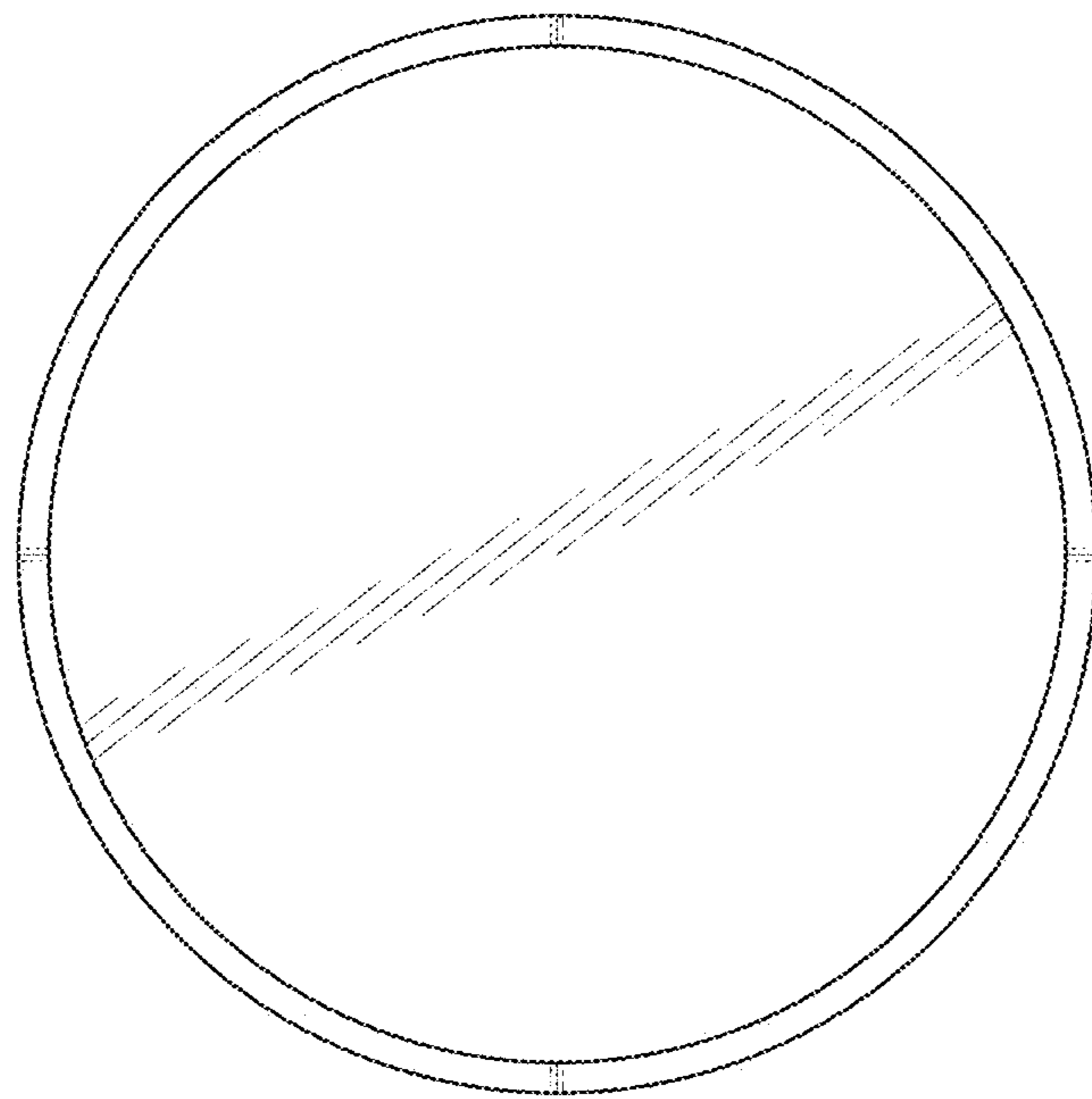


FIG. 5

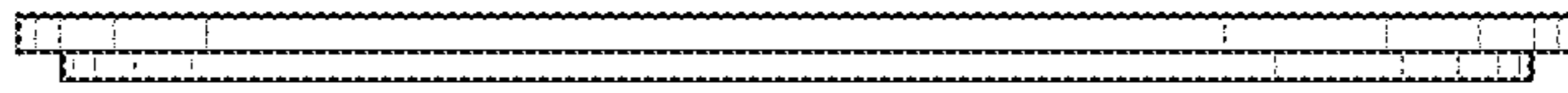


FIG. 6



FIG. 7

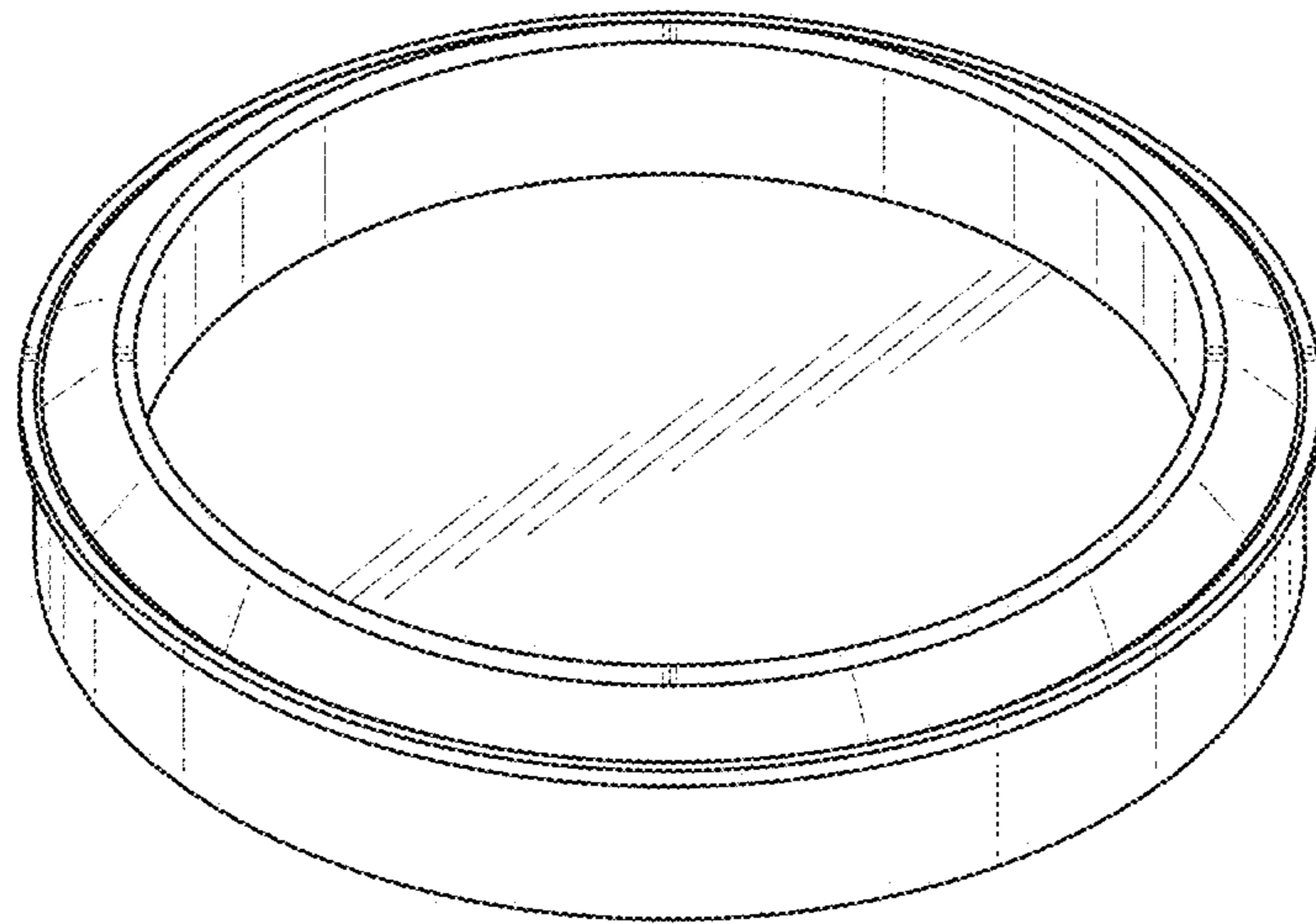


FIG. 8

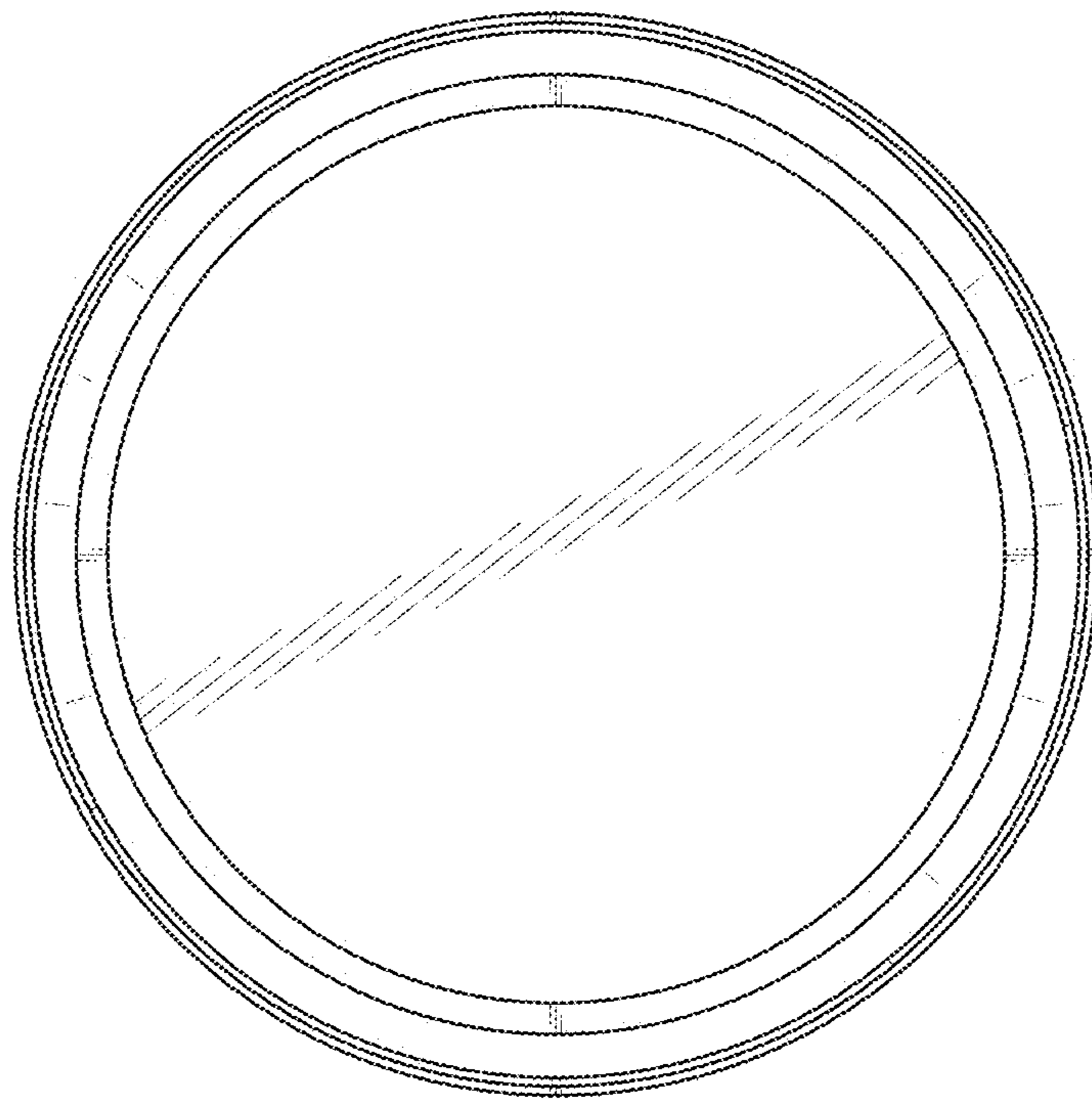


FIG. 9

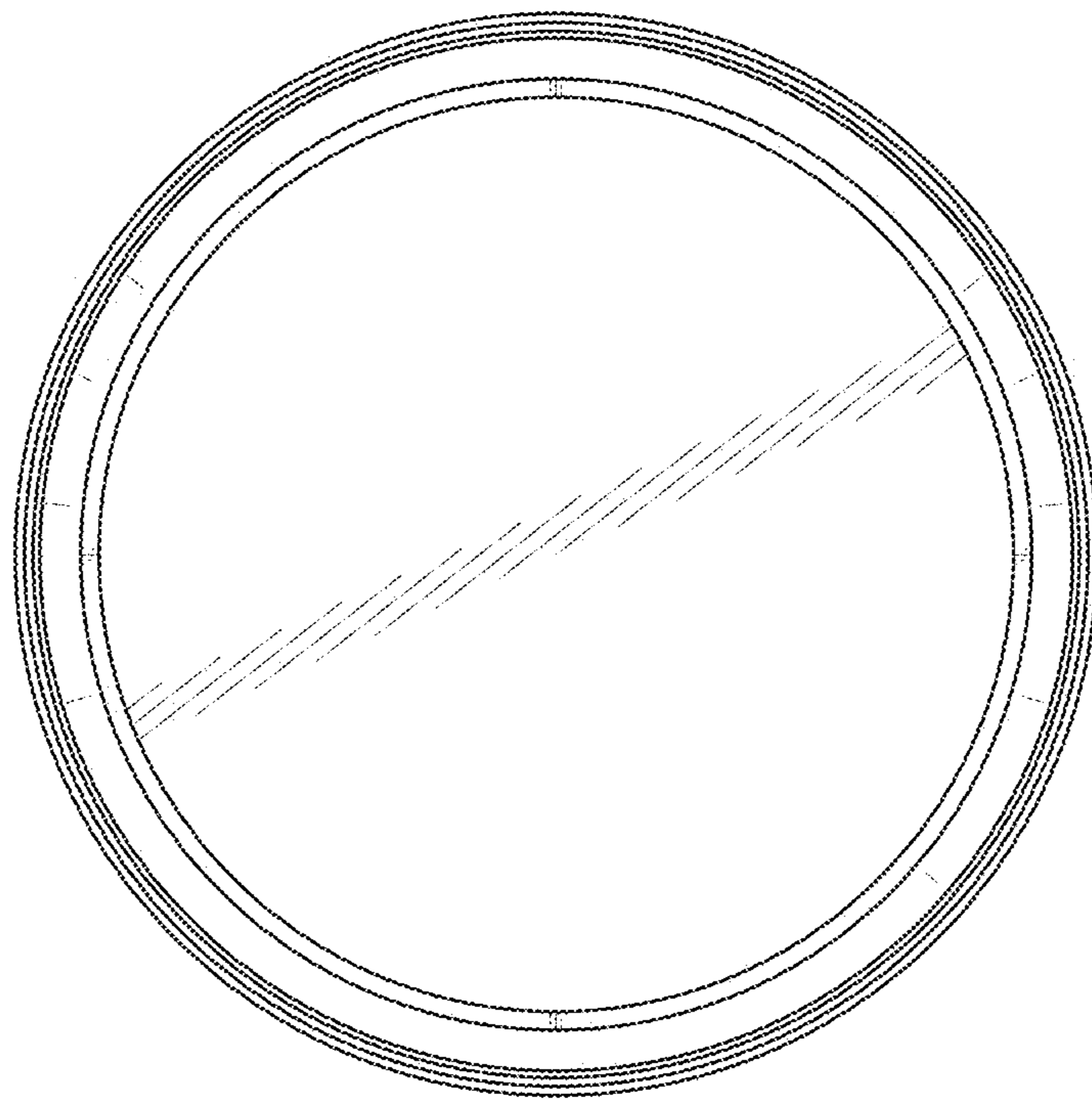


FIG. 10

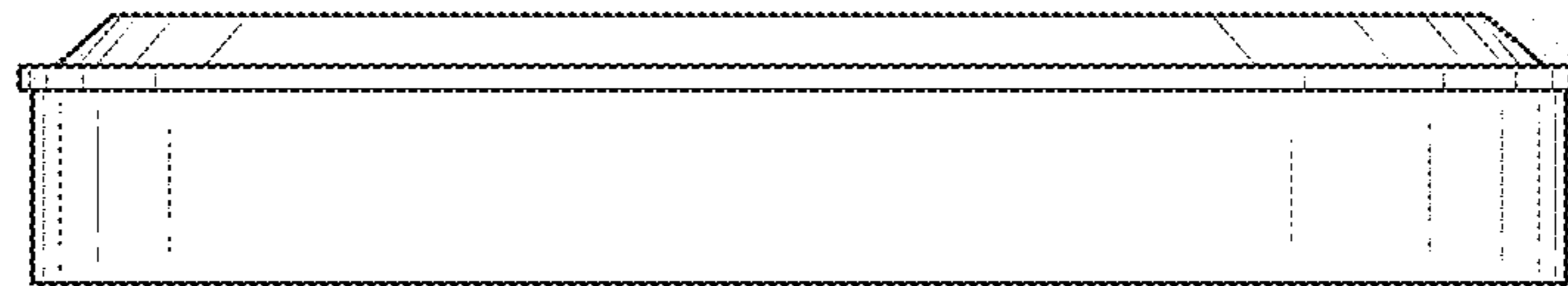


FIG. 11

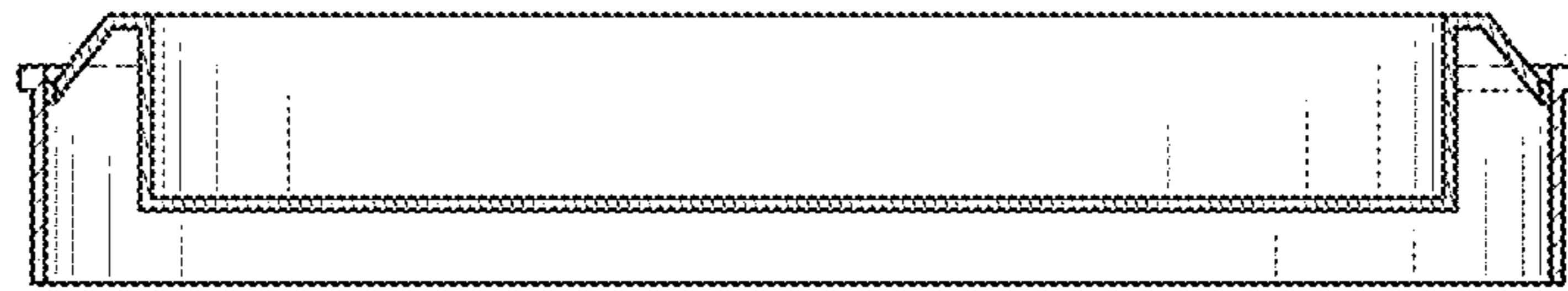


FIG. 12