



US00D927014S

(12) **United States Design Patent**
Turner

(10) **Patent No.:** **US D927,014 S**

(45) **Date of Patent:** **** Aug. 3, 2021**

(54) **CUVETTE**

(71) Applicant: **Intersurgical AG**, Vaduz (LI)

(72) Inventor: **Matthew Turner**, Crowthorne (GB)

(73) Assignee: **Intersurgical AG**, Vaduz (LI)

(**) Term: **15 Years**

(21) Appl. No.: **29/698,818**

(22) Filed: **Jul. 19, 2019**

(30) **Foreign Application Priority Data**

Jan. 21, 2019 (EP) 006079893

(51) **LOC (13) Cl.** **24-02**

(52) **U.S. Cl.**
USPC **D24/224**

(58) **Field of Classification Search**
USPC D24/107, 169, 186, 216, 223–230;
D3/203.1, 203.3
CPC G01N 21/0303; B01L 3/508
See application file for complete search history.

(56) **References Cited**

U.S. PATENT DOCUMENTS

D621,520 S *	8/2010	Talmer	D24/224
D698,036 S *	1/2014	Dickinson	D24/223
D737,451 S *	8/2015	Pokorny	D24/181
D808,036 S *	1/2018	Langhoff	D24/224
D839,448 S *	1/2019	Langhoff	D24/224
D877,356 S *	3/2020	Clive-Smith	D24/224
2010/0238436 A1 *	9/2010	Havard	G01N 21/07 356/246
2015/0198521 A1 *	7/2015	Moldt	G01N 21/05 356/246
2020/0222900 A1 *	7/2020	Merchez	G01N 15/10

OTHER PUBLICATIONS

CO2 Cuvette for Dräger® ventilators. Online, published date unknown. Retrieved on Oct. 19, 2020 from URL: file:///C:/Users/oagilee/Downloads/IS1.51_CO2_Cuvette_Drager_ventilators_web.pdf.*
Dräger Medical GmbH, Instruction Manual for Oxylog 3000 Plus, pp. 1, 48, 167, 168, 172 (2012).
Image of “Disposable CO2 Cuvette—Adults” Order No. MP01062 (downloaded Jun. 16, 2020).
Image of “Disposable CO2 Cuvette—paed.” Order No. MP01063 (downloaded Jun. 16, 2020).

* cited by examiner

Primary Examiner — Janice Hallmark

Assistant Examiner — Omeed Agilee

(74) *Attorney, Agent, or Firm* — Troutman Pepper Hamilton Sanders LLP (Rochester)

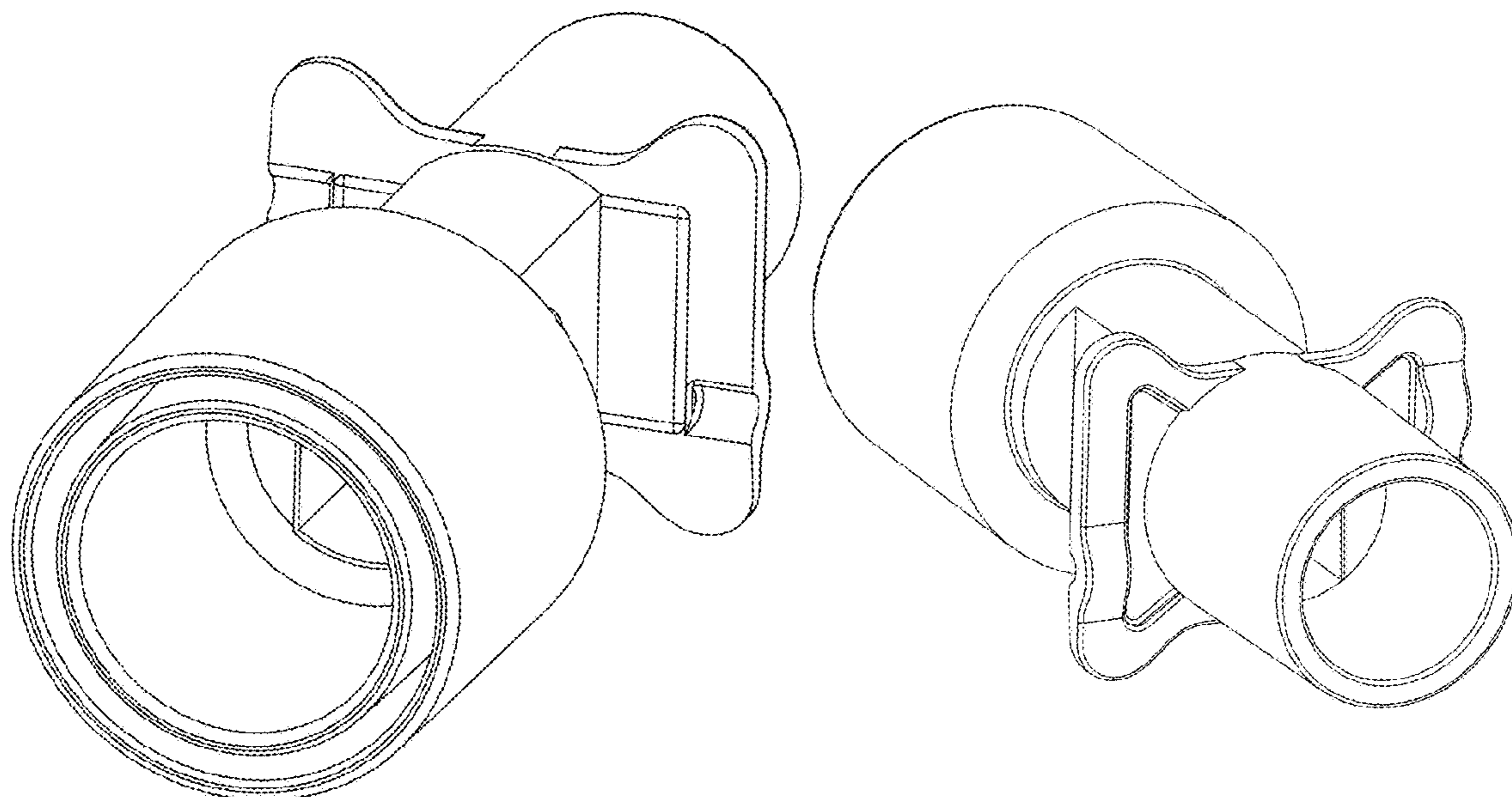
(57) **CLAIM**

The ornamental design for a cuvette, as shown and described.

DESCRIPTION

FIG. 1 is a top, front perspective view of a cuvette.
FIG. 2 is a top, rear perspective view of the cuvette shown in FIG. 1.
FIG. 3 is a left side view of the cuvette shown in FIG. 1.
FIG. 4 is a right side view of the cuvette shown in FIG. 1.
FIG. 5 is an enlarged front end view of the cuvette shown in FIG. 1.
FIG. 6 is an enlarged rear end view of the cuvette shown in FIG. 1.
FIG. 7 is a top view of the cuvette shown in FIG. 1; and, FIG. 8 is a bottom view of the cuvette shown in FIG. 1.
The broken lines depict portions of the cuvette that form no part of the claimed design. The dot-dash-dot broken lines depict the boundaries of the claim and form no part thereof.

1 Claim, 8 Drawing Sheets



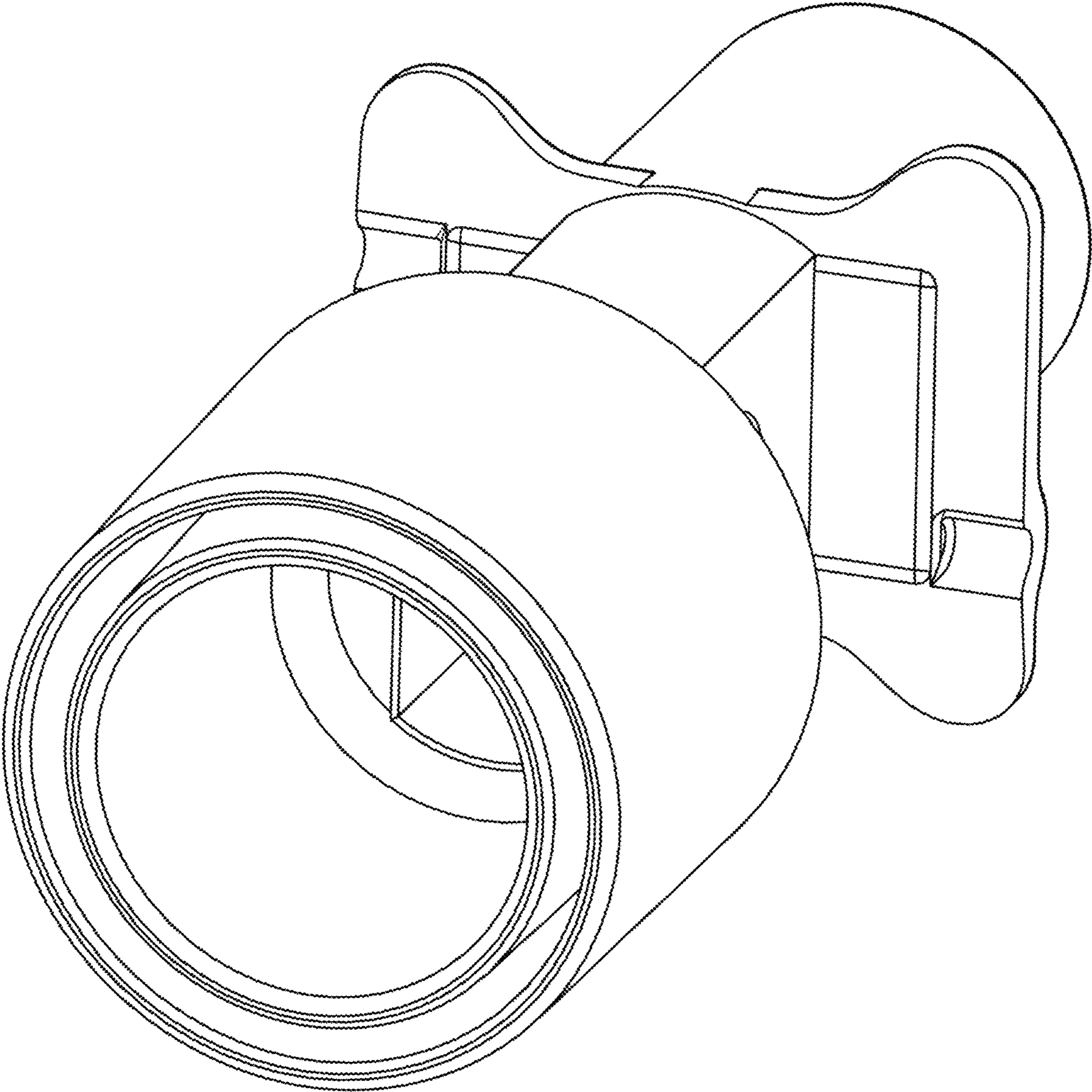


FIG. 1

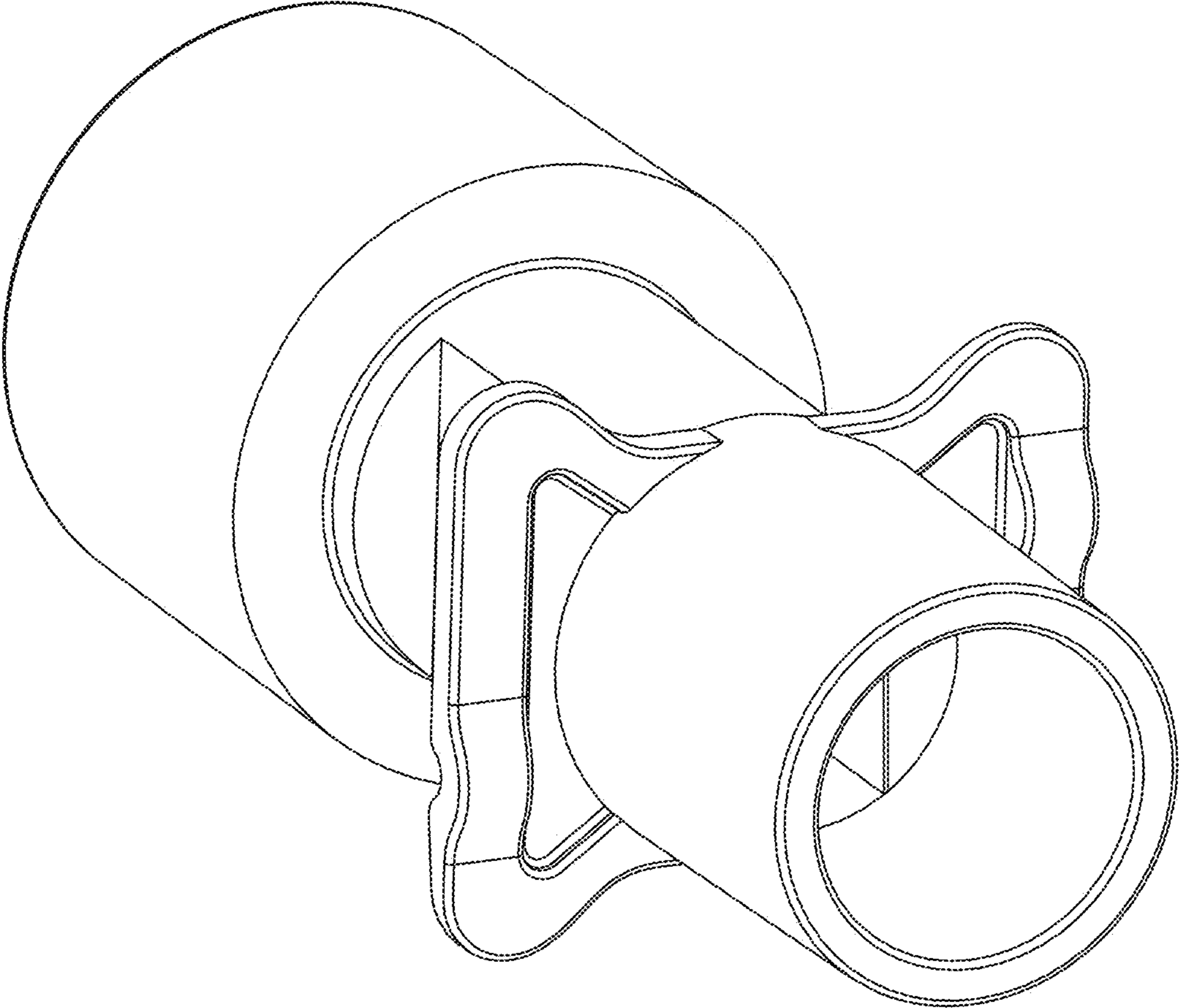


FIG. 2

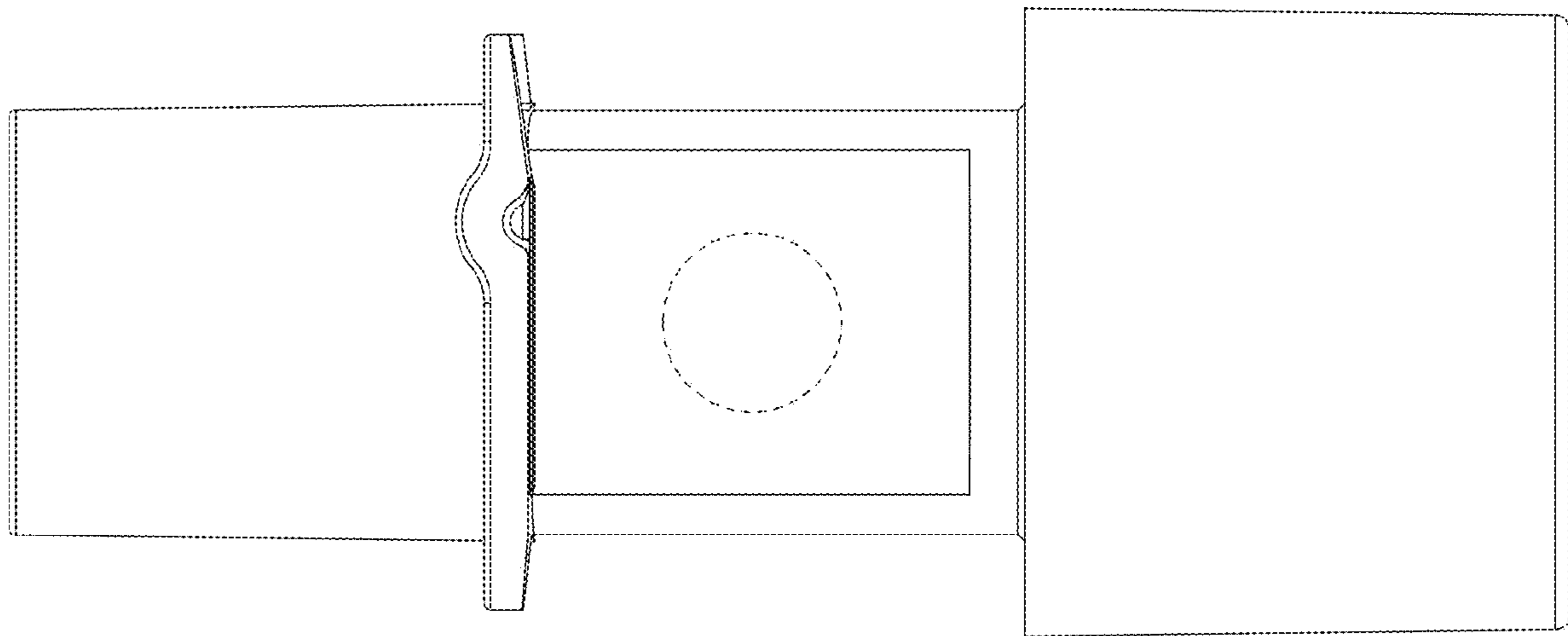


FIG. 3

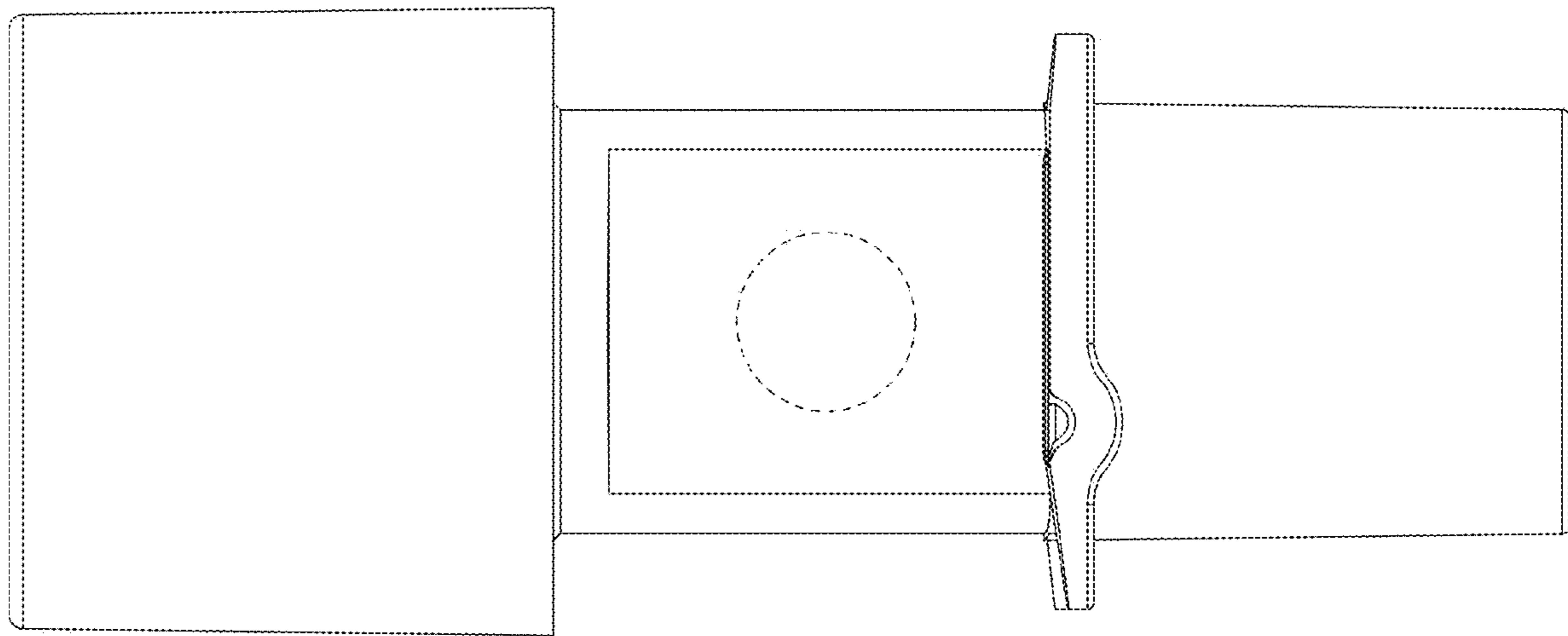


FIG. 4

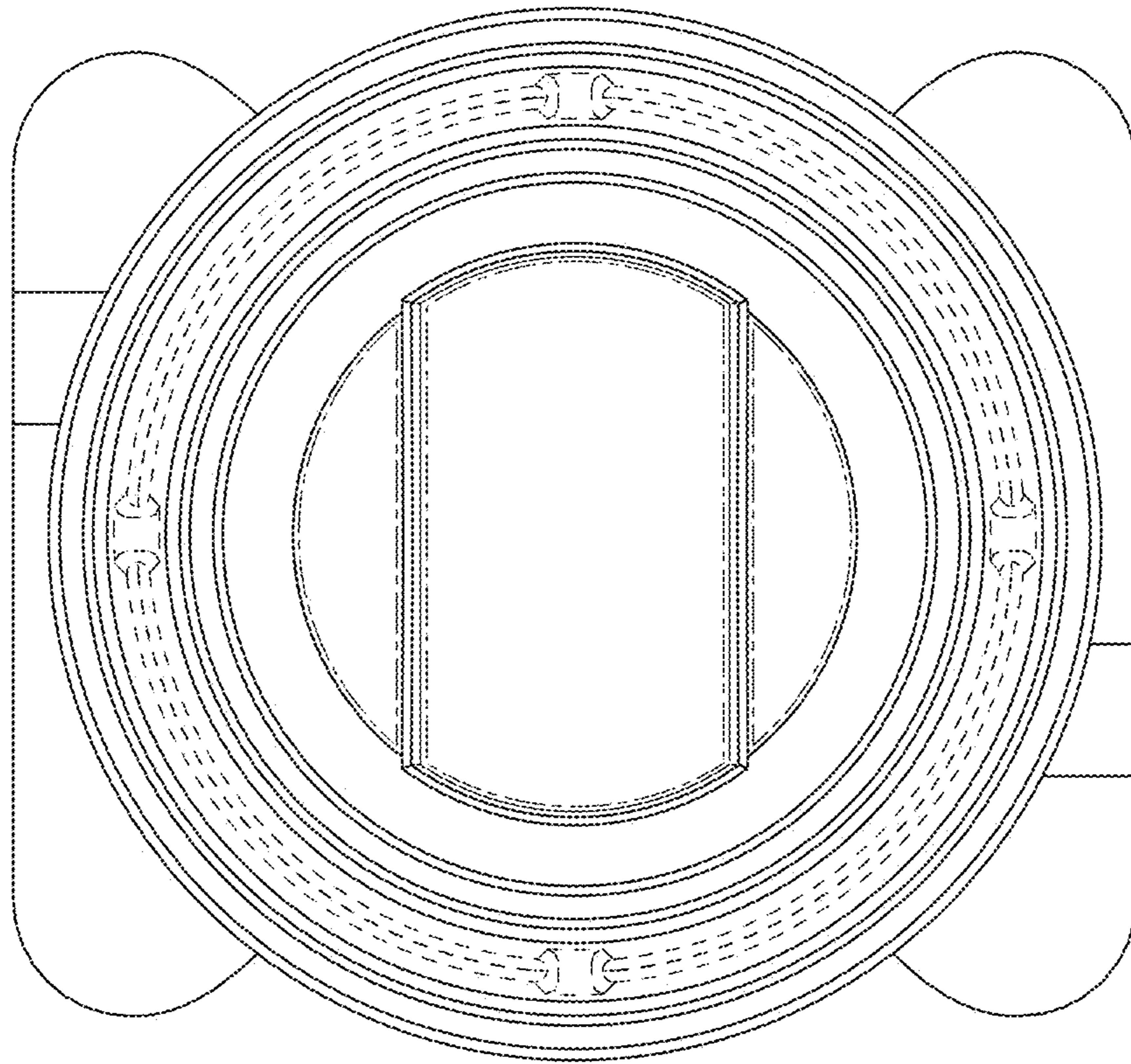


FIG. 5

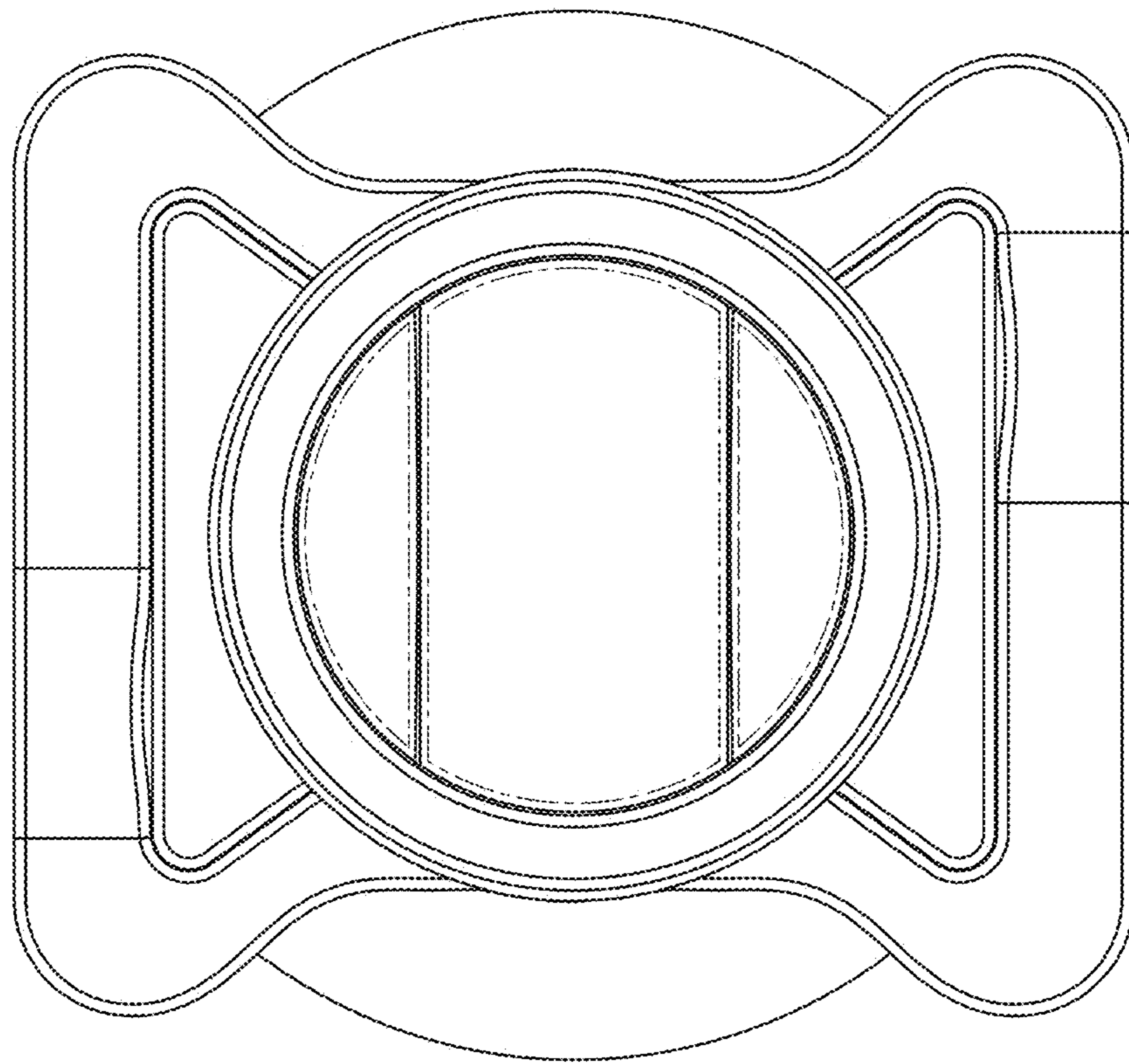


FIG. 6

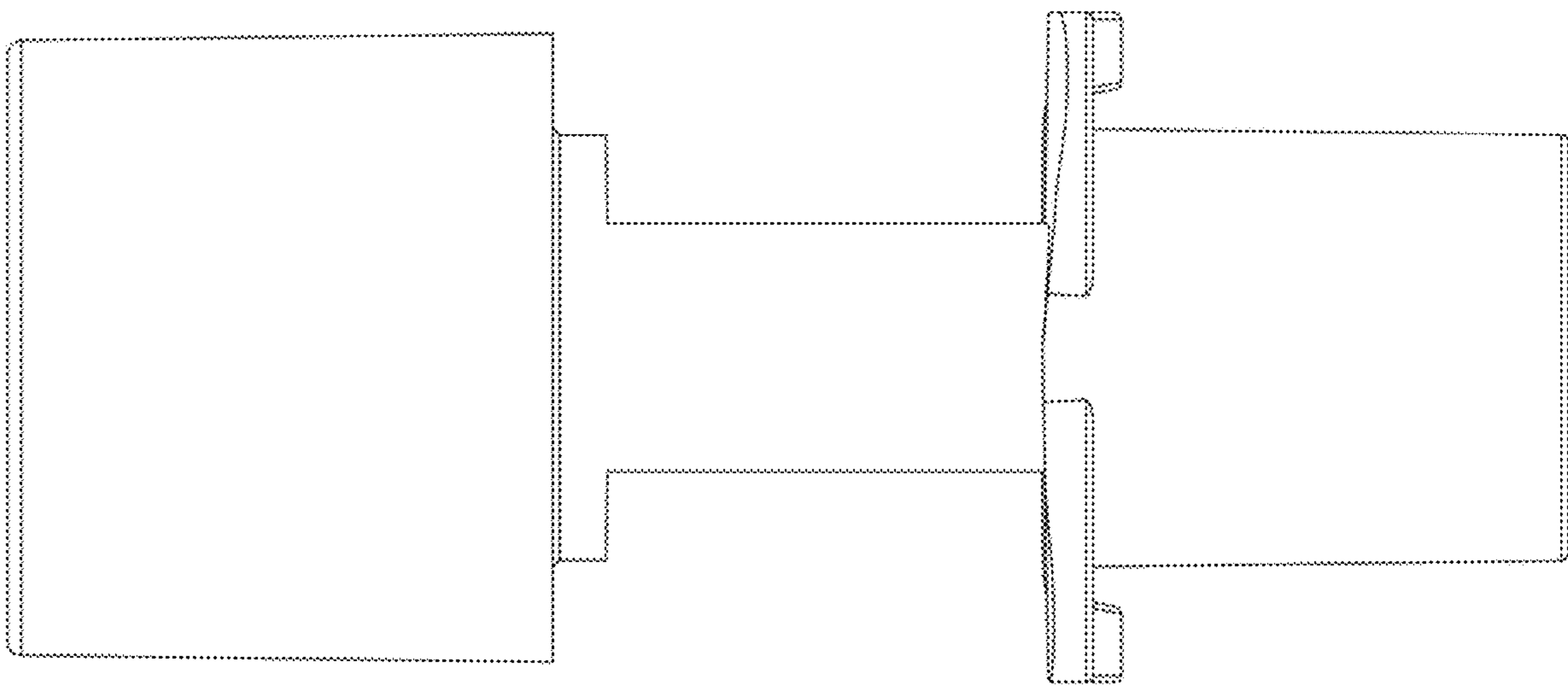


FIG. 7

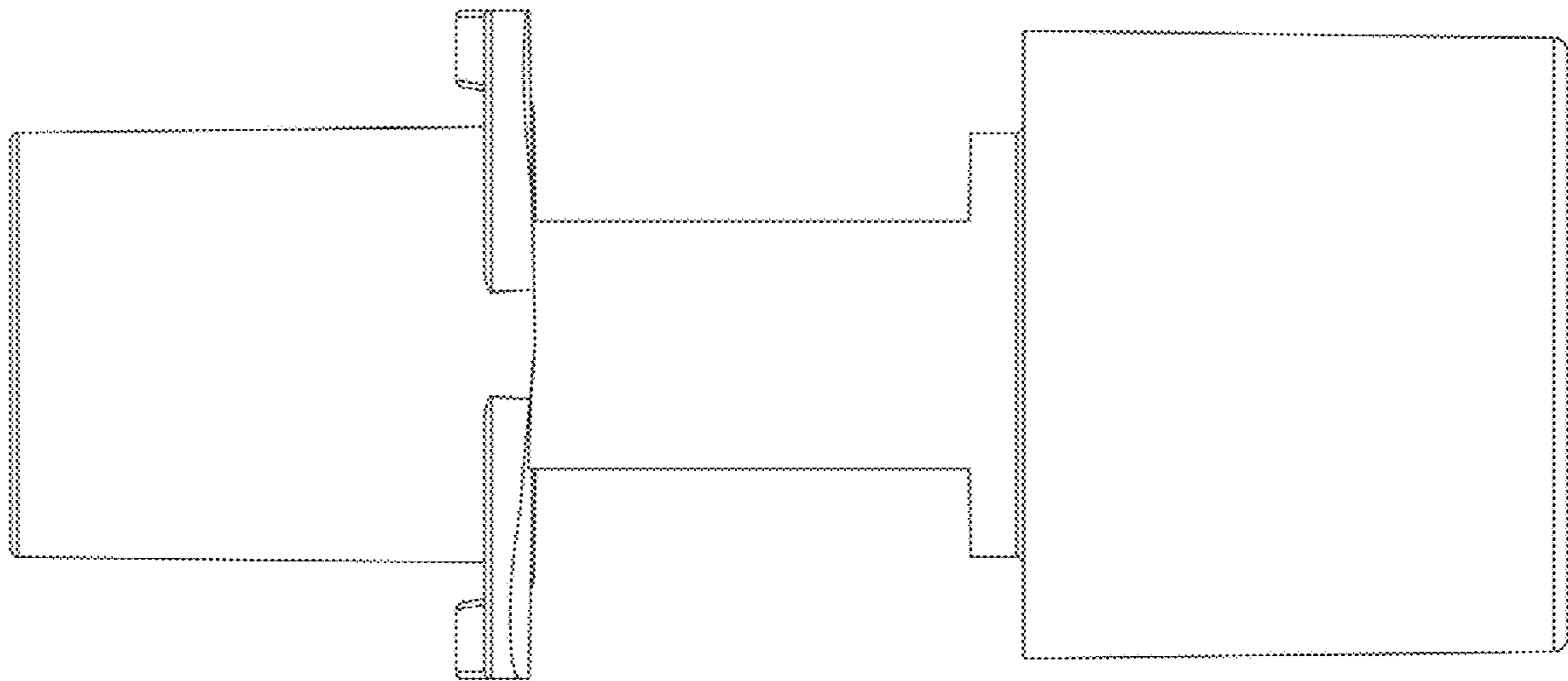


FIG. 8