



US00D927011S

(12) **United States Design Patent**
Jouffret et al.

(10) **Patent No.:** **US D927,011 S**

(45) **Date of Patent:** **** Aug. 3, 2021**

- (54) **VIBRATOR**
- (71) Applicant: **WFH DESIGN USA LLC**, Miami, FL (US)
- (72) Inventors: **Patrick Jouffret**, Toulon (FR); **Alice de Roquemaurel**, Ekeren (BE)
- (73) Assignee: **WFH DESIGN USA LLC**, Miami, FL (US)
- (**) Term: **15 Years**
- (21) Appl. No.: **29/719,847**
- (22) Filed: **Jan. 8, 2020**
- (51) **LOC (13) Cl.** **28-03**
- (52) **U.S. Cl.**
USPC **D24/215**
- (58) **Field of Classification Search**
USPC D24/200, 211, 212, 213, 214, 215
CPC .. A61H 19/32; A61H 19/40; A61H 2205/087;
A61H 19/34; A61H 21/00; A61H
2201/1652
See application file for complete search history.

(56) **References Cited**

U.S. PATENT DOCUMENTS

D450,614 S *	11/2001	Wilkinson	D11/26
D496,458 S *	9/2004	Lin	D24/105
D523,151 S *	6/2006	Telford	D24/215
D523,152 S *	6/2006	Telford	D24/215
D523,958 S *	6/2006	Fang	D24/105
D552,748 S *	10/2007	Gromosaik	D11/26
D552,749 S *	10/2007	Gromosaik	D11/26
D552,750 S *	10/2007	Gromosaik	D11/26
D557,806 S *	12/2007	Gromosaik	D24/105
D564,666 S *	3/2008	Klearman	D11/26
D566,289 S *	4/2008	Tasker	D24/215
D581,544 S *	11/2008	Adams	D24/105

8,092,405 B2 *	1/2012	Klearman	A61H 19/00 601/70
D674,910 S *	1/2013	Adams	D24/215
D704,346 S *	5/2014	Tai	D24/215
D704,347 S *	5/2014	Tai	D24/215
D706,436 S *	6/2014	Hahr	D24/215
D706,437 S *	6/2014	Hahr	D24/215
D706,438 S *	6/2014	Hahr	D24/215
D706,439 S *	6/2014	Hahr	D24/215
D706,443 S *	6/2014	Hahr	D24/215
D725,283 S *	3/2015	Sedic	D24/215
D728,119 S *	4/2015	Sedic	D24/215
D752,298 S *	3/2016	Stephens	D30/199
D771,270 S *	11/2016	Tai	D24/215
D773,066 S *	11/2016	Sedic	D24/215
D808,034 S *	1/2018	Matsuura	D24/215
D809,150 S *	1/2018	Nolasco	D24/215
D824,037 S *	7/2018	Yueh	D24/215

(Continued)

Primary Examiner — Cynthia Ramirez

Assistant Examiner — Michael A Maharajh

(74) *Attorney, Agent, or Firm* — Pearne & Gordon LLP

(57) **CLAIM**

The ornamental design for a vibrator, as shown and described.

DESCRIPTION

FIG. 1 is a front perspective view of a vibrator showing my new invention;

FIG. 2 is a top view thereof;

FIG. 3 is a right side view thereof;

FIG. 4 is a bottom view thereof;

FIG. 5 is a left side view thereof;

FIG. 6 is a front side view thereof;

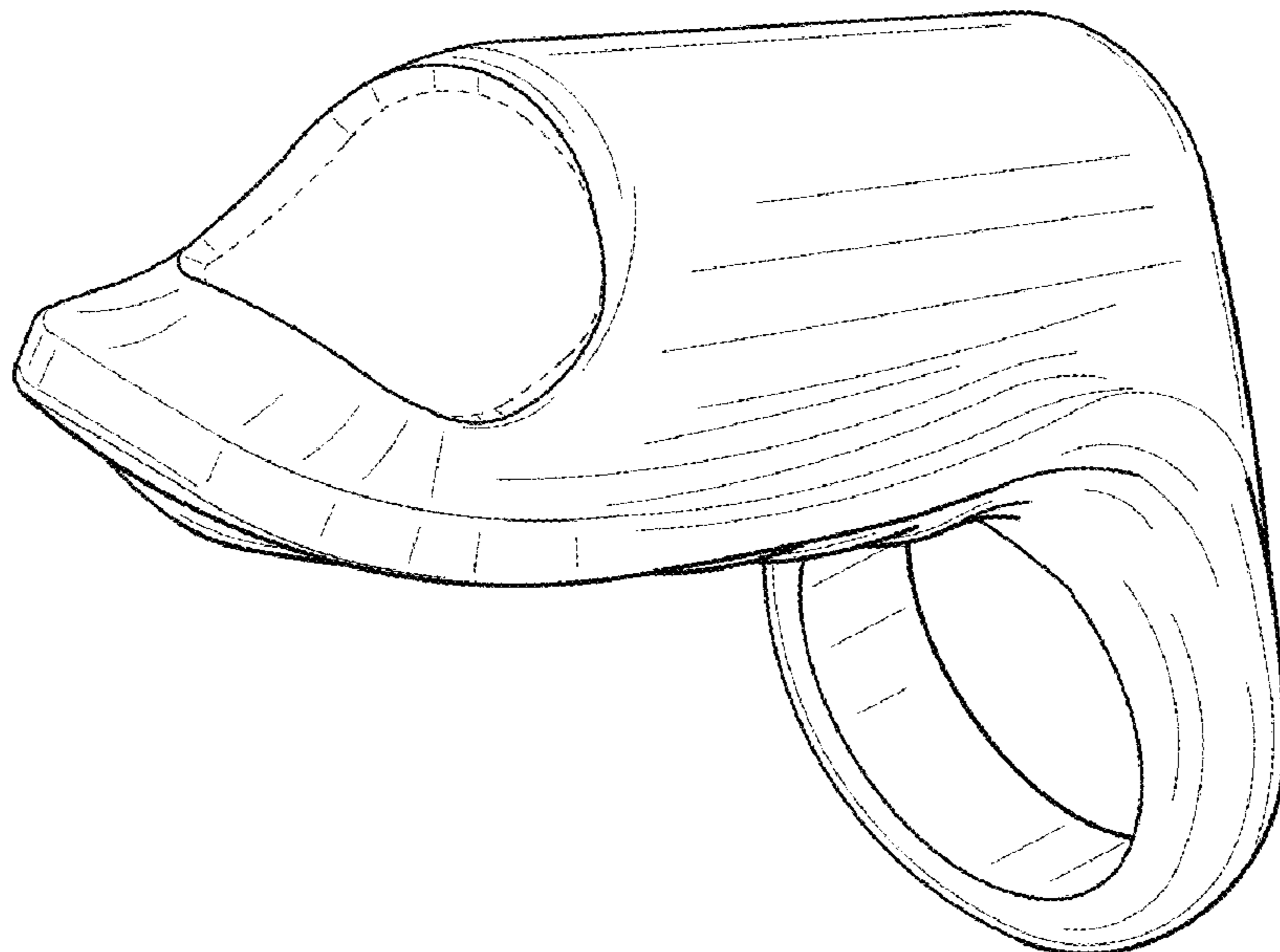
FIG. 7 is a rear view thereof;

FIG. 8 is a right rear perspective view thereof; and,

FIG. 9 is a left rear perspective view thereof.

The broken lines shown in the drawings illustrate portions of the vibrator that form no part of the claimed design.

1 Claim, 4 Drawing Sheets



(56)

References Cited

U.S. PATENT DOCUMENTS

D828,572 S *	9/2018	Lieberman	A61H 23/02 D24/215	2009/0306468 A1*	12/2009	Tasker	A61H 19/50 600/41
D853,261 S *	7/2019	Elangovan	G06F 1/163 D10/104.1	2009/0318755 A1*	12/2009	Adams	A61F 5/41 600/41
D877,352 S *	3/2020	Jouffret	D24/215	2012/0116273 A1*	5/2012	Nan	A61H 19/34 601/46
D879,991 S *	3/2020	Li	D24/215	2013/0131442 A1*	5/2013	Tomlinson, Jr.	A61F 2/78 600/38
D893,739 S *	8/2020	Li	D24/215	2013/0253264 A1*	9/2013	Canbulat	A61H 19/32 600/38
D898,211 S *	10/2020	Lampert	D24/215	2014/0228629 A1*	8/2014	Baetica	A61H 23/00 600/38
D898,214 S *	10/2020	Zhou	D24/215	2015/0157531 A1*	6/2015	Sedic	A61H 19/32 601/46
D906,531 S *	12/2020	Lopez	D24/215	2015/0313749 A1*	11/2015	Hahr	A61H 19/50 600/39
D908,907 S *	1/2021	Lampert	D24/215	2016/0030802 A1*	2/2016	Hagg	A61H 7/001 482/10
D908,910 S *	1/2021	Lampert	D24/215	2016/0106569 A1*	4/2016	Hahr	A61F 5/41 600/41
2002/0103415 A1*	8/2002	Manska	A61H 19/32 600/38	2017/0042757 A1*	2/2017	Wang	A61H 19/34
2003/0083598 A1*	5/2003	Kobayashi	A61F 5/41 601/70	2017/0042758 A1*	2/2017	Cregan	A61H 23/02
2007/0118199 A1*	5/2007	Yang	A61H 23/00 607/143	2018/0116904 A1*	5/2018	Lieberman	A61H 23/02
2008/0077058 A1*	3/2008	Klearman	A61H 23/0254 601/70	2018/0193620 A1*	7/2018	Barasch	A61H 19/32
2009/0012355 A1*	1/2009	Lin	A61H 19/50 600/41	2020/0069511 A1*	3/2020	Lopez	G06F 3/0346
2009/0069629 A1*	3/2009	Uson Calvo	A61H 19/34 600/38	2020/0261305 A1*	8/2020	Lewis	A61H 23/0263
					2020/0268595 A1*	8/2020	Lewis	A61H 19/30

* cited by examiner

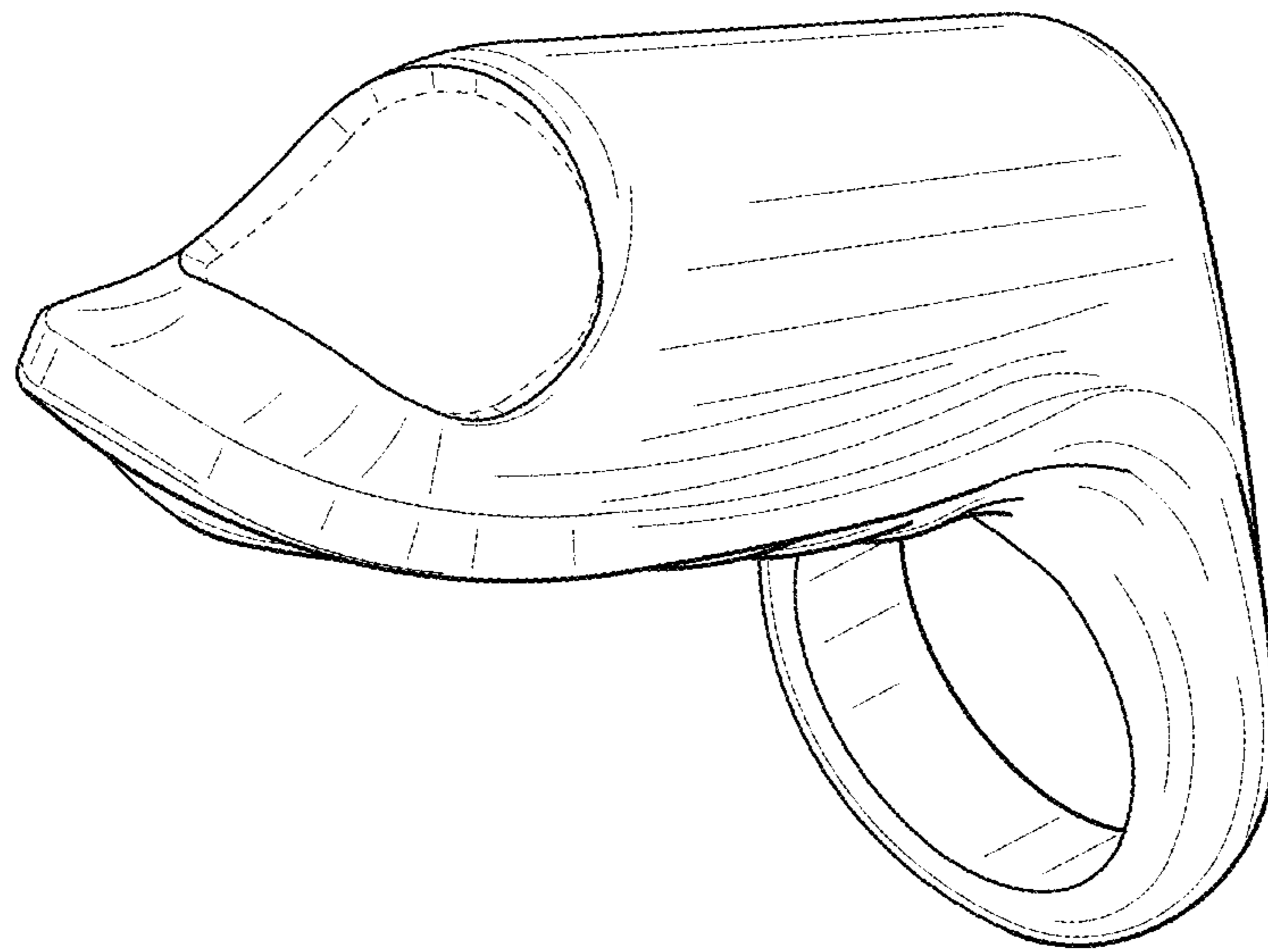


FIG. 1

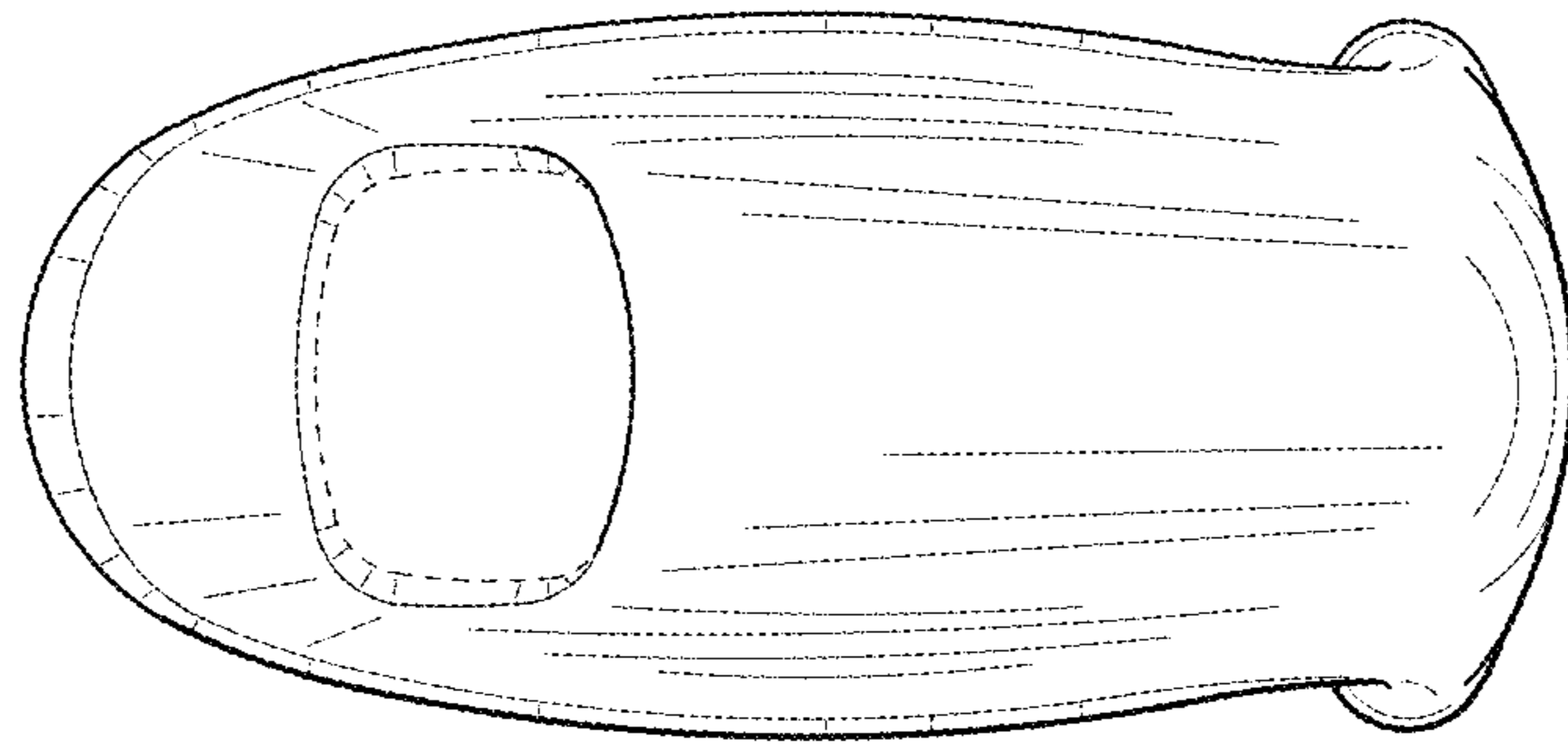


FIG. 2

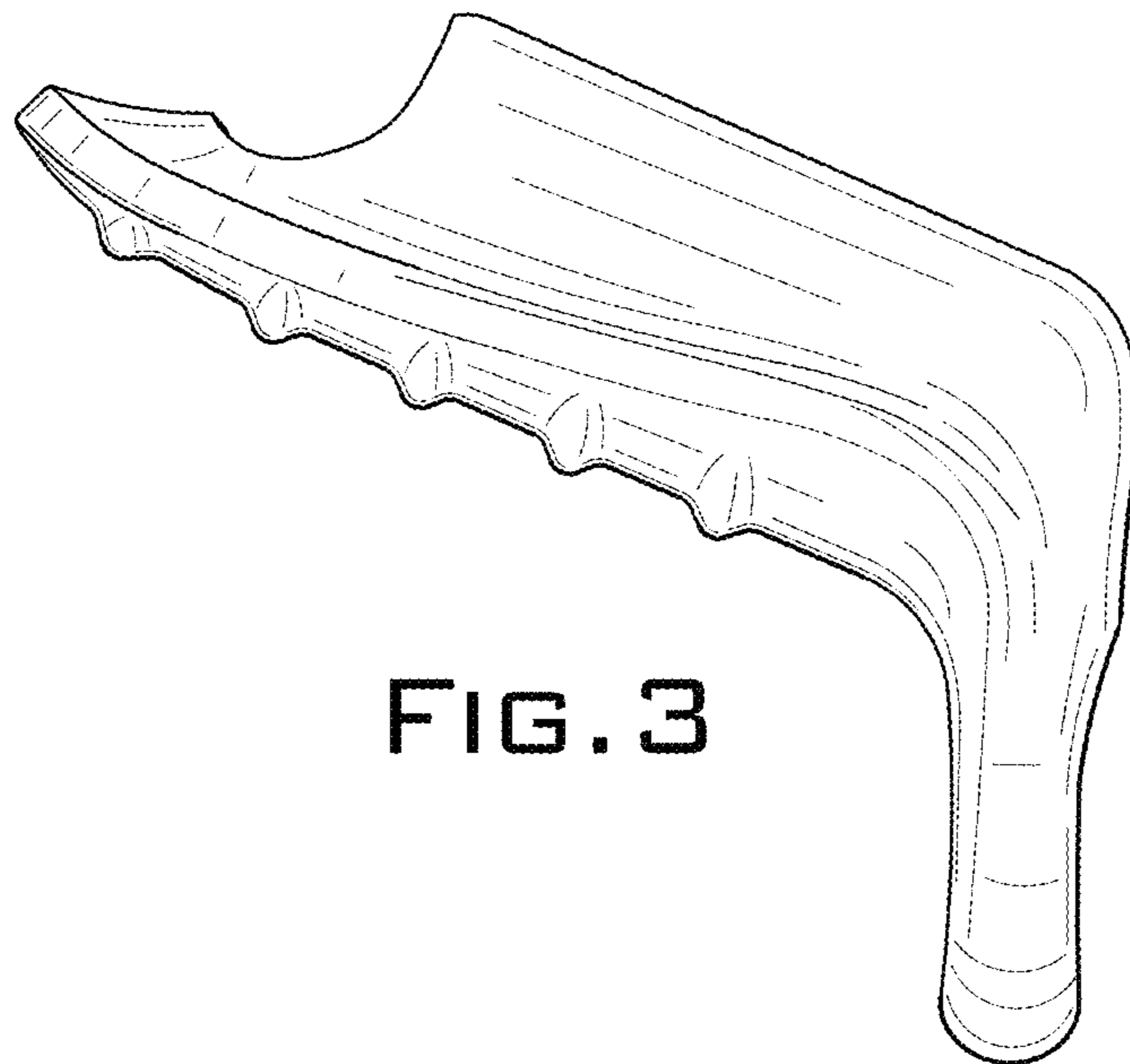


FIG. 3

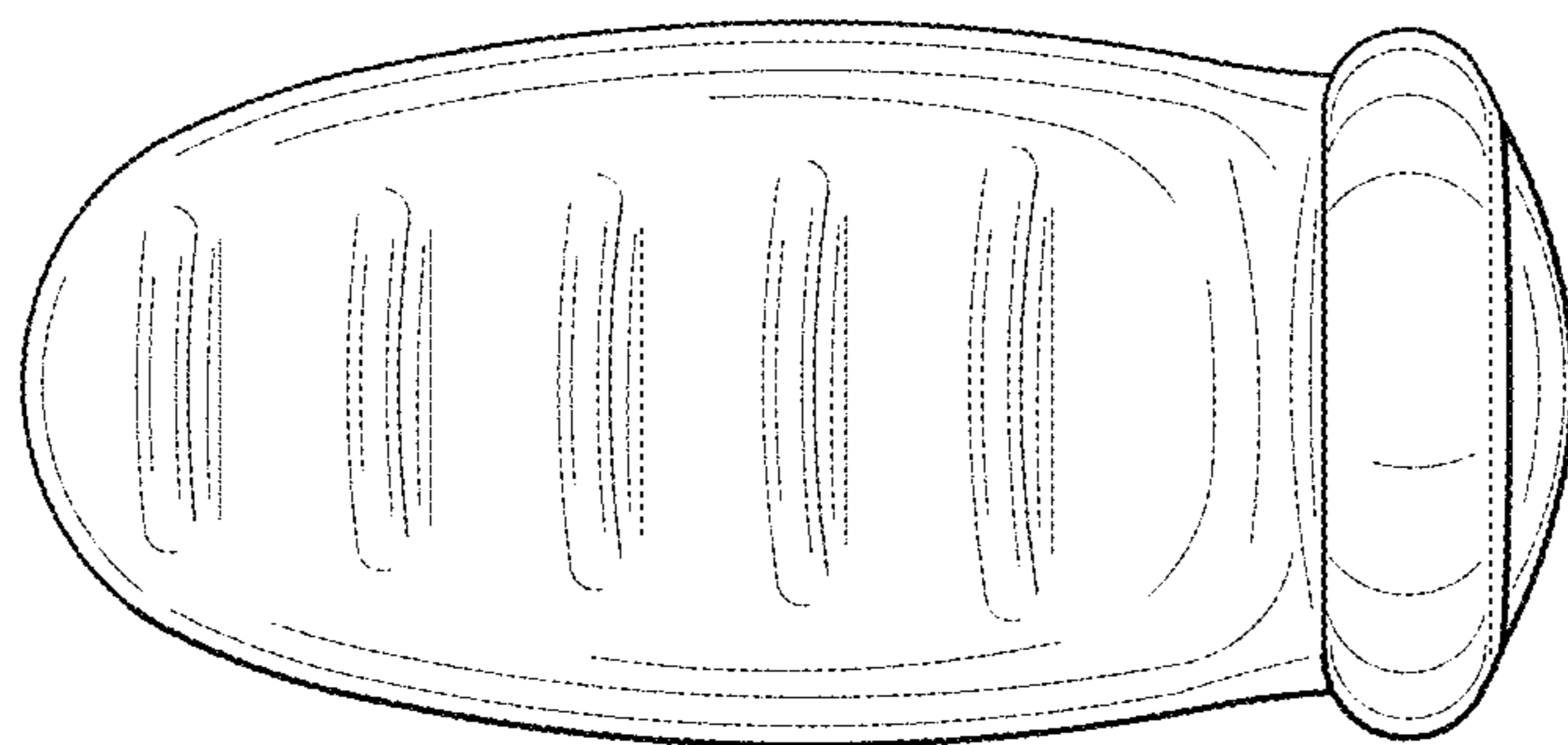


FIG. 4

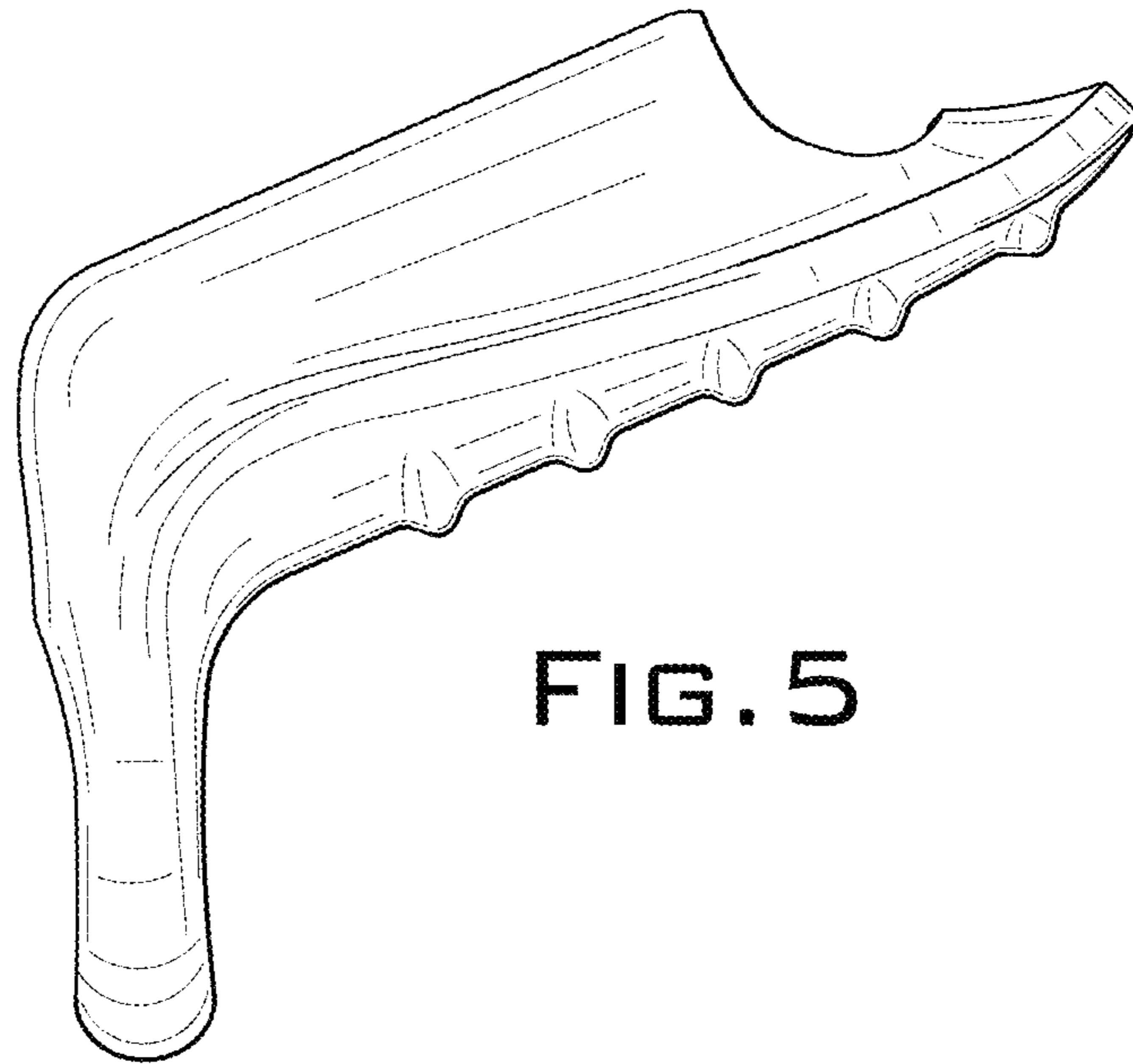


FIG. 5

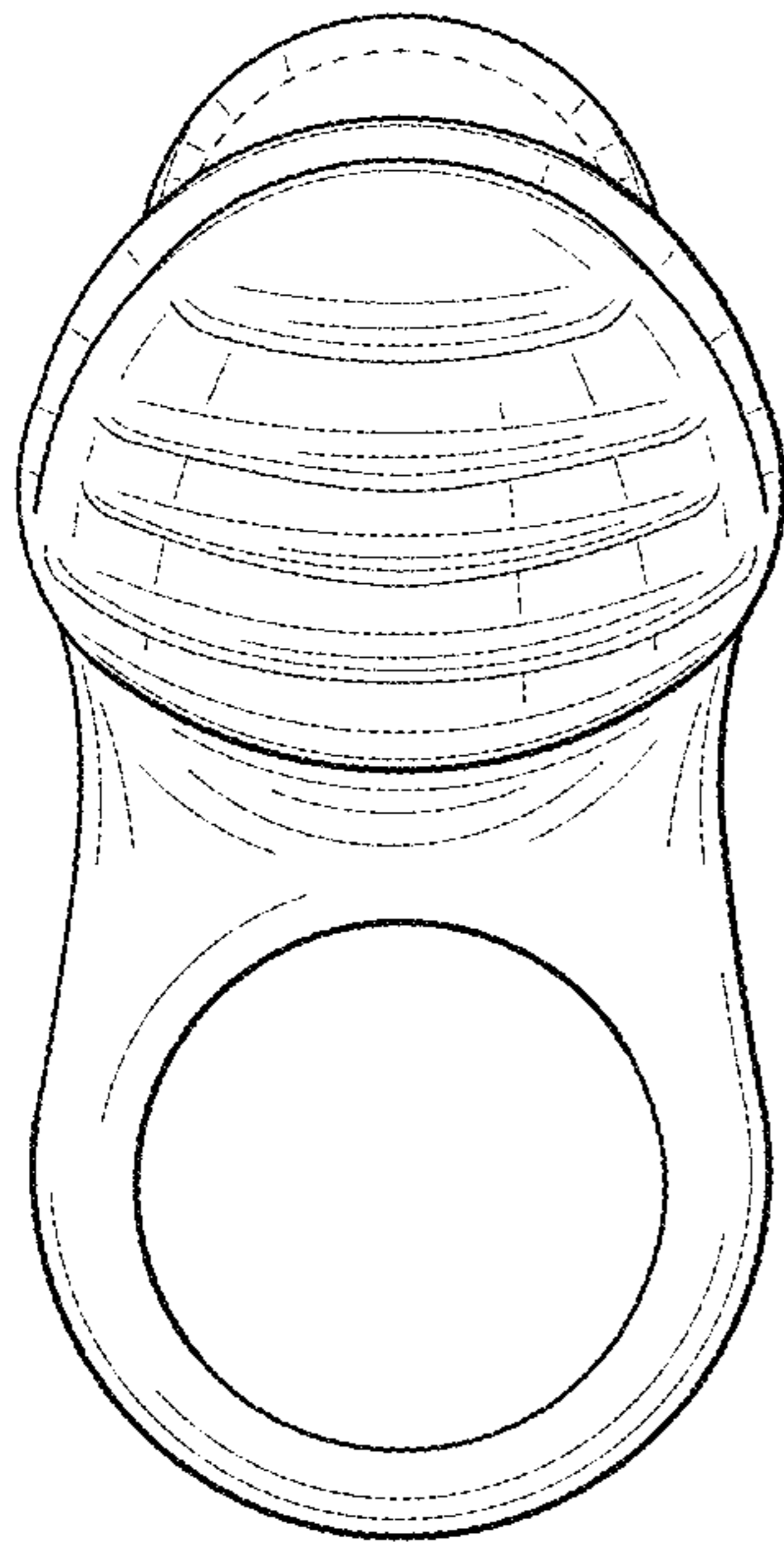


FIG. 6

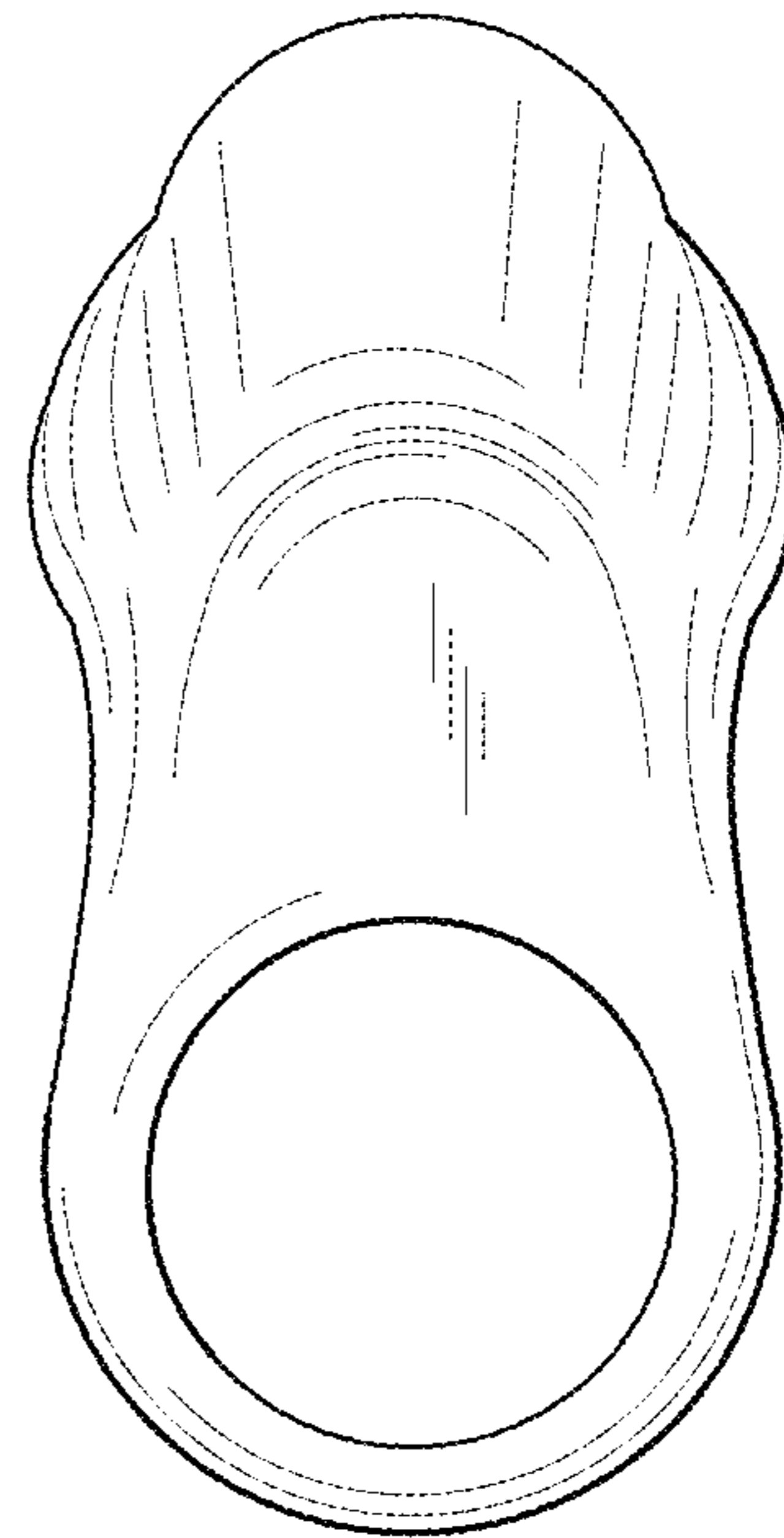


FIG. 7

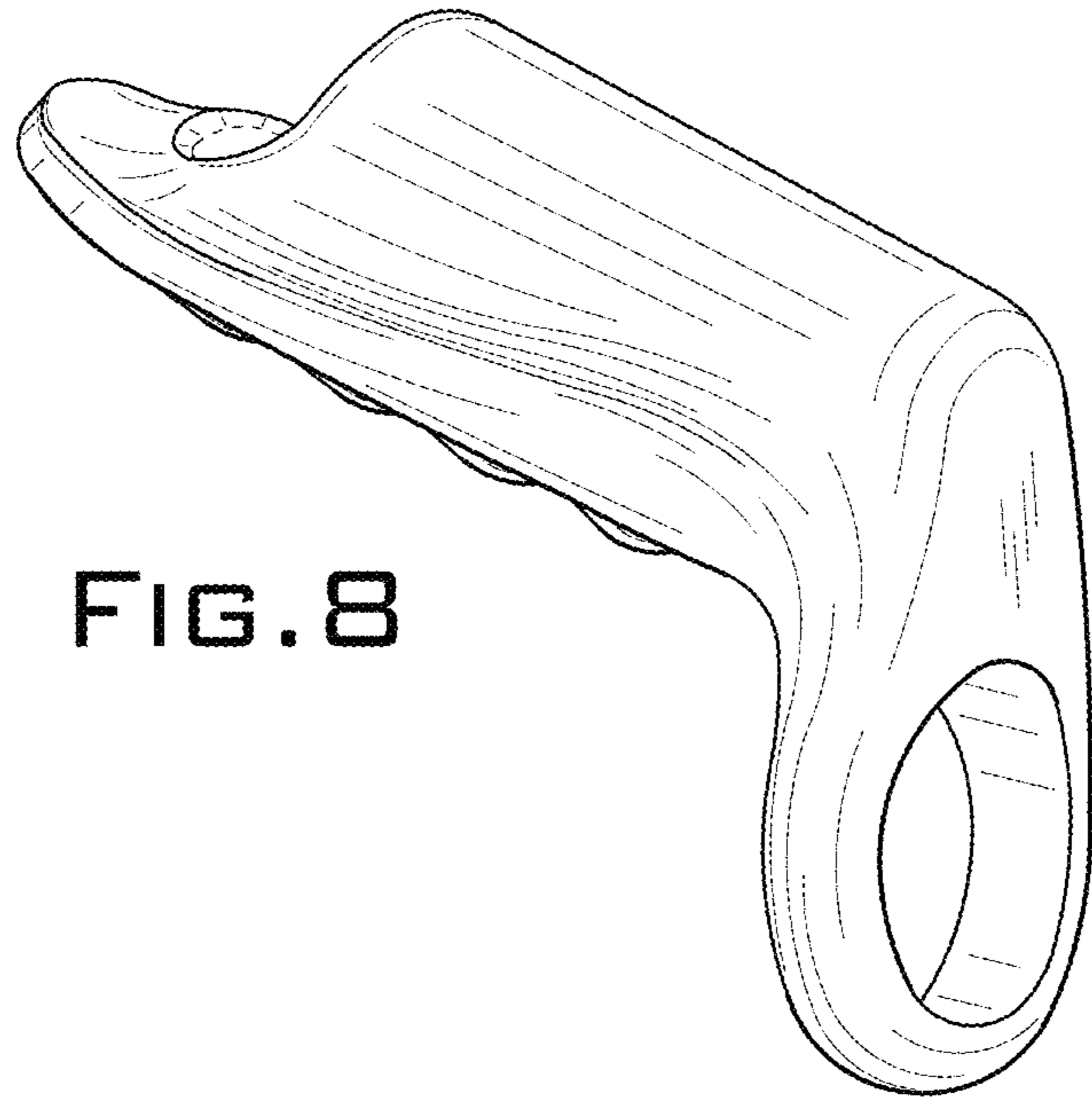


FIG. 8

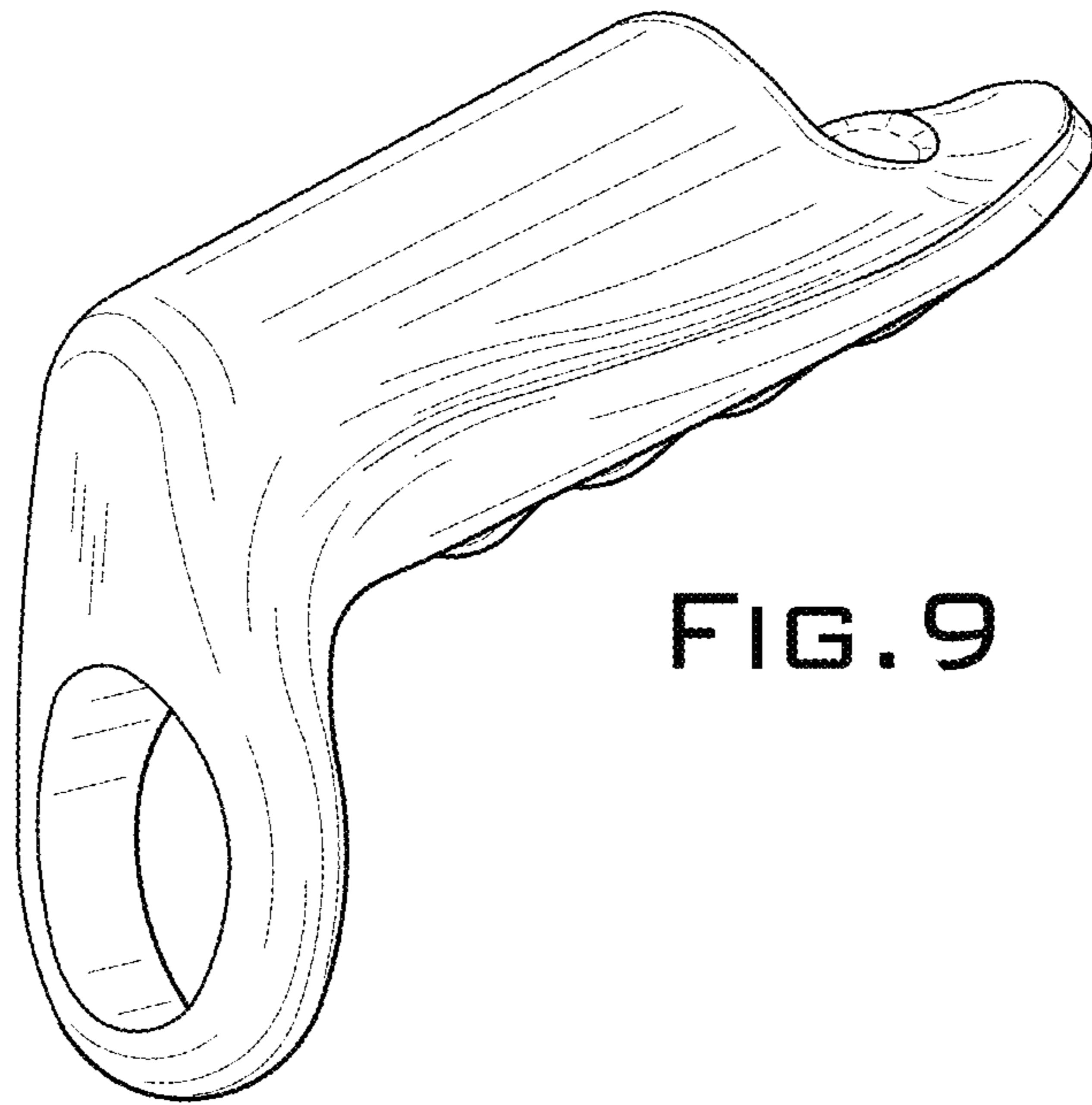


FIG. 9