



US00D927009S

(12) **United States Design Patent**
Feuerstein

(10) **Patent No.:** **US D927,009 S**

(45) **Date of Patent:** **** Aug. 3, 2021**

(54) **TRAINING DEVICE**

D872,868 S * 1/2020 Razumovskyi D24/211
D879,887 S * 3/2020 Loftin, III D21/662

(71) Applicant: **Martin Feuerstein**, Innsbruck (AT)

* cited by examiner

(72) Inventor: **Martin Feuerstein**, Innsbruck (AT)

Primary Examiner — George D. Kirschbaum

Assistant Examiner — Joseph J Kukella

(**) Term: **15 Years**

(57) **CLAIM**

(21) Appl. No.: **35/509,056**

The ornamental design for a training device, as shown and described.

(22) Filed: **Mar. 10, 2020**

DESCRIPTION

(80) **Hague Agreement Data**

Int. Filing Date: **Mar. 10, 2020**

Int. Reg. No.: **DM/206912**

Int. Reg. Date: **Mar. 10, 2020**

Int. Reg. Pub. Date: **Apr. 10, 2020**

2. Training device

Fig. 2.1 is a perspective view of the training device in an extended configuration;

Fig. 2.2 is a perspective view of the training device in a folded configuration;

Fig. 2.3 is a front view of the training device in an extended configuration;

Fig. 2.4 is a front view of the training device in a folded configuration;

Fig. 2.5 is a back view of the training device in an extended configuration;

Fig. 2.6 is a back view of the training device in a folded configuration;

Fig. 2.7 is a left view of the training device in an extended configuration;

Fig. 2.8 is a left view of the training device in a folded configuration;

Fig. 2.9 is a right view of the training device in an extended configuration;

Fig. 2.10 is a right view of the training device in a folded configuration;

Fig. 2.11 is a top view of the training device in an extended configuration;

Fig. 2.12 is a top view of the training device in a folded configuration;

Fig. 2.13 is a bottom view of the training device in an extended configuration;

Fig. 2.14 is a bottom view of the training device in a folded configuration.

(30) **Foreign Application Priority Data**

Sep. 12, 2019 (EM) 6861951

(51) **LOC (13) Cl.** **21-02**

(52) **U.S. Cl.**
USPC **D24/211**

(58) **Field of Classification Search**
USPC D24/200, 211

CPC A61H 15/00; A61H 2015/0007; A61H
2015/0042; A61H 2015/005; A61H
2015/0057

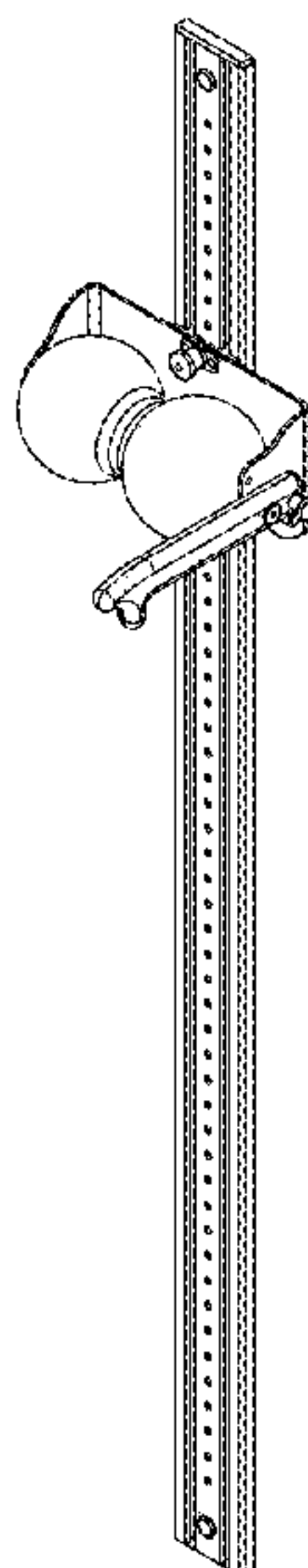
See application file for complete search history.

(56) **References Cited**

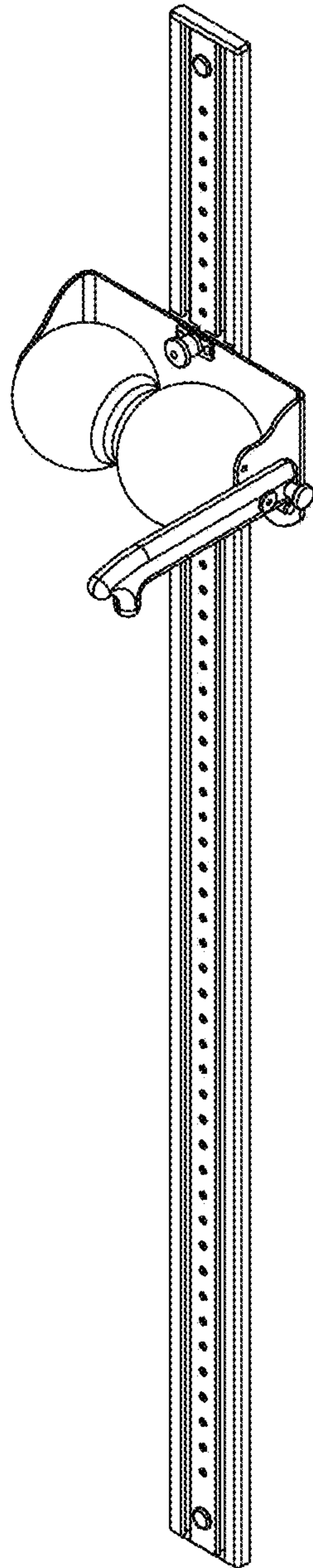
U.S. PATENT DOCUMENTS

D347,477 S * 5/1994 Morales D24/200
D809,151 S * 1/2018 Li D24/215
D825,770 S * 8/2018 Siemer D24/211
D857,129 S * 8/2019 Lim D21/662
D866,786 S * 11/2019 Garner D24/215

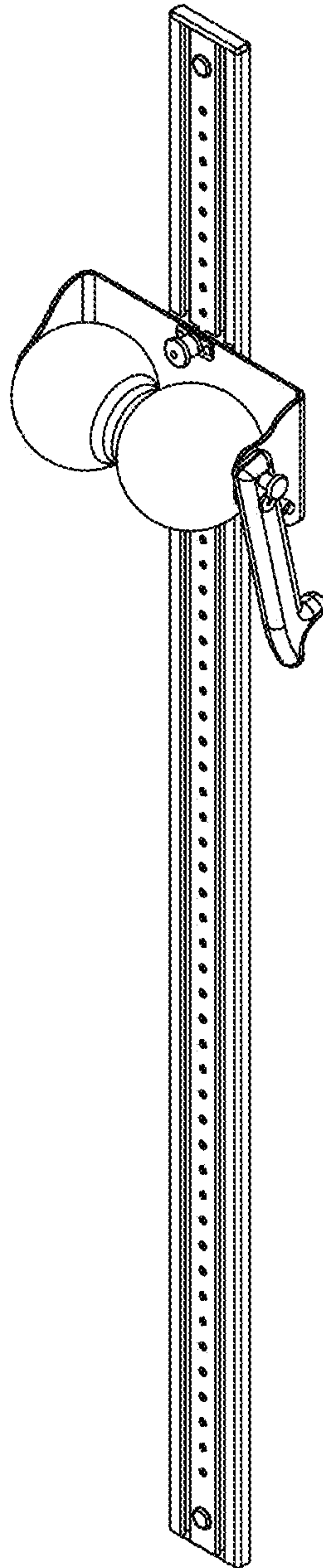
1 Claim, 14 Drawing Sheets



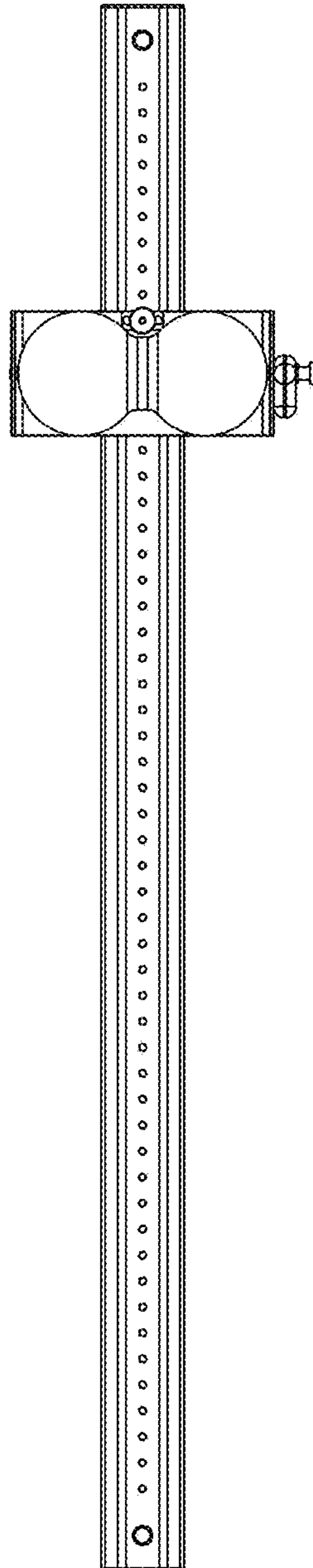
2.1



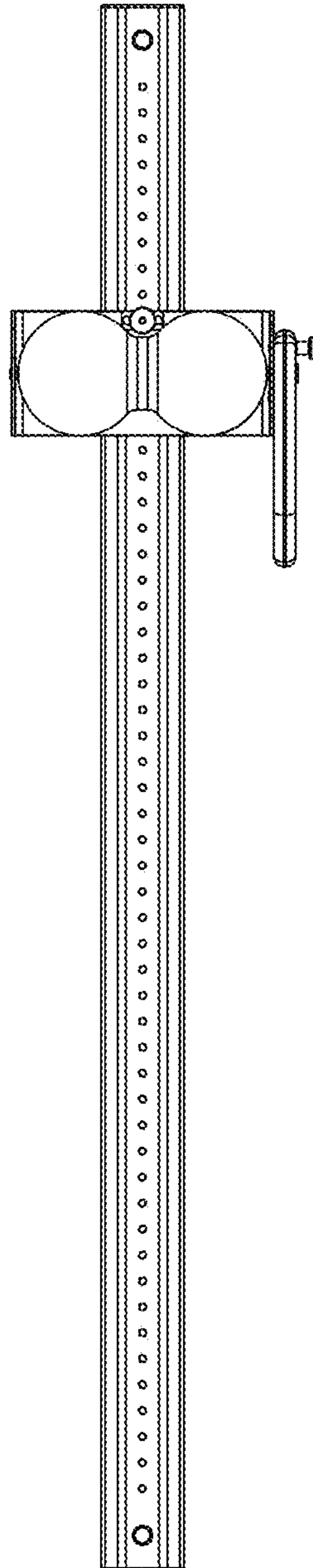
2.2



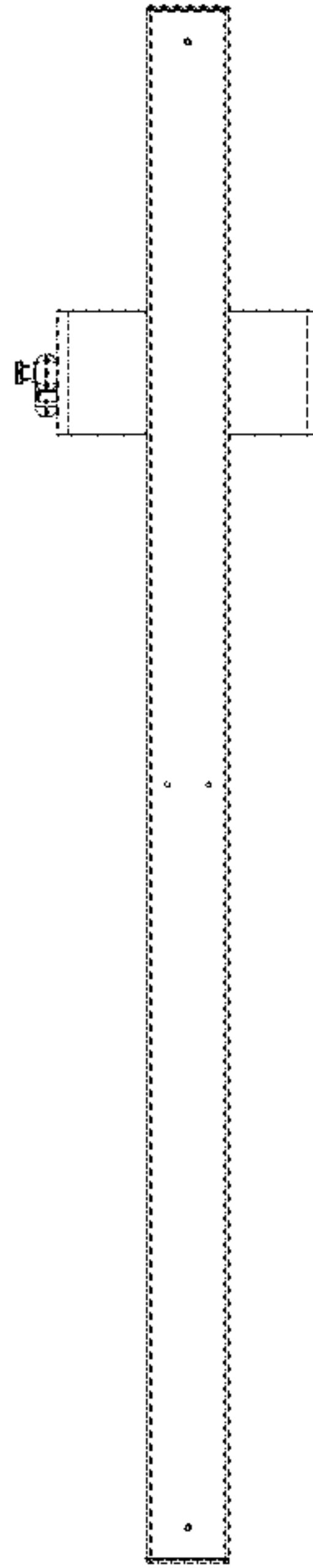
2.3



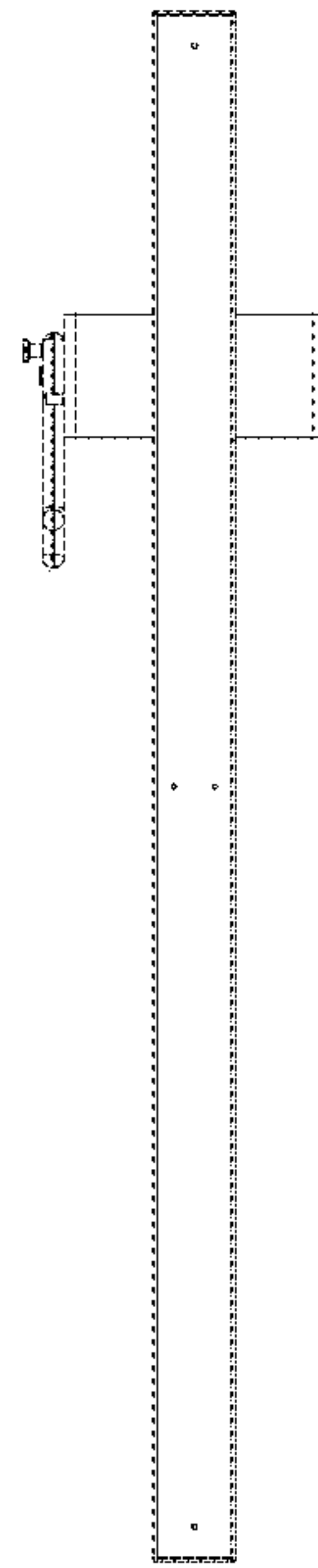
2.4



2.5



2.6



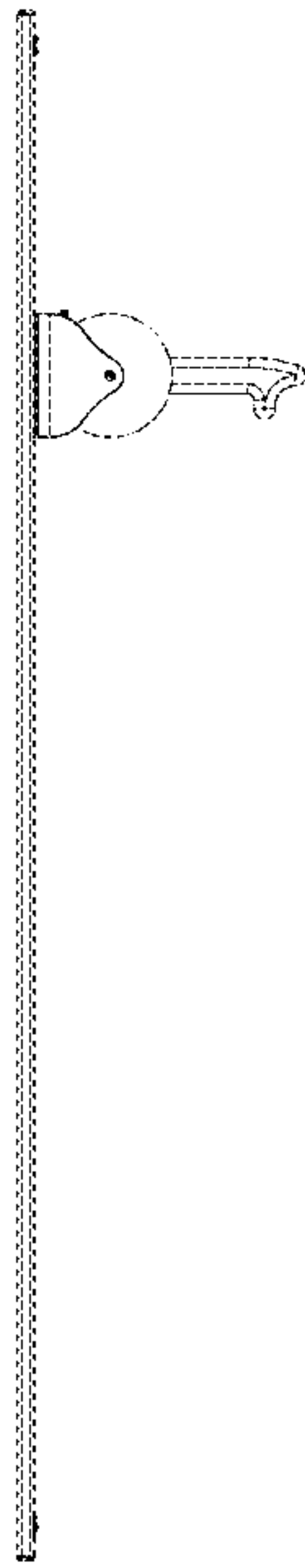
2.7



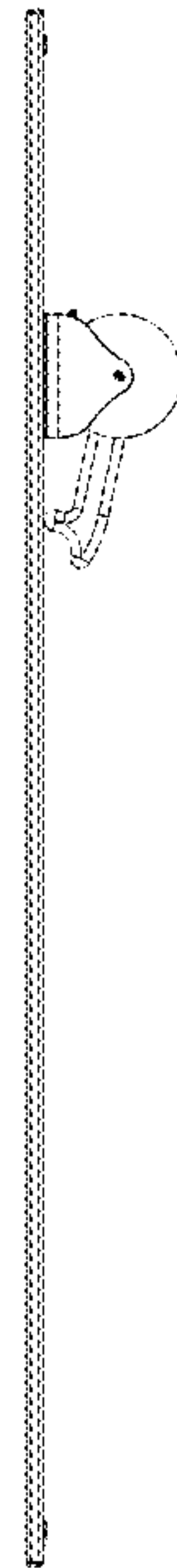
2.8



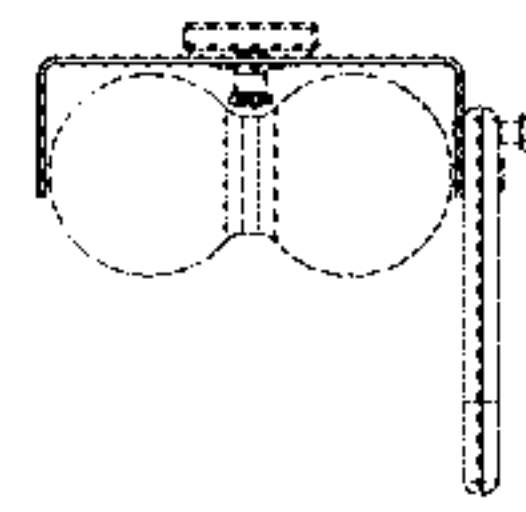
2.9



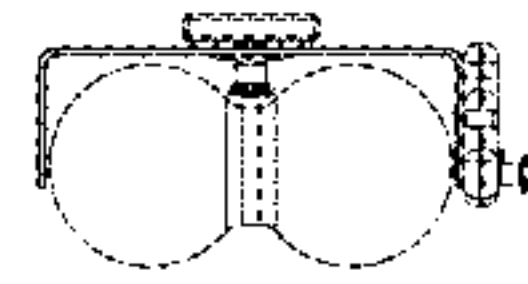
2.10



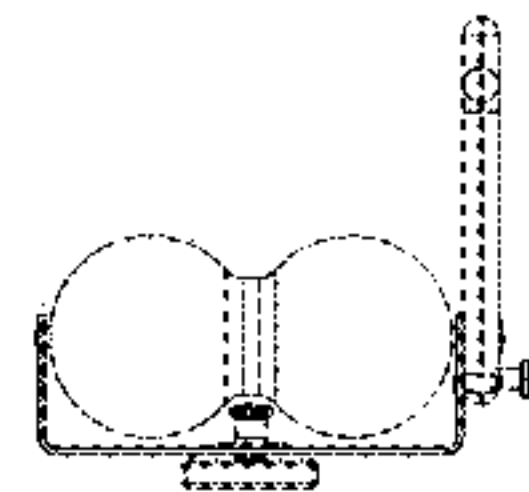
2.11



2.12



2.13



2.14

