



US00D927007S

(12) **United States Design Patent**
Escamilla

(10) **Patent No.:** **US D927,007 S**

(45) **Date of Patent:** **** Aug. 3, 2021**

(54) **KNEE ICE PACK**

(71) Applicant: **VIVE HEALTH LLC**, Naples, FL (US)

(72) Inventor: **Juan Carlos Lopez Escamilla**, Naples, FL (US)

(73) Assignee: **Vive Health LLC**, Naples, FL (US)

(**) Term: **15 Years**

(21) Appl. No.: **29/689,763**

(22) Filed: **May 1, 2019**

(51) **LOC (13) Cl.** **24-04**

(52) **U.S. Cl.**
USPC **D24/207**

(58) **Field of Classification Search**

USPC D24/206–207, 189–192, 200, 125, 127
CPC A61F 7/02; A61F 7/10; A61F 7/103; A61F 2007/0042; A61F 2007/023; A61F 2007/231; A61F 2007/108; A61F 5/0106
See application file for complete search history.

(56) **References Cited**

U.S. PATENT DOCUMENTS

4,042,803	A *	8/1977	Bickford	H05B 3/342
					D24/206
4,628,932	A *	12/1986	Tampa	A61F 7/10
					383/901
4,688,572	A *	8/1987	Hubbard	A61F 7/02
					126/204
D324,270	S *	2/1992	Raya	D24/207
D328,792	S *	8/1992	Salmon	D24/207
D394,707	S *	5/1998	Tsubooka	D24/190
D429,818	S *	8/2000	Lamping	D24/206
D496,108	S *	9/2004	Machin	D24/190
7,959,590	B2 *	6/2011	Scott	A61F 5/0106
					602/23
D654,181	S *	2/2012	Chiang	D24/190
D660,439	S *	5/2012	Chen	D24/190

(Continued)

OTHER PUBLICATIONS

Vive Knee Ice Pack Wrap—Cold/Hot Gel Compression Brace—Heat Support Strap For Arthritis Pain, Tendonitis, ACL, Athletic

Injury, Osteoarthritis, Woman, Men, Running, Meniscus and Patella Surgery. web.https://www.amazon.com/VIVE-Knee-Ice-Brace/dp/B079K6MYKJ. Feb. 2, 2018.*

Primary Examiner — Wan Laymon

(74) *Attorney, Agent, or Firm* — Workman Nydegger

(57) **CLAIM**

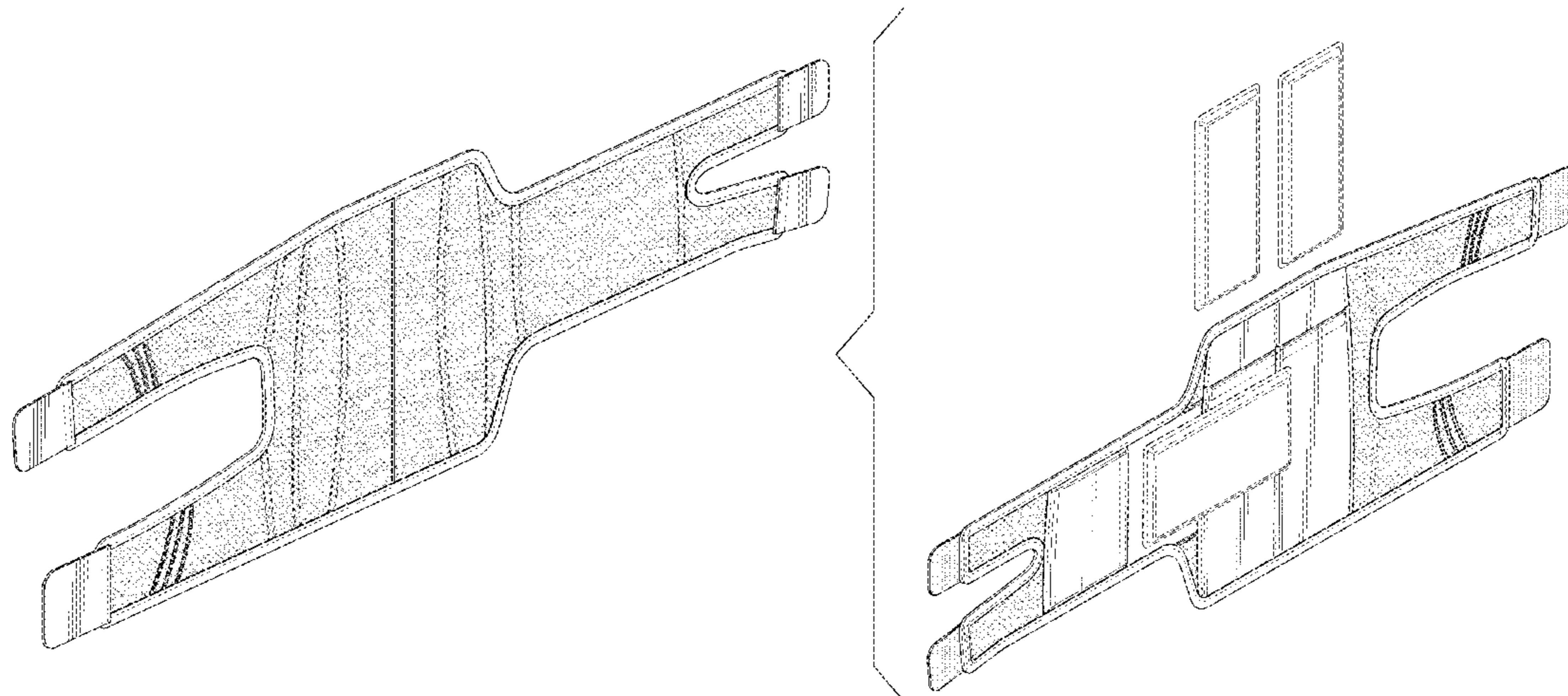
The ornamental design for a knee ice pack, as shown and described.

DESCRIPTION

FIG. 1 is a front perspective view of a knee ice pack showing the new design;
FIG. 2 is a back perspective view of a knee ice pack showing the new design;
FIG. 3 is a reduced front view thereof;
FIG. 4 is a reduced back view thereof;
FIG. 5 is a top view thereof;
FIG. 6 is a bottom view thereof;
FIG. 7 is a reduced right elevation view thereof;
FIG. 8 is a reduced left elevation view thereof;
FIG. 9 is a reduced exploded back perspective view showing exemplary ice packs exterior to the knee ice pack;
FIG. 10 is a back perspective view showing exemplary ice packs partially slid into the respective ice pack holders of the knee ice pack; and,
FIG. 11 is a back perspective view showing exemplary ice packs fully slid into the respective ice pack holders of the knee ice packet.

The dot-dot-dot and dash broken lines in the drawings are for the purpose of illustrating environment and portions of the article that form no part of the claimed design.

1 Claim, 9 Drawing Sheets



(56)

References Cited

U.S. PATENT DOCUMENTS

D662,213 S *	6/2012	Quisenberry	D24/206
2010/0152823 A1 *	6/2010	Muchowicz	A61F 7/10
			607/112

* cited by examiner

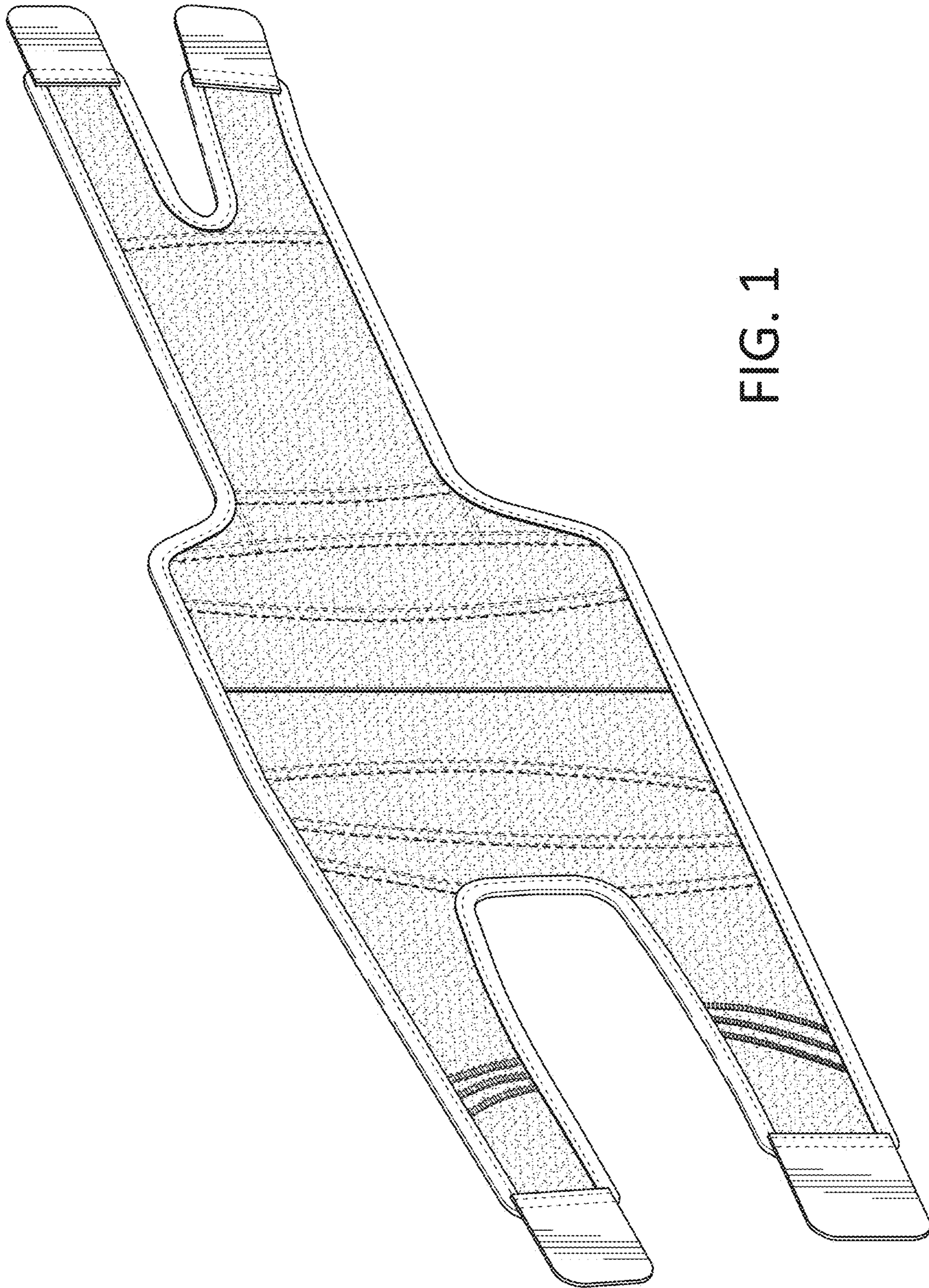


FIG. 1

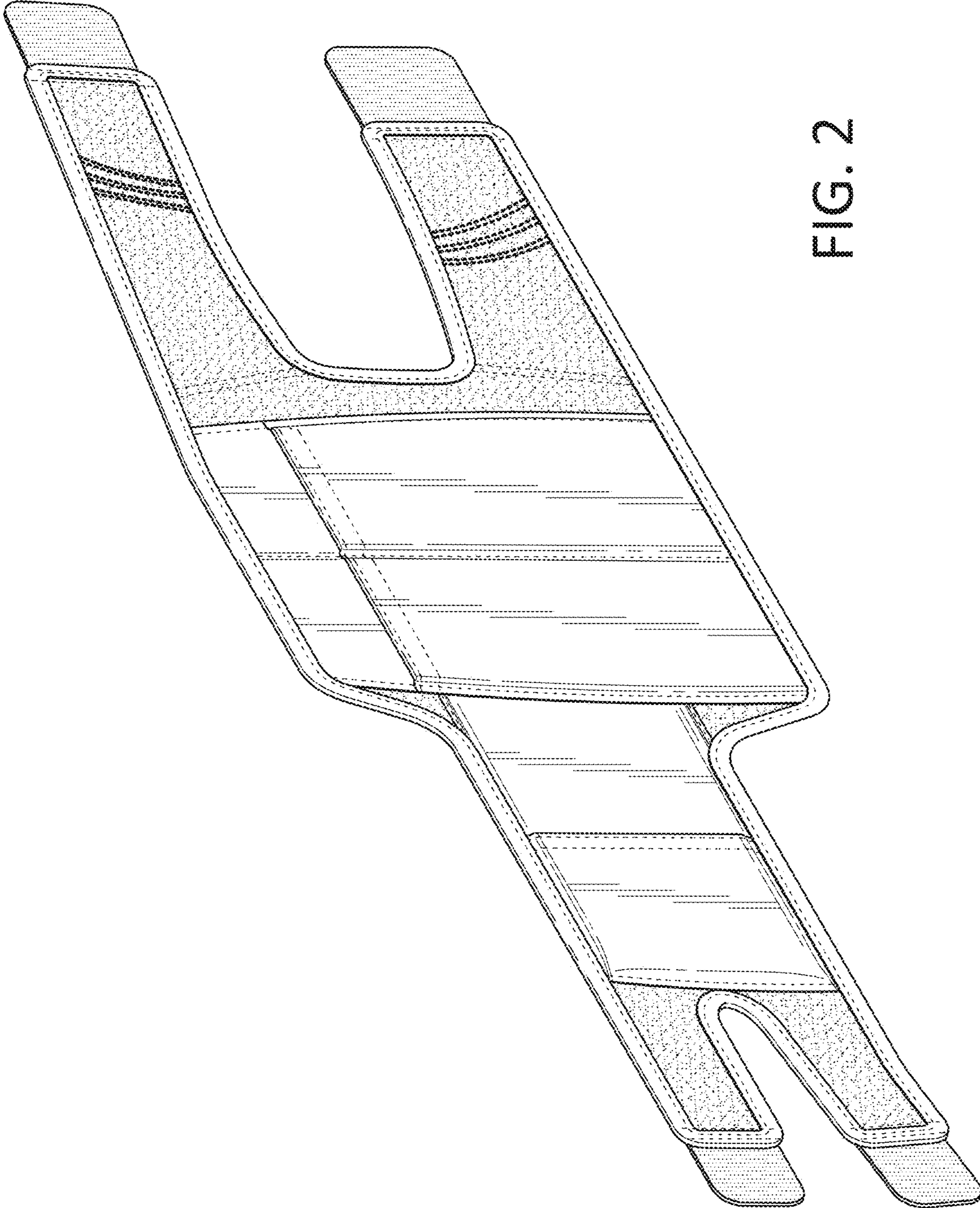


FIG. 2

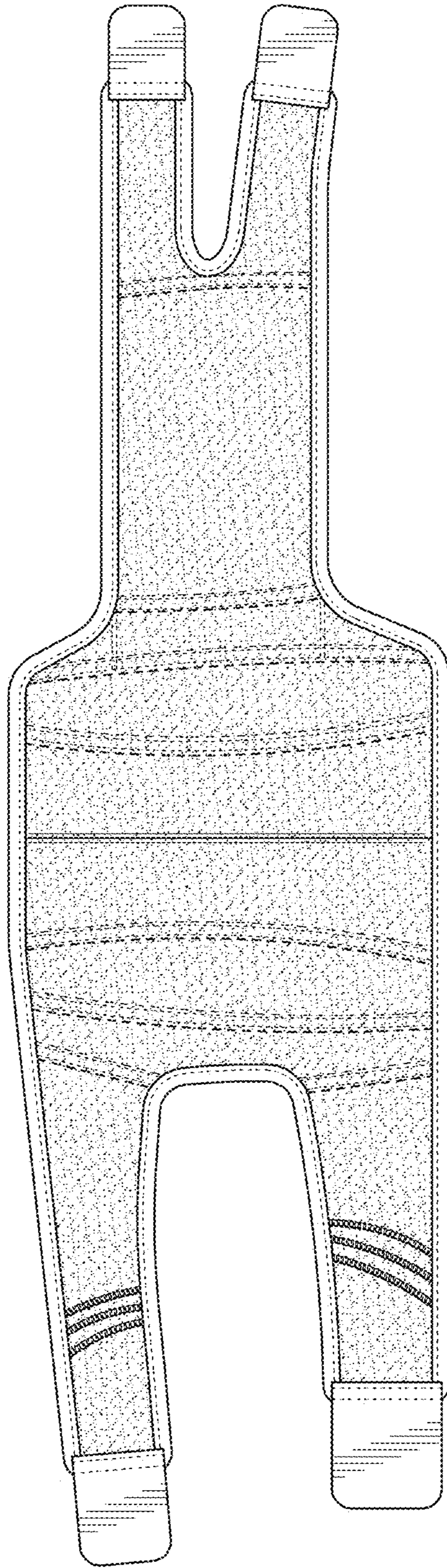


FIG. 3

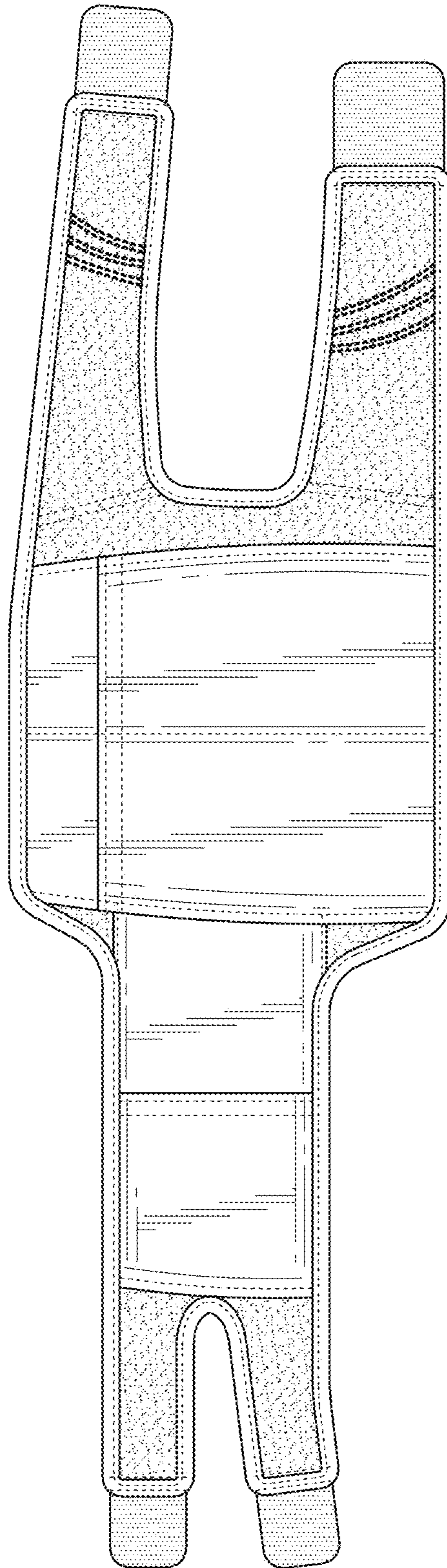


FIG. 4

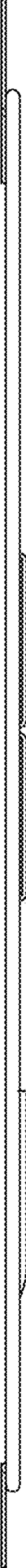


FIG. 5



FIG. 6



FIG. 7

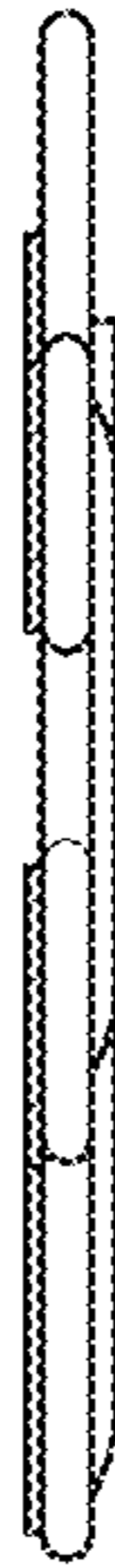


FIG. 8

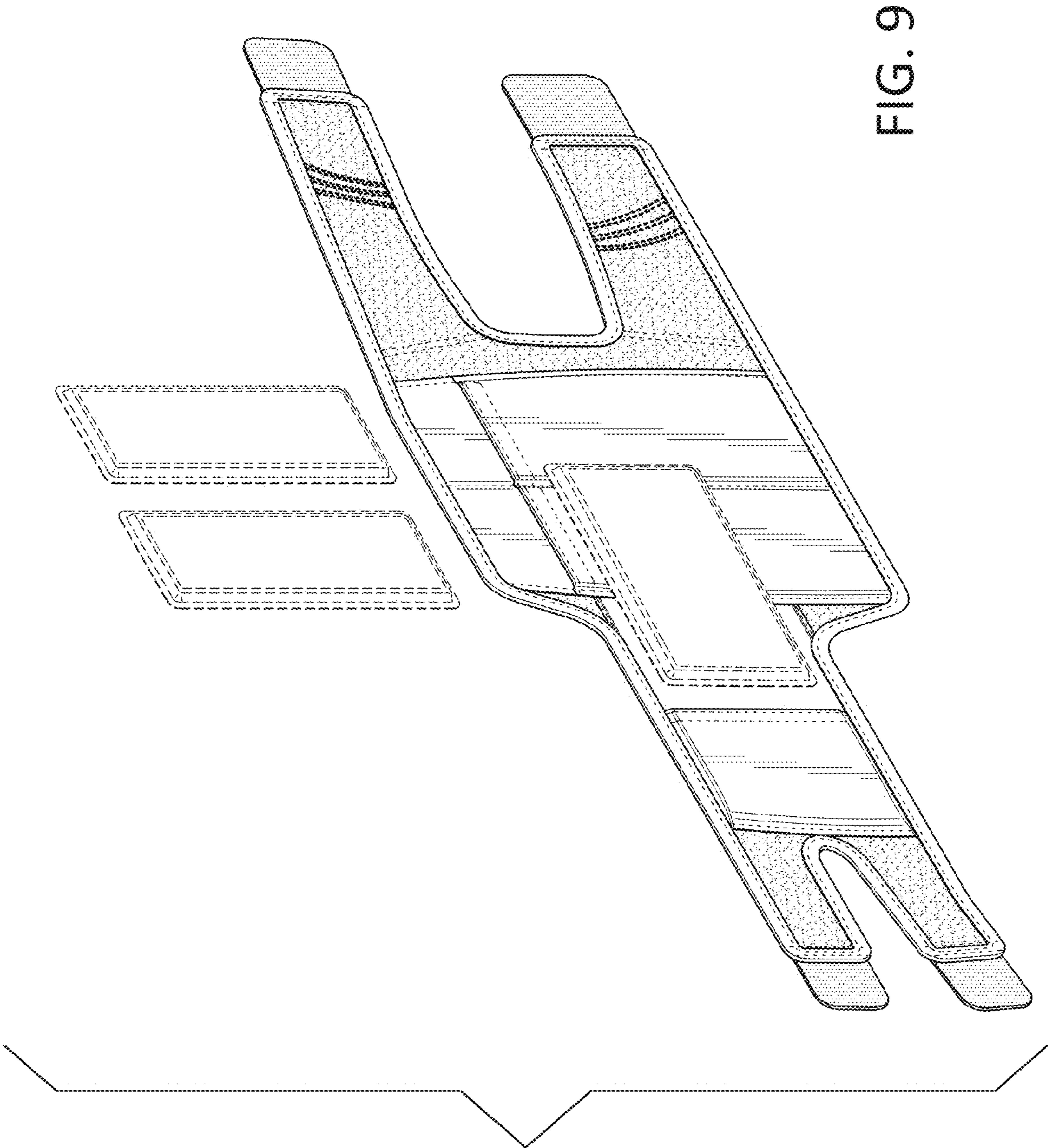


FIG. 9

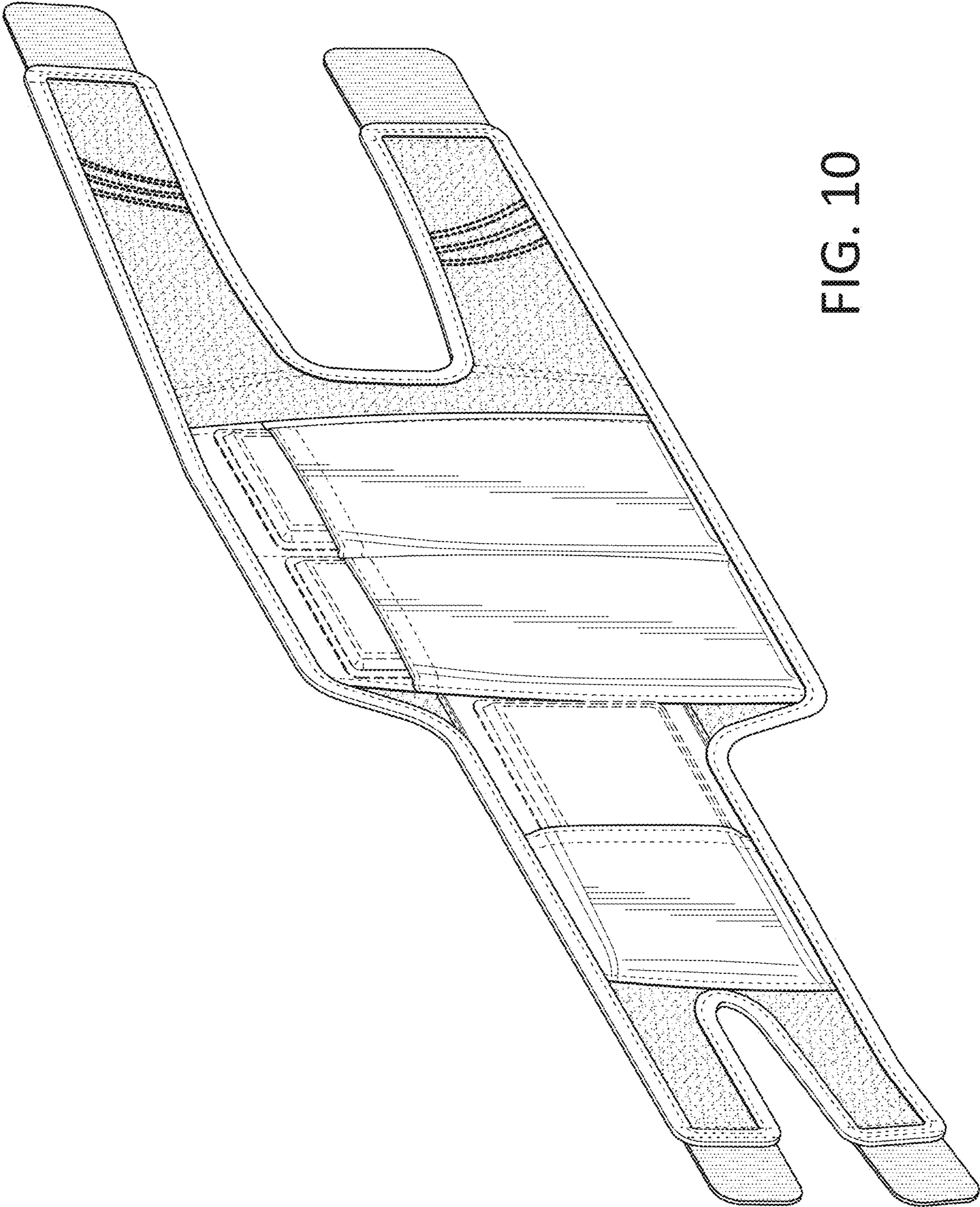


FIG. 10

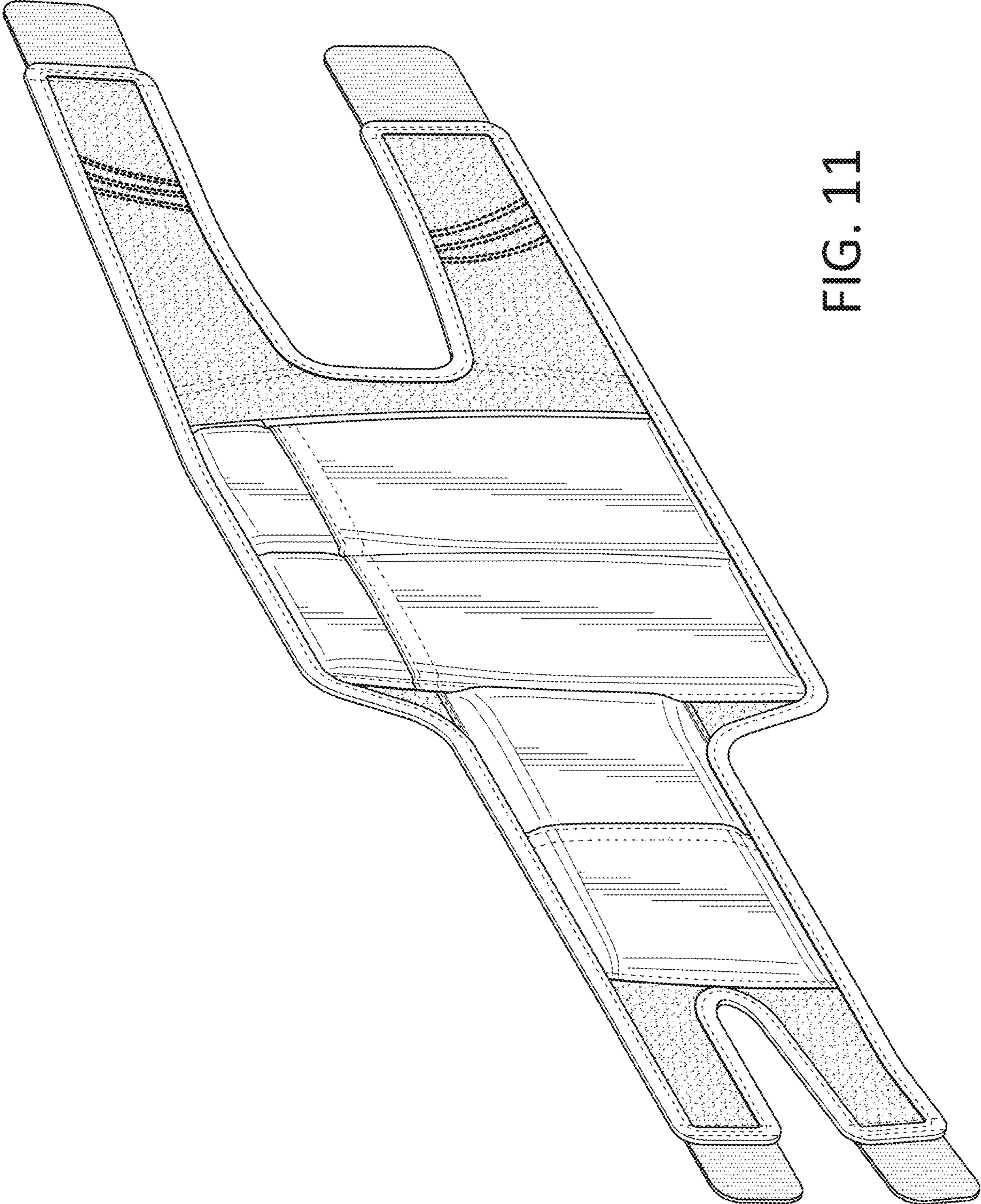


FIG. 11