



US00D927005S

(12) **United States Design Patent**
Hauser-Raspe et al.

(10) **Patent No.:** **US D927,005 S**
(45) **Date of Patent:** **** Aug. 3, 2021**

(54) **NON-INVASIVE NEUROSTIMULATION DEVICE**

DESCRIPTION

- (71) Applicant: **Helius Medical, Inc**, Newtown, PA (US)
- (72) Inventors: **Sybille Diana Hauser-Raspe**, London (GB); **Pamela Dorothy Heidt**, Cambridge (GB); **Paul James Fearis**, Holly Springs, NC (US); **Mike Andrew Vilhauer**, Cambridge (GB)
- (73) Assignee: **Helius Medical, Inc**, Newtown, PA (US)
- (**) Term: **15 Years**
- (21) Appl. No.: **29/681,993**
- (22) Filed: **Feb. 28, 2019**
- (51) **LOC (13) Cl.** **24-02**
- (52) **U.S. Cl.**
USPC **D24/200**
- (58) **Field of Classification Search**
USPC D24/191, 200, 201, 206, 207, 208, D24/211-215, 111, 165, 185, 186, 182,
(Continued)

(56) **References Cited**

U.S. PATENT DOCUMENTS

- D326,525 S * 5/1992 Shimizu D24/200
 - D417,005 S * 11/1999 Jijon D24/200
- (Continued)

Primary Examiner — T Chase Nelson
Assistant Examiner — Kelly L Gross
 (74) *Attorney, Agent, or Firm* — Proskauer Rose LLP

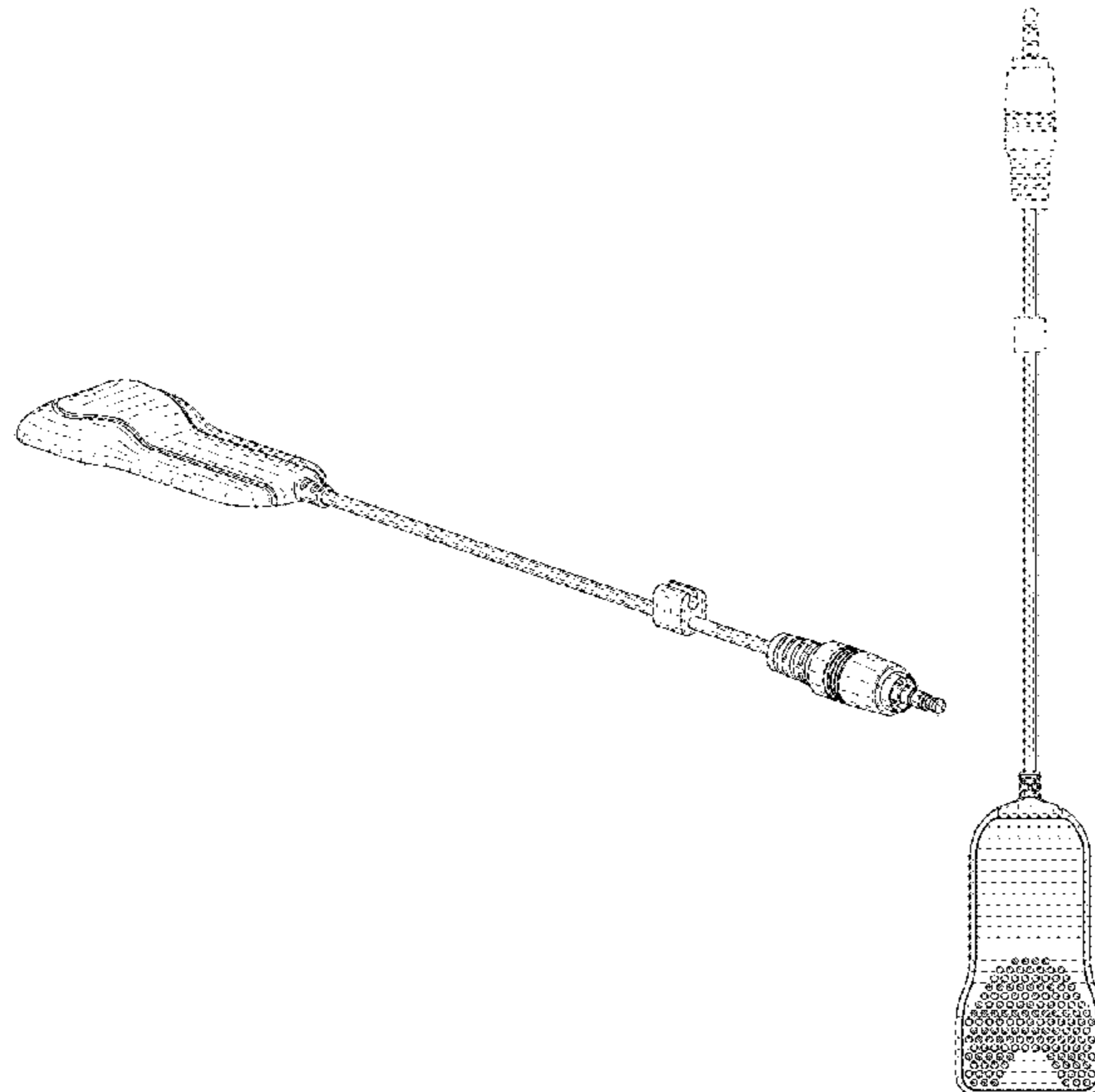
(57) **CLAIM**

The ornamental design for a non-invasive neurostimulation device, as shown and described.

FIG. 1 is a front perspective view of a non-invasive neurostimulation device, showing our new design;
 FIG. 2 is a right side view thereof;
 FIG. 3 is a left side view thereof;
 FIG. 4 is a top view thereof;
 FIG. 5 is bottom view thereof;
 FIG. 6 is a rear view thereof;
 FIG. 7 is a front view thereof;
 FIG. 8 is a front perspective view of a second embodiment of a non-invasive neurostimulation device, showing our new design;
 FIG. 9 is a right side view thereof;
 FIG. 10 is a left side view thereof;
 FIG. 11 is a top view thereof;
 FIG. 12 is bottom view thereof;
 FIG. 13 is a rear view thereof;
 FIG. 14 is a front view thereof;
 FIG. 15 is a front perspective view of a third embodiment of a non-invasive neurostimulation device, showing our new design;
 FIG. 16 is a right side view thereof;
 FIG. 17 is a left side view thereof;
 FIG. 18 is a top view thereof;
 FIG. 19 is bottom view thereof;
 FIG. 20 is a rear view thereof;
 FIG. 21 is a front view thereof;
 FIG. 22 is a front perspective view of a fourth embodiment of a non-invasive neurostimulation device, showing our new design;
 FIG. 23 is a right side view thereof;
 FIG. 24 is a left side view thereof;
 FIG. 25 is a top view thereof;
 FIG. 26 is bottom view thereof;
 FIG. 27 is a rear view thereof; and,
 FIG. 28 is a front view thereof.

The broken lines shown in the drawings represent unclaimed portions of the non-invasive neurostimulation device and form no part of the claimed design.

1 Claim, 8 Drawing Sheets



(58) **Field of Classification Search**

USPC D24/183, 184, 187, 188, 189, 190, 192;
 D23/314, 332, 333, 351; D3/327;
 D29/121.1, 101.2, 101.5, 120.1; D10/75,
 D10/78; D14/205, 206, 223; D2/875
 CPC A61F 7/00; A61F 7/02; A61F 7/03; A61F
 7/007; A61F 7/034; A61F 2013/00187;
 A61F 2013/00204; A61F 2013/00906;
 A61F 2007/0225; A61F 2007/0071; A61F
 2007/0072; A61F 2007/0087; A61F
 2007/0088; A61F 2007/0089; A61F 7/08;
 A61F 7/086; A61F 7/10; A61F 7/103;
 A61F 2007/0001; A61F 2007/0002; A61F
 2007/003; A61F 2007/0219; A61F
 2007/022; A61F 2007/023; A61F
 2007/0231; A61F 2007/108; A61F 7/106;
 A61F 2007/0011; A61F 2007/0249; A61F
 2007/0098; A61F 9/08; A61N 1/403;
 A61N 5/06; A61N 2005/006; A61N
 2005/0659; A61N 2005/0644; A61N 1/36;
 A61N 1/36003; A61N 1/36014; A61N
 1/0404; A61N 1/0456; A61N 1/36021;
 A61N 5/0613; A61N 5/0616; A61N
 1/0548; A61N 1/36025; A61N 1/0476;
 A61B 5/6814

See application file for complete search history.

(56) **References Cited**

U.S. PATENT DOCUMENTS

D504,177 S * 4/2005 Erfan D14/205
 D529,901 S * 10/2006 Ohta D14/223
 D578,222 S * 10/2008 Sakurai D24/187
 D585,557 S * 1/2009 Sakurai D24/187
 D598,552 S * 8/2009 Potts D24/187
 D598,553 S * 8/2009 Potts D24/187
 D599,910 S * 9/2009 Potts D24/187
 D678,856 S * 3/2013 Feng D14/205
 D678,858 S * 3/2013 Feng D14/205
 D736,178 S * 8/2015 Tsou D14/206
 D745,490 S * 12/2015 Zheng D14/205

D747,462 S * 1/2016 Elish D24/110.5
 D749,746 S * 2/2016 Guarraia D24/200
 D750,264 S * 2/2016 Guarraia D24/200
 D750,265 S * 2/2016 Guarraia D24/200
 D750,794 S * 3/2016 Guarraia D24/200
 D751,213 S * 3/2016 Guarraia D24/200
 D751,214 S * 3/2016 Guarraia D24/200
 D751,722 S * 3/2016 Guarraia D24/200
 D752,236 S * 3/2016 Guarraia D24/200
 D752,766 S * 3/2016 Guarraia D24/200
 D753,315 S * 4/2016 Guarraia D24/200
 D753,316 S * 4/2016 Guarraia D24/200
 D766,210 S * 9/2016 Graylin D14/206
 D776,286 S * 1/2017 Min D24/187
 D817,504 S * 5/2018 Float D24/191
 D830,997 S * 10/2018 Park D14/205
 D831,217 S * 10/2018 Geissen D24/168
 D835,286 S * 12/2018 Sebban D24/187
 D844,159 S * 3/2019 McKeown D24/200
 D853,569 S * 7/2019 Seki D24/186
 D886,304 S * 6/2020 Galkina D24/187
 D891,947 S * 8/2020 Song D10/52
 D892,064 S * 8/2020 Tang D13/168
 D892,308 S * 8/2020 Archat D24/111
 D892,309 S * 8/2020 Archat D24/111
 D892,764 S * 8/2020 Thomas D14/206
 D894,154 S * 8/2020 Bryant D14/206
 D895,625 S * 9/2020 Turksu D14/433
 D896,968 S * 9/2020 Yu D24/174
 D900,325 S * 10/2020 Emery D24/187
 D900,789 S * 11/2020 Chen D14/218
 D901,020 S * 11/2020 Emery D24/187
 D902,177 S * 11/2020 Zhang D14/206
 D905,055 S * 12/2020 Shao D14/372
 D905,260 S * 12/2020 Shenfarber D24/209
 D905,335 S * 12/2020 Kling D28/44.1
 D906,257 S * 12/2020 Cai D13/153
 10,860,097 B2 * 12/2020 Chae G06F 3/017
 D907,206 S * 1/2021 Ganty A61N 1/36135
 D24/155
 D907,216 S * 1/2021 Rehbein G06F 3/017
 D24/189
 D907,221 S * 1/2021 Hauser-Raspe D24/200
 10,881,864 B2 * 1/2021 Andersen A61N 1/36125
 2020/0376276 A1 * 12/2020 Mercanzini A61N 1/36135

* cited by examiner

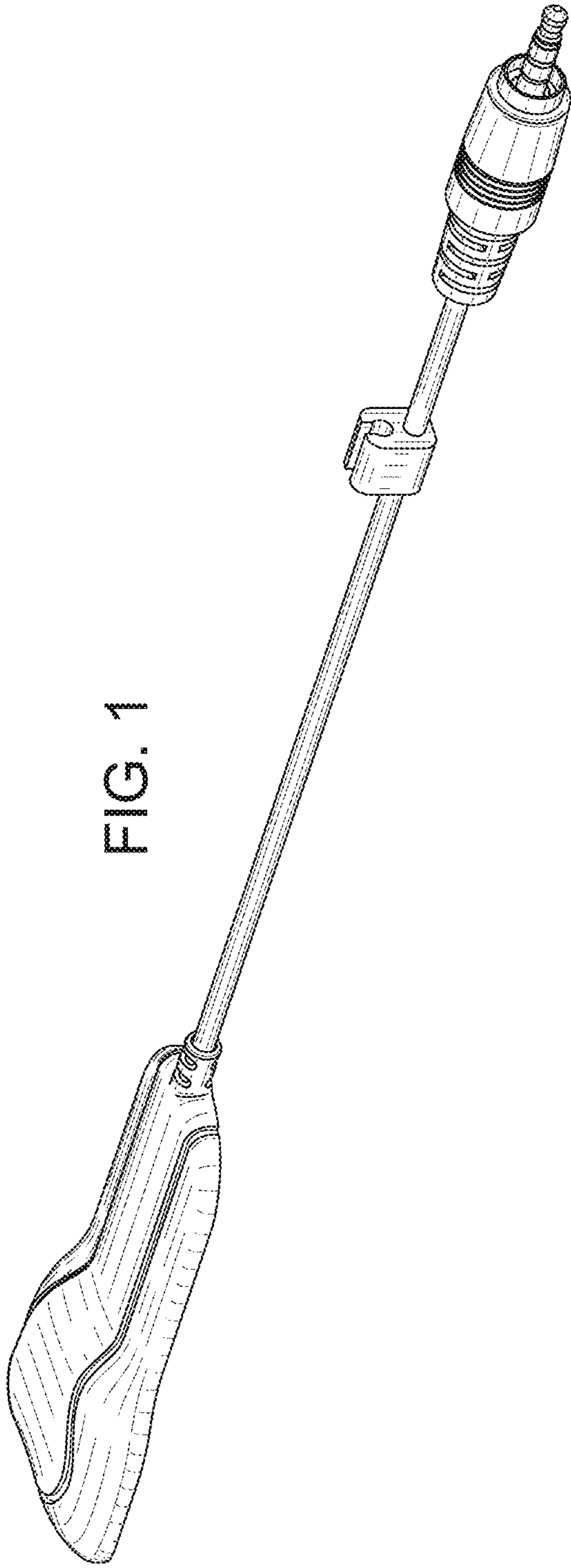


FIG. 1

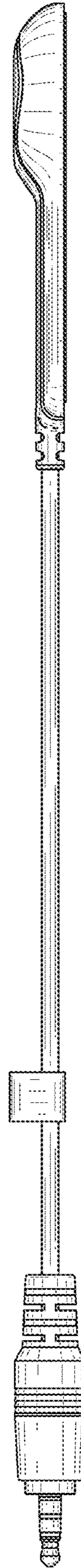


FIG. 2

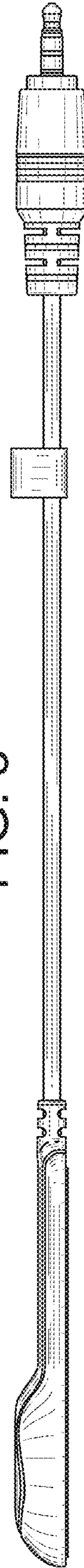


FIG. 3

FIG. 4

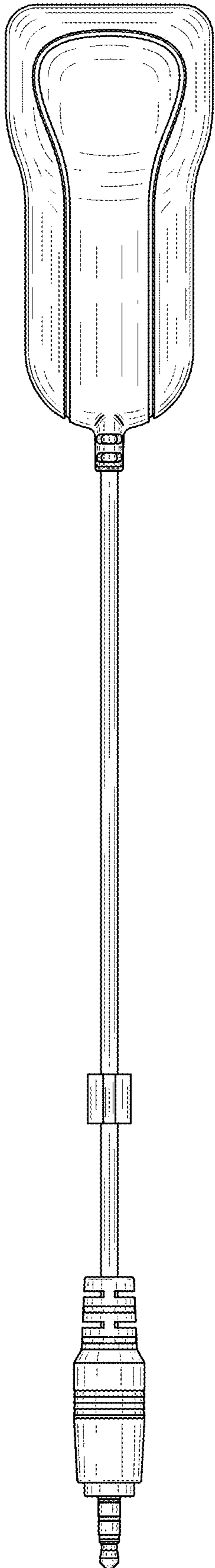


FIG. 5

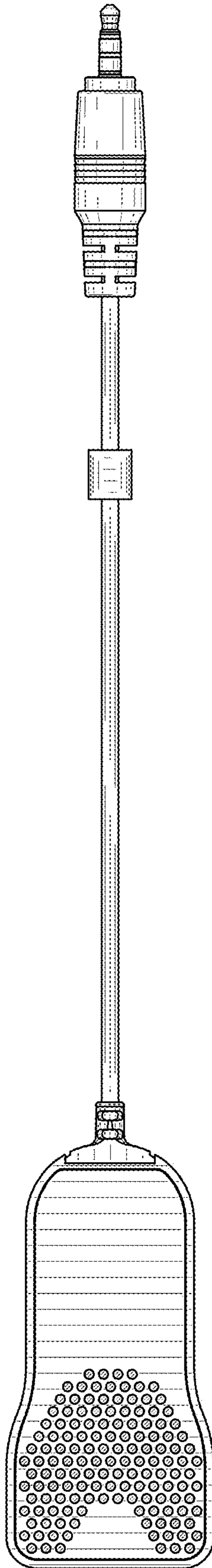


FIG. 6

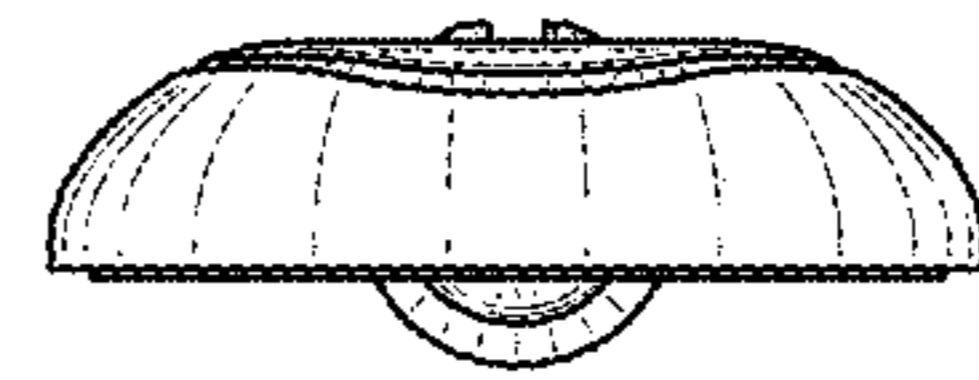
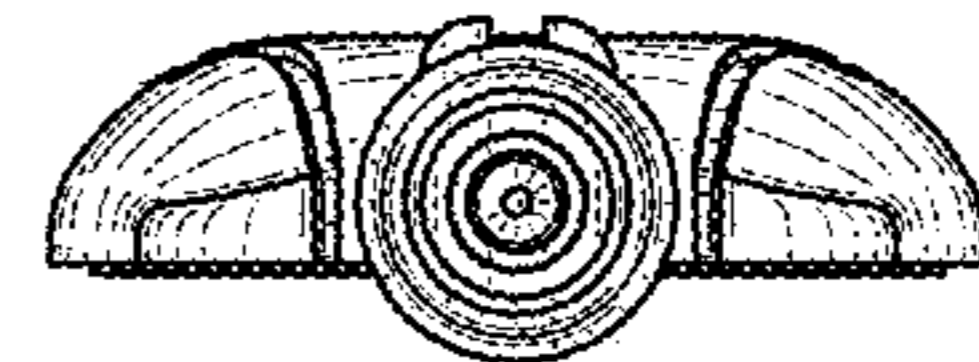


FIG. 7



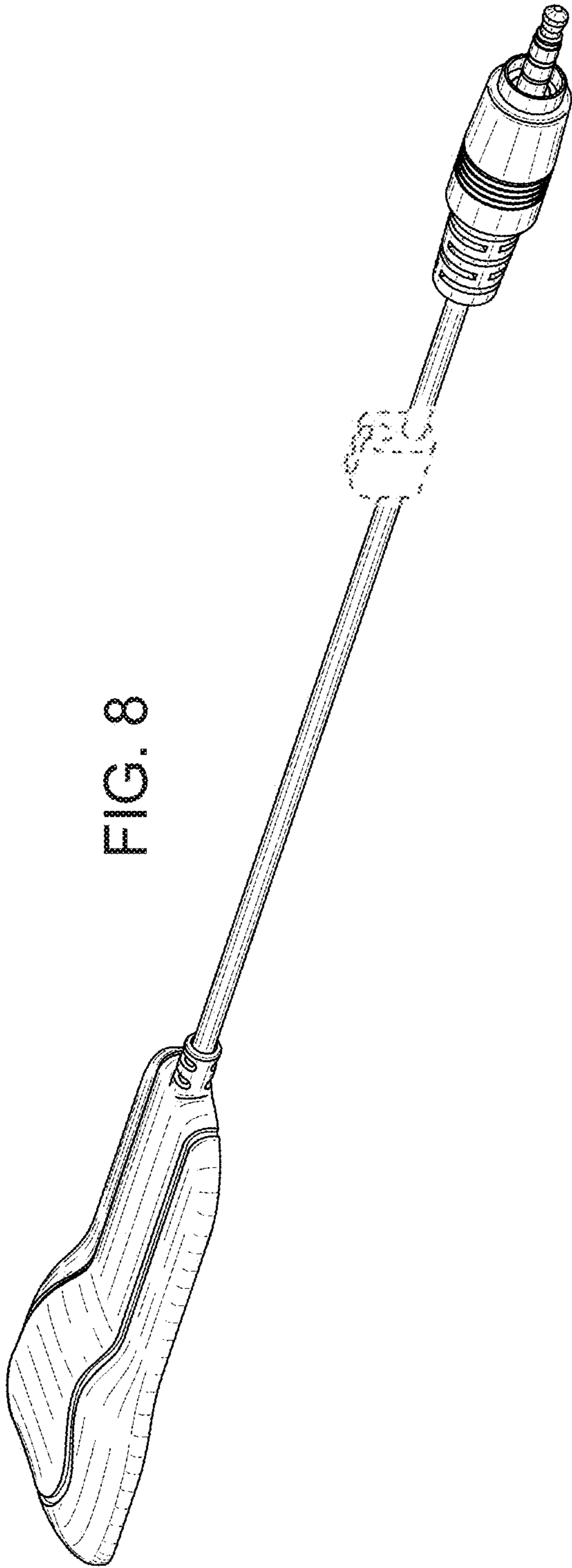


FIG. 8

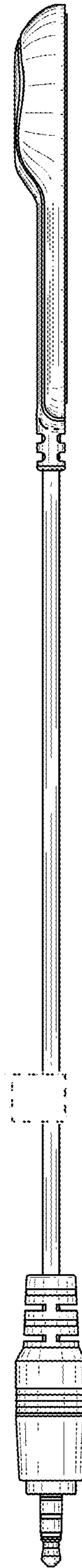


FIG. 9

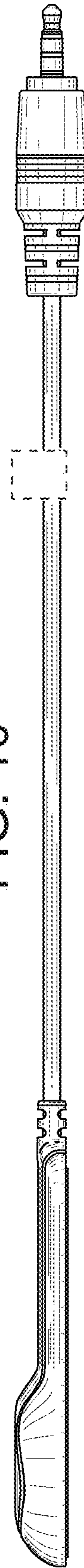


FIG. 10

FIG. 11

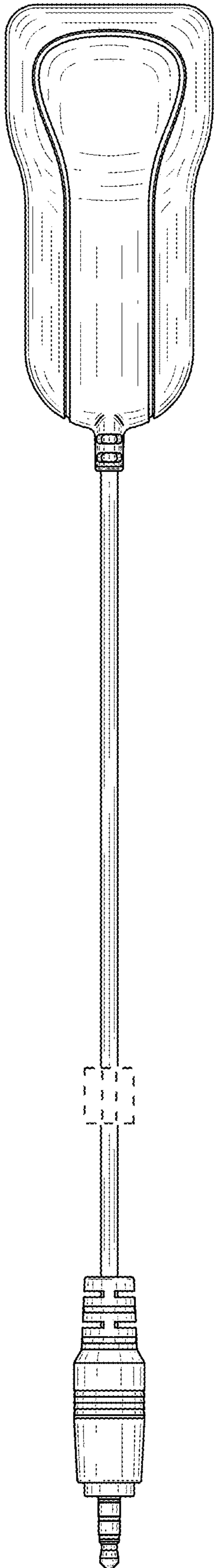


FIG. 12

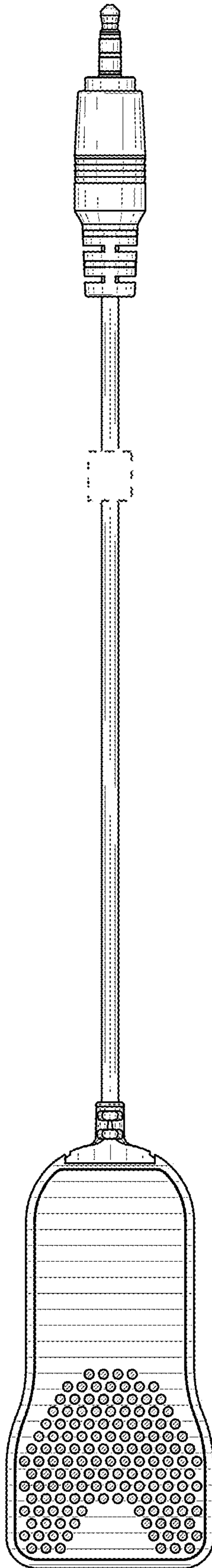


FIG. 13

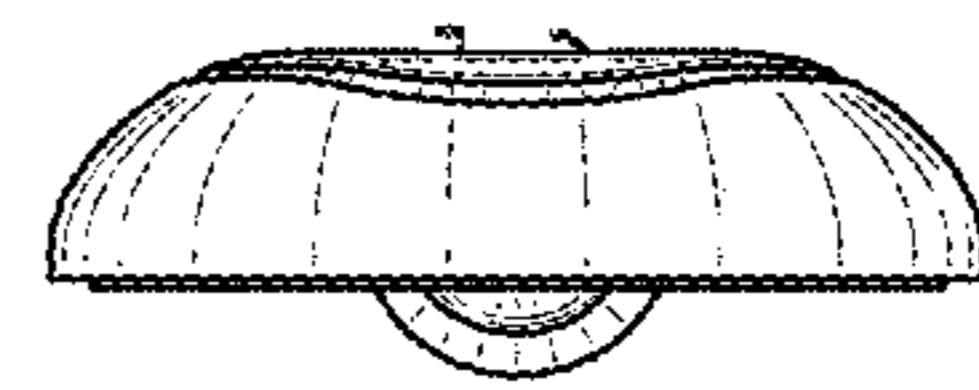


FIG. 14

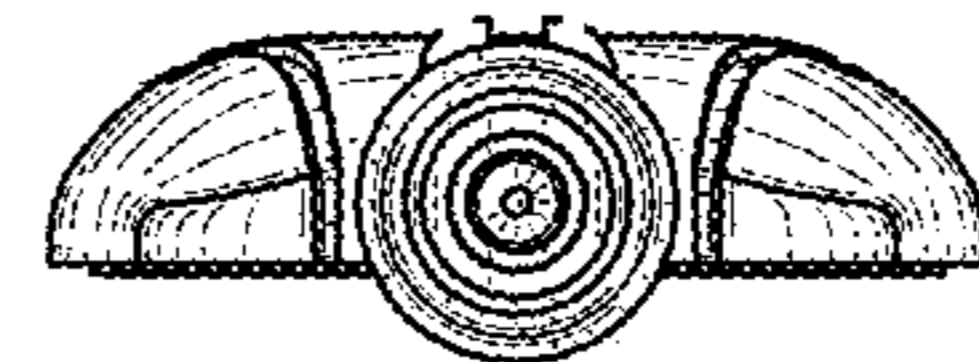


FIG. 15

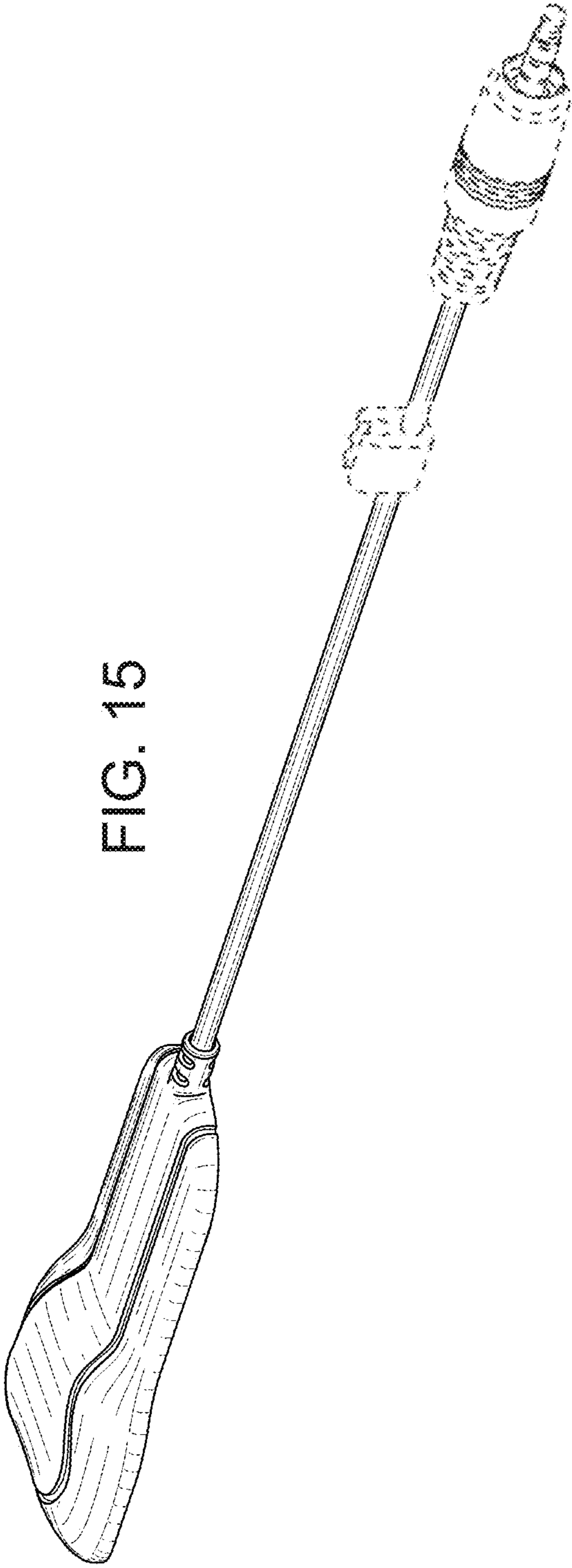


FIG. 16

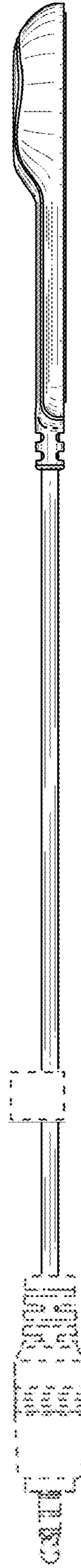


FIG. 17



FIG. 18

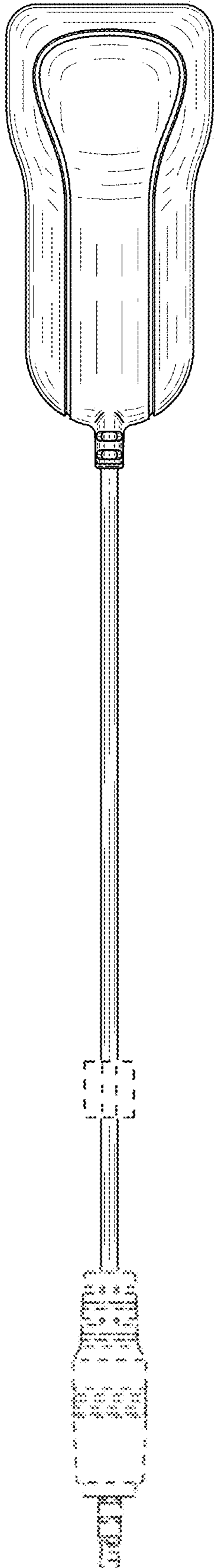


FIG. 19

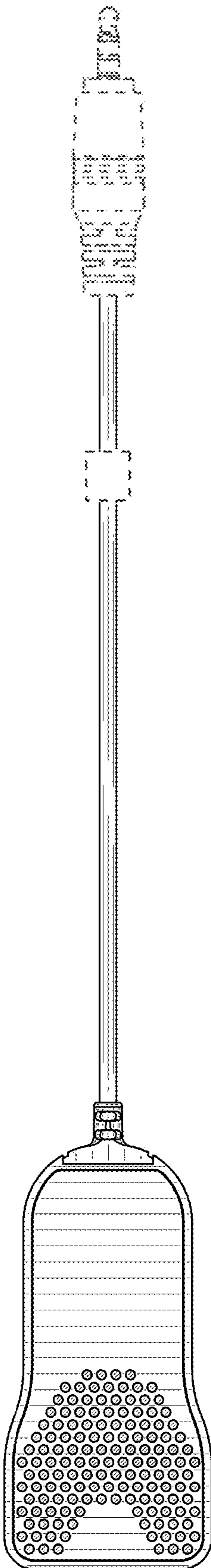


FIG. 20

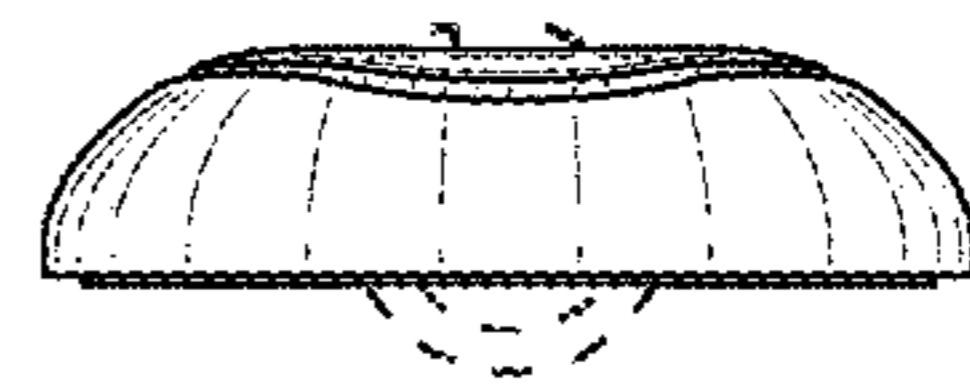


FIG. 21



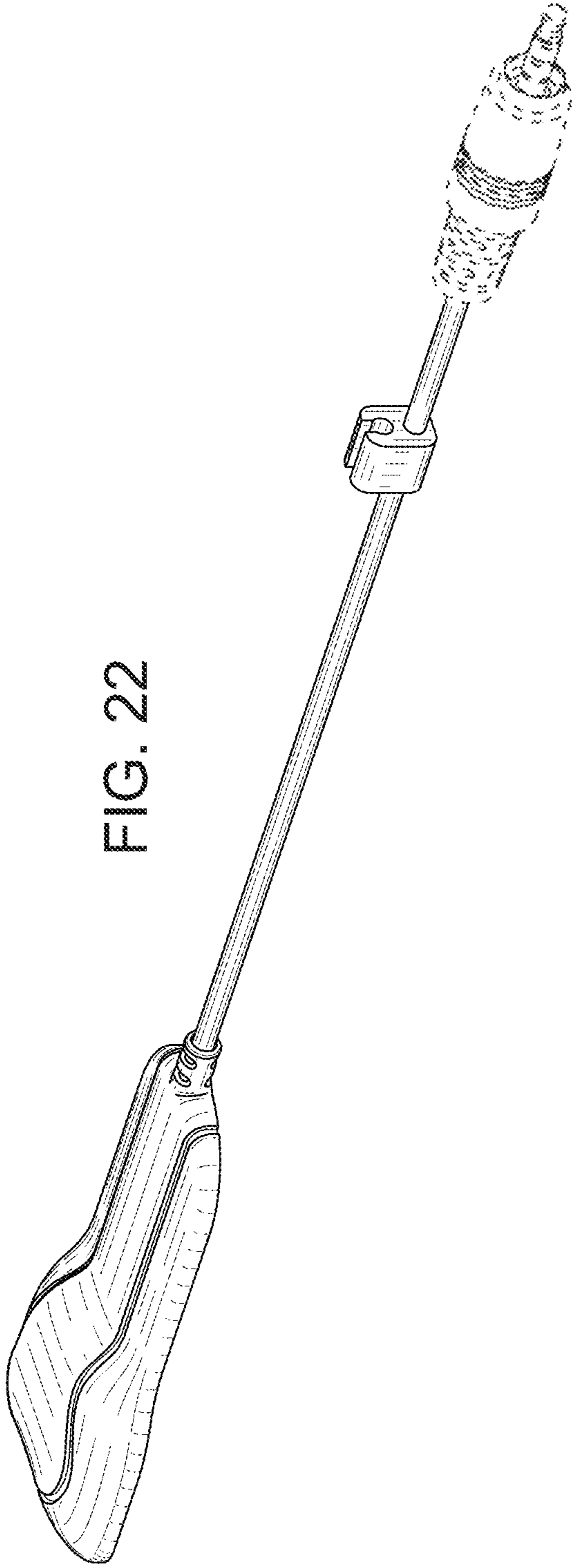


FIG. 22

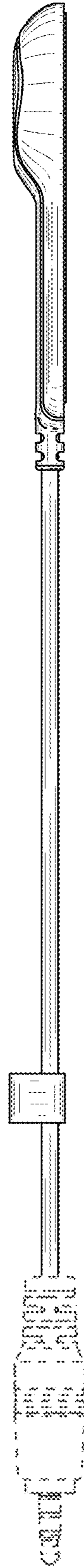


FIG. 23

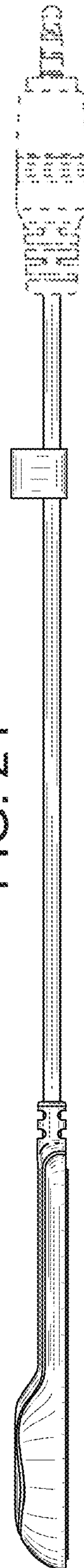


FIG. 24

FIG. 25

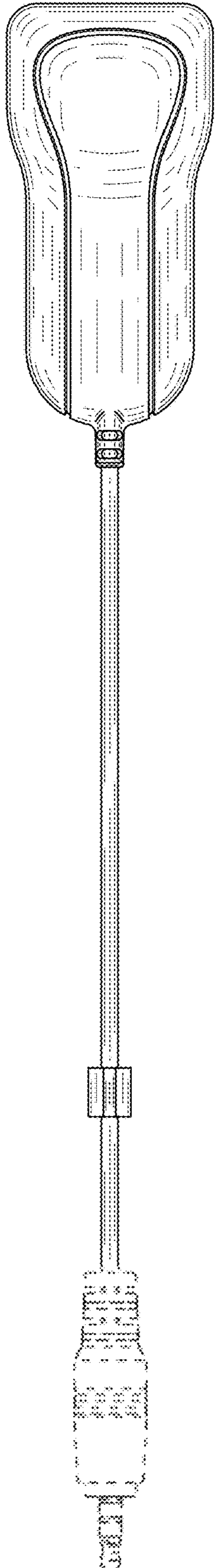


FIG. 26

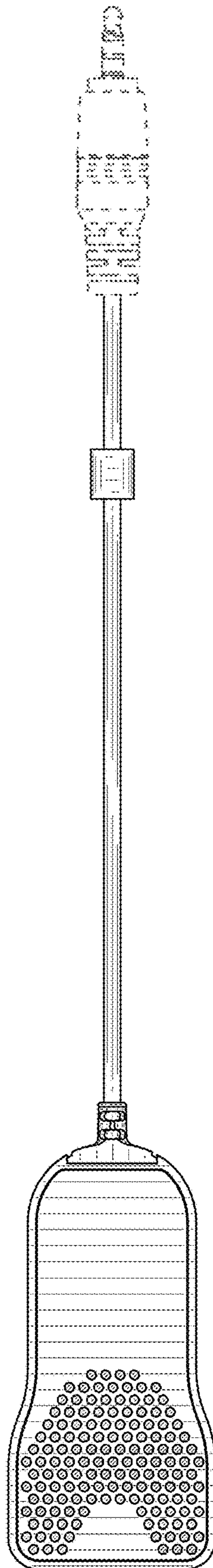


FIG. 27

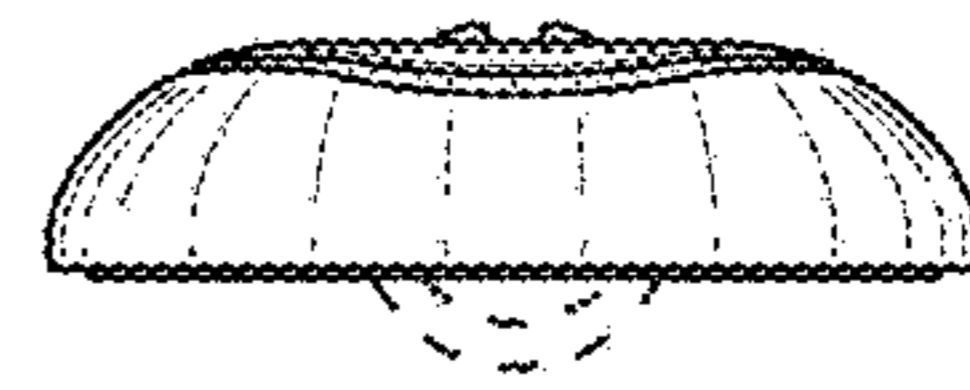


FIG. 28

