



US00D927003S

(12) **United States Design Patent** (10) **Patent No.:** **US D927,003 S**
Kersen et al. (45) **Date of Patent:** **** Aug. 3, 2021**

(54) **TOE LOOP FOR PROVIDING PAIN RELIEF FOR A PERSON'S TOE**

(71) Applicants: **Lawrence Kersen**, Boonton, NJ (US); **Marty Vogel**, Flushing, NY (US)

(72) Inventors: **Lawrence Kersen**, Boonton, NJ (US); **Marty Vogel**, Flushing, NY (US)

(73) Assignee: **Poly-Gel L.L.C.**, Whippany, NJ (US)

(**) Term: **15 Years**

(21) Appl. No.: **29/697,967**

(22) Filed: **Jul. 12, 2019**

(51) **LOC (13) Cl.** **24-01**

(52) **U.S. Cl.**
USPC **D24/192**

(58) **Field of Classification Search**
USPC D24/188–192, 200, 206, 214, 215
CPC A61F 13/00021; A61F 13/0203; A61F 13/066

See application file for complete search history.

(56) **References Cited**

U.S. PATENT DOCUMENTS

| | | | | | |
|-----------|-----|---------|----------------|-------|-------------------|
| 2,268,777 | A * | 1/1942 | Scholl | | A61F 13/02128/894 |
| D531,790 | S * | 11/2006 | Wurzburg | | D2/961 |
| D570,488 | S * | 6/2008 | Kirksey | | D24/189 |
| D664,755 | S * | 8/2012 | Gavrieli | | D2/962 |
| D696,819 | S * | 12/2013 | Huthmaker | | D28/57 |
| D717,452 | S * | 11/2014 | Boggs | | D24/189 |
| D763,454 | S * | 8/2016 | Rust Huthmaker | | D24/192 |
| D767,771 | S * | 9/2016 | Moon | | D24/188 |
| D775,352 | S * | 12/2016 | Mills | | D24/171 |
| D787,078 | S * | 5/2017 | Daniels | | D24/192 |
| D813,464 | S * | 3/2018 | Echeverri | | D29/121.1 |
| D838,374 | S * | 1/2019 | Bannwart | | D24/189 |
| D841,172 | S * | 2/2019 | Bannwart | | D24/189 |

| | | | | | |
|--------------|------|---------|--------|-------|-------------------|
| D886,308 | S * | 6/2020 | Kersen | | D24/192 |
| D892,342 | S * | 8/2020 | Cook | | D24/189 |
| 2008/0023017 | A1 * | 1/2008 | Cotton | | A45D 29/22132/73 |
| 2011/0284018 | A1 * | 11/2011 | Dragos | | A45D 29/22132/73 |
| 2012/0152267 | A1 * | 6/2012 | Chang | | A43B 3/106132/200 |

OTHER PUBLICATIONS

Best Advisors. Best Bunion Correctors in the UK. Nov. 26, 2020. <https://www.bestadvisers.co.uk/bunion-correctors> (Year: 2020).*

(Continued)

Primary Examiner — Darcey E Gottschalk

(74) *Attorney, Agent, or Firm* — Edwin D. Schindler

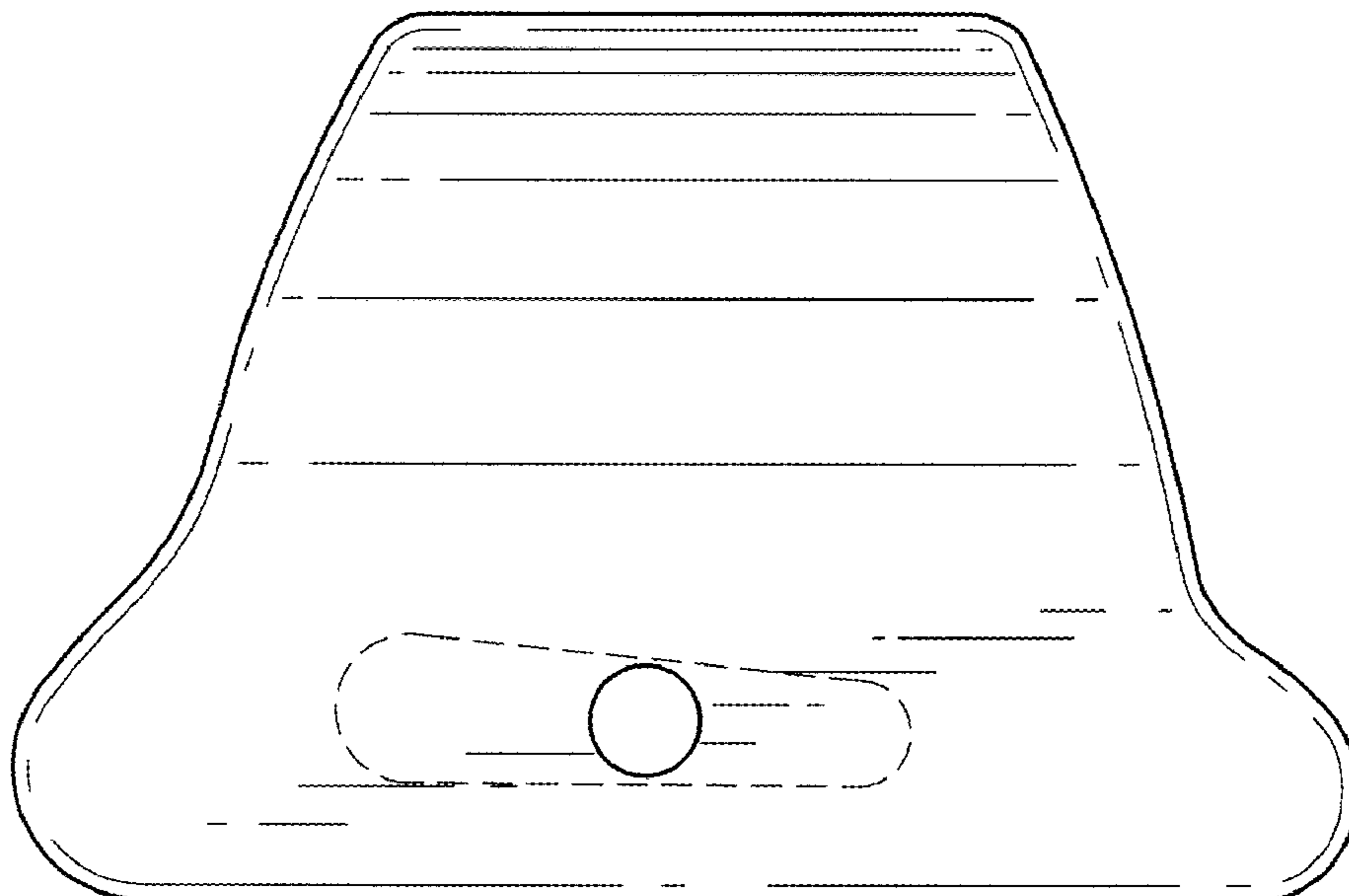
(57) **CLAIM**

The ornamental design for a toe loop for providing pain relief for a person's toe, as shown and described.

DESCRIPTION

FIG. 1 is a top view of a toe loop for providing pain relief for a person's toe of the present design; FIG. 2 is a bottom view of the toe loop for providing pain relief for a person's toe of the design of FIG. 1; FIG. 3 is a rear view of the toe loop for providing pain relief for a person's toe of the design of FIG. 1; FIG. 4 is a front view of the toe loop for providing pain relief for a person's toe of the design of FIG. 1; FIG. 5 is a right side view of the toe loop for providing pain relief for a person's toe of the design of FIG. 1; and, FIG. 6 is a left side view of the toe loop for providing pain relief for a person's toe of the design of FIG. 1. The broken lines shown in the drawing denotes a removable insert for the toe loop for providing pain relief for a person's toe of the present design that forms no part of the claim.

1 Claim, 6 Drawing Sheets



(56)

References Cited

OTHER PUBLICATIONS

Amazon. DR JK Bunion Relief, Toe Separators Bunion Pal Kit, 8 Piece of Bunion Pals to Fight Bunion! Bunion Corrector, Hallux Valgus, Toe Straighteners. Mar. 16, 2017. <https://www.amazon.com/dp/B06XPN7CZR/?tag=trfoa5k-20> (Year: 2017).*

Amazon. ViveSole Toe Spacers (4 Pack)—Gel Toe Ring Separator—Silicone Spreader Band—Corrector for Hammer Toe, Mallet Bunion Pain Relief, Overlapping Crooked Toes, Yoga, Plantar Fasciitis Orthotic.—Review (KaraO). Mar. 5, 2019. <https://amzn.to/37q1FJh> (Year: 2019).*

* cited by examiner

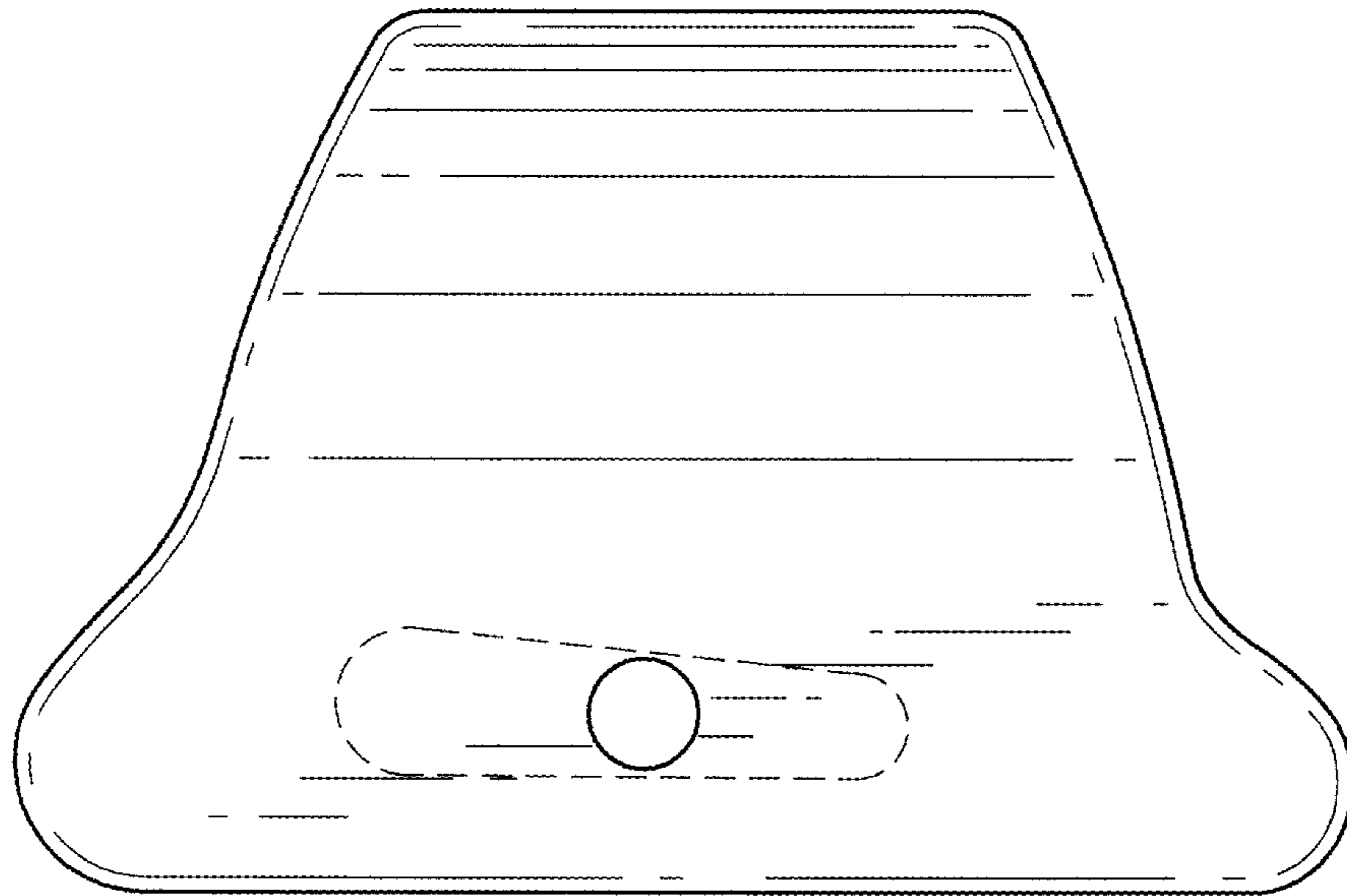


FIG. 1

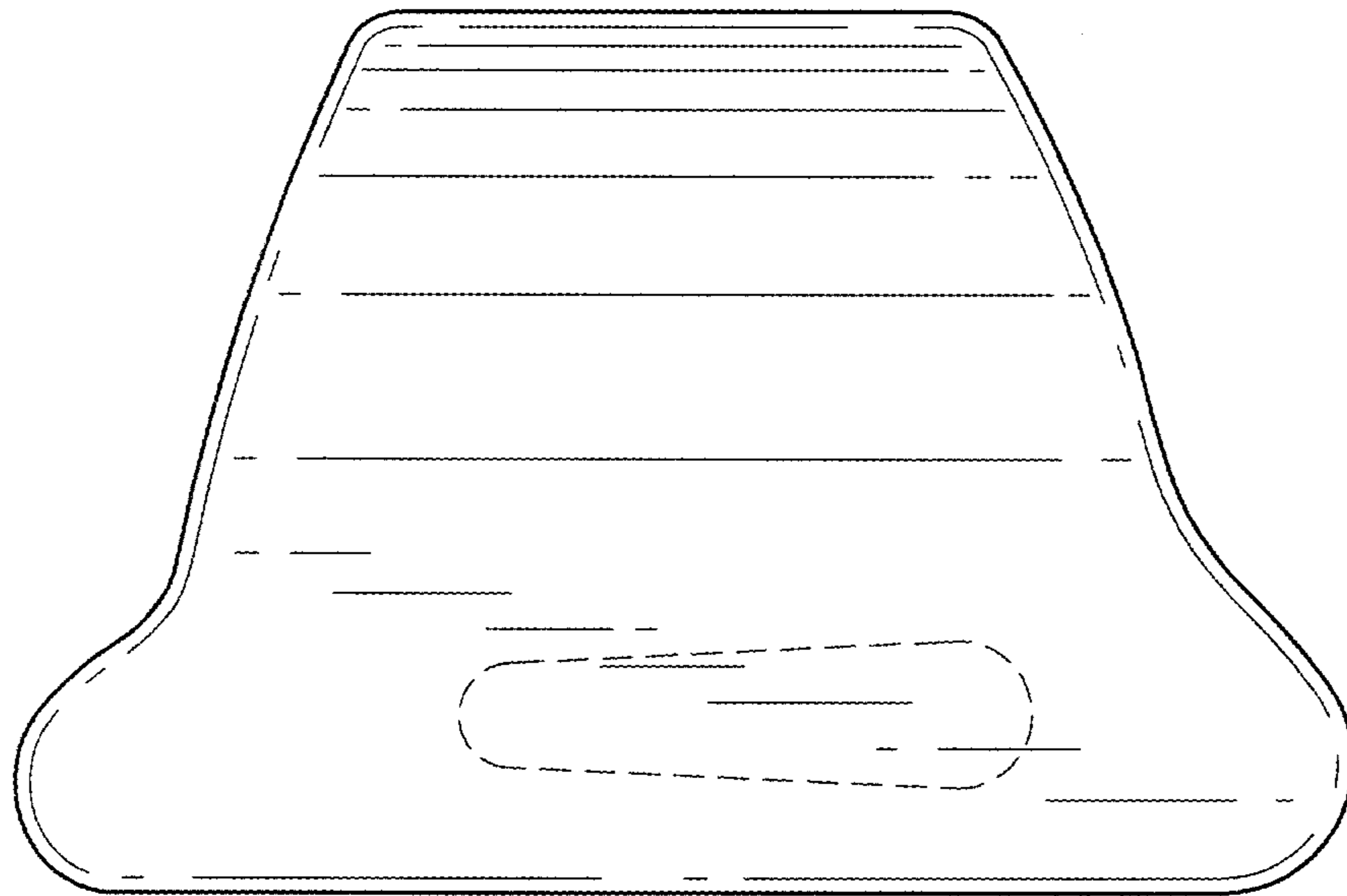


FIG. 2

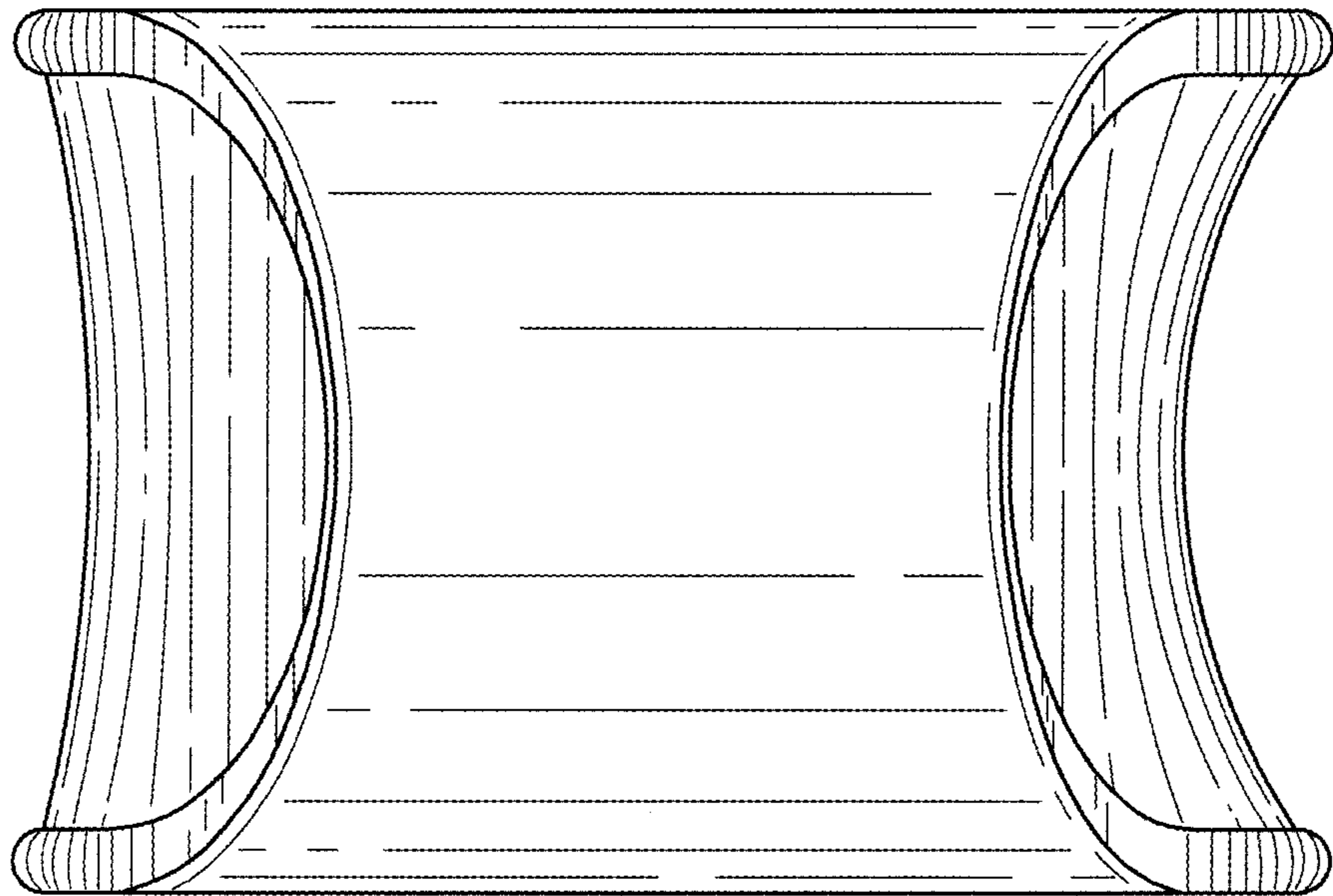


FIG. 3

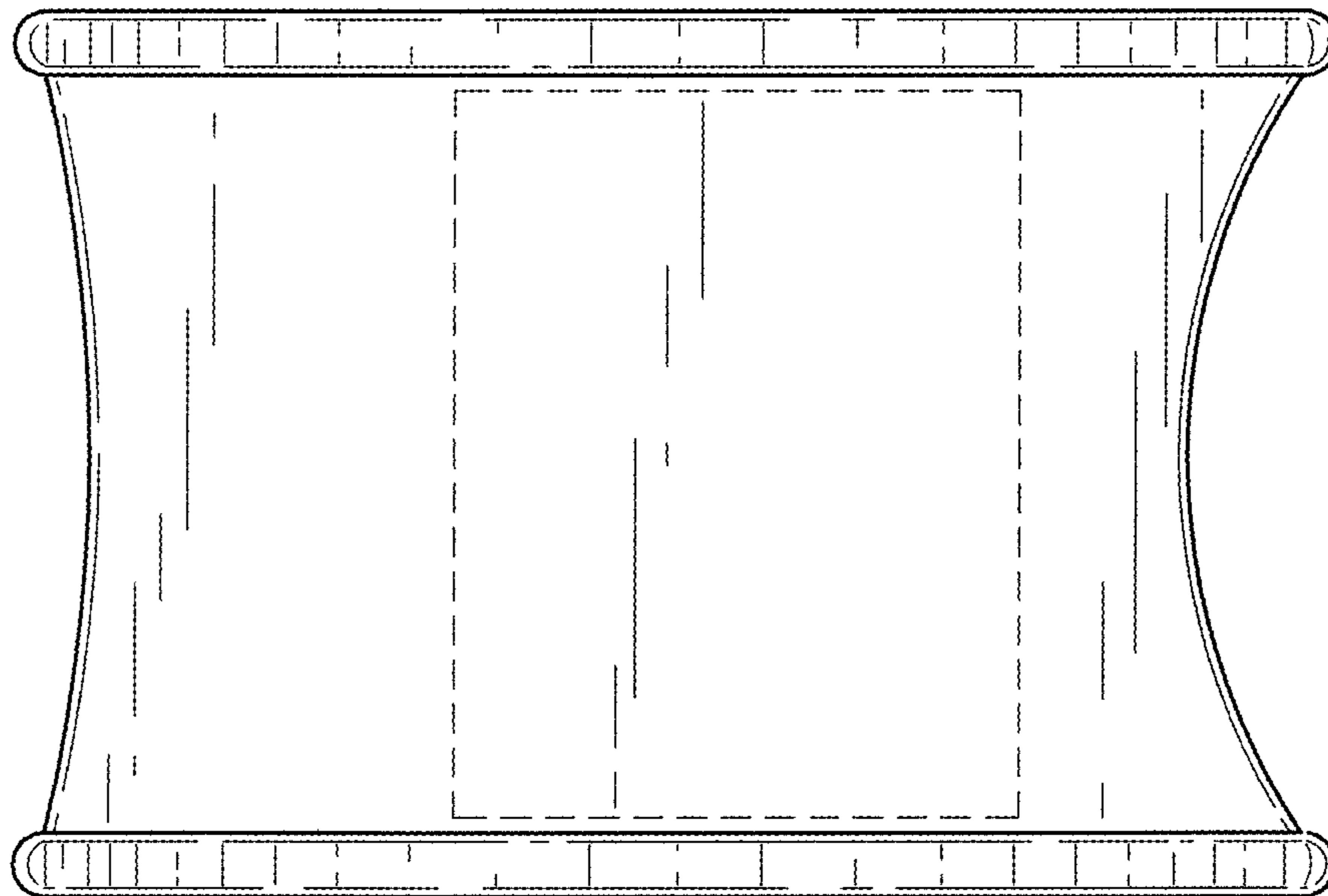


FIG. 4

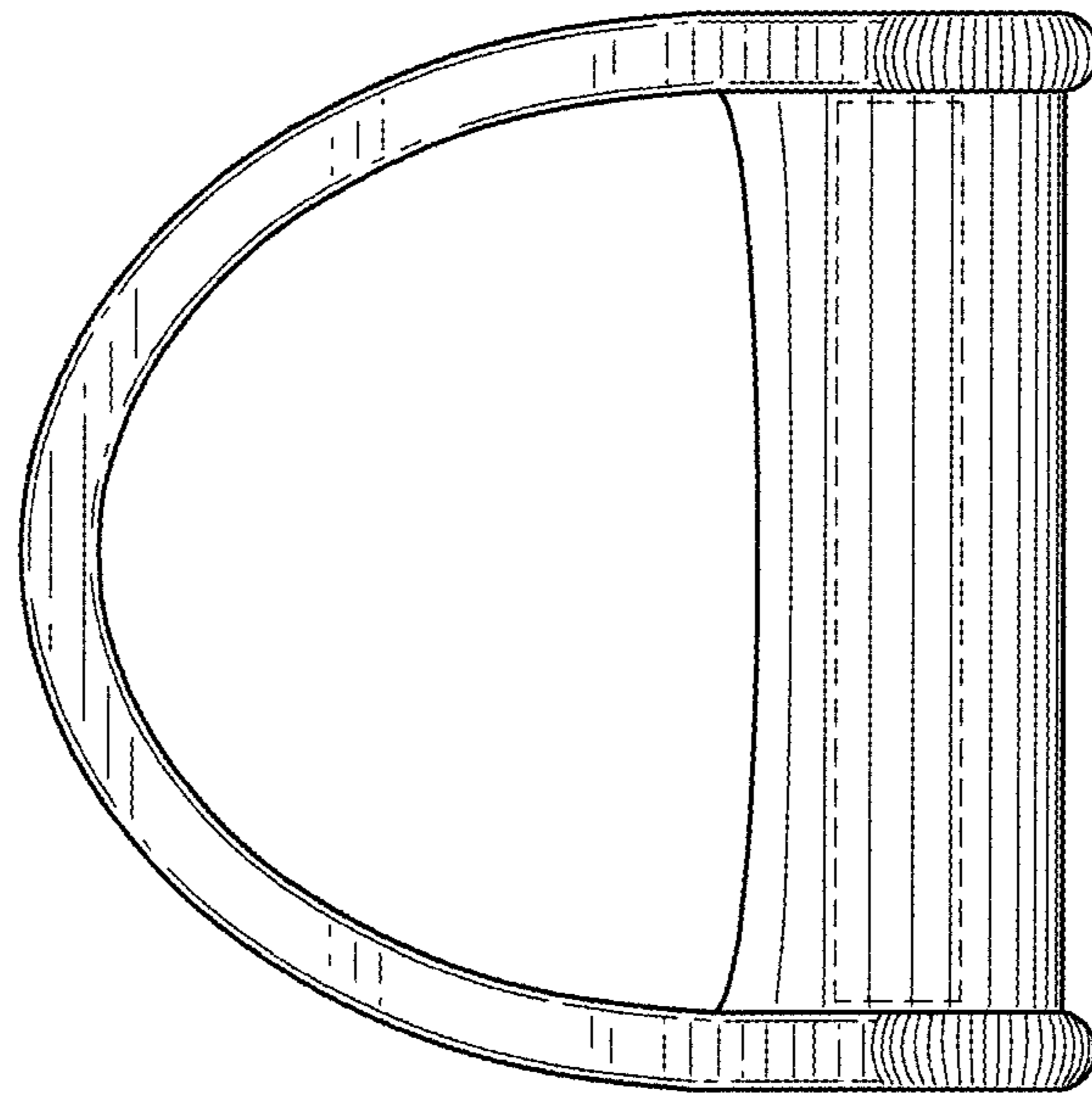


FIG. 5

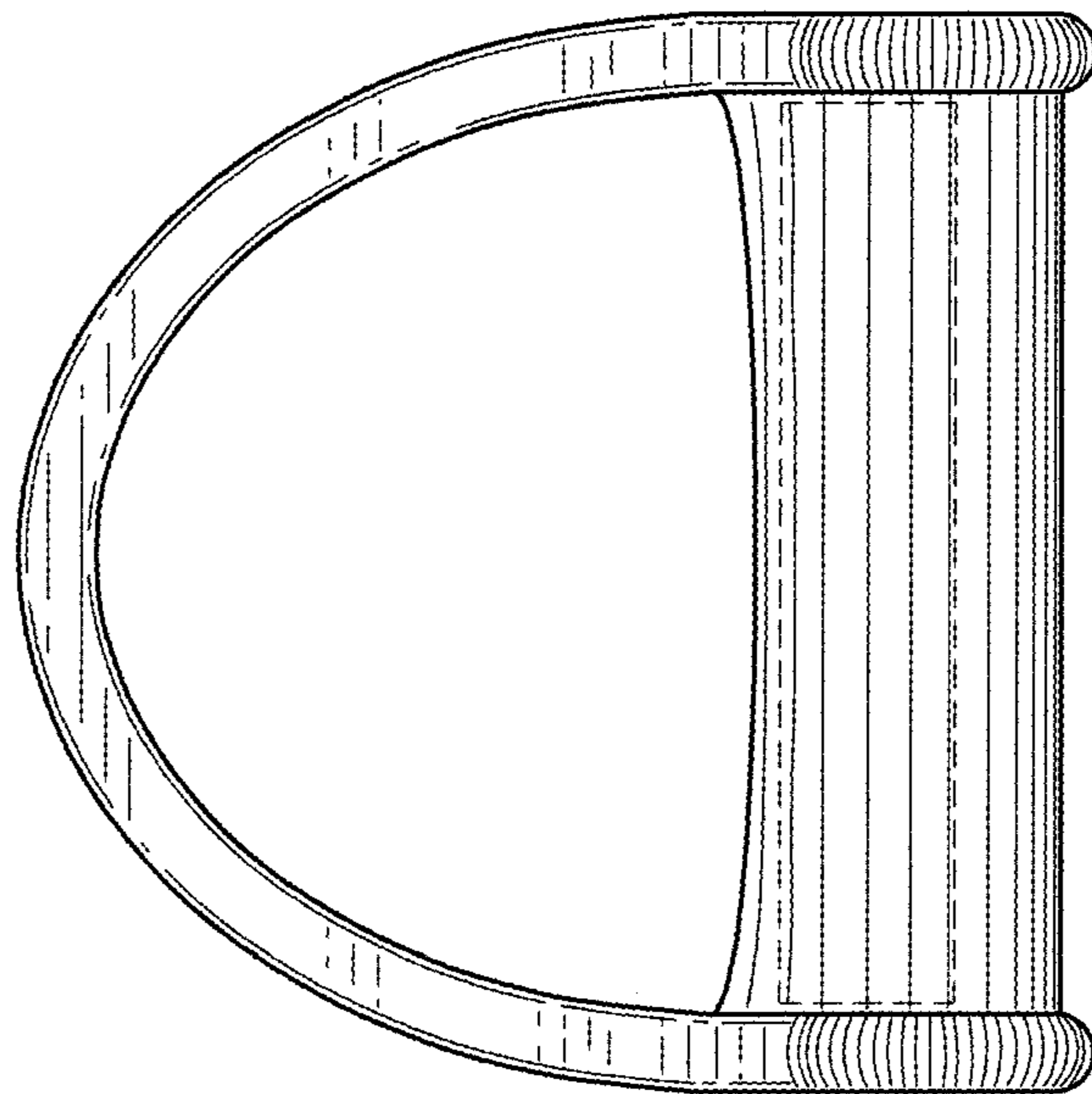


FIG. 6