



US00D927001S

(12) **United States Design Patent**  
**Kersen et al.**

(10) **Patent No.: US D927,001 S**

(45) **Date of Patent: \*\* \*Aug. 3, 2021**

(54) **TOE SEPARATOR**

(71) Applicant: **Poly-Gel L.L.C.**, Whippany, NJ (US)

(72) Inventors: **Lawrence Kersen**, Boonton, NJ (US);  
**Marty Vogel**, Flushing, NY (US)

(73) Assignee: **Poly-Gel L.L.C.**, Whippany, NJ (US)

(\*) Notice: This patent is subject to a terminal disclaimer.

(\*\*) Term: **15 Years**

(21) Appl. No.: **29/696,441**

(22) Filed: **Jun. 27, 2019**

(51) **LOC (13) Cl.** ..... **24-01**

(52) **U.S. Cl.**  
USPC ..... **D24/192**

(58) **Field of Classification Search**  
USPC ..... D24/188–192, 200, 206, 214, 215  
CPC ..... A61F 13/00021; A61F 13/0203; A61F  
13/066

See application file for complete search history.

(56) **References Cited**

U.S. PATENT DOCUMENTS

2,268,777	A *	1/1942	Scholl	.....	A61F 13/02
					128/894
D531,790	S *	11/2006	Wurzburg	.....	D2/961
D570,488	S *	6/2008	Kirksey	.....	D24/189
D664,755	S *	8/2012	Gavrieli	.....	D2/962
D696,819	S *	12/2013	Huthmaker	.....	D28/57
D717,452	S *	11/2014	Boggs	.....	D24/189
D763,454	S *	8/2016	Rust Huthmaker	.....	D24/192
D767,771	S *	9/2016	Moon	.....	D24/188
D775,352	S *	12/2016	Mills	.....	D24/171
D787,078	S *	5/2017	Daniels	.....	D24/192
D813,464	S *	3/2018	Echeverri	.....	D29/121.1

D838,374	S *	1/2019	Bannwart	.....	D24/189
D841,172	S *	2/2019	Bannwart	.....	D24/189
D886,308	S *	6/2020	Kersen	.....	D24/192
D892,342	S *	8/2020	Cook	.....	D24/189
2008/0023017	A1 *	1/2008	Cotton	.....	A45D 29/22
					132/73
2011/0284018	A1 *	11/2011	Dragos	.....	A45D 29/22
					132/73
2012/0152267	A1 *	6/2012	Chang	.....	A43B 3/106
					132/200

OTHER PUBLICATIONS

Best Advisors. Best Bunion Correctors in the UK. Nov. 26, 2020.  
<https://www.bestadvisers.co.uk/bunion-correctors> (Year: 2020).\*

(Continued)

*Primary Examiner* — Darcey E Gottschalk

(74) *Attorney, Agent, or Firm* — Edwin D. Schindler

(57) **CLAIM**

The ornamental design for a toe separator, as shown and described.

**DESCRIPTION**

FIG. 1 is a top view of the toe separator of the present design with an insert therein;

FIG. 2 is a bottom view of the toe separator of the design of FIG. 1 without the insert therein;

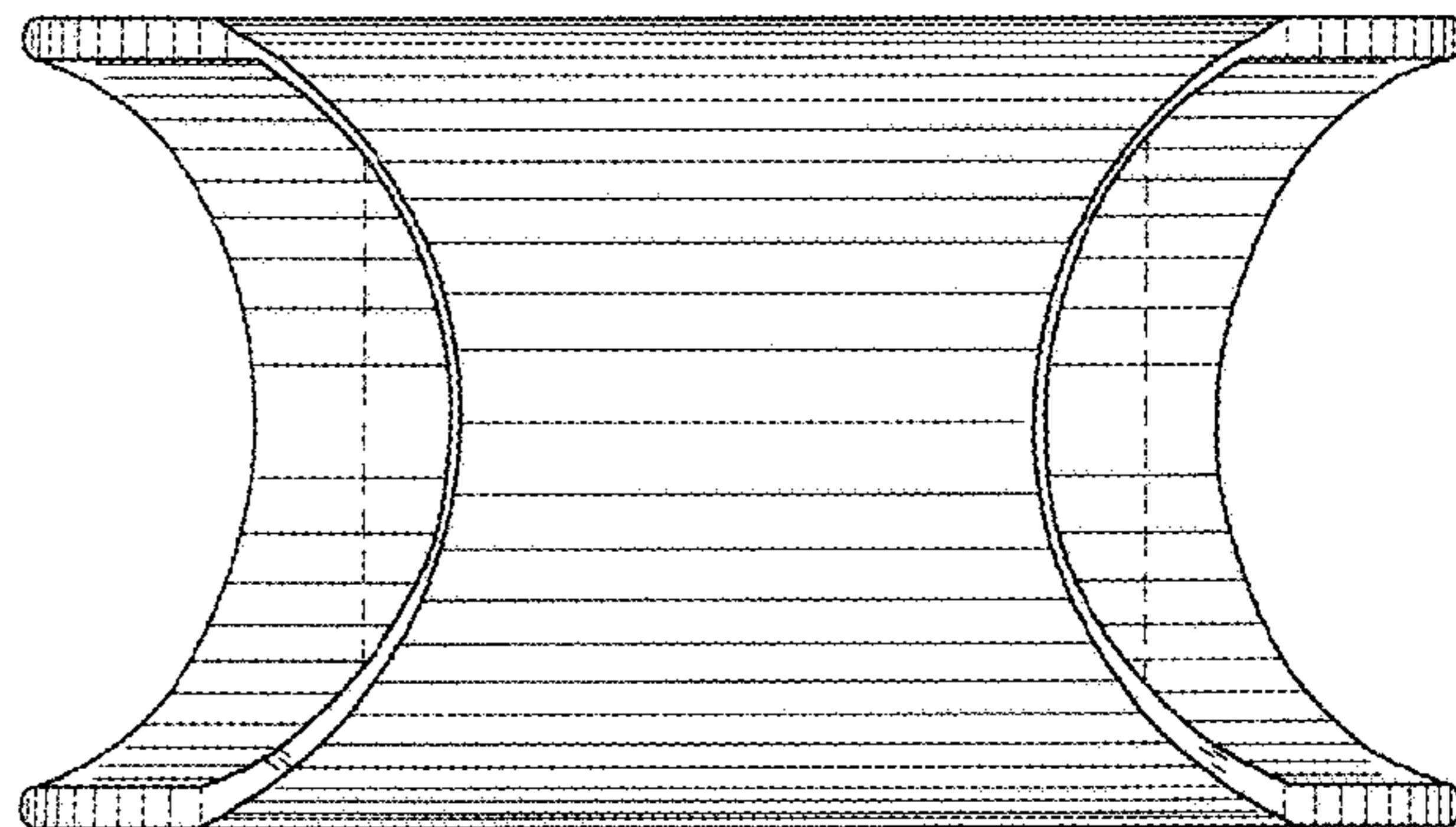
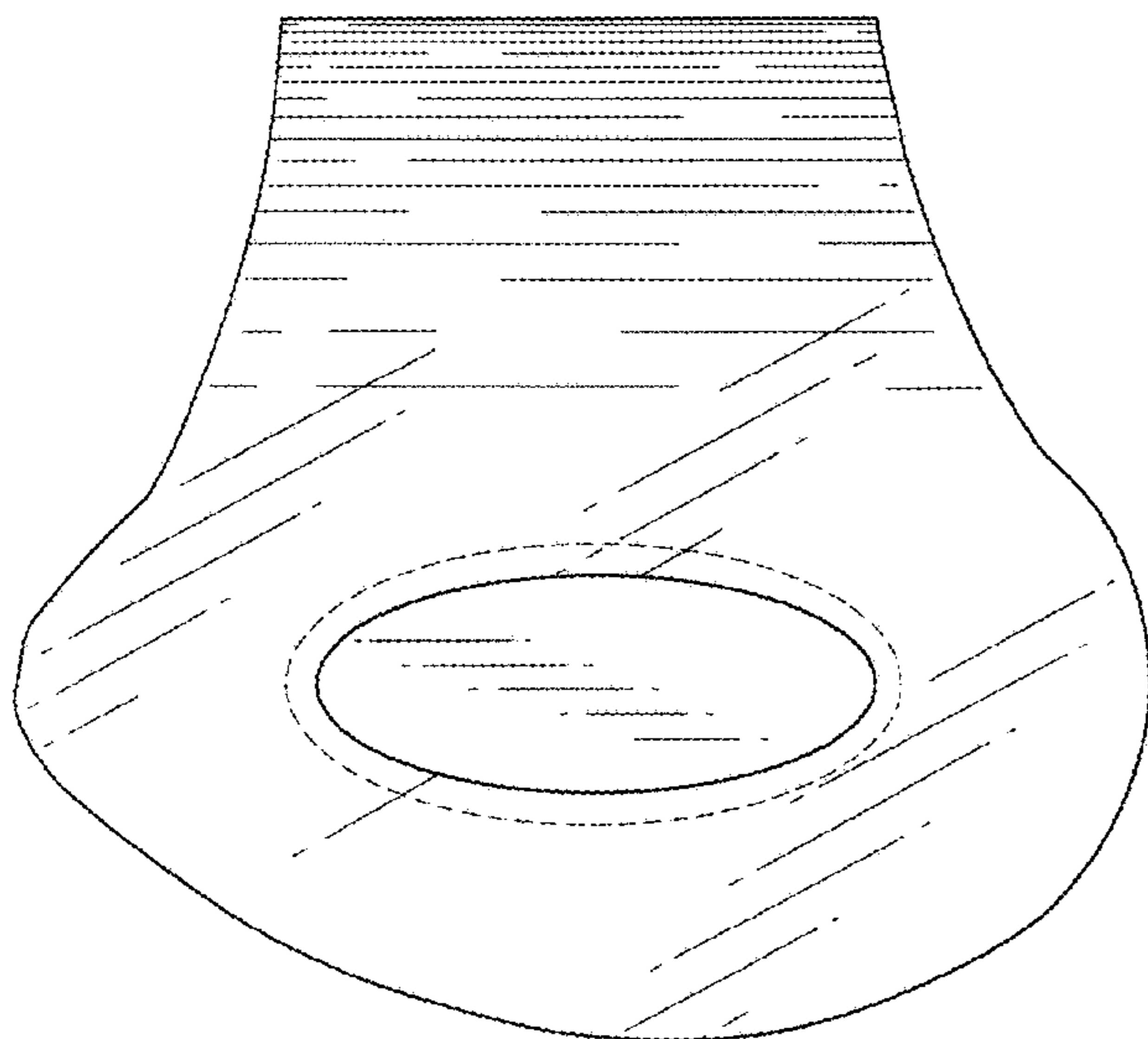
FIG. 3 is a front view of the toe separator of the design of FIG. 1;

FIG. 4 is a rear view of the toe separator of the design of FIG. 1;

FIG. 5 is a left-side view of the toe separator of the design of FIG. 1; and,

FIG. 6 is a right-side view of the toe separator of the design of FIG. 1.

**1 Claim, 6 Drawing Sheets**



(56)

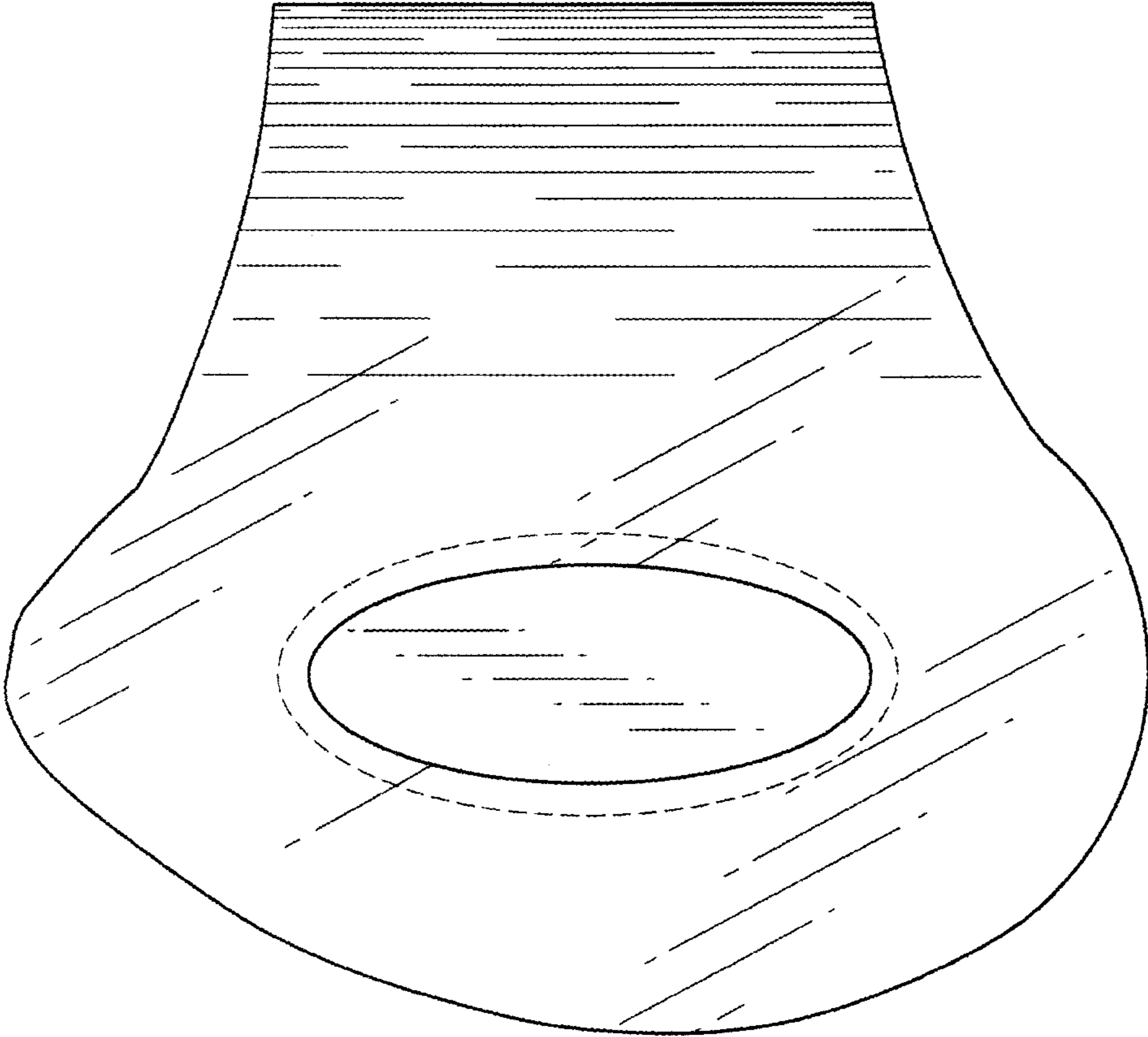
**References Cited**

OTHER PUBLICATIONS

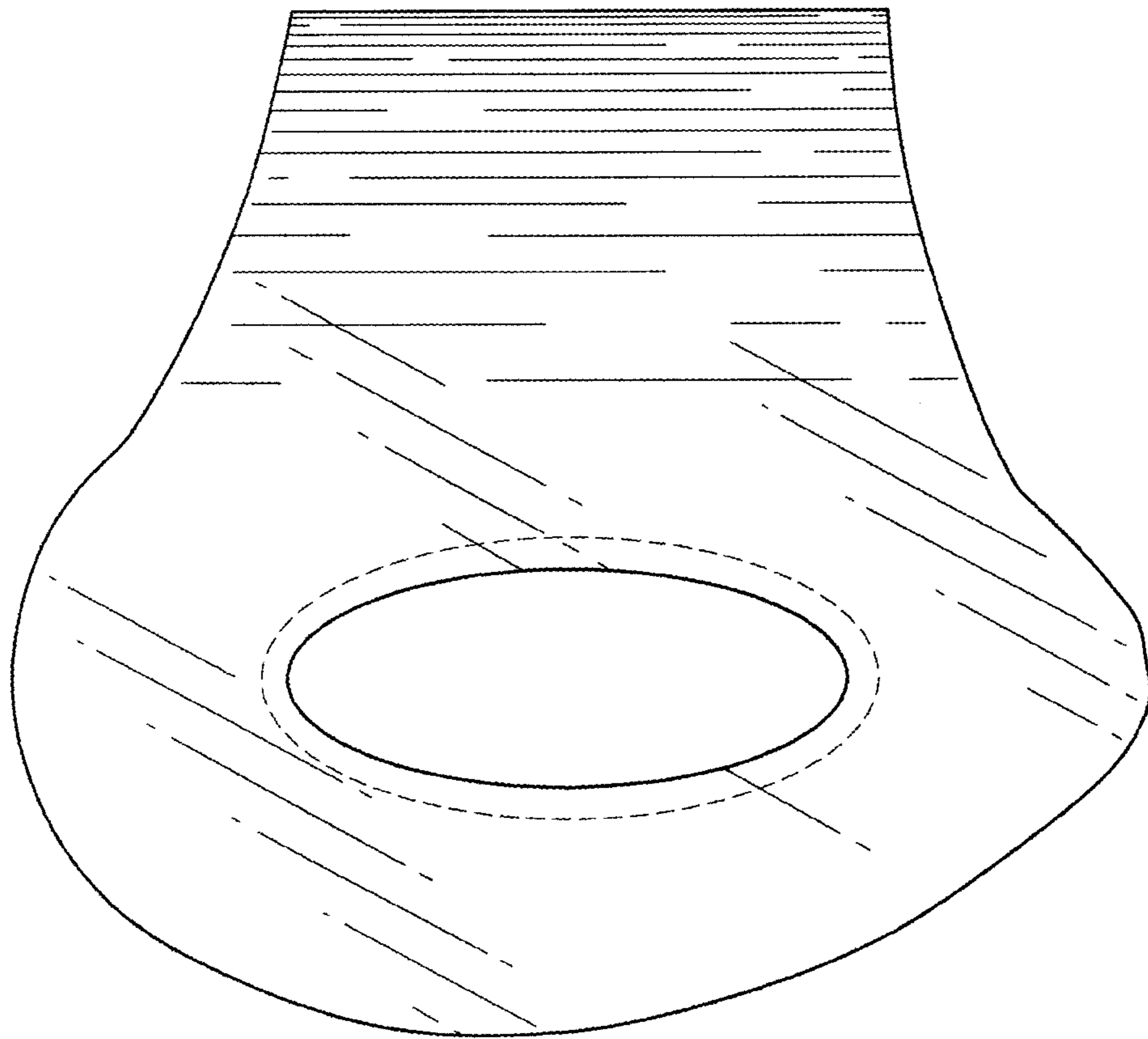
Amazon. DR JK Bunion Relief, Toe Separators Bunion Pal Kit, 8 Piece of Bunion Pals to Fight Bunion! Bunion Corrector, Hallux Valgus, Toe Straighteners. Mar. 16, 2017. <https://www.amazon.com/dp/B06XPN7CZR/?tag=trfoa5k-20> (Year: 2017).\*

Amazon. ViveSole Toe Spacers (4 Pack)—Gel Toe Ring Separator—Silicone Spreader Band—Corrector for Hammer Toe, Mallet Bunion Pain Relief, Overlapping Crooked Toes, Yoga, Plantar Fasciitis Orthotic.—Review (KaraO). Mar. 5, 2019. <https://amzn.to/37q1FJh> (Year: 2019).\*

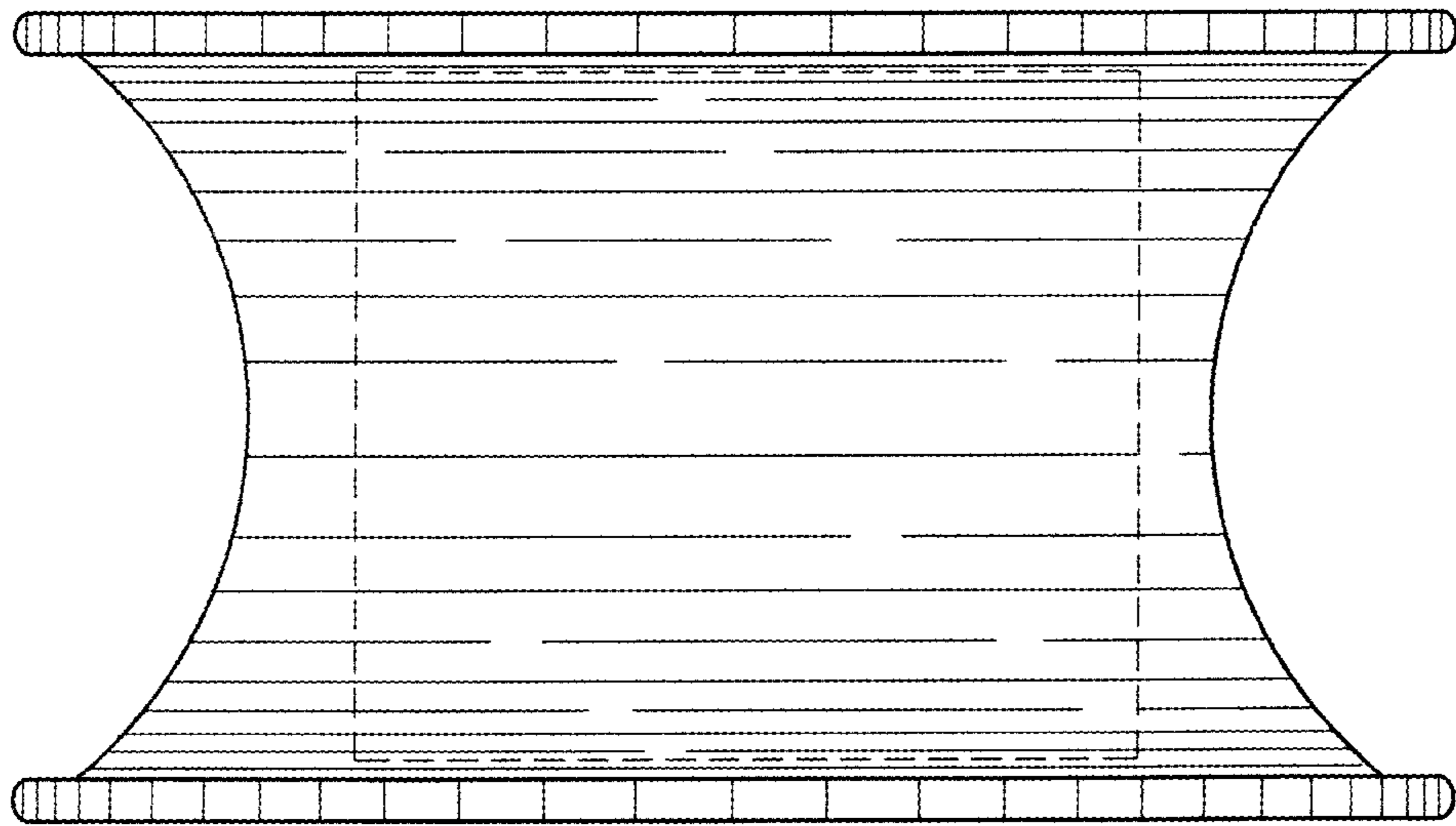
\* cited by examiner



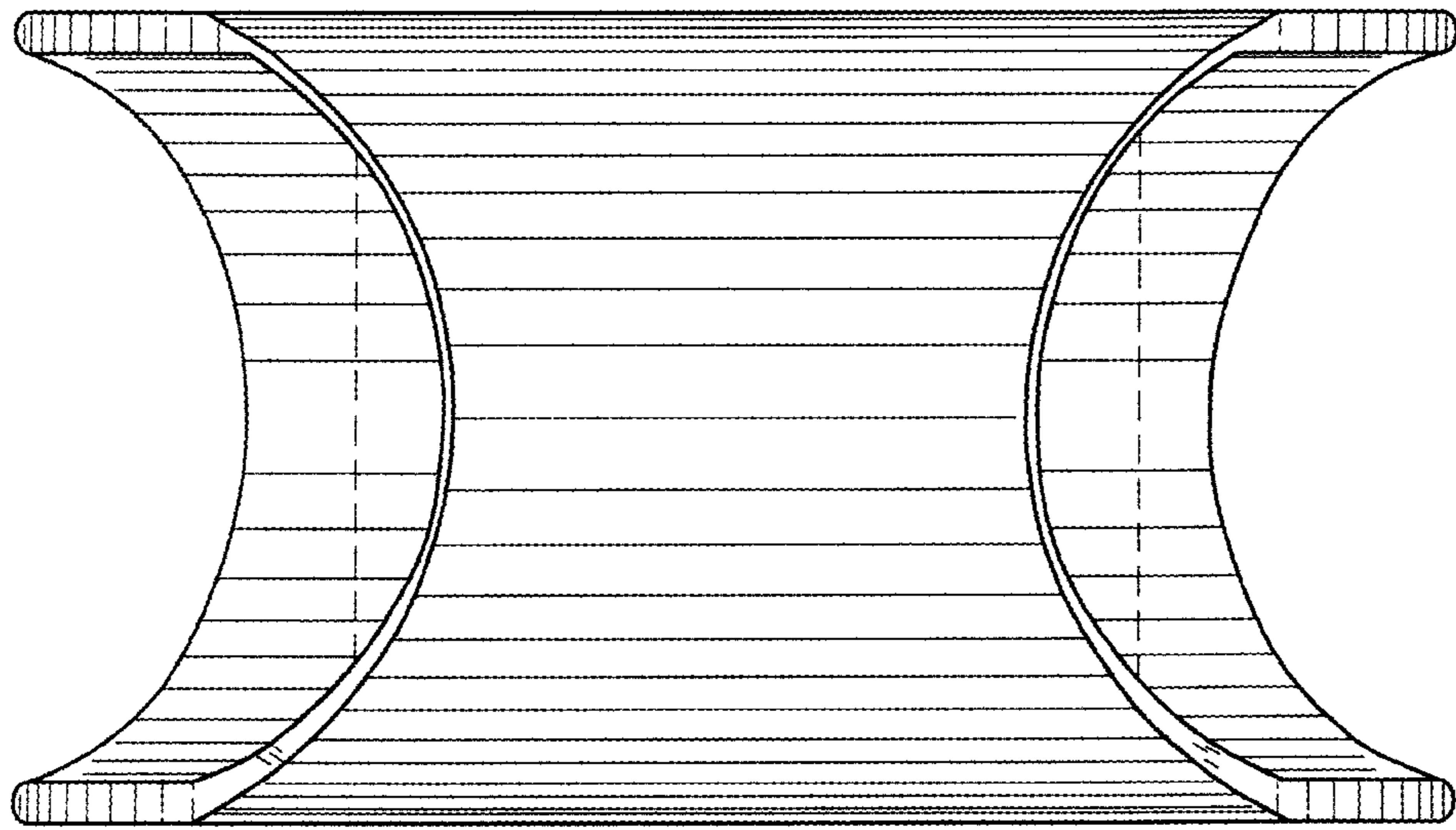
**FIG. 1**



**FIG. 2**

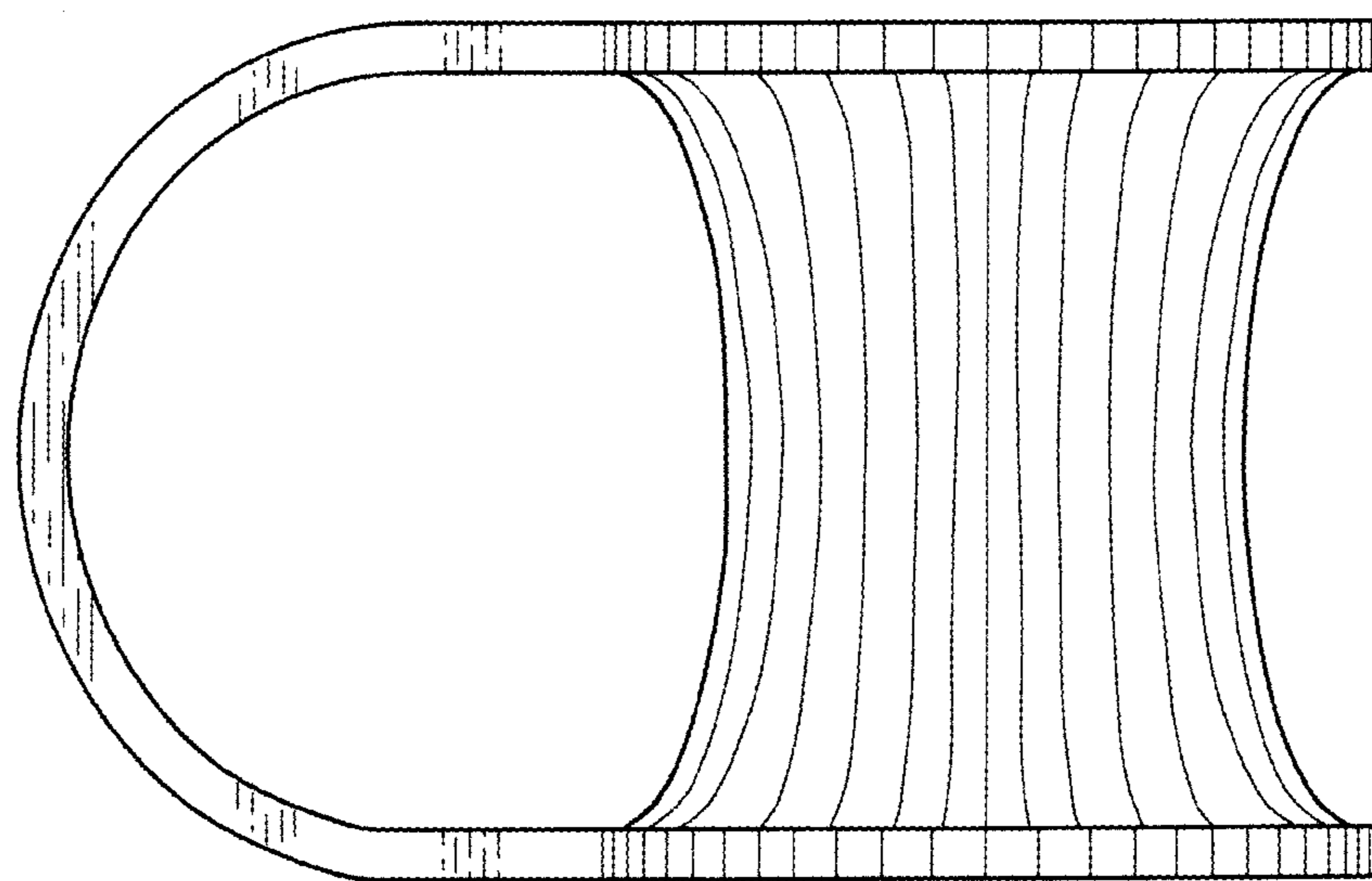


**FIG. 3**

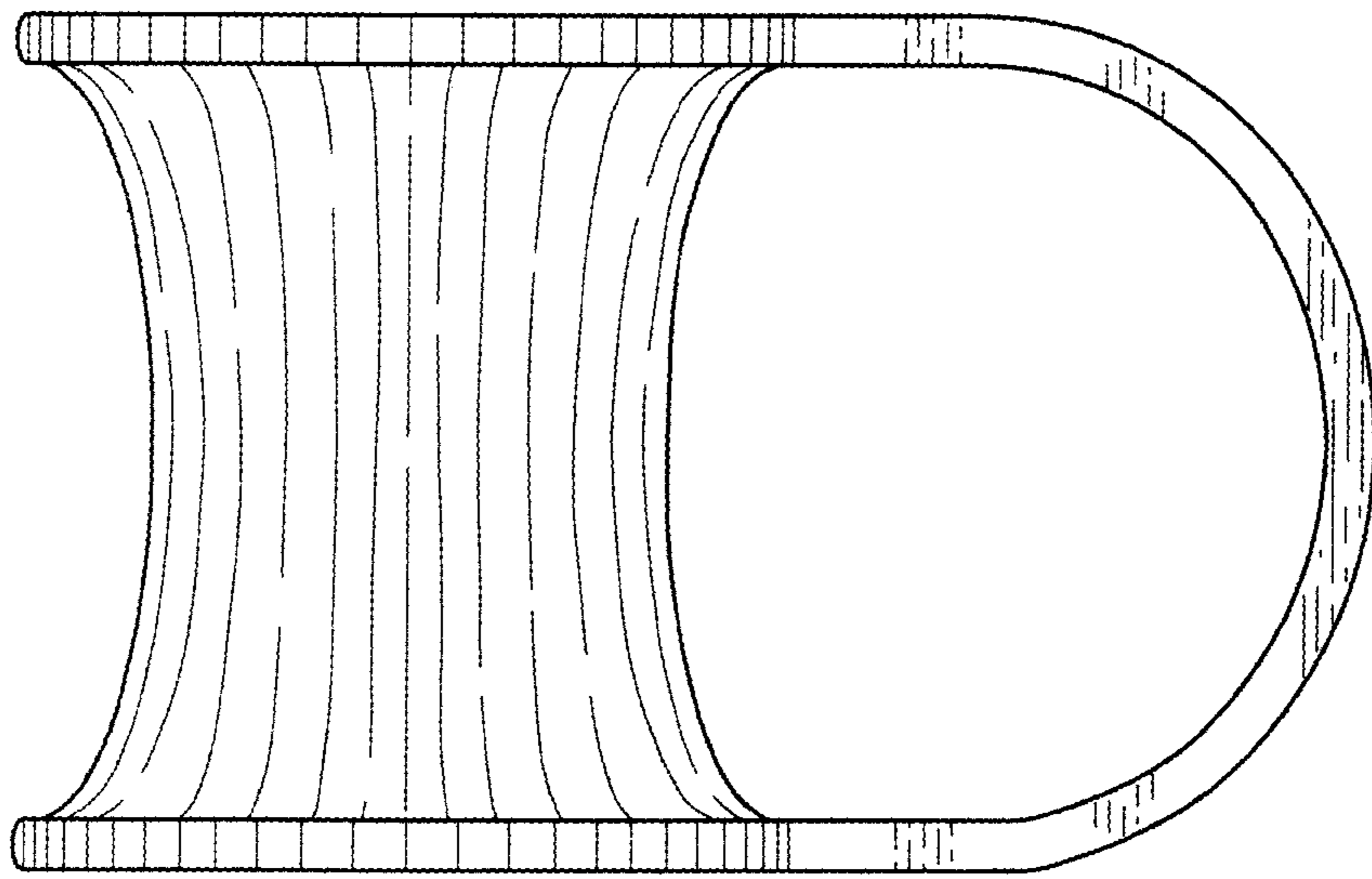


**FIG. 4**





**FIG. 5**



**FIG. 6**