



US00D926997S

(12) **United States Design Patent**  
**Nieminen et al.**

(10) **Patent No.:** **US D926,997 S**

(45) **Date of Patent:** **\*\* Aug. 3, 2021**

(54) **MEDICAL EXAMINATION PROBE**

(71) Applicant: **EchoNous, Inc.**, Redmond, WA (US)

(72) Inventors: **Greg Nieminen**, Bothell, WA (US);  
**Nikolaos Pagoulatos**, Kirkland, WA (US);  
**Brandon Cheung**, San Francisco, CA (US);  
**Christopher Loew**, Palo Alto, CA (US)

(73) Assignee: **EchoNous, Inc.**, Redmond, WA (US)

(\*\*) Term: **15 Years**

(21) Appl. No.: **29/772,469**

(22) Filed: **Mar. 2, 2021**

**Related U.S. Application Data**

(63) Continuation of application No. 29/693,104, filed on May 30, 2019, now Pat. No. Des. 914,220.

(51) **LOC (13) Cl.** ..... **24-01**

(52) **U.S. Cl.**  
USPC ..... **D24/187**

(58) **Field of Classification Search**  
USPC ..... D24/107, 133, 137, 138, 141, 147,  
D24/158-161, 164, 165, 167, 170,  
D24/185-187, 130, 112, 113, 146, 200;  
D10/57, 60, 78, 80; D6/709  
CPC ..... A61B 17/0469; A61B 17/0482; A61B  
2017/2927; A61B 8/0437; A61B 8/0883;  
A61B 8/4405; A61B 8/4427; A61B  
8/445; B41J 2/17513  
See application file for complete search history.

(56) **References Cited**

**U.S. PATENT DOCUMENTS**

D284,096 S 6/1986 Desjacques  
D290,820 S 7/1987 Slovak  
D345,703 S 4/1994 Cervas  
D387,862 S 12/1997 Mainiero et al.

D387,867 S 12/1997 Henderson et al.  
D399,151 S 10/1998 Fisher et al.  
D400,455 S 11/1998 Fisher  
5,897,503 A 4/1999 Lyon et al.  
D461,730 S 8/2002 Luebke et al.

(Continued)

**FOREIGN PATENT DOCUMENTS**

CN 304195308 S 7/2017  
TW D177664 8/2016  
TW D180775 S 1/2017

**OTHER PUBLICATIONS**

Search Report for Taiwan Application No. 108307398, dated Sep. 25, 2020, 1 pg.

(Continued)

*Primary Examiner* — T Chase Nelson

*Assistant Examiner* — Kelly L Gross

(74) *Attorney, Agent, or Firm* — Seed Intellectual Property Law Group LLP

(57) **CLAIM**

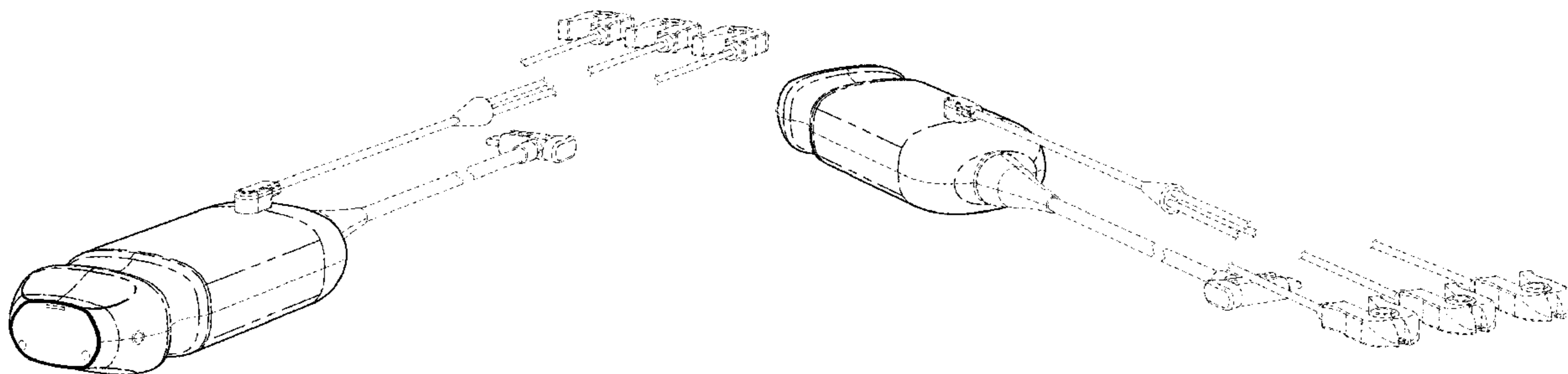
The ornamental design for a medical examination probe, as shown and described.

**DESCRIPTION**

FIG. 1 is a top, front, right side perspective view of a medical examination probe showing our new design. FIG. 2 is a top, rear, right side perspective view thereof. FIG. 3 is a top plan view thereof. FIG. 4 is a bottom plan view thereof. FIG. 5 is a right side elevation view thereof. FIG. 6 is a left side elevation view thereof. FIG. 7 is a rear elevation view thereof; and, FIG. 8 is a front elevation view thereof.

The broken lines in the figures are for the purpose of illustrating aspects of the medical examination probe that form no part of the claimed design.

**1 Claim, 4 Drawing Sheets**



(56)

References Cited

U.S. PATENT DOCUMENTS

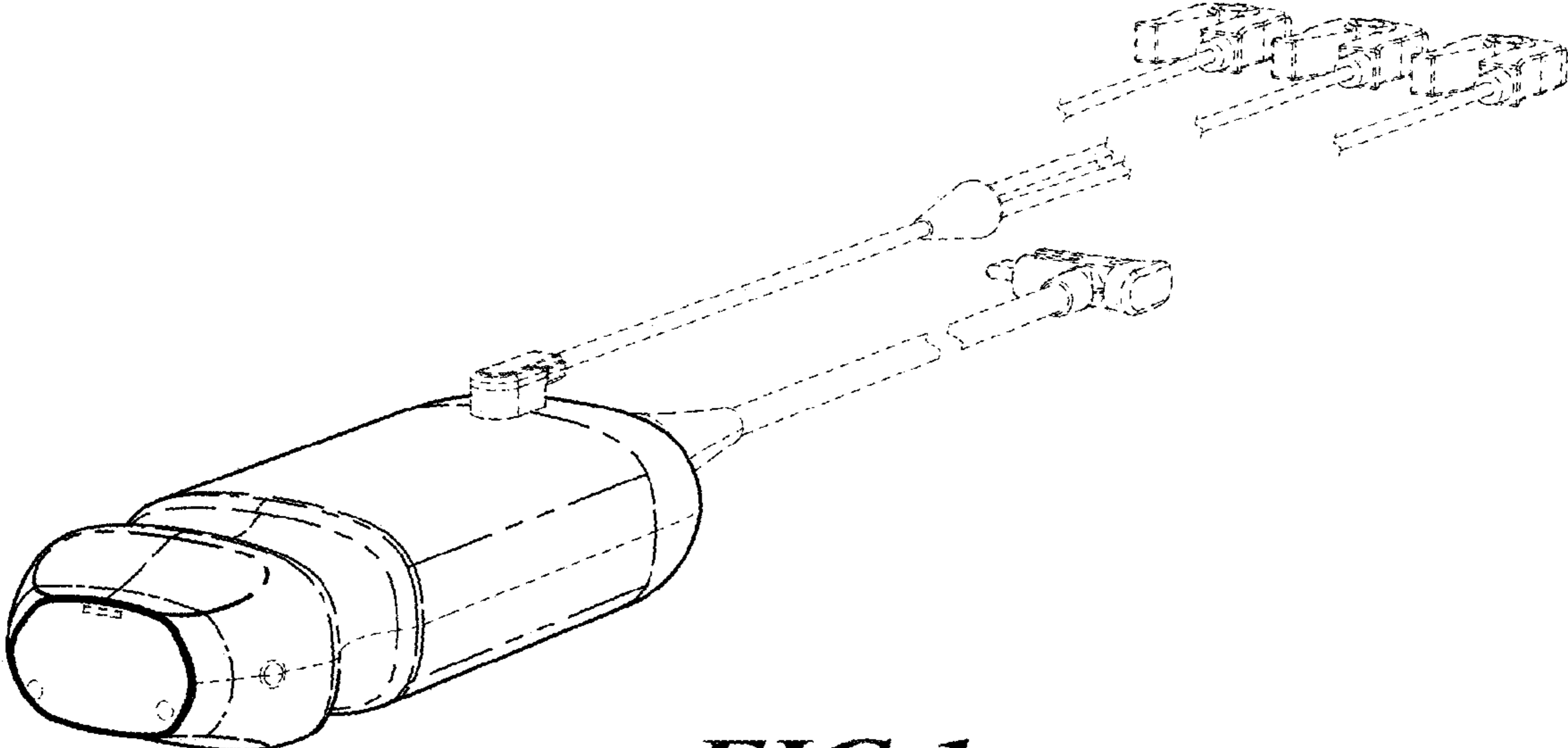
D472,170 S 3/2003 Reymond  
 D481,963 S 11/2003 Onuma et al.  
 D538,936 S 3/2007 Böhmel et al.  
 D591,424 S 4/2009 Costa  
 D628,917 S 12/2010 Tian  
 D629,319 S 12/2010 Tian  
 D634,849 S 3/2011 Kanokogi et al.  
 D636,087 S 4/2011 Loew et al.  
 D681,820 S 5/2013 Shinohara et al.  
 D681,823 S 5/2013 Shinohara et al.  
 D681,824 S 5/2013 Shinohara et al.  
 D681,825 S 5/2013 Shinohara et al.  
 D681,827 S 5/2013 Shinohara et al.  
 D681,828 S 5/2013 Shinohara et al.  
 D681,829 S 5/2013 Shinohara et al.  
 D682,433 S 5/2013 Shinohara et al.  
 D685,100 S 6/2013 Shinohara et al.  
 D702,358 S 4/2014 Shinohara et al.  
 D703,819 S 4/2014 Moon et al.  
 D703,821 S 4/2014 Moon et al.  
 D704,844 S 5/2014 Saeki  
 9,072,487 B2 7/2015 Hebrard et al.  
 D737,225 S 8/2015 Seidl et al.  
 D745,686 S 12/2015 Personelli  
 D748,808 S 2/2016 Matsumura et al.  
 D749,224 S 2/2016 Iritani  
 D754,357 S 4/2016 Lindekugel et al.  
 D756,818 S 5/2016 Hashimoto et al.  
 D763,452 S 8/2016 Ryu et al.

D770,629 S 11/2016 Nieminen et al.  
 D770,630 S 11/2016 Nieminen et al.  
 D787,685 S 5/2017 Vezina  
 D811,606 S 2/2018 Kitayama  
 D812,745 S 3/2018 Pascullo  
 D816,850 S 5/2018 Asai et al.  
 D816,851 S 5/2018 Asai et al.  
 D818,594 S 5/2018 Asai et al.  
 D822,218 S 7/2018 Asai et al.  
 D831,219 S 10/2018 Henderson et al.  
 D837,390 S 1/2019 Harada  
 D839,424 S 1/2019 Golosarsky et al.  
 D841,650 S 2/2019 Masin et al.  
 D842,482 S 3/2019 Harada  
 D861,884 S 10/2019 Moon et al.  
 D862,710 S 10/2019 Moon et al.  
 D865,973 S 11/2019 Chamberlain et al.  
 D870,897 S 12/2019 Katzberg  
 D875,259 S 2/2020 Moon et al.  
 D876,637 S 2/2020 Moon et al.  
 D878,603 S 3/2020 Zhang et al.  
 D884,193 S 5/2020 Robinson et al.  
 D892,337 S 8/2020 Zhang  
 D910,857 S \* 2/2021 Shibayama ..... D24/187  
 D912,254 S \* 3/2021 Roy ..... D24/186  
 2017/0252004 A1 9/2017 Broad et al.

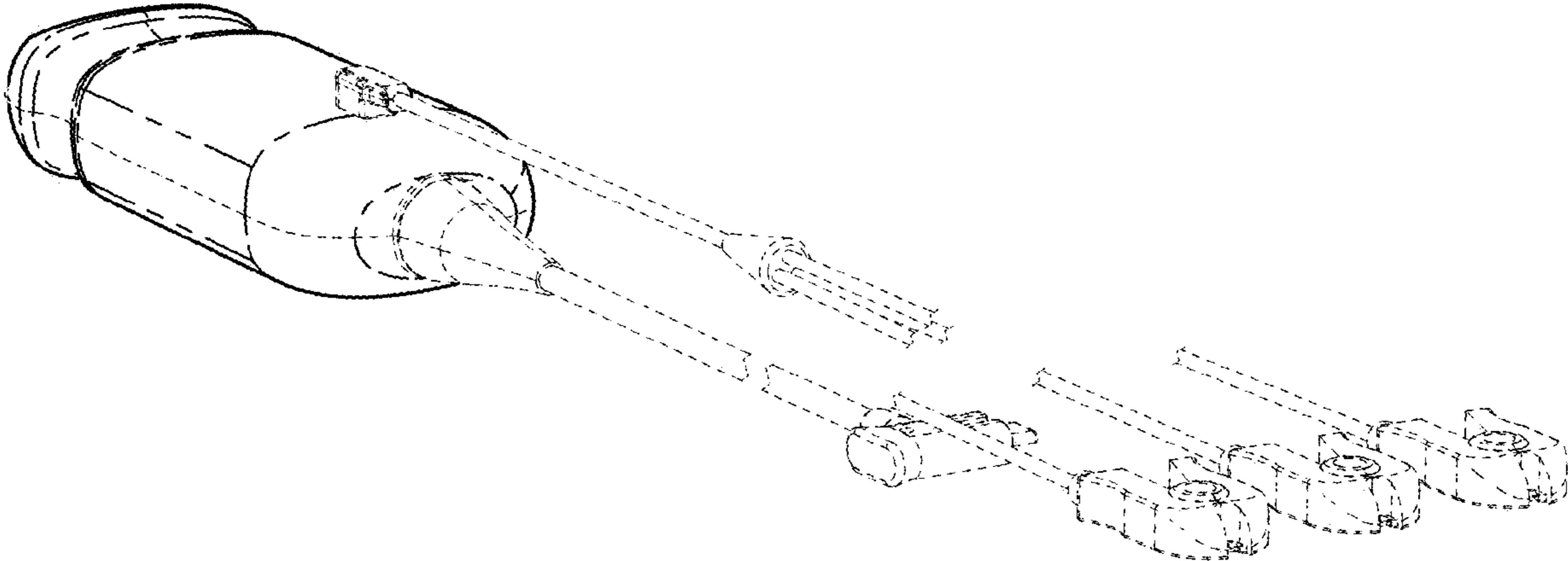
OTHER PUBLICATIONS

Search Report for Taiwan Application No. 108307398D01, dated Nov. 9, 2020, 1 pg.

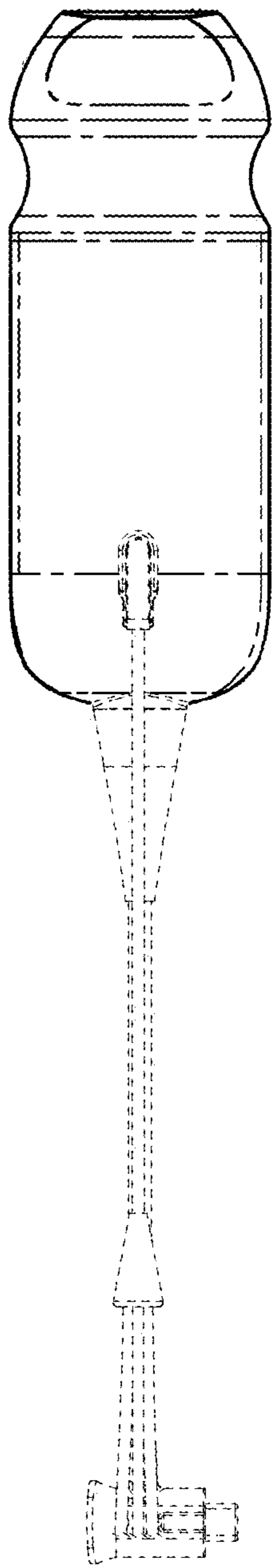
\* cited by examiner



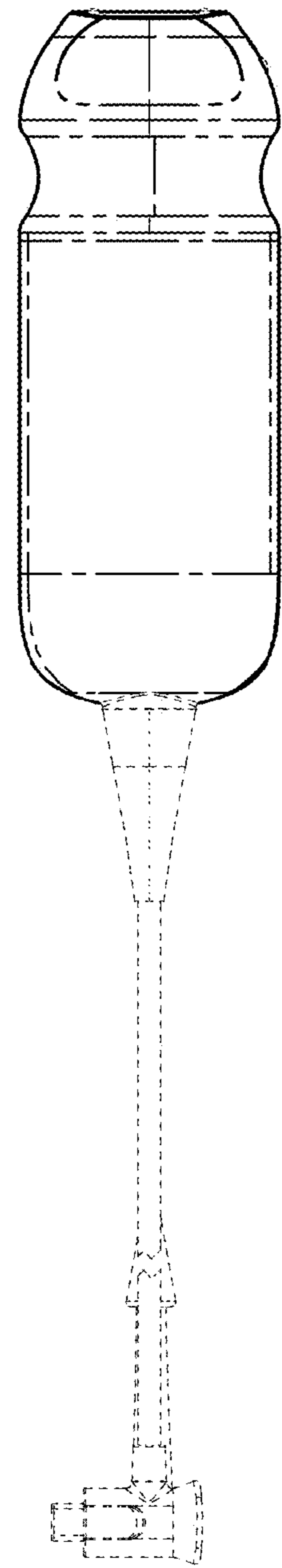
**FIG. 1**



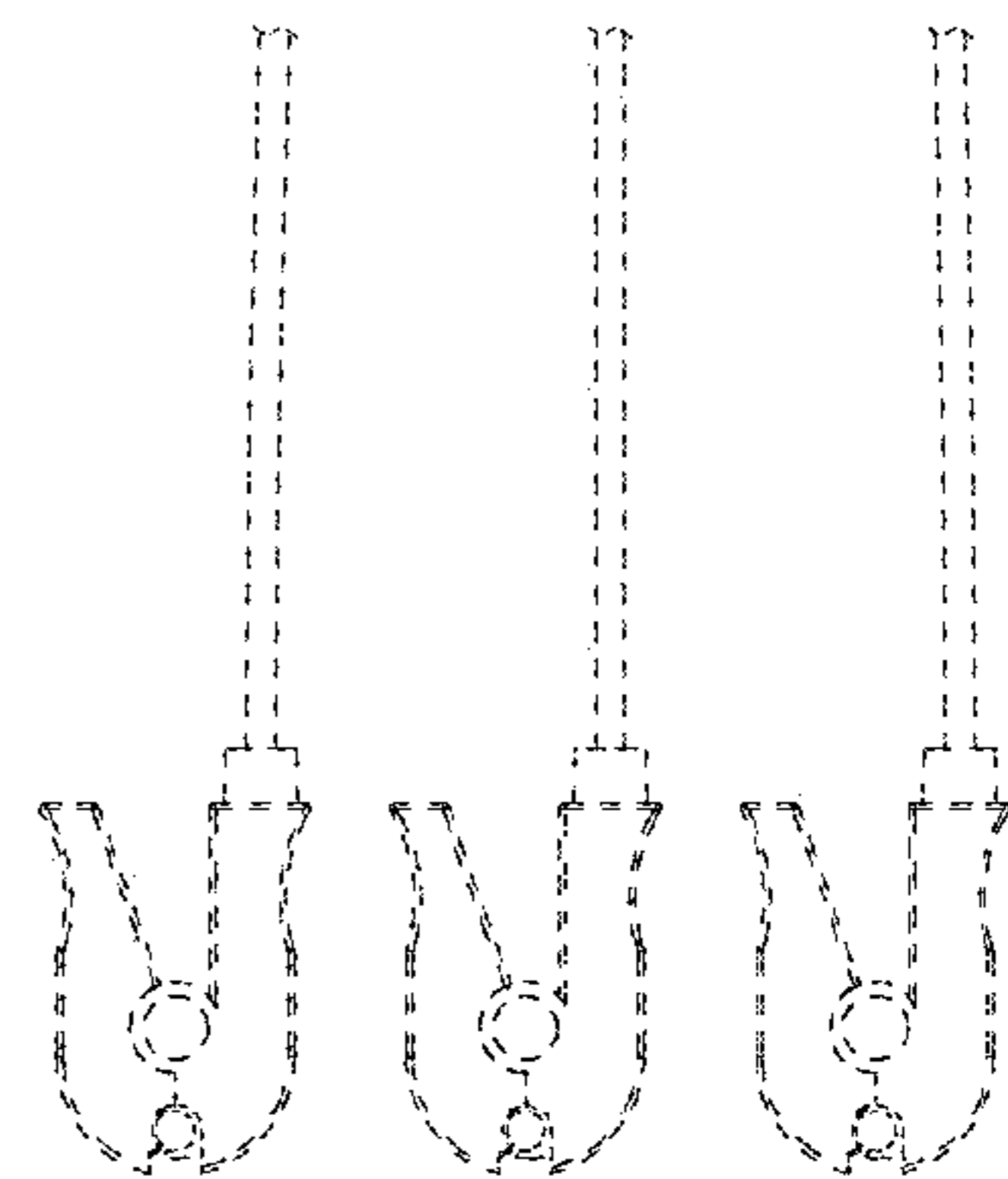
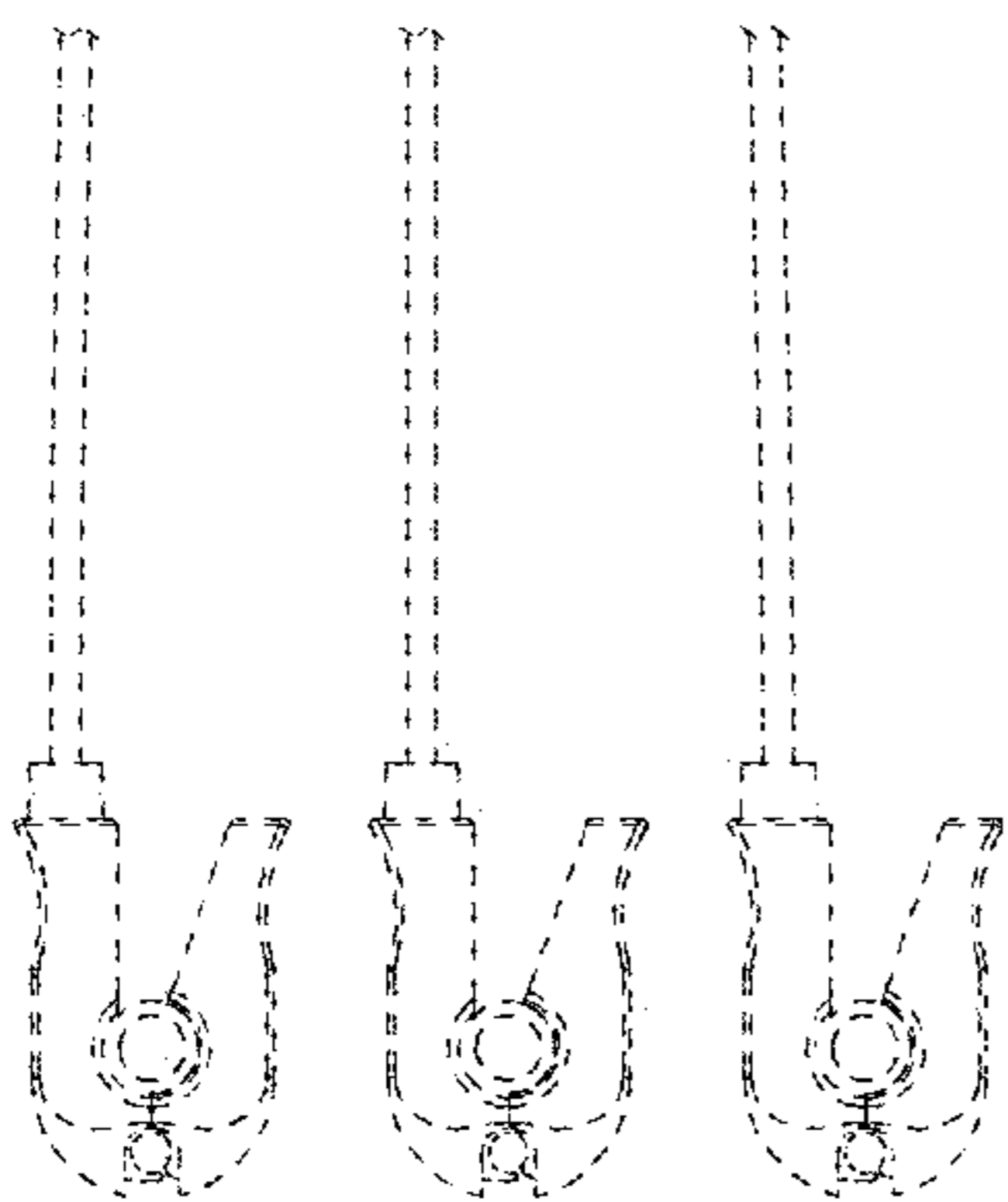
**FIG. 2**

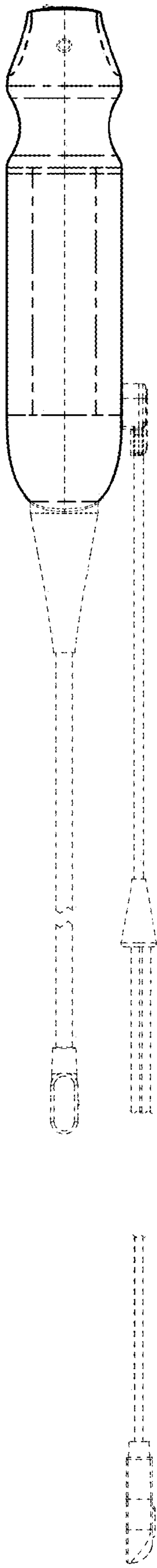


**FIG. 3**



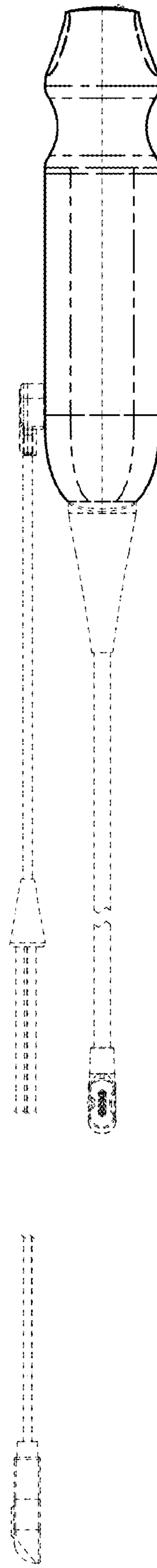
**FIG. 4**

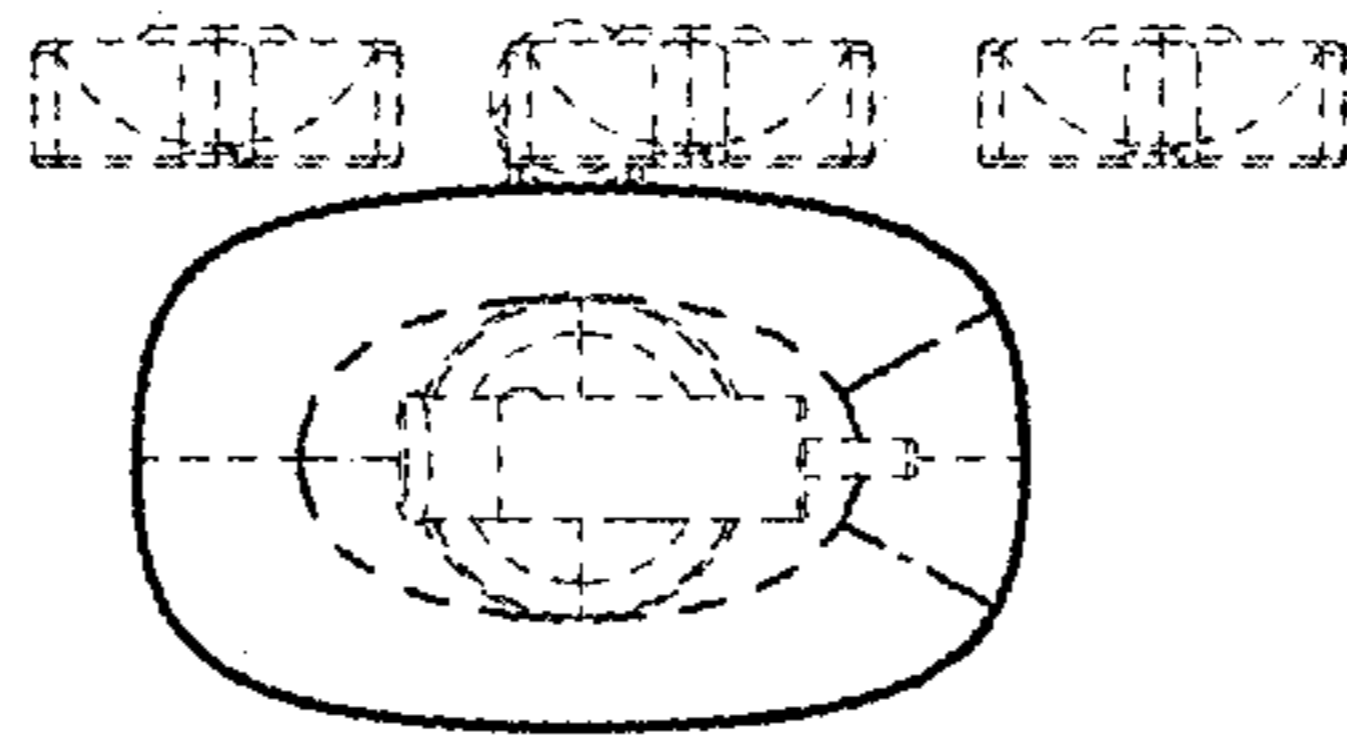




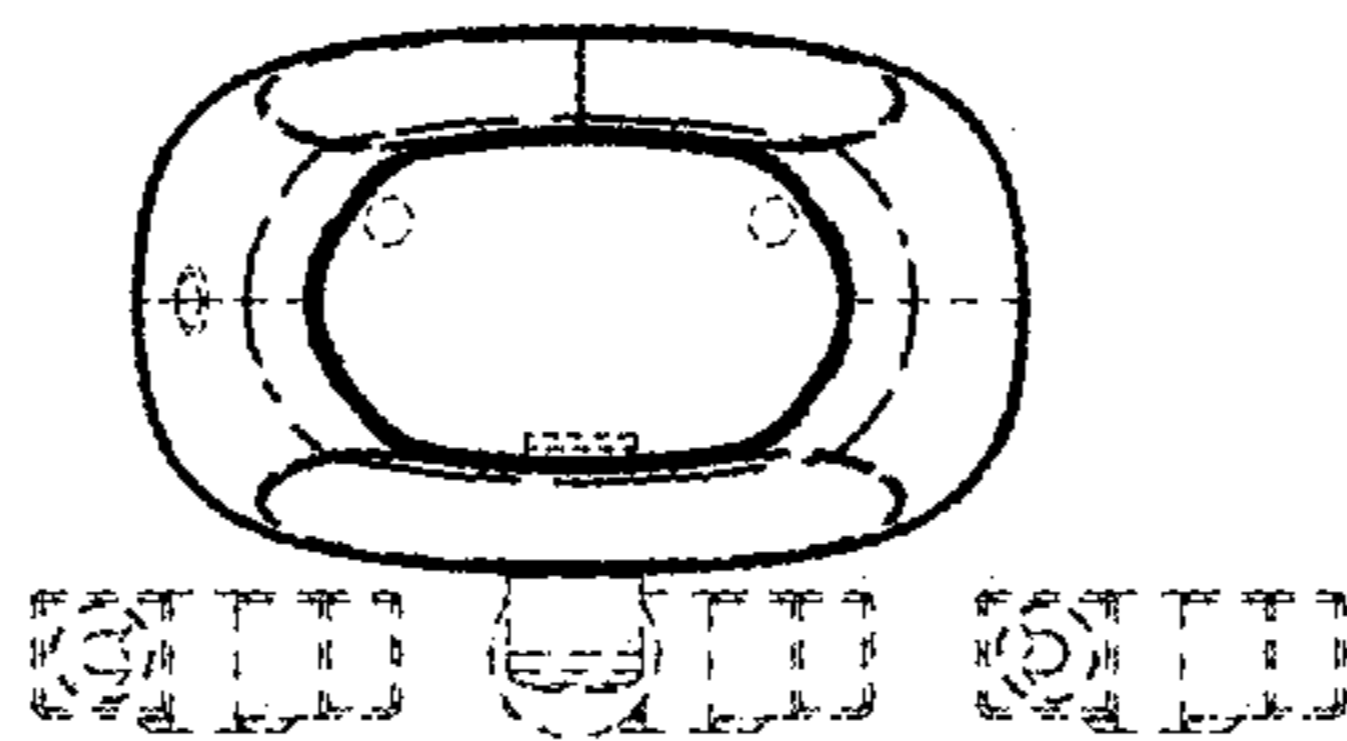
**FIG. 5**

**FIG. 6**





**FIG. 7**



**FIG. 8**