



US00D926993S

(12) **United States Design Patent** (10) **Patent No.:** **US D926,993 S**
Ruiz-Vela (45) **Date of Patent:** **** Aug. 3, 2021**

- (54) **LIGATING MEMBER FOR AN ORTHODONTIC BRACKET**
- (71) Applicant: **World Class Technology Corporation**, McMinnville, OR (US)
- (72) Inventor: **Alberto Ruiz-Vela**, Alta Loma, CA (US)
- (73) Assignee: **WORLD CLASS TECHNOLOGY CORPORATION**, McMinnville, OR (US)
- (**) Term: **15 Years**
- (21) Appl. No.: **29/690,839**
- (22) Filed: **May 10, 2019**

Related U.S. Application Data

- (63) Continuation-in-part of application No. 15/820,025, filed on Nov. 21, 2017, now abandoned.
- (51) **LOC (13) Cl.** **24-02**
- (52) **U.S. Cl.**
USPC **D24/180**
- (58) **Field of Classification Search**
USPC D24/176-182
CPC A61C 7/08; A61C 7/12; A61C 7/14; A61C 7/141; A61C 7/146; A61C 7/287
See application file for complete search history.

(56) **References Cited**

U.S. PATENT DOCUMENTS

- 2,549,528 A 4/1951 Russell
- 4,712,999 A 12/1987 Rosenberg
- 4,877,398 A * 10/1989 Kesling A61C 7/12
433/8
- 5,161,969 A 11/1992 Pospisil et al.
- 5,322,435 A 6/1994 Pletcher

(Continued)

FOREIGN PATENT DOCUMENTS

- EP 1723927 A1 11/2006
- EP 2705807 A1 3/2014

OTHER PUBLICATIONS

International Searching Authority, International Search Report and Written Opinion from PCT Application No. PCT/US2018/023403, dated Jun. 11, 2018, 9 pages.

(Continued)

Primary Examiner — Wan Laymon

(74) *Attorney, Agent, or Firm* — Stoel Rives LLP

(57) **CLAIM**

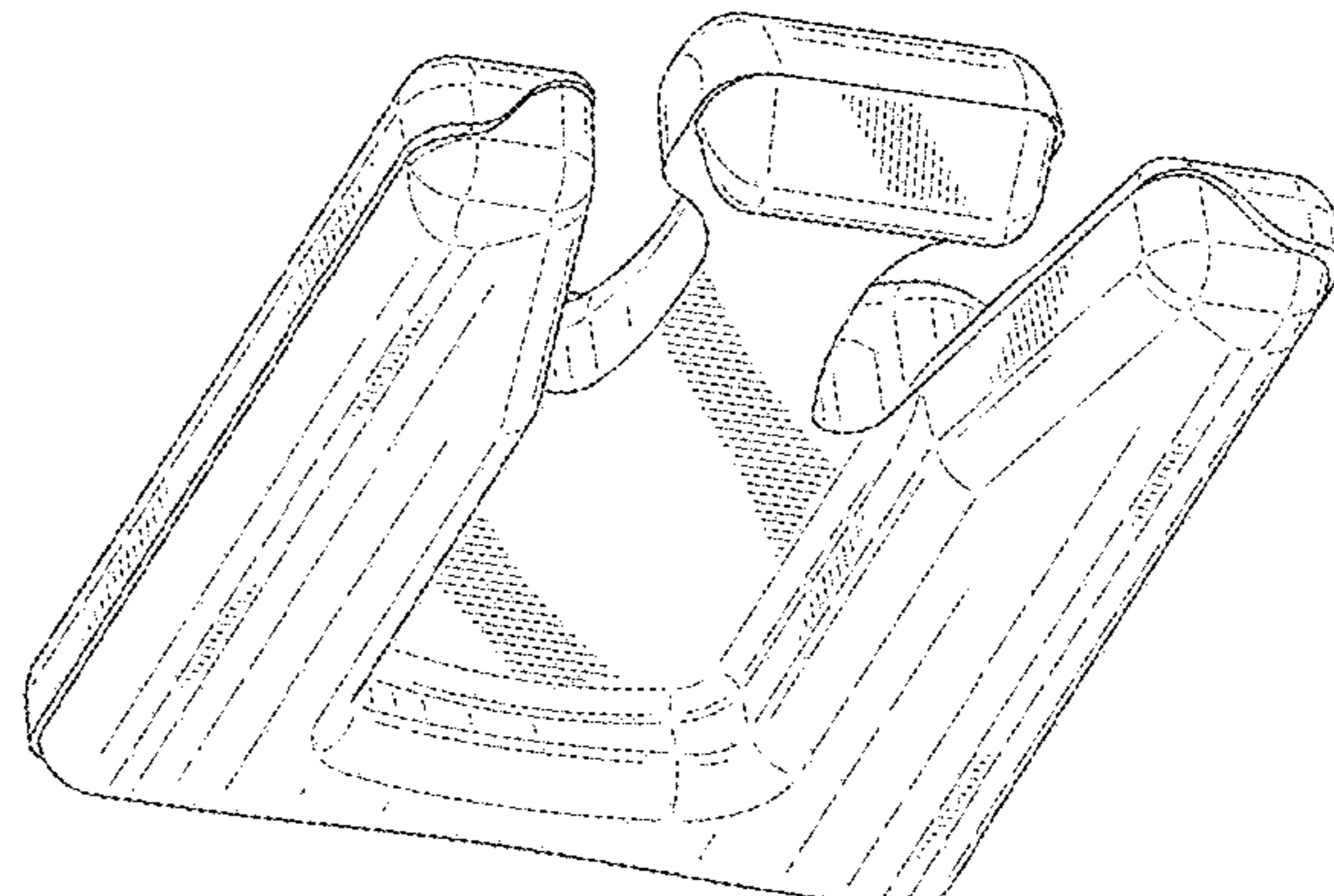
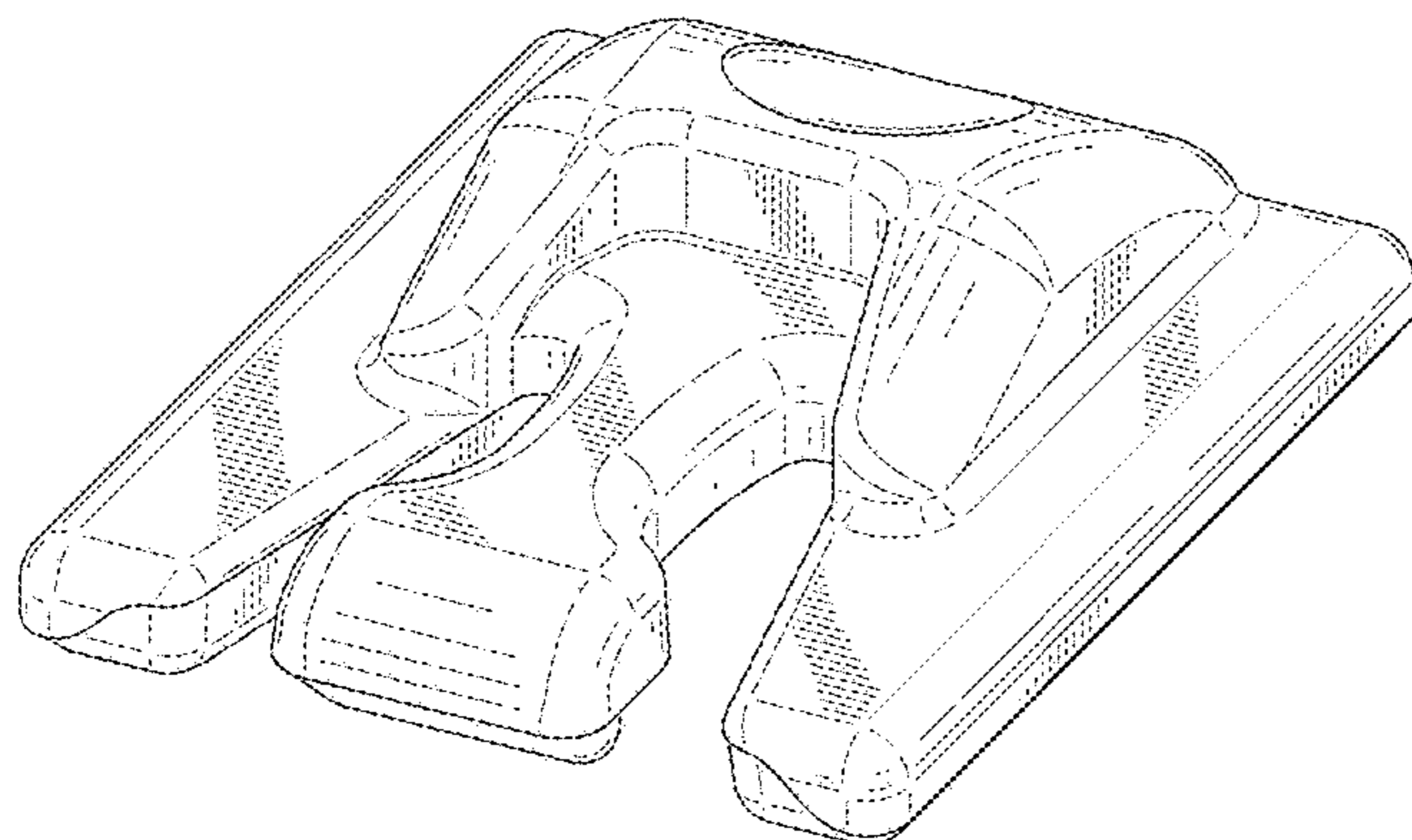
I claim the ornamental design for a ligating member for an orthodontic bracket, as shown and described.

DESCRIPTION

FIG. 1 is a top perspective view of a ligating member for an orthodontic bracket;
FIG. 2 is a bottom perspective view thereof;
FIG. 3 is a top view thereof;
FIG. 4 is a bottom view thereof;
FIG. 5 is a front end view thereof;
FIG. 6 is a rear end view thereof;
FIG. 7 is a left side view thereof;
FIG. 8 is a right side view thereof; and,
FIG. 9 is a cross-section view taken along line 9-9 of FIG. 5.

The broken lines in the figures depict unclaimed portions of the ligating member for an orthodontic bracket only and form no part of the claimed design. The designation of the views as front end, rear end, left side, right side, top, and bottom are for ease of discussion only and are not intended to limit the ligating member for an orthodontic bracket to one particular orientation. The ligating member for an orthodontic bracket may be oriented in other directions which would alter these designations.

1 Claim, 4 Drawing Sheets



(56)

References Cited

U.S. PATENT DOCUMENTS

5,395,237 A 3/1995 Pospisil et al.
 6,168,428 B1 1/2001 Voudouris
 7,267,545 B2 9/2007 Oda
 7,416,408 B2 * 8/2008 Farzin-Nia A61C 7/287
 433/10
 7,704,072 B2 * 4/2010 Damon A61C 7/287
 433/11
 7,780,443 B2 8/2010 Hagelganz et al.
 8,029,276 B1 10/2011 Lokar
 8,113,827 B2 * 2/2012 Farzin-Nia A61C 7/287
 433/14
 8,568,138 B2 * 10/2013 Farzin-Nia A61C 7/287
 433/10
 9,004,916 B2 4/2015 Ruiz-Vela et al.
 9,089,386 B2 7/2015 Hagelganz et al.
 9,492,247 B2 11/2016 Ruiz-Vela et al.
 10,660,729 B2 * 5/2020 Lopes A61C 7/287
 10,751,150 B2 * 8/2020 Oda A61C 7/287
 2004/0063059 A1 4/2004 Meckel
 2004/0259048 A1 12/2004 Balabanovsky

2006/0154196 A1 7/2006 Oda
 2006/0177790 A1 8/2006 Farzin-Nia et al.
 2007/0134610 A1 6/2007 Wyllie, II et al.
 2007/0178422 A1 8/2007 Voudouris
 2008/0311534 A1 * 12/2008 Farzin-Nia A61C 7/287
 433/11
 2009/0004617 A1 1/2009 Oda et al.
 2009/0004619 A1 1/2009 Oda et al.
 2010/0055636 A1 3/2010 Yeh et al.
 2010/0105000 A1 4/2010 Scommenga et al.
 2014/0141383 A1 5/2014 Hagelganz et al.
 2014/0141384 A1 * 5/2014 Hagelganz A61C 7/287
 433/11
 2016/0367340 A1 * 12/2016 Ward A61C 7/287
 2020/0078141 A1 * 3/2020 Ji A61C 7/287

OTHER PUBLICATIONS

European Patent Office, Extended European Search Report for Application 18770734.4, dated Oct. 20, 2020, 7 pages.
 European Patent Office, Extended European Search Report for Application 18771177.5, dated Oct. 20, 2020, 7 pages.

* cited by examiner

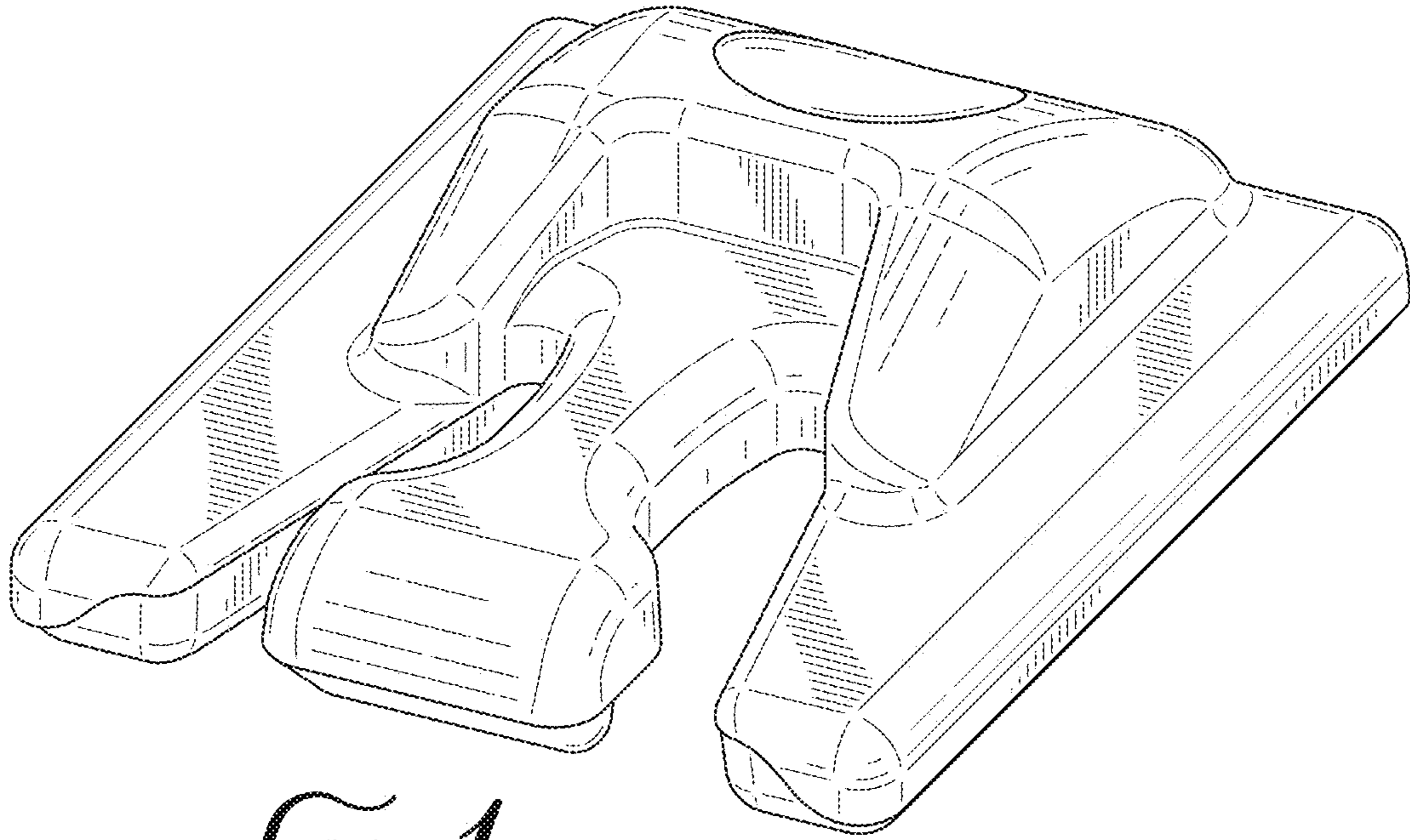


FIG. 1

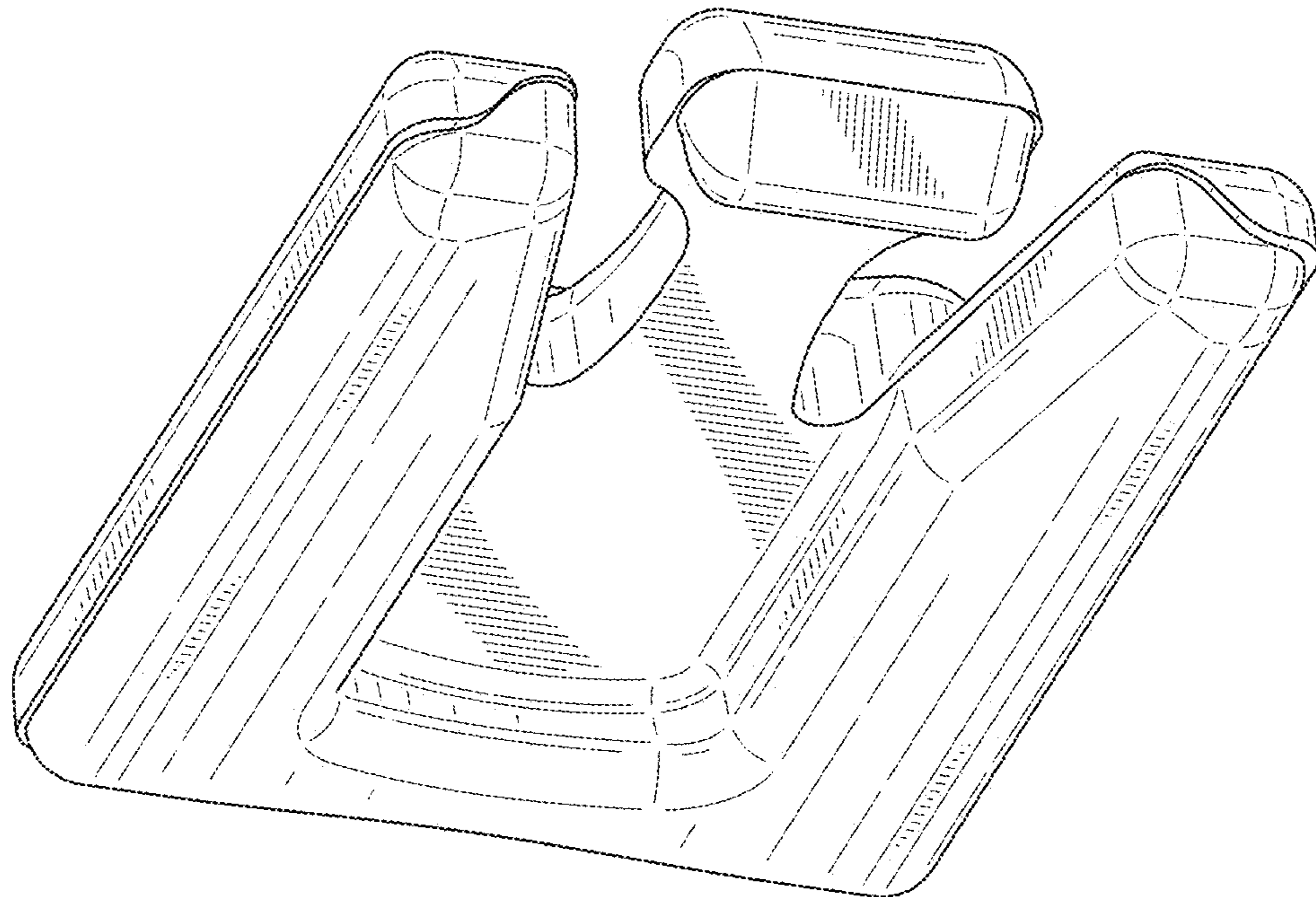


FIG. 2

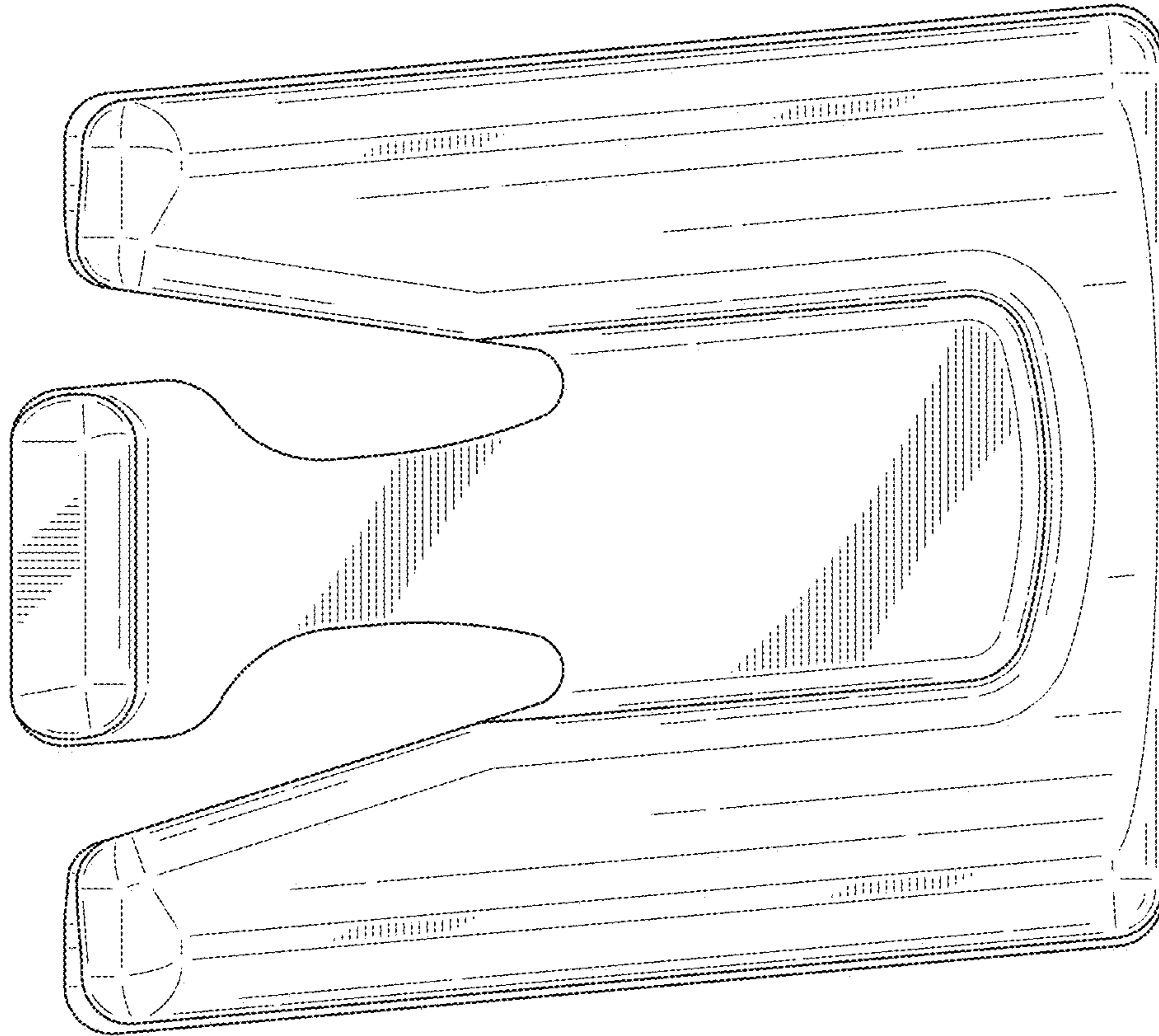


FIG. 4

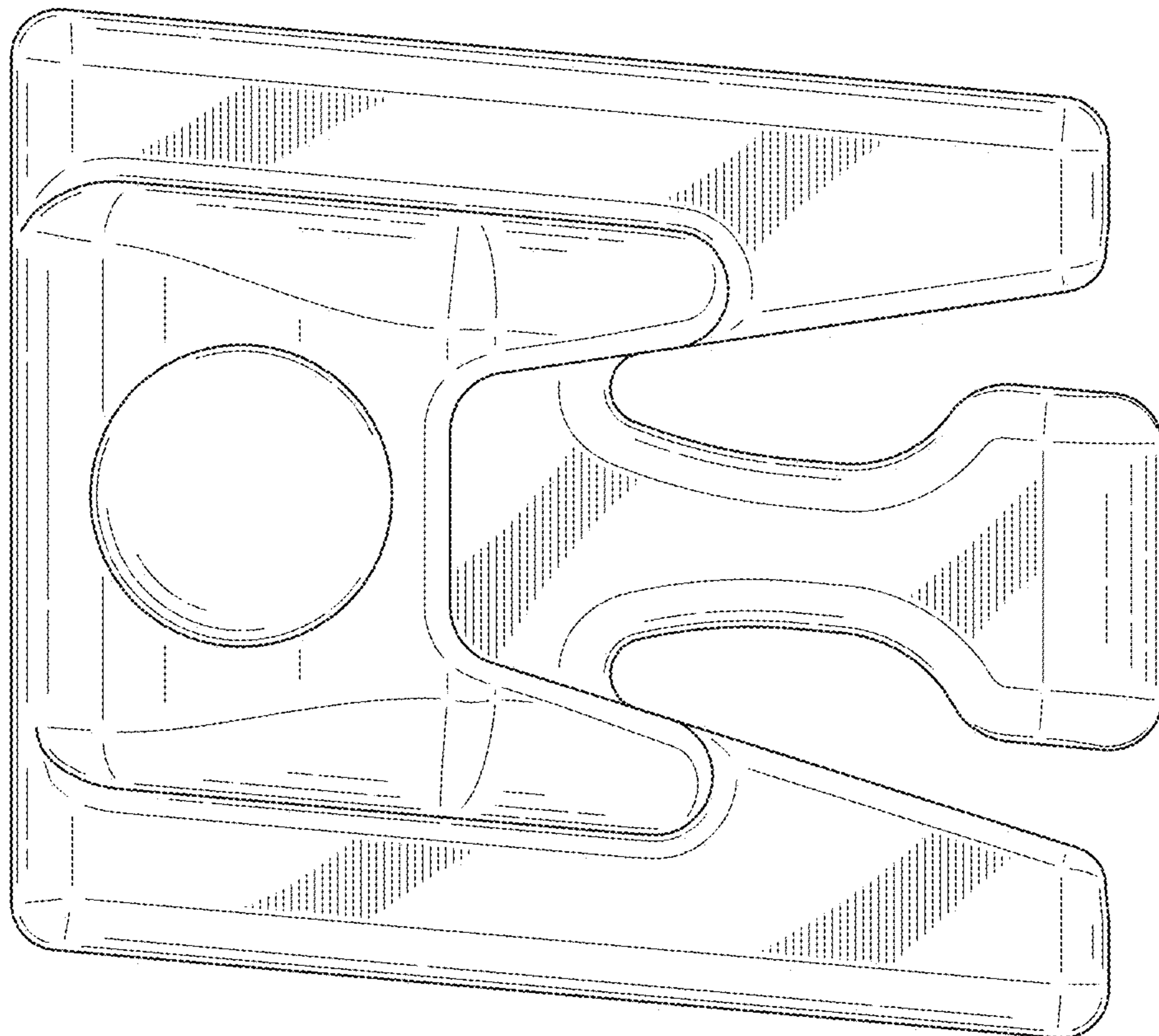
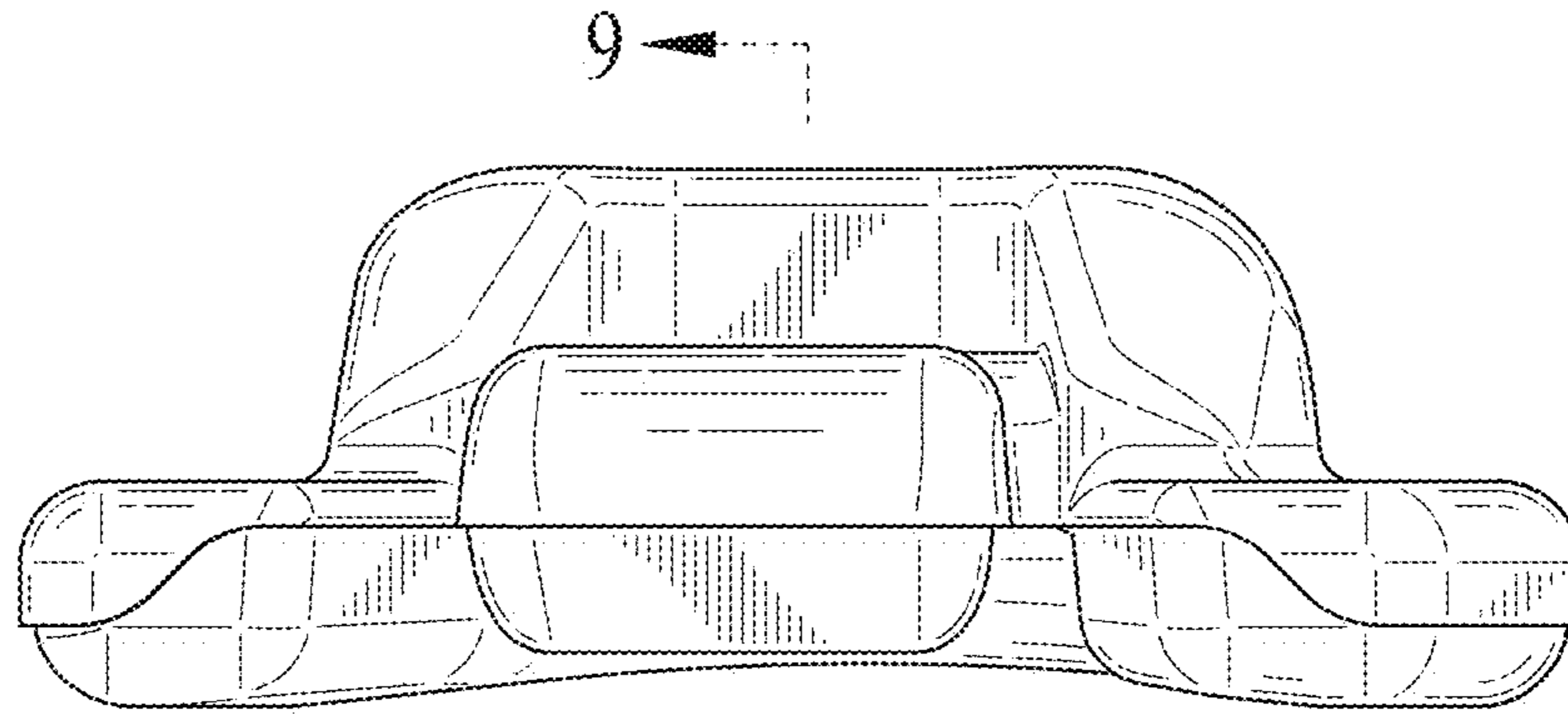


FIG. 3



9
FIG. 5

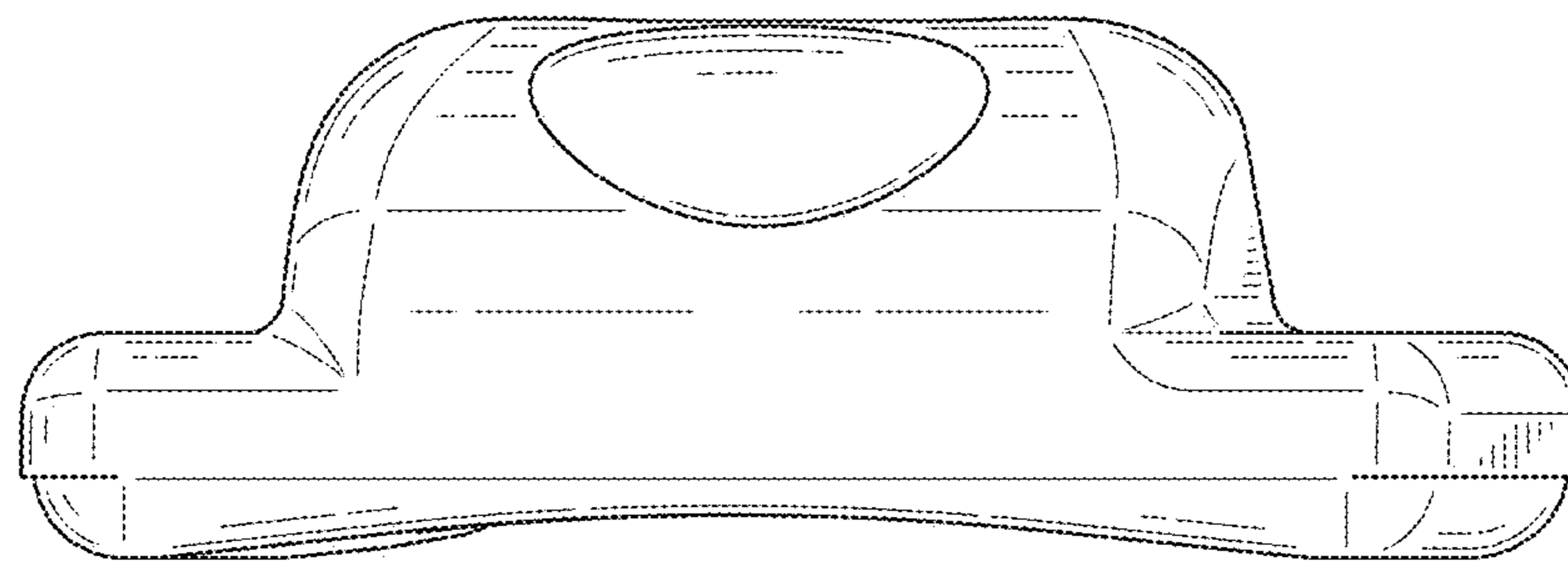


FIG. 6

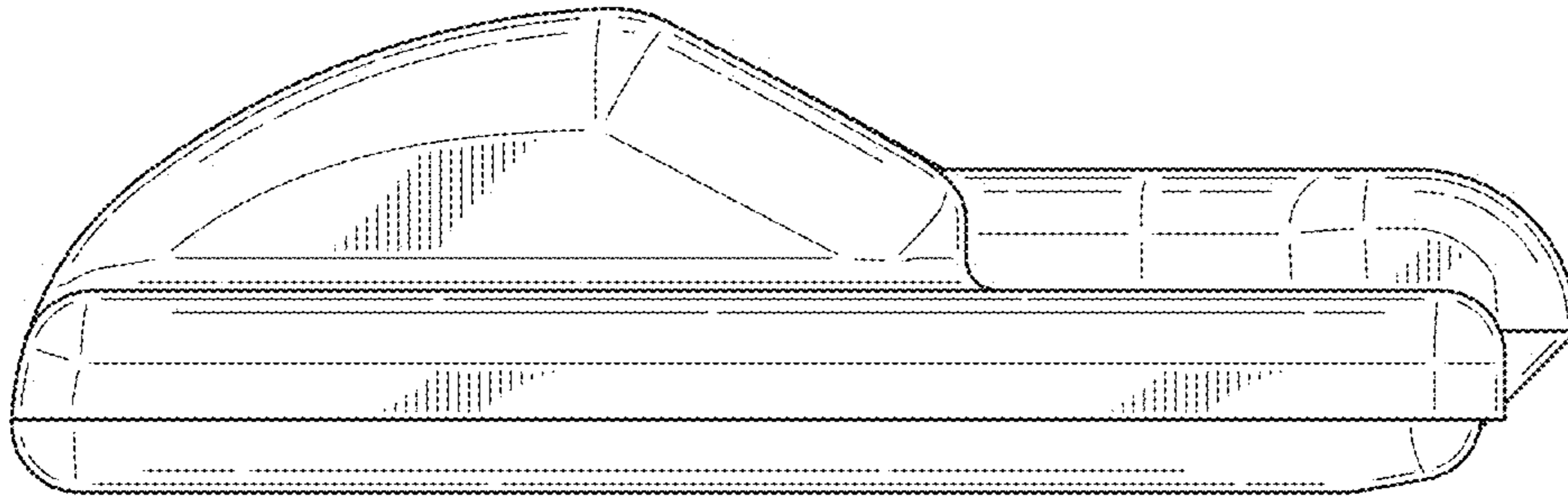


FIG. 7

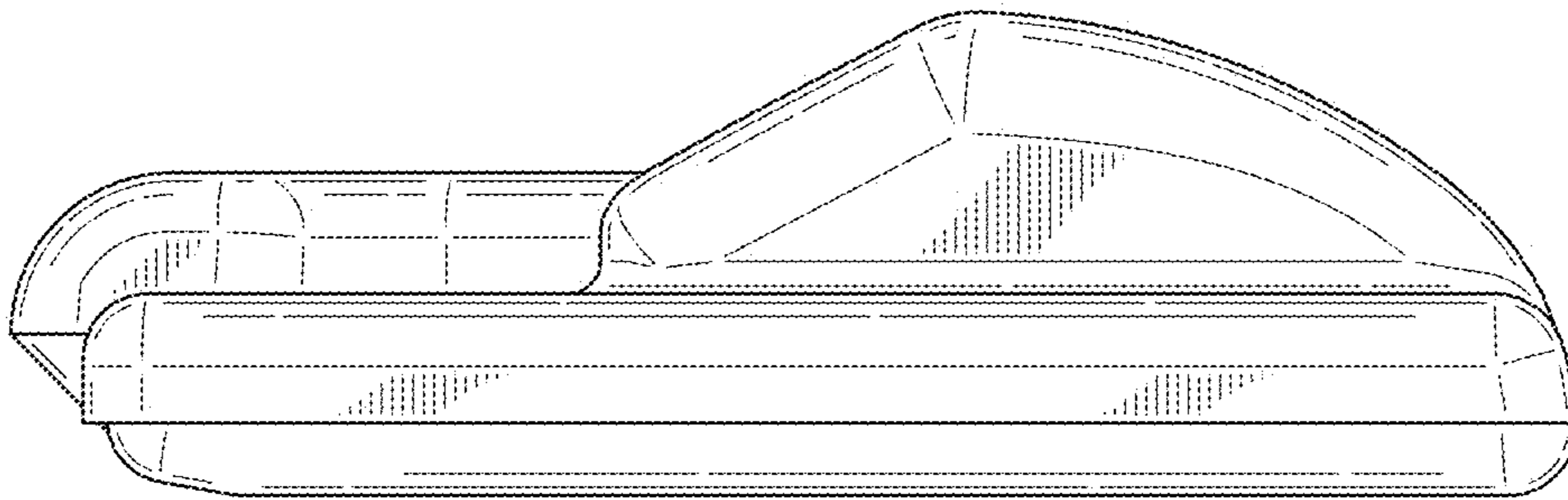


FIG. 8

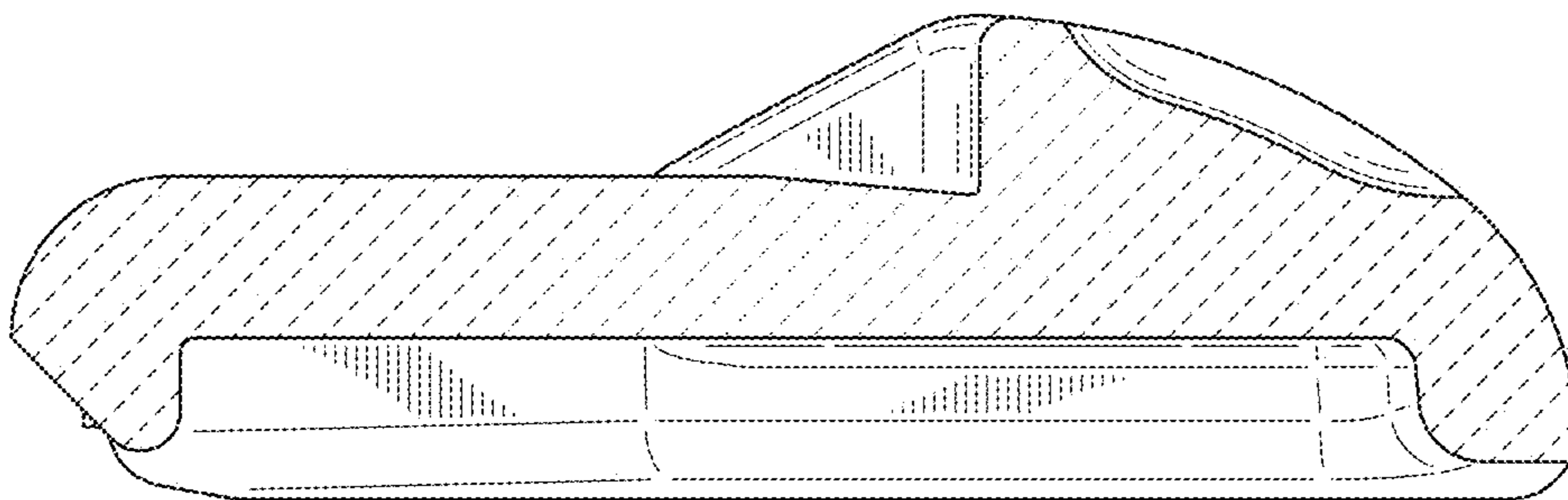


FIG. 9