



US00D926985S

(12) **United States Design Patent** (10) **Patent No.:** **US D926,985 S**  
**Reed et al.** (45) **Date of Patent:** **\*\* Aug. 3, 2021**

(54) **WEDGE-SHAPED IMPLANT HAVING RIDGES**

D598,105 S 8/2009 Krishna et al.  
7,588,600 B2 \* 9/2009 Benzel ..... A61F 2/4425  
606/279  
D616,546 S \* 5/2010 Vraney ..... D24/155  
7,749,272 B2 \* 7/2010 Robie ..... A61L 27/08  
623/17.11

(71) Applicant: **LifeNet Health**, Virginia Beach, VA (US)

(72) Inventors: **Lindsay Reed**, Virginia Beach, VA (US); **Andy Pritchard**, Virginia Beach, VA (US); **Dennis Phelps**, Chesapeake, VA (US)

D623,750 S 9/2010 Duffield et al.  
D691,272 S 10/2013 Dacosta et al.  
D720,456 S 12/2014 Dacosta et al.  
D720,457 S 12/2014 Bono et al.  
D790,704 S 6/2017 Yang  
D829,909 S 10/2018 Horton

(73) Assignee: **Lifenet Health**, Virginia Beach, VA (US)

(Continued)

(\*\*) Term: **15 Years**

**OTHER PUBLICATIONS**

(21) Appl. No.: **29/763,318**

Entire patent prosecution history of U.S. Appl. No. 29/639,234, filed Mar. 5, 2018, entitled, "Wedge-Shaped Implant having Ridges."

(22) Filed: **Dec. 22, 2020**

*Primary Examiner* — Charles D Hanson

(74) *Attorney, Agent, or Firm* — RatnerPrestia

**Related U.S. Application Data**

(62) Division of application No. 29/639,234, filed on Mar. 5, 2018.

(51) **LOC (13) Cl.** ..... **24-03**

(52) **U.S. Cl.**  
USPC ..... **D24/155**

(57) **CLAIM**

The ornamental design for a wedge-shaped implant having ridges, as shown and described.

(58) **Field of Classification Search**

USPC ..... D24/155  
CPC ..... A61F 2/4611; A61F 2/442; A61F 2/447;  
A61F 2220/0025; A61F 2310/00023;  
A61F 2310/00017; A61F 2002/4475;  
A61F 2002/30841; A61F 2002/2835;  
A61F 2002/30904; A61F 2002/30785;  
A61F 2002/443; A61F 2002/30578

**DESCRIPTION**

See application file for complete search history.

FIG. 1 is an isometric view of a wedge-shaped implant having ridges;  
FIG. 2 is a top plan view thereof;  
FIG. 3 is a front elevation view thereof;  
FIG. 4 is a rear elevation view thereof;  
FIG. 5 is an elevation view thereof taken from the right side;  
FIG. 6 is an elevation view thereof taken from the left side;  
and,  
FIG. 7 is a bottom plan view thereof.

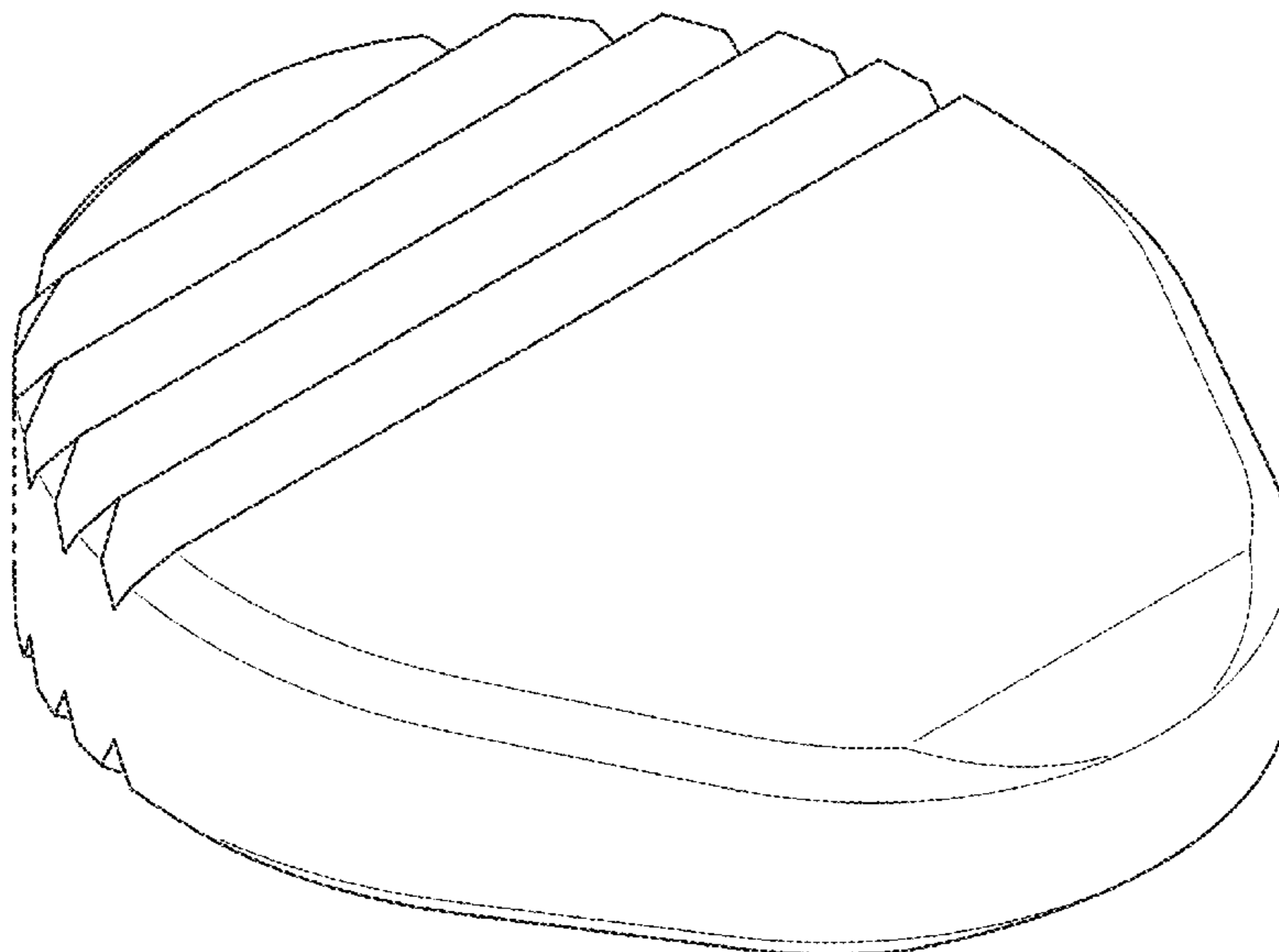
(56) **References Cited**

**U.S. PATENT DOCUMENTS**

D553,742 S \* 10/2007 Park ..... D24/155  
D580,552 S \* 11/2008 Cohen ..... D24/155

The broken line showing of the wedge-shaped implant having ridges is for the purpose of illustrating portions of the wedge-shaped implant having ridges and forms no part of the claimed design.

**1 Claim, 7 Drawing Sheets**



(56)

**References Cited**

U.S. PATENT DOCUMENTS

D850,620	S	6/2019	Tyber	
D857,201	S	8/2019	Predick et al.	
10,470,900	B2 *	11/2019	Dacosta .....	A61F 2/4606
D884,180	S *	5/2020	DaCosta .....	D24/155
2006/0100705	A1 *	5/2006	Puno .....	A61F 2/30771
				623/17.11
2009/0132046	A1	5/2009	Larche	
2015/0335367	A1	11/2015	Austin et al.	

\* cited by examiner

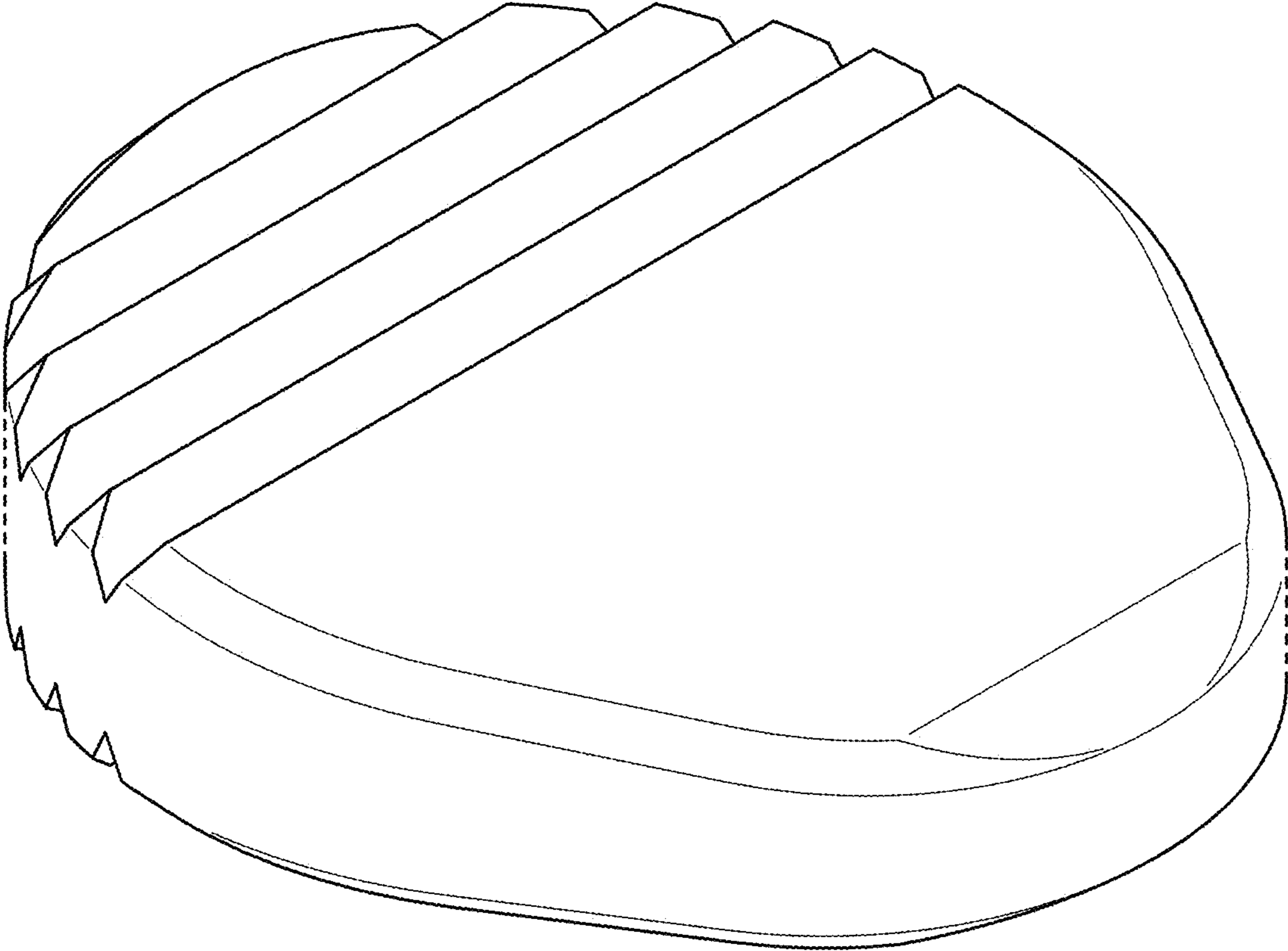


FIG. 1

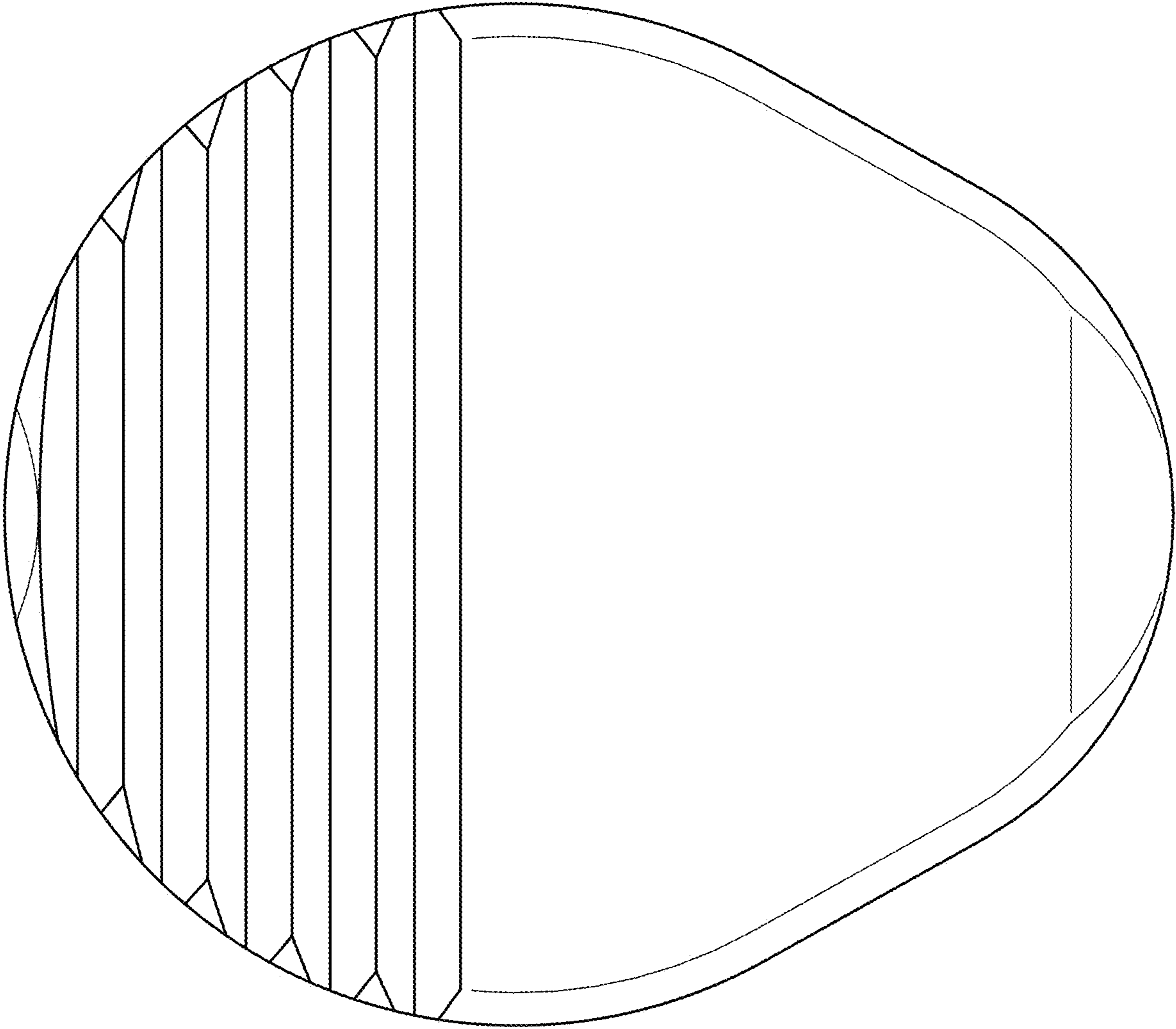


FIG. 2

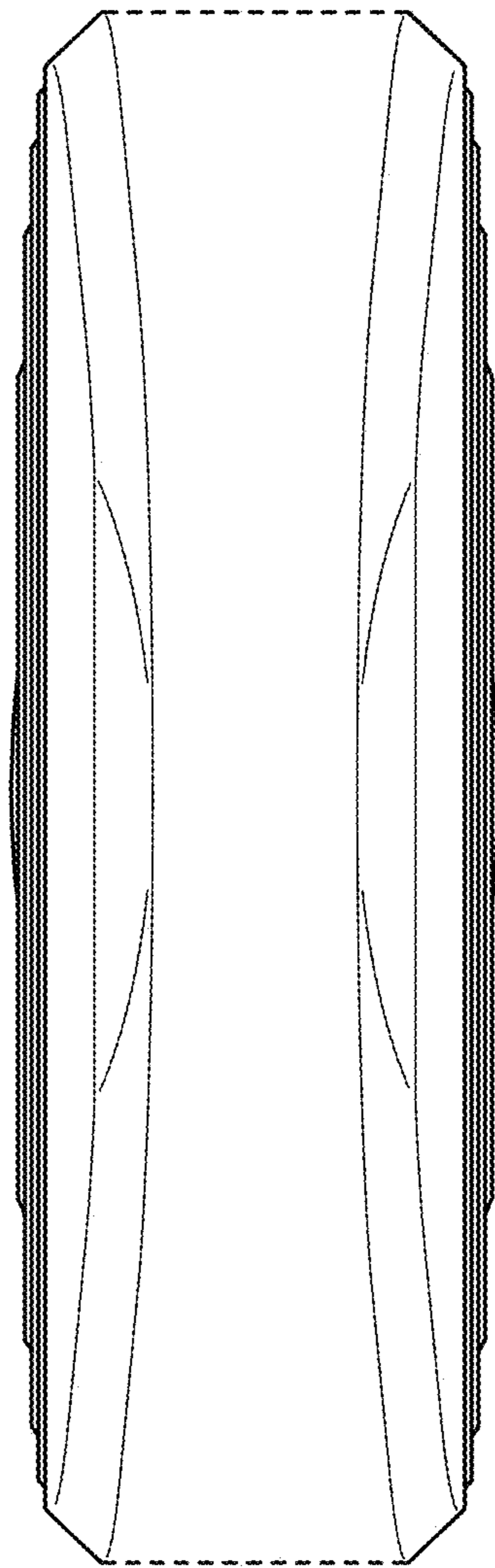


FIG. 3

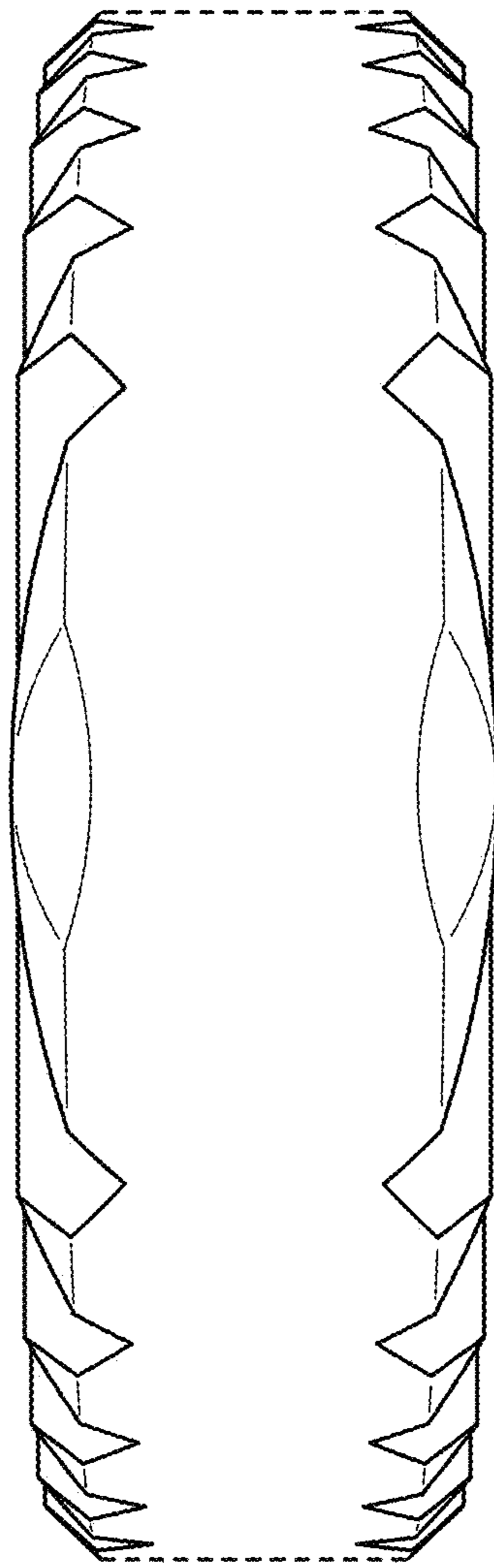


FIG. 4

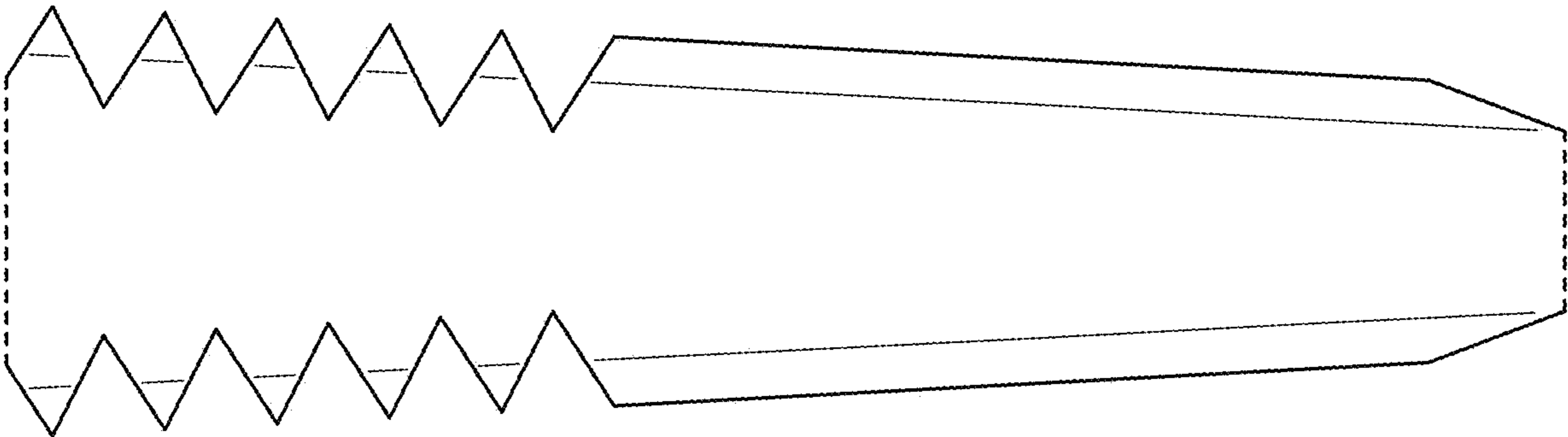


FIG. 5

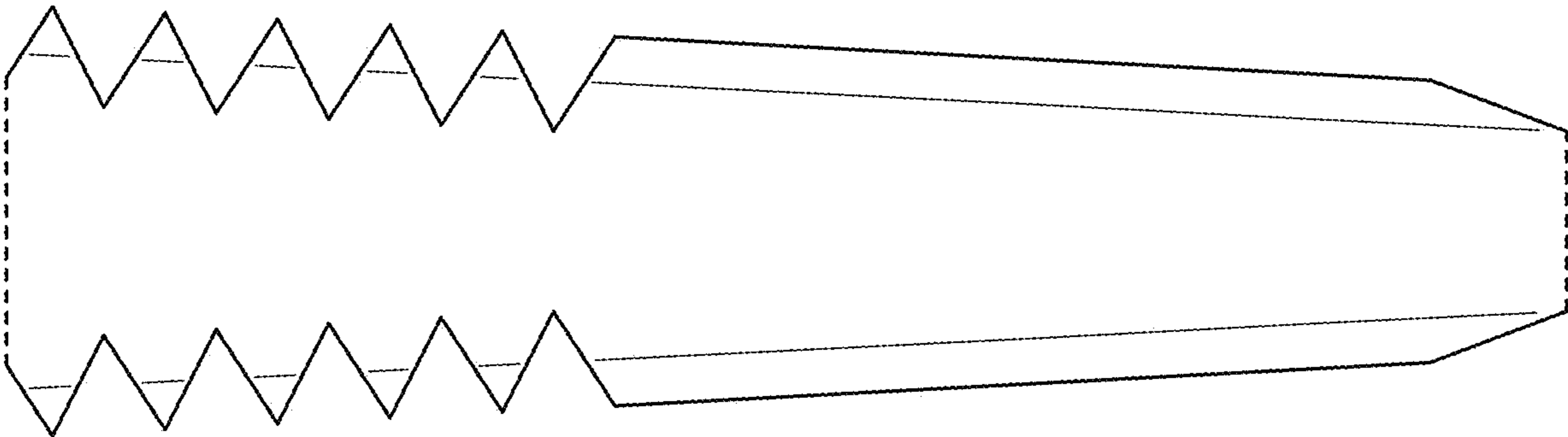


FIG. 6



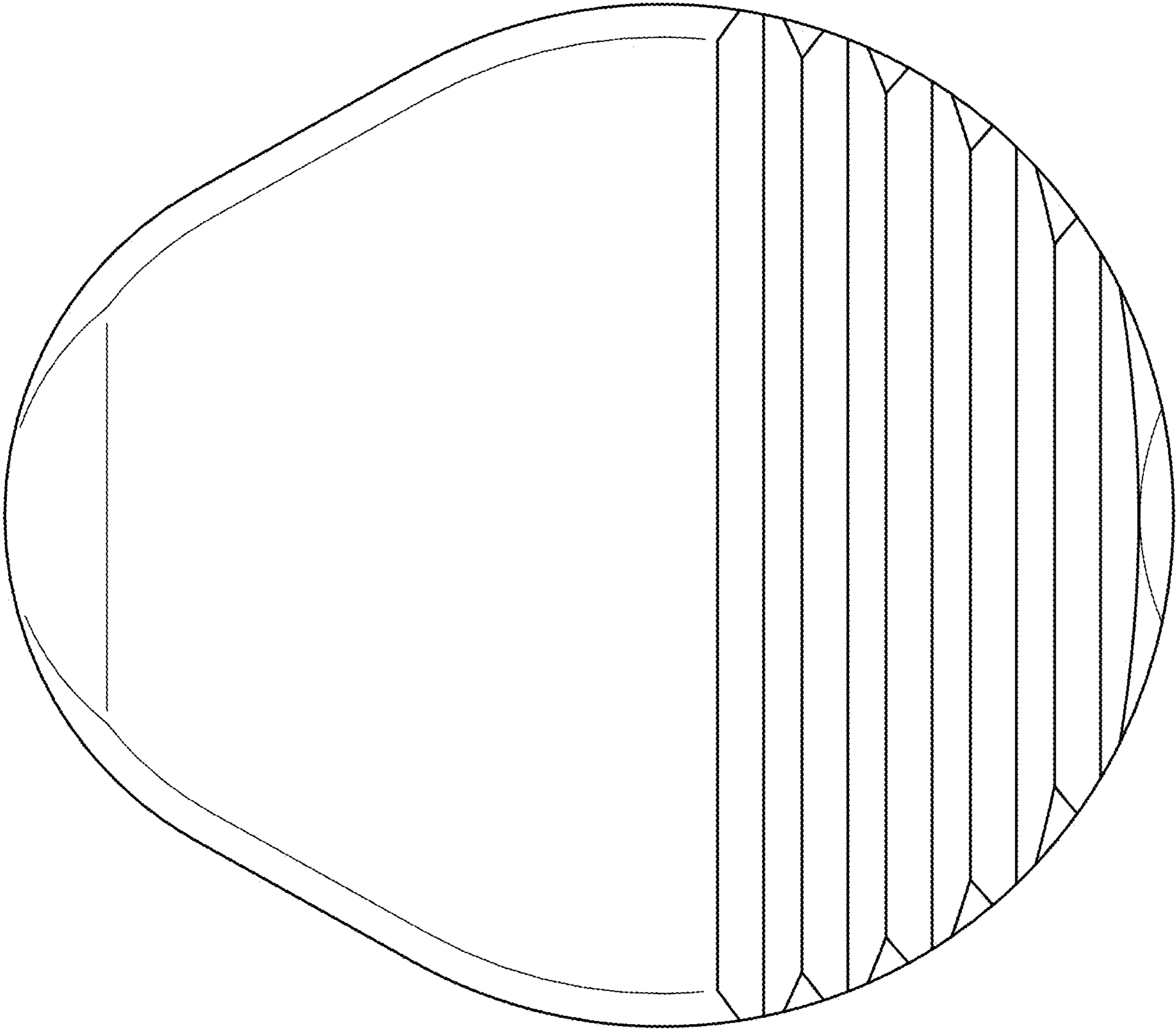


FIG. 7