



US00D926977S

(12) **United States Design Patent** (10) **Patent No.:** **US D926,977 S**
Kubon et al. (45) **Date of Patent:** **** Aug. 3, 2021**

- (54) **COUPLING FOR PIPES AND HOSES**
- (71) Applicant: **Scholly Fiberoptic GmbH**, Denzlingen (DE)
- (72) Inventors: **Massimo Kubon**, Emmendingen (DE); **Jenny Doan**, Freiburg (DE); **Florian Schafer**, Emmendingen (DE); **Mateusz Cichosz**, Freiburg (DE); **Johannes Wickersheim**, Malterdingen (DE); **Jochen Dietrich**, Elzach (DE)
- (73) Assignee: **Schöly Fiberoptic GmbH**, Denzlingen (DE)
- (**) Term: **15 Years**
- (21) Appl. No.: **29/736,627**
- (22) Filed: **Jun. 2, 2020**

Related U.S. Application Data

- (62) Division of application No. 29/621,609, filed on Oct. 10, 2017, now Pat. No. Des. 892,318.

Foreign Application Priority Data

- Apr. 13, 2017 (EM) 003855766-0003
- Apr. 13, 2017 (EM) 003855766-0008

- (51) **LOC (13) Cl.** **24-02**
- (52) **U.S. Cl.**
USPC **D24/129**

- (58) **Field of Classification Search**
USPC D24/127-131, 112-114, 133, 186;
606/181, 185; 604/264, 523-528, 272,
604/187, 158, 164.01-164.11, 181, 184,
604/227; 600/101, 139, 143;
128/200.24, 207.14, 207.15
CPC .. A61M 25/065; A61M 5/42; A61M 25/0612;
A61M 25/00; A61M 39/00; A61M 27/00;
A61M 25/0043; A61M 25/0067; A61M
25/0097; A61F 2/958

See application file for complete search history.

(56) **References Cited**

U.S. PATENT DOCUMENTS

5,730,753	A *	3/1998	Morita	A61B 5/150022
				600/583
D625,003	S *	10/2010	Stephens	D24/129
8,246,605	B2 *	8/2012	Valaie	A61M 39/0606
				604/533
D736,914	S *	8/2015	Schultz	D24/129
D750,775	S *	3/2016	Carrel	D24/130
D820,980	S *	6/2018	Maurice	D24/129
D830,523	S *	10/2018	Vranish	D23/262
D830,524	S *	10/2018	Vranish	D23/262
D834,712	S *	11/2018	Gulliver	D24/129
D838,350	S *	1/2019	Downs	F16L 37/0841
				D23/262
D838,363	S *	1/2019	Katagiri	D24/127
D841,499	S *	2/2019	Drewes	D10/81
D842,462	S *	3/2019	Guala	D24/129

* cited by examiner

Primary Examiner — David G Muller

(74) *Attorney, Agent, or Firm* — Volpe Koenig

(57) **CLAIM**

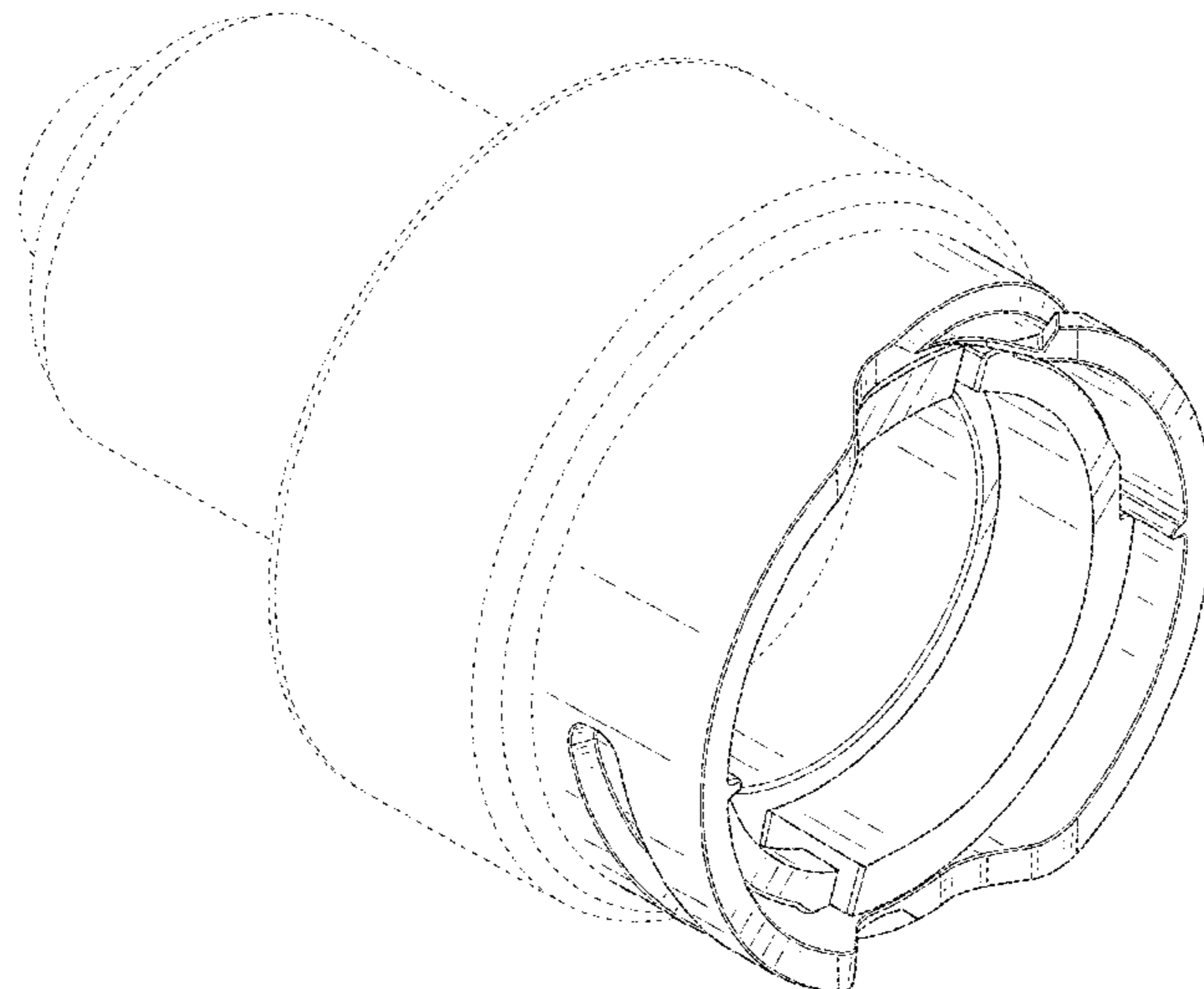
The ornamental design for a coupling for pipes and hoses, as shown and described.

DESCRIPTION

FIG. 1 is a front elevational view of a coupling for pipes and hoses in accordance with our design;
FIG. 2 is a right side elevational view thereof;
FIG. 3 is a left side elevational view thereof;
FIG. 4 is a bottom plan view thereof;
FIG. 5 is a top plan view thereof; and,
FIG. 6 is a perspective view thereof.

The broken lines represent portions of the coupling for pipes and hoses that form no part of the claimed design.

1 Claim, 6 Drawing Sheets



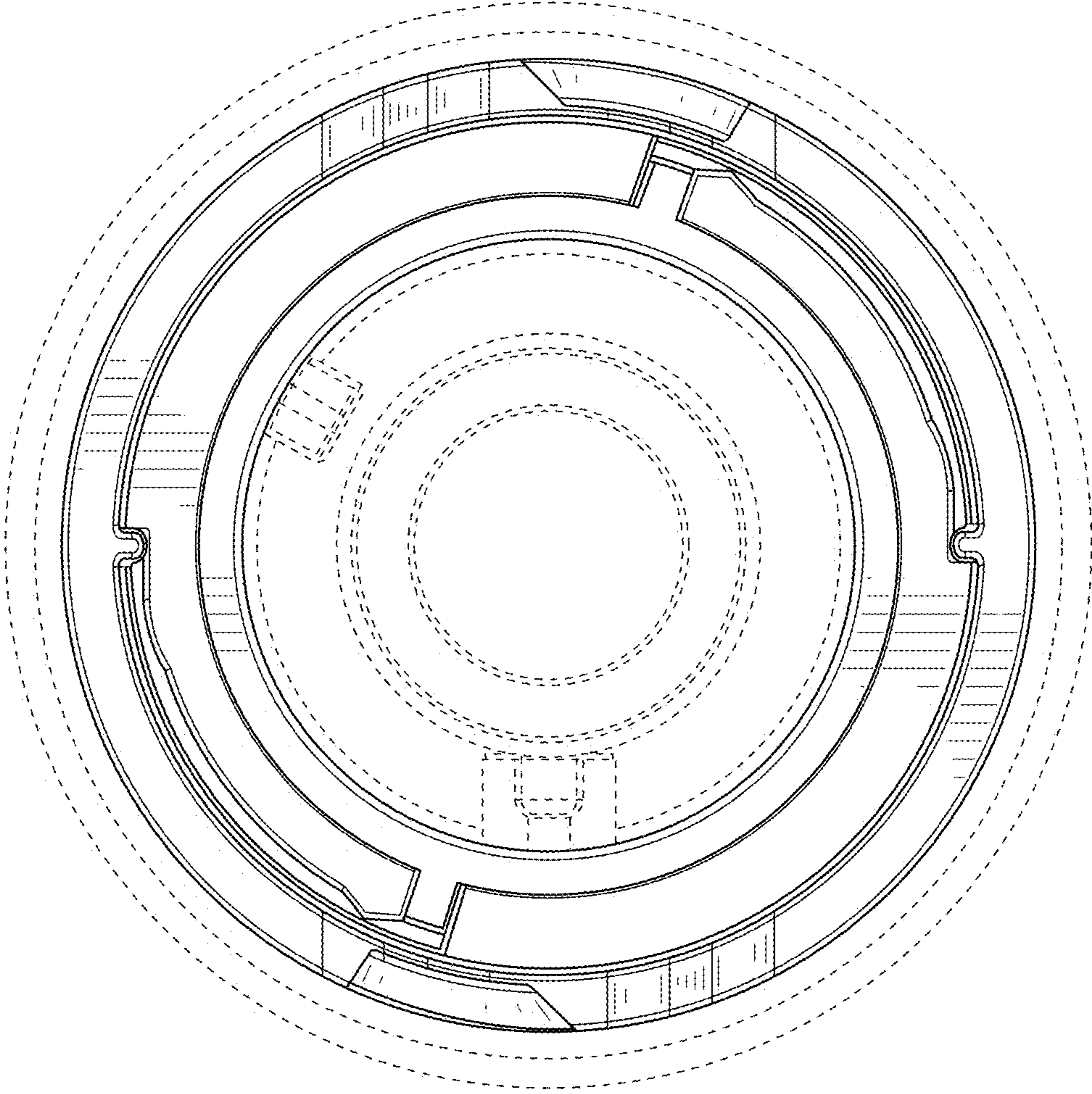


FIG. 1

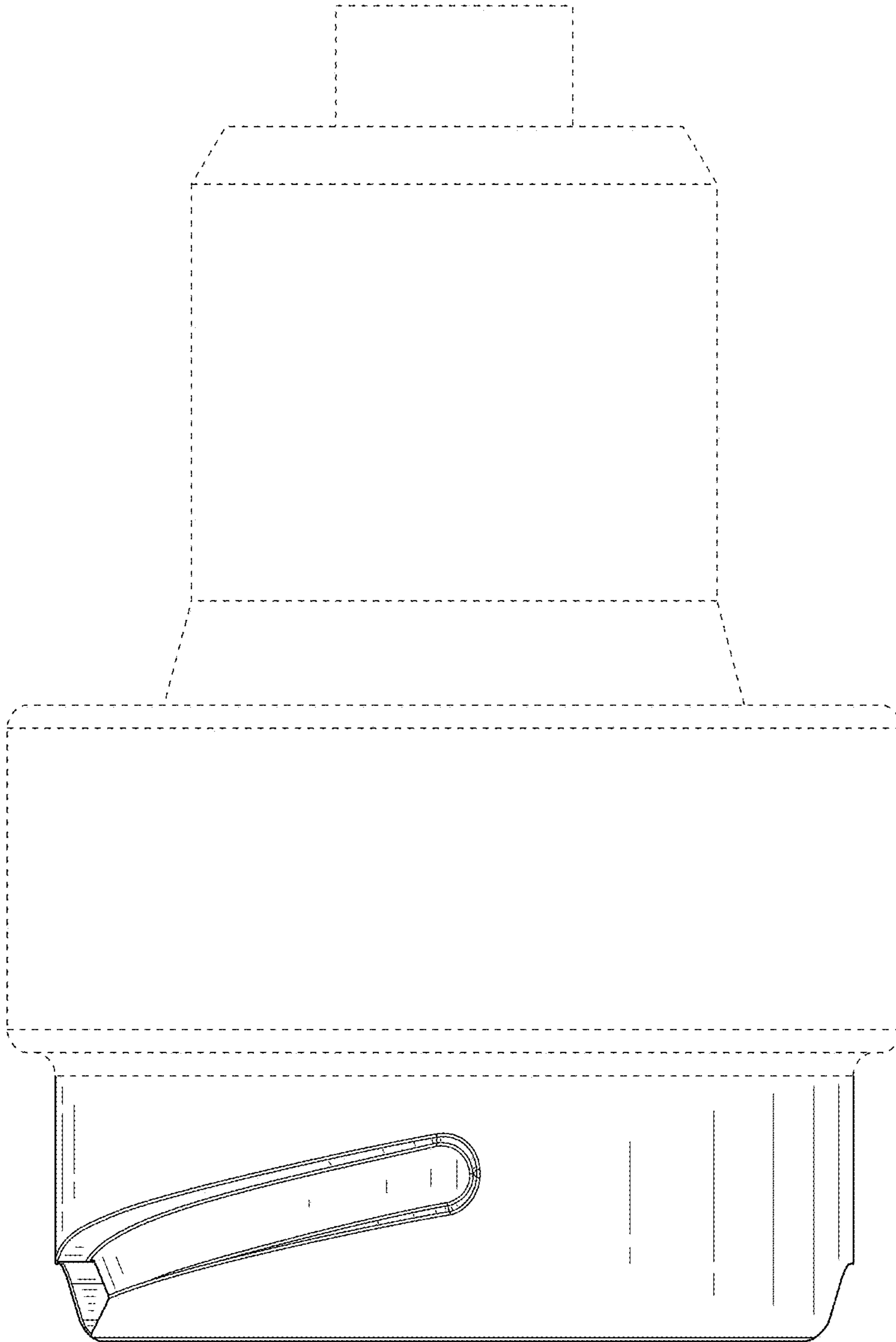


FIG. 2

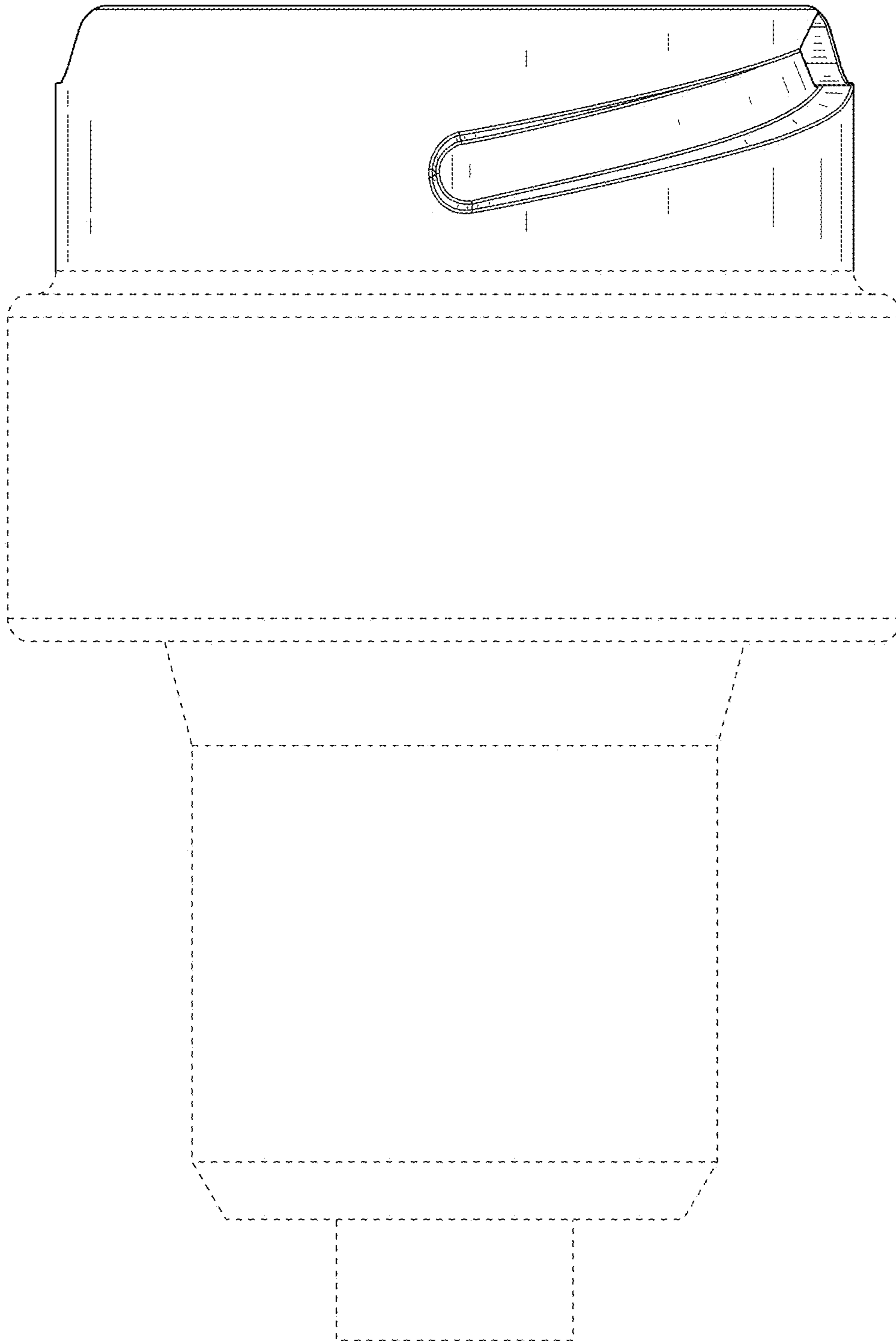


FIG. 3

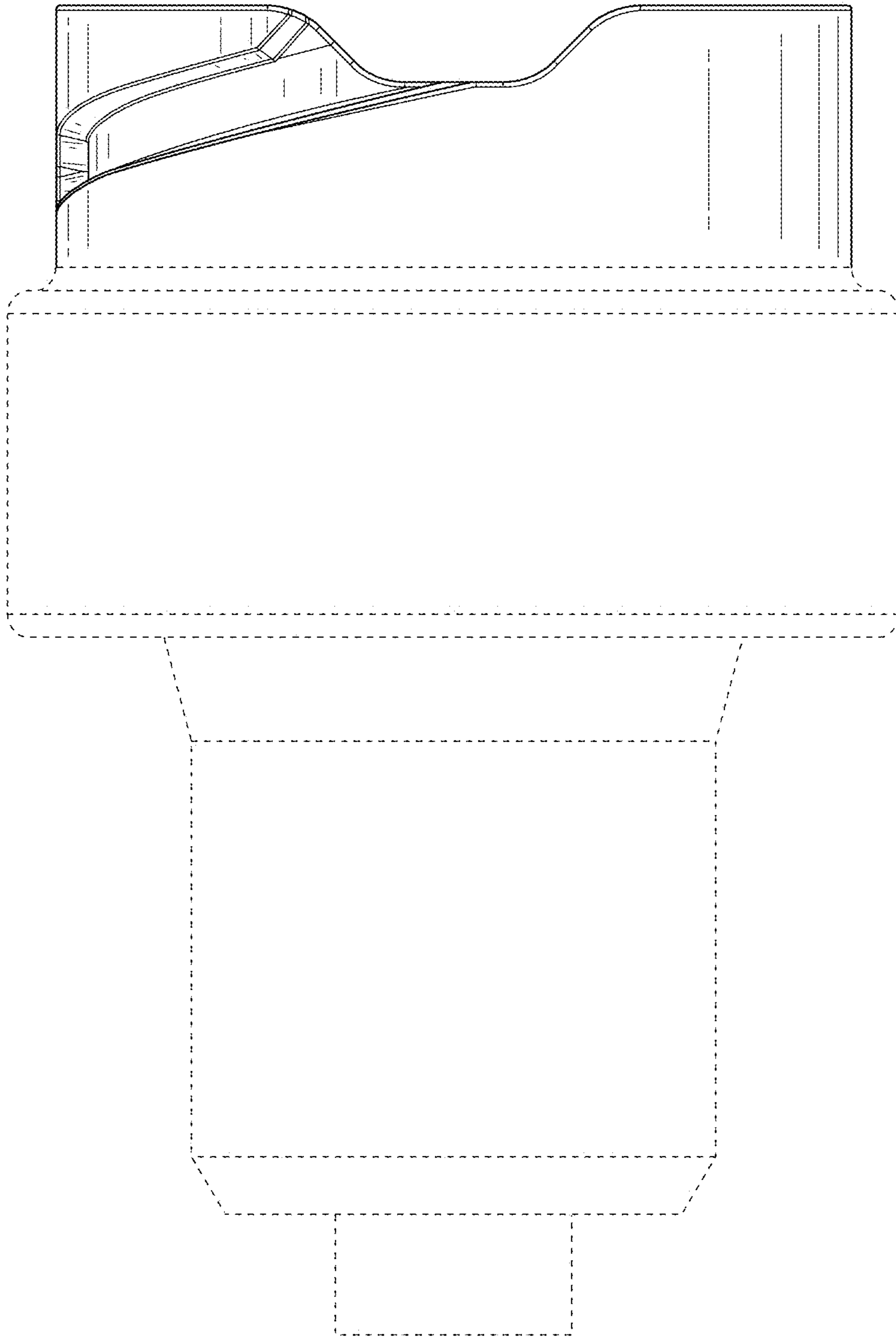


FIG. 4

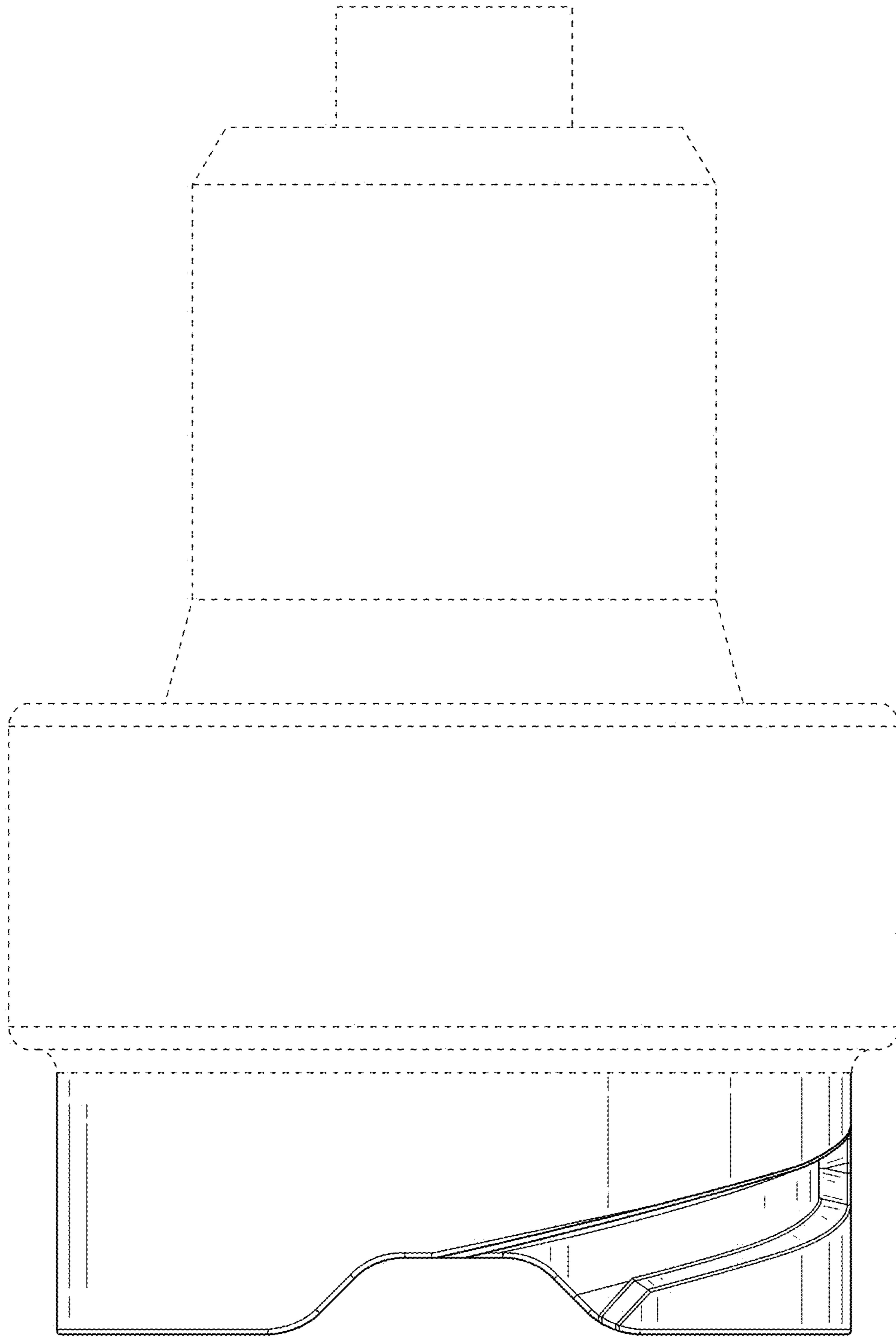


FIG. 5

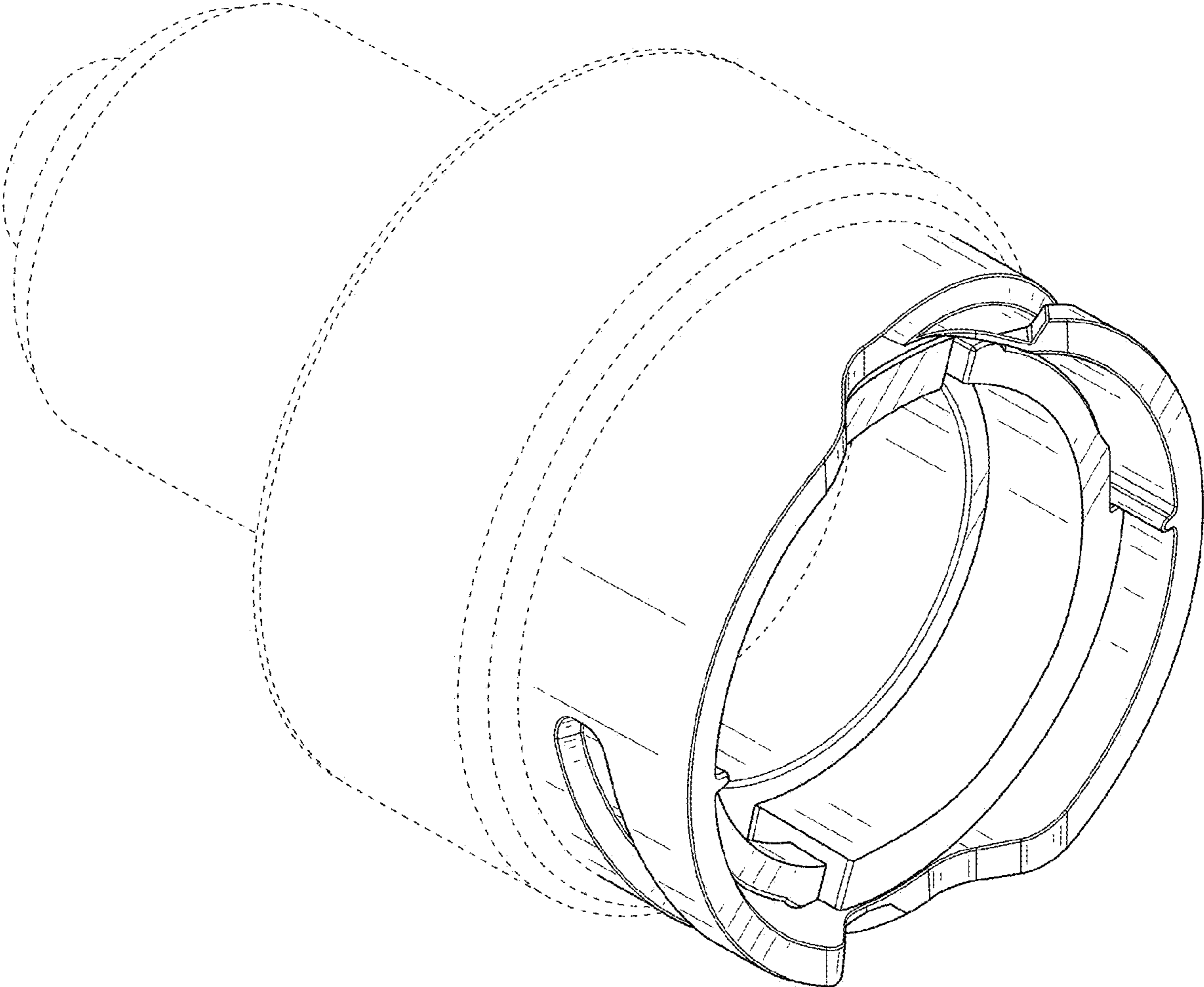


FIG. 6