



US00D926976S

(12) **United States Design Patent**  
**Phillips et al.**

(10) **Patent No.:** **US D926,976 S**

(45) **Date of Patent:** **\*\* Aug. 3, 2021**

(54) **RETAINING COLLAR**

(71) Applicant: **Prodigy Instruments Pty Ltd**, Bondi Junction (AU)

(72) Inventors: **Matthew Phillips**, Sydney (AU);  
**Harry Shane Koopman**, Sydney (AU)

(73) Assignee: **Prodigy Instruments Pty Ltd.**, Bondi Junction (AU)

(\*\*) Term: **15 Years**

(21) Appl. No.: **29/713,152**

(22) Filed: **Nov. 14, 2019**

(30) **Foreign Application Priority Data**

May 14, 2019 (AU) ..... 201912611

(51) **LOC (13) Cl.** ..... **24-02**

(52) **U.S. Cl.**  
USPC ..... **D24/127**

(58) **Field of Classification Search**

USPC ..... D24/112-114, 108, 130, 127, 133, 186;  
606/181, 185; 604/264, 523-528, 272,  
604/164.01-164.11, 187, 93.01; 600/101,  
600/139, 143; 128/200.24, 207.14,  
128/207.15  
CPC .. A61M 25/065; A61M 5/42; A61M 25/0612;  
A61M 25/00; A61M 39/00; A61M 27/00;  
A61M 25/0043; A61M 25/0067; A61M  
25/0097; A61F 2/958

See application file for complete search history.

(56) **References Cited**

**U.S. PATENT DOCUMENTS**

D289,796 S \* 5/1987 Larkin ..... D24/224  
5,827,199 A \* 10/1998 Alexander ..... A61B 10/0233  
600/564

D496,101 S \* 9/2004 Davison ..... D24/112  
D540,944 S \* 4/2007 Guala ..... D24/108  
8,197,452 B2 \* 6/2012 Harding ..... A61M 39/045  
604/246  
D750,775 S \* 3/2016 Carrel ..... D24/130  
D805,164 S \* 12/2017 Norman ..... D23/259  
D830,524 S \* 10/2018 Vranish ..... D23/262  
D867,880 S \* 11/2019 Sacchetti ..... D9/440  
D901,005 S \* 11/2020 Guala ..... D24/112  
D903,858 S \* 12/2020 Concu ..... D24/113  
D904,605 S \* 12/2020 Shi ..... D24/130

\* cited by examiner

*Primary Examiner* — David G Muller

(74) *Attorney, Agent, or Firm* — McAndrews Held & Malloy, Ltd.

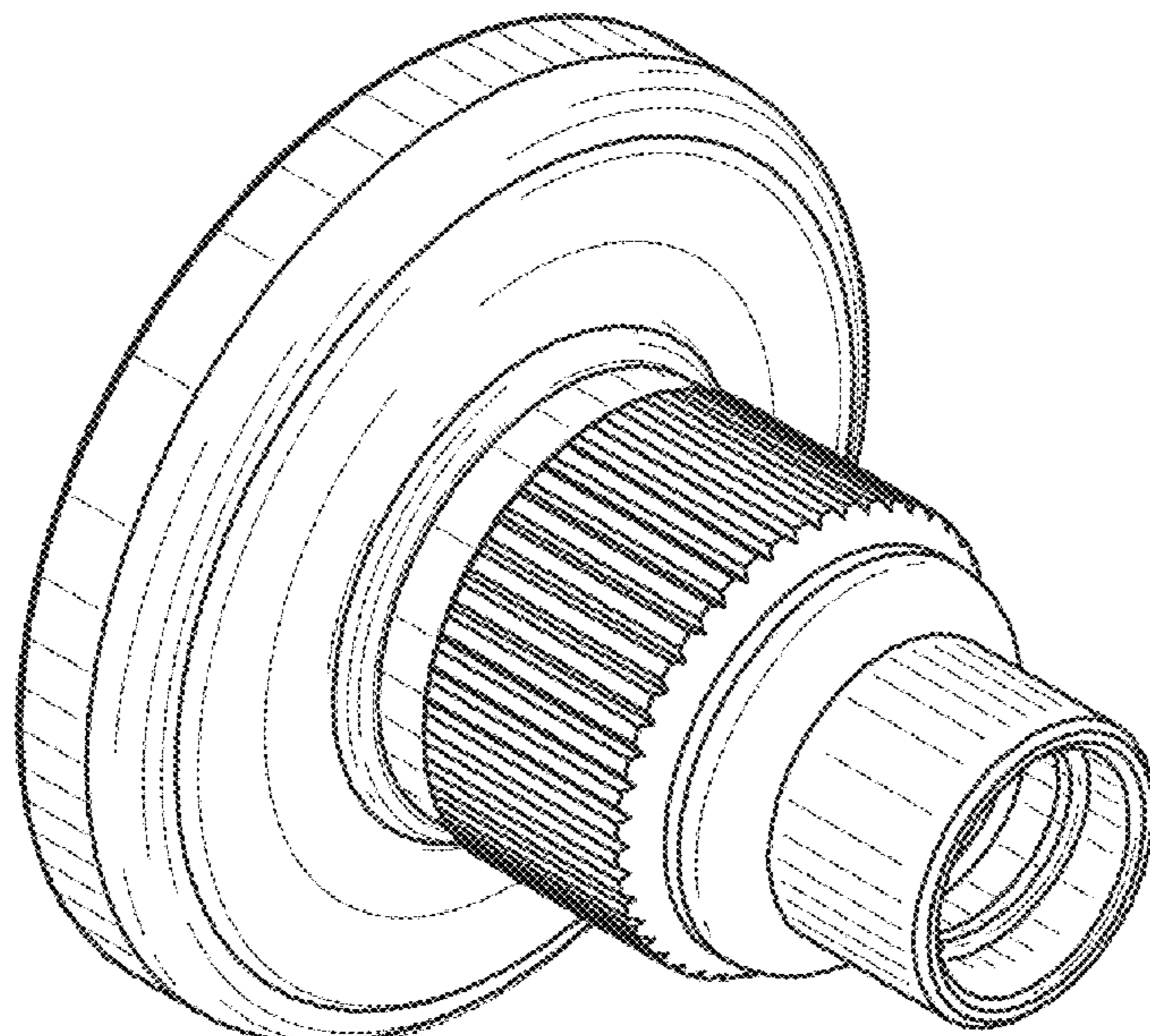
(57) **CLAIM**

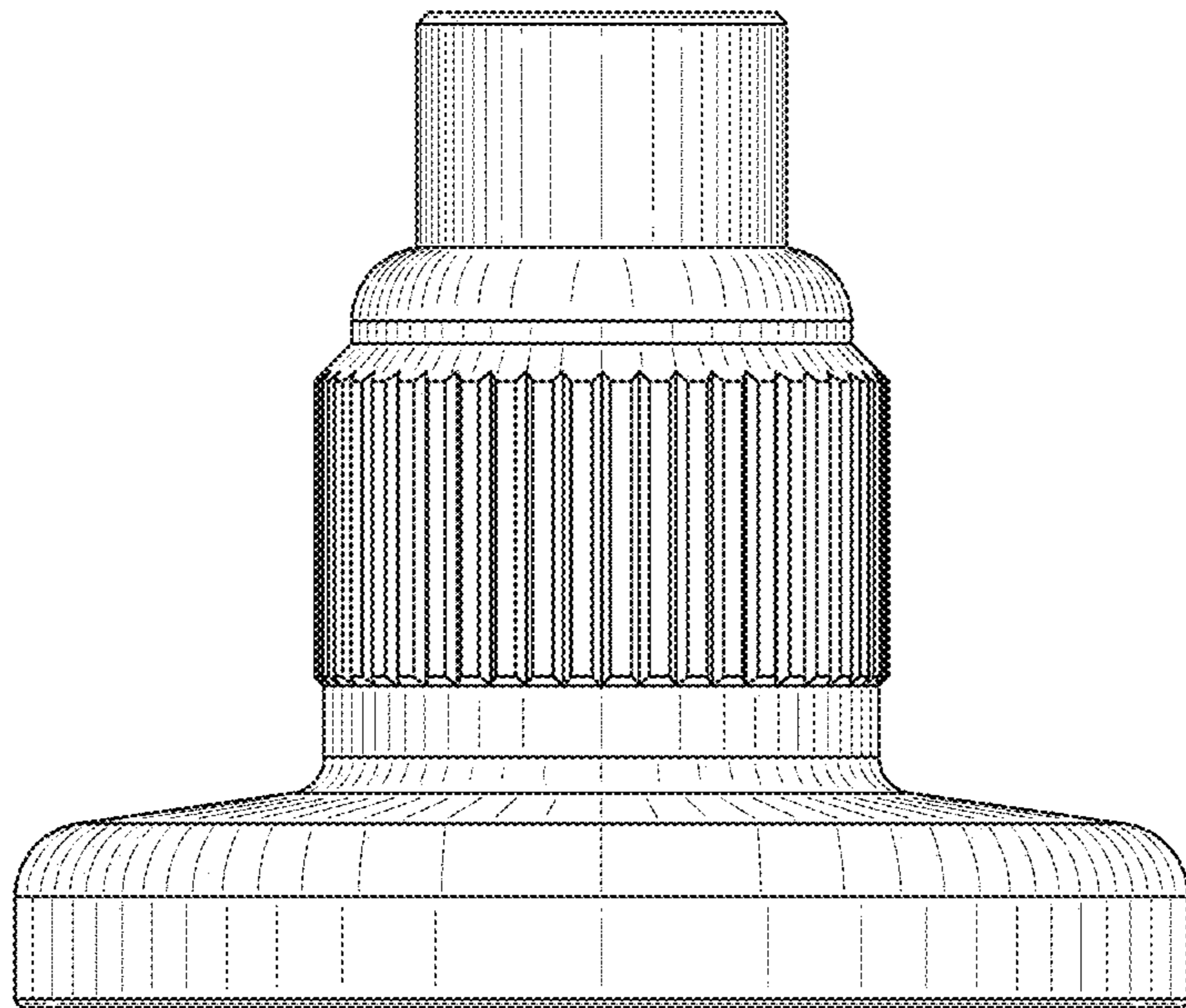
The ornamental design for a retaining collar, as shown and described.

**DESCRIPTION**

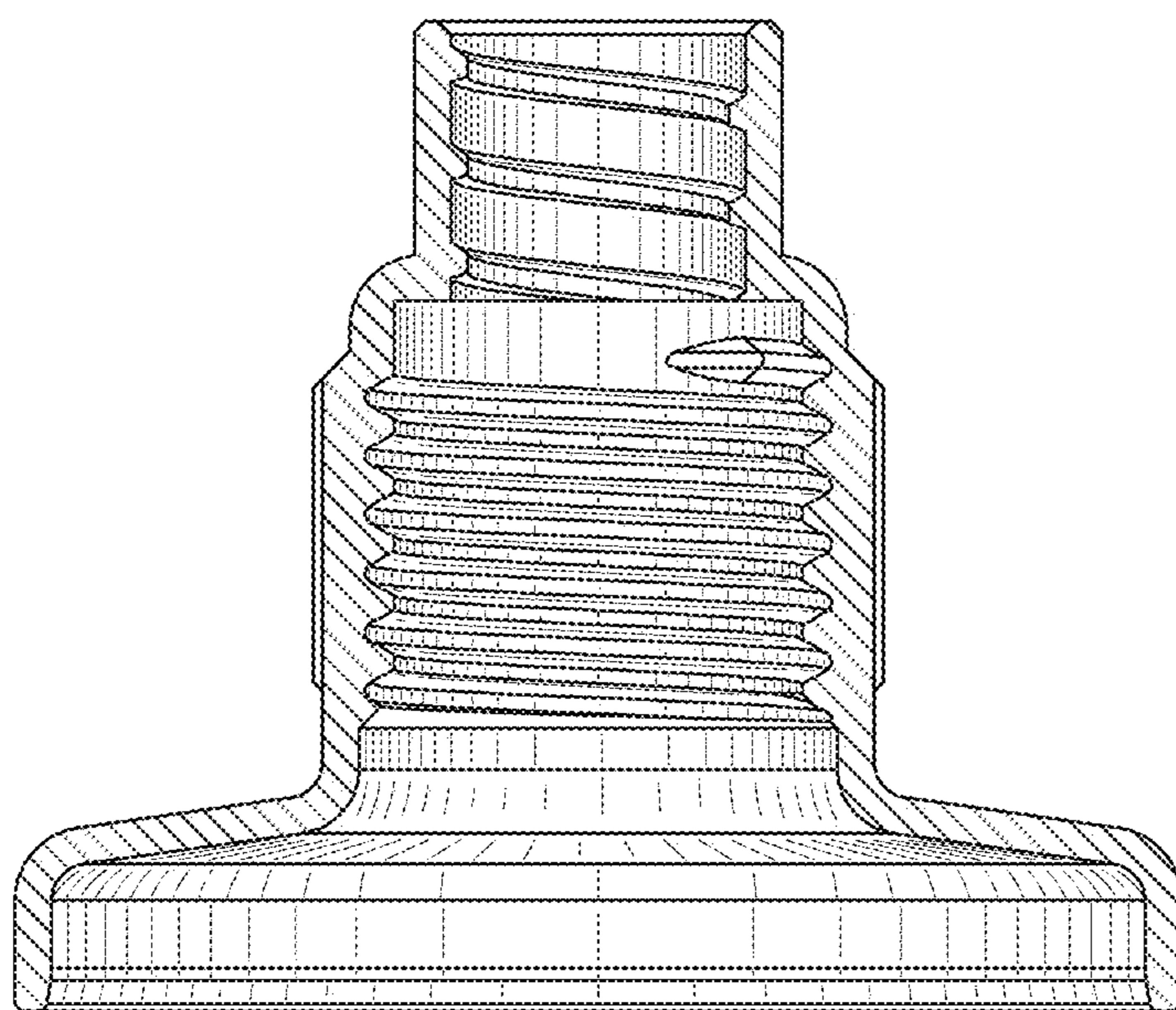
FIG. 1 is a top plan view of a retaining collar showing our new design, the bottom plan, left side elevation, and right side elevation views being identical thereto; FIG. 2 is a cross-sectional view thereof; FIG. 3 is a front perspective view thereof; FIG. 4 is a front elevation view thereof; and, FIG. 5 is another cross-sectional view thereof, shown in an environment of use with an applicator, syringe or the like. Views of the retaining collar that are not shown in the drawings form no part of the claimed design. The broken line showing of the applicator, syringe or the like in FIG. 5 is for the purpose of illustrating environmental structure that forms no part of the claimed design.

**1 Claim, 3 Drawing Sheets**

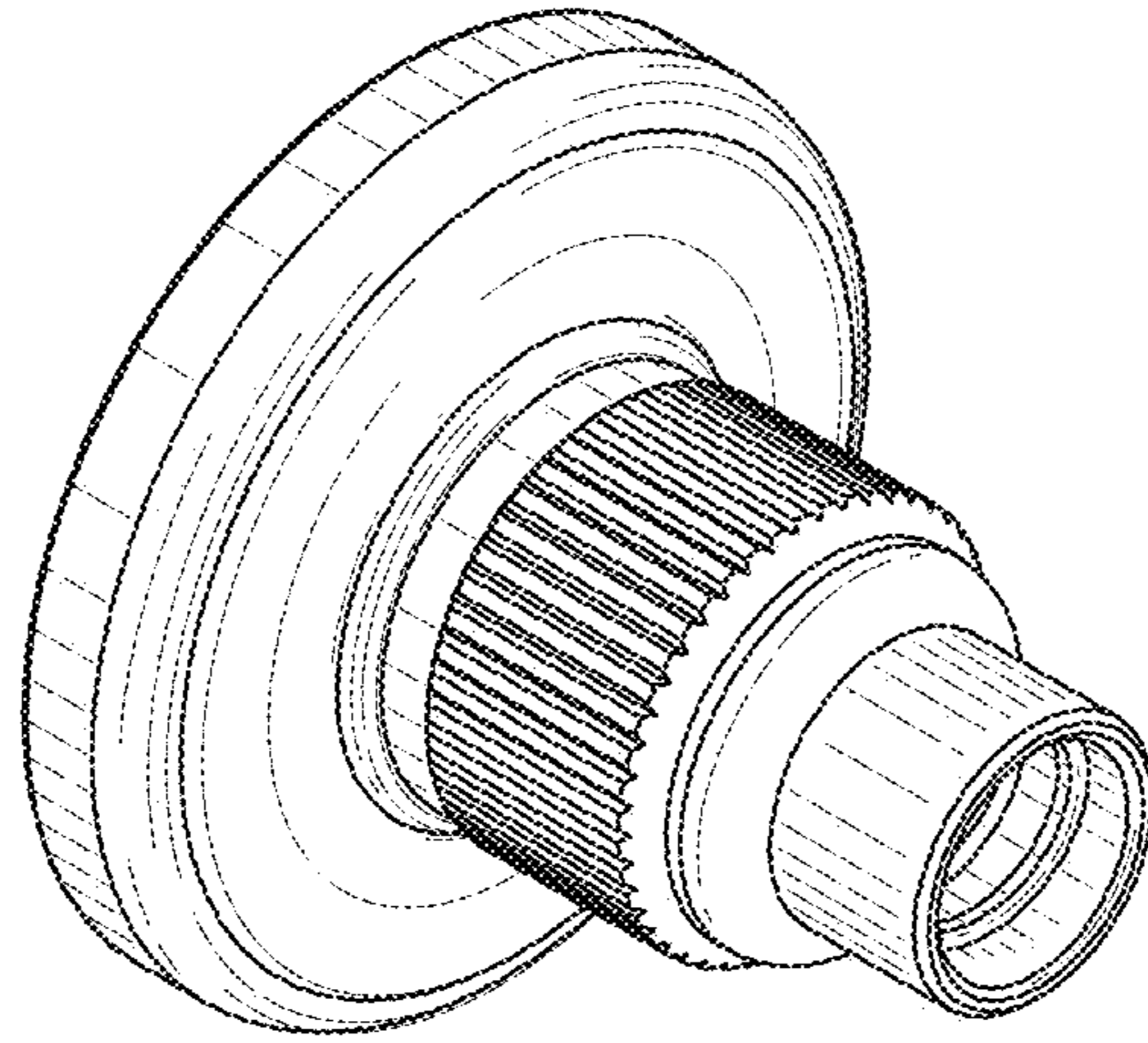




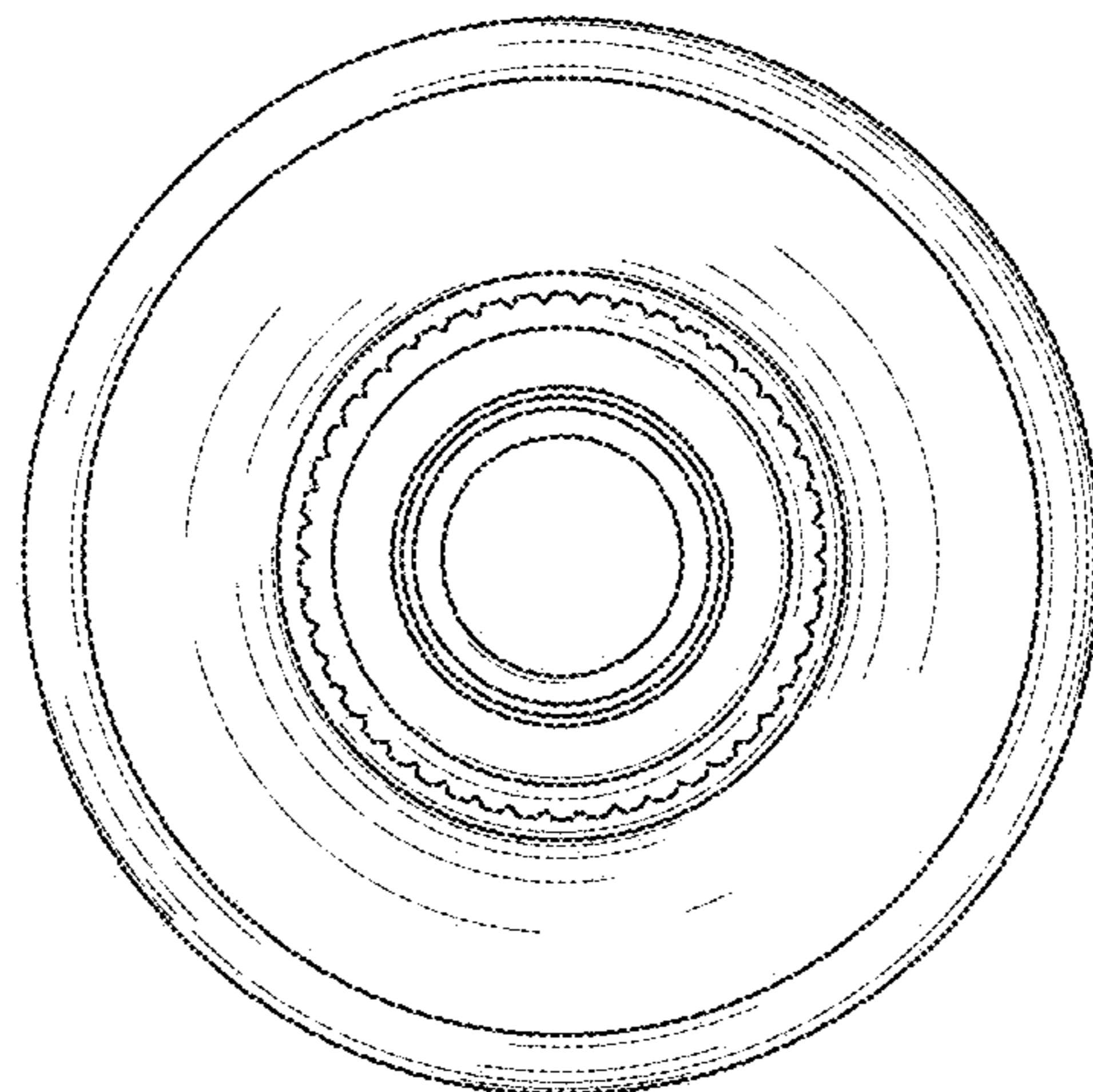
**FIG. 1**



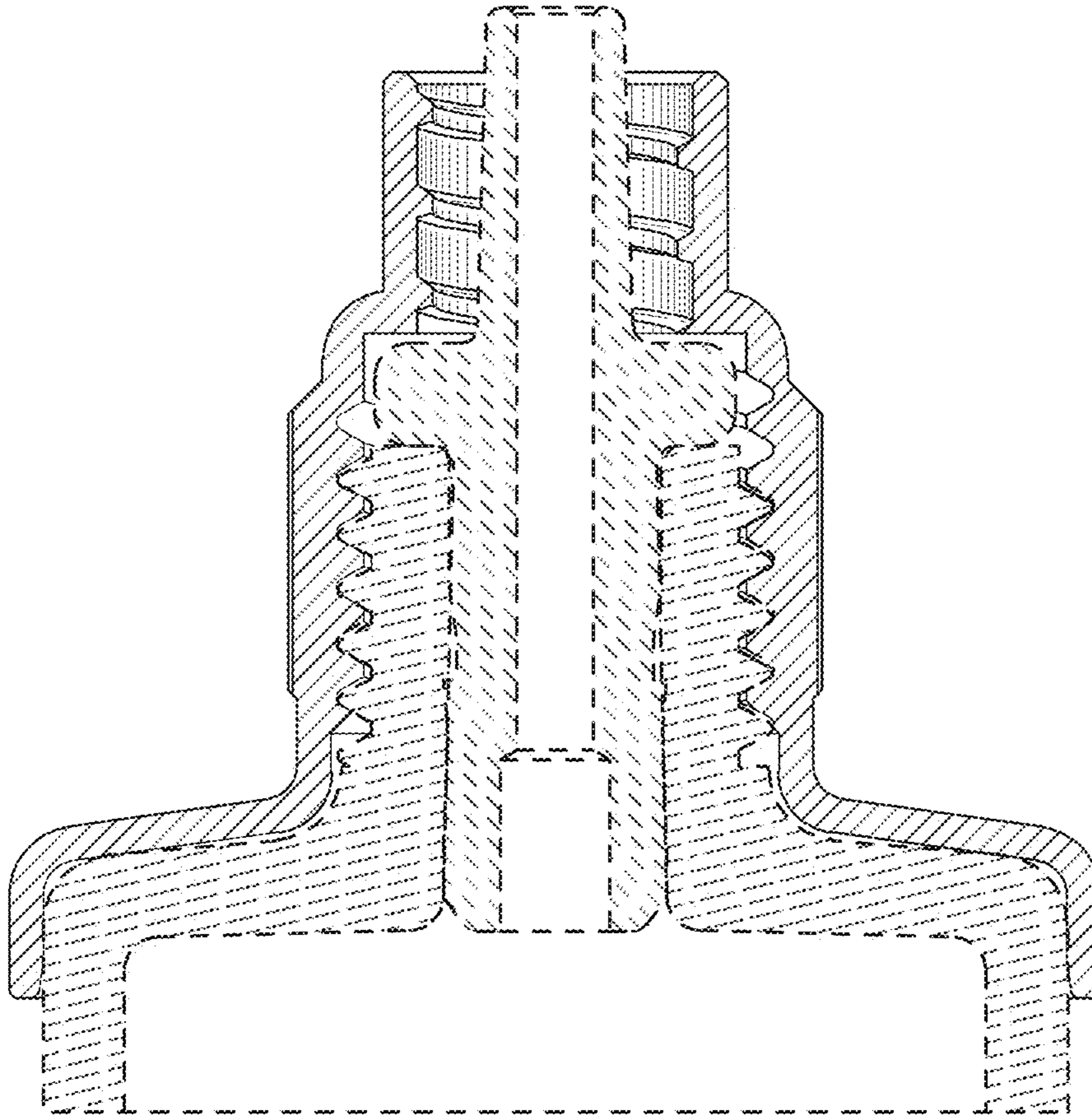
**FIG. 2**



**FIG. 3**



**FIG. 4**



**FIG. 5**