



US00D926969S

(12) **United States Design Patent** (10) **Patent No.:** **US D926,969 S**
Dennisur et al. (45) **Date of Patent:** **** Aug. 3, 2021**

(54) **AUTOINJECTOR**

(71) Applicant: **Eli Lilly and Company**, Indianapolis, IN (US)

(72) Inventors: **Delroy George Dennisur**, Smyrna, GA (US); **Hemant Thakorbbhai Patel**, Indianapolis, IN (US); **Amin Sedighiamiri**, Carmel, IN (US); **Parker Eugene Trow**, Indianapolis, IN (US); **Hsuan Tsun Wang**, Atlanta, GA (US)

(73) Assignee: **Eli Lilly and Company**, Indianapolis, IN (US)

(**) Term: **15 Years**

(21) Appl. No.: **29/697,934**

(22) Filed: **Jul. 12, 2019**

(51) **LOC (13) Cl.** **24-02**

(52) **U.S. Cl.**
USPC **D24/113**

(58) **Field of Classification Search**
USPC D24/112–114, 108, 133, 130, 127, 186;
606/181, 185; 604/264, 272, 187, 181,
604/184, 227
CPC A61M 5/178; A61M 3/00; A61M 5/20;
A61M 5/31; A61M 5/3146; A61M
5/3129; A61M 5/3148; A61M 5/315
See application file for complete search history.

(56) **References Cited**

U.S. PATENT DOCUMENTS

- D739,011 S * 9/2015 Morrison, Jr. D24/114
- D773,650 S * 12/2016 Fourt D24/113
- D814,022 S * 3/2018 Boyaval D24/113
- 10,265,476 B2 * 4/2019 Laiosa A61M 5/2033
- D851,754 S * 6/2019 Boyaval D24/113
- D870,270 S * 12/2019 Burkett D24/112
- D878,560 S * 3/2020 Boyaval D24/113

- D882,071 S * 4/2020 Stonecipher D24/113
- RE48,006 E * 5/2020 Fourt A61M 5/00
D24/113
- D883,475 S * 5/2020 Boyaval D24/117
- D898,189 S * 10/2020 Boyaval D24/113
- D898,900 S * 10/2020 Atterbury D24/113
- 2019/0328485 A1 * 10/2019 Bauss A61M 5/3129

* cited by examiner

Primary Examiner — David G Muller

(74) *Attorney, Agent, or Firm* — Arthur C H Shum

(57) **CLAIM**

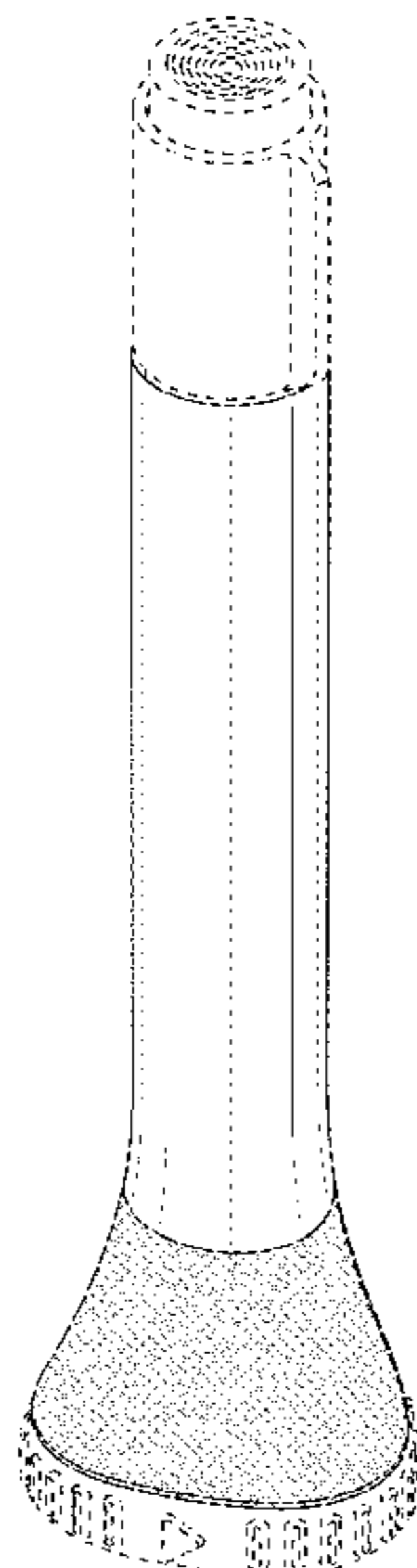
The ornamental design for an autoinjector, as shown and described.

DESCRIPTION

FIG. 1 is a front, top, right perspective view of a first embodiment of an autoinjector, showing the new design; FIG. 2 is a rear, bottom, right perspective view thereof; FIG. 3 is a right-side view thereof; FIG. 4 is a left-side view thereof; FIG. 5 is front view thereof; FIG. 6 is a rear view thereof; FIG. 7 is a top plan view thereof; FIG. 8 is a bottom plan view thereof; FIG. 9 is a front, top, right perspective view of a second embodiment of an autoinjector, showing the new design; FIG. 10 is a rear, bottom, right perspective view thereof; FIG. 11 is a right-side view thereof; FIG. 12 is a left-side view thereof; FIG. 13 is front view thereof; FIG. 14 is a rear view thereof; FIG. 15 is a top plan view thereof; and, FIG. 16 is a bottom plan view thereof.

Contrast in surface appearance is shown by line and stipple shading. The broken lines of even length illustrate portions of the mechanism, inner core, and delivery system of the autoinjector and form no part of the claimed design.

1 Claim, 16 Drawing Sheets



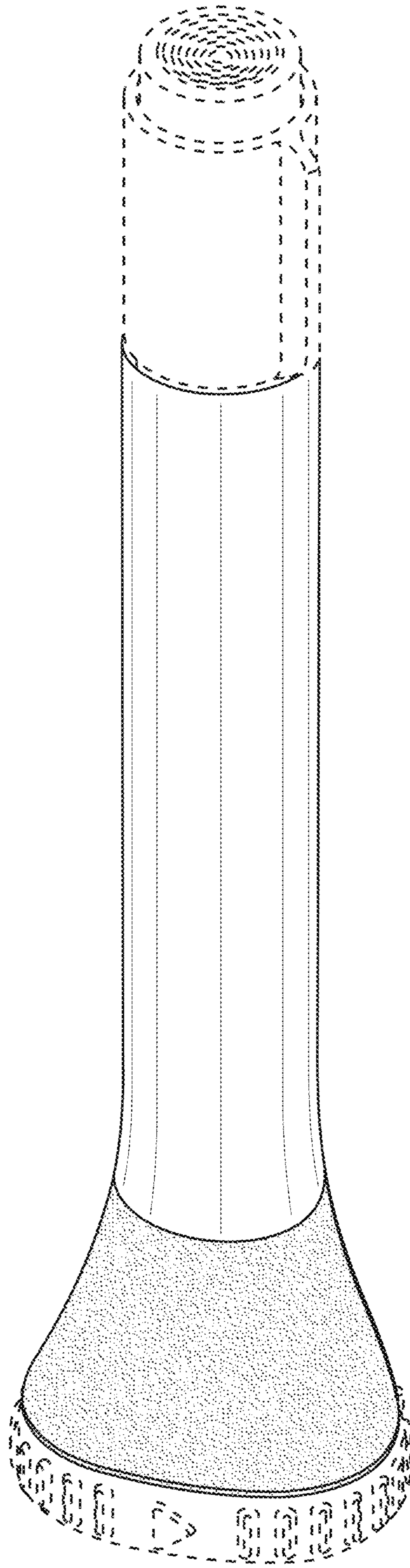


FIG. 1

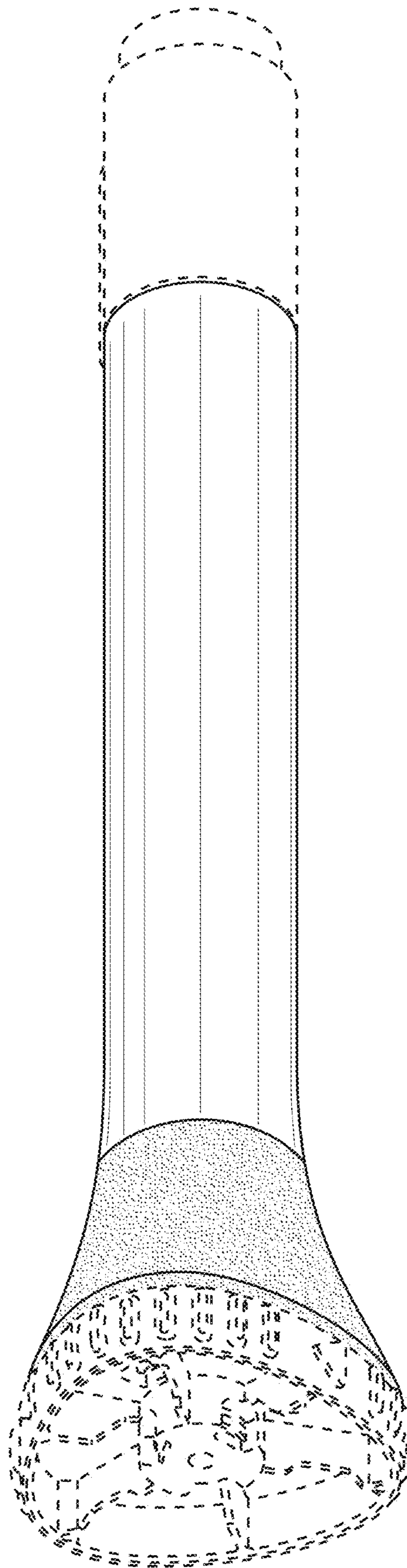


FIG. 2

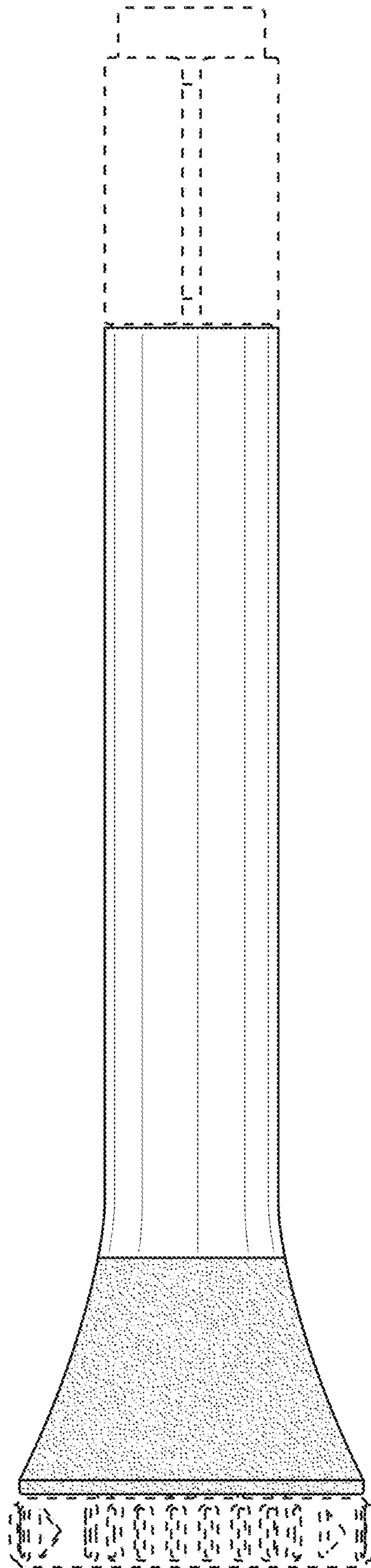


FIG. 3

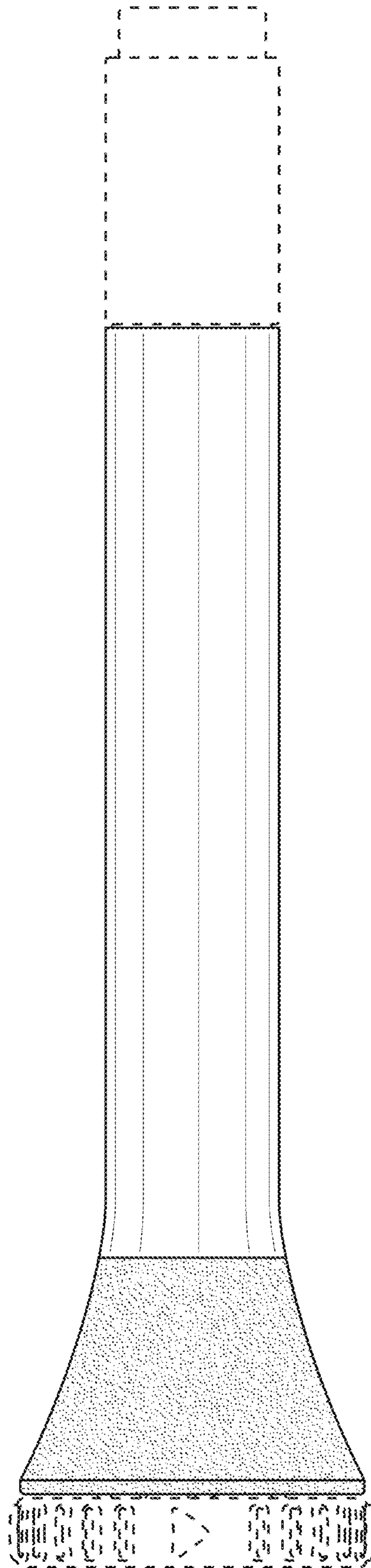


FIG. 4

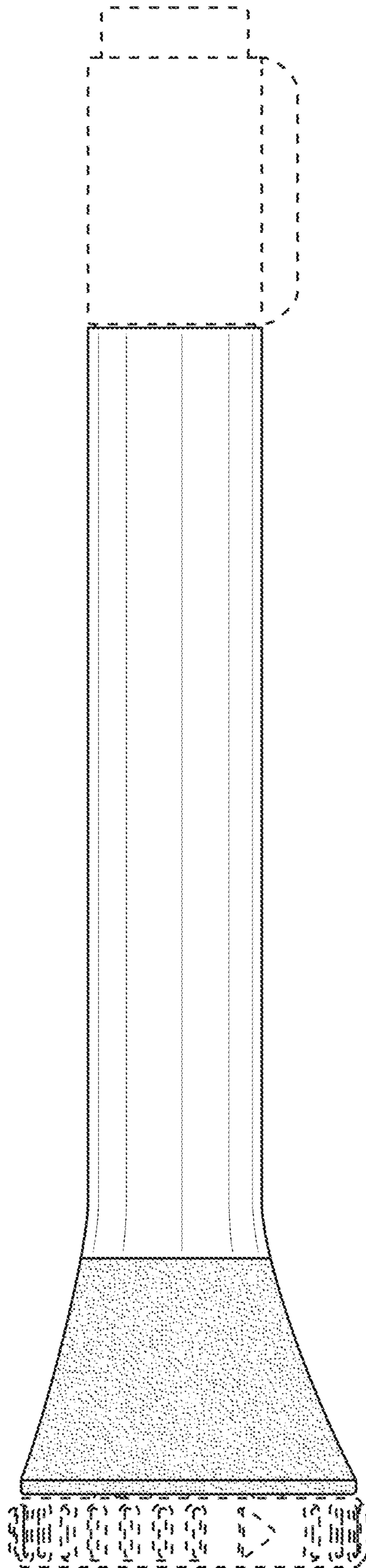


FIG. 5

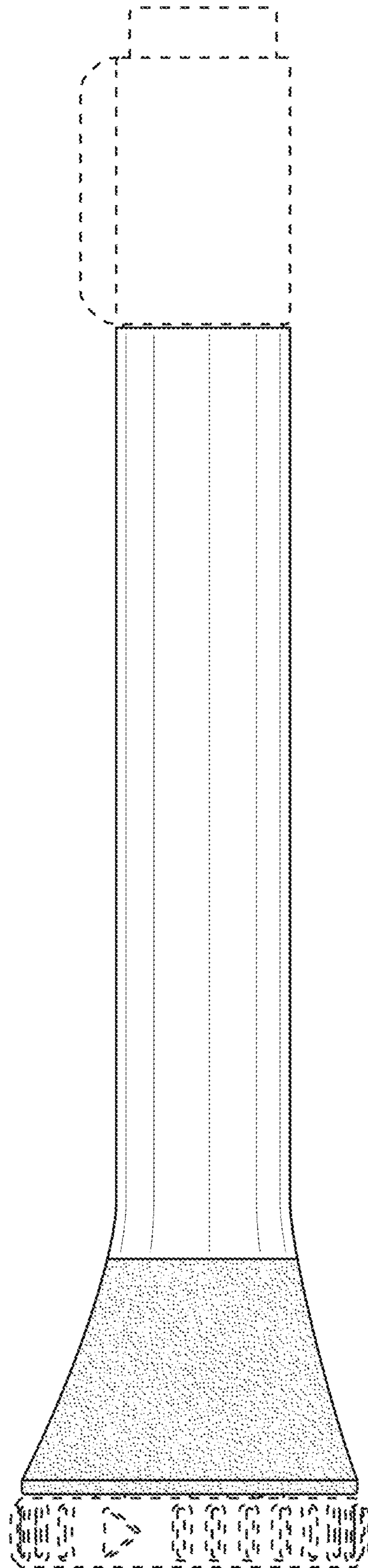


FIG. 6

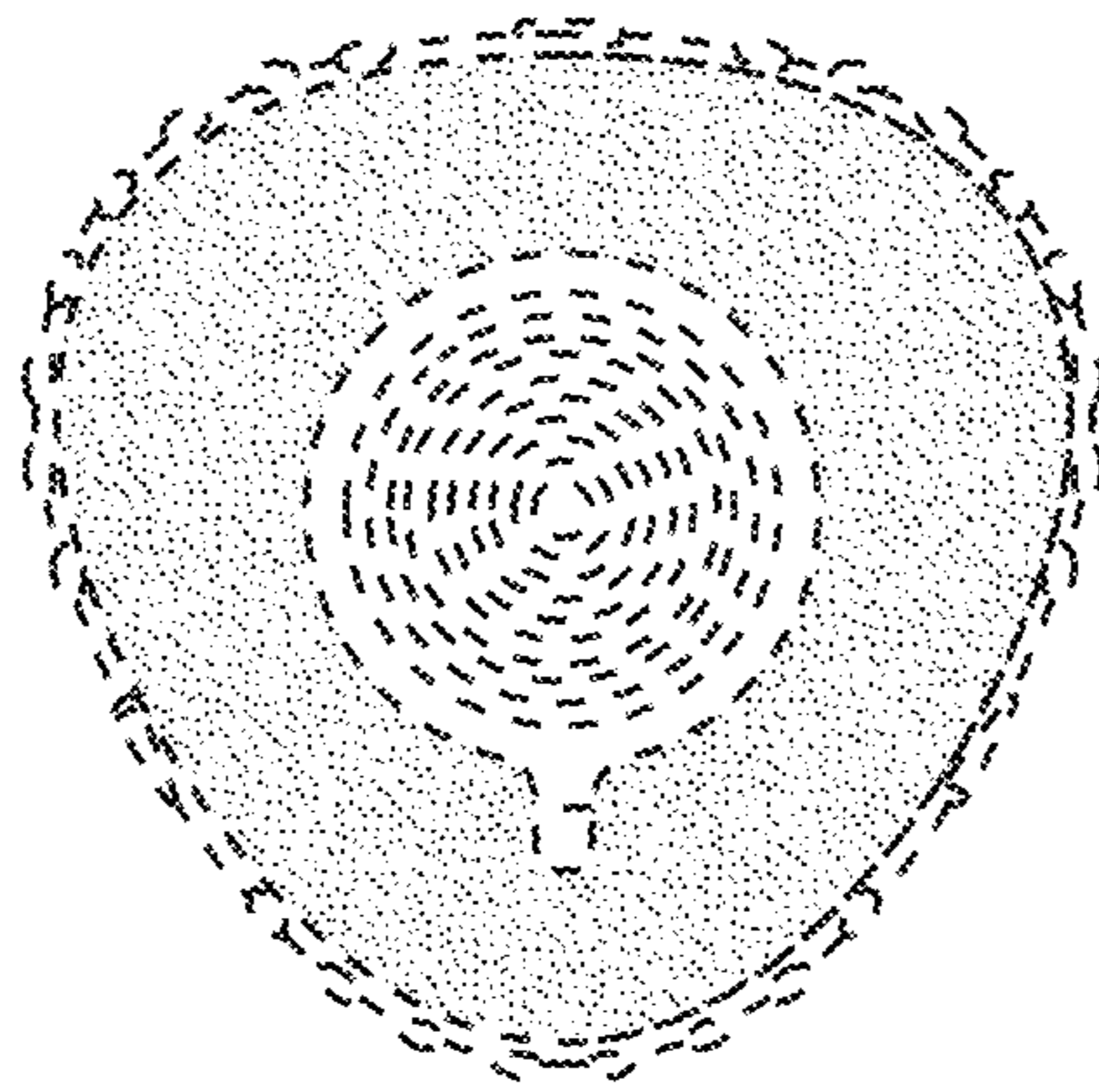


FIG. 7

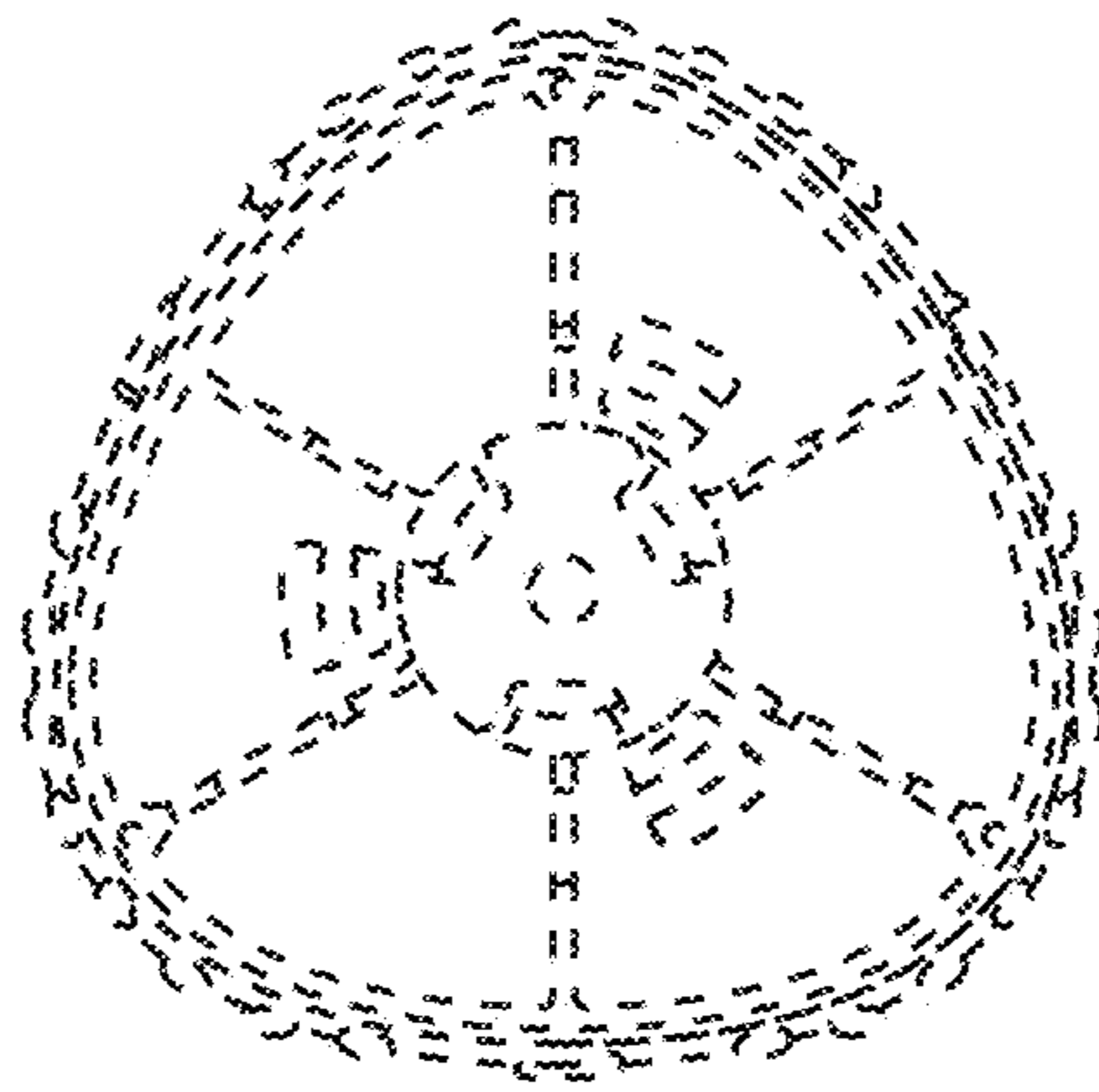


FIG. 8

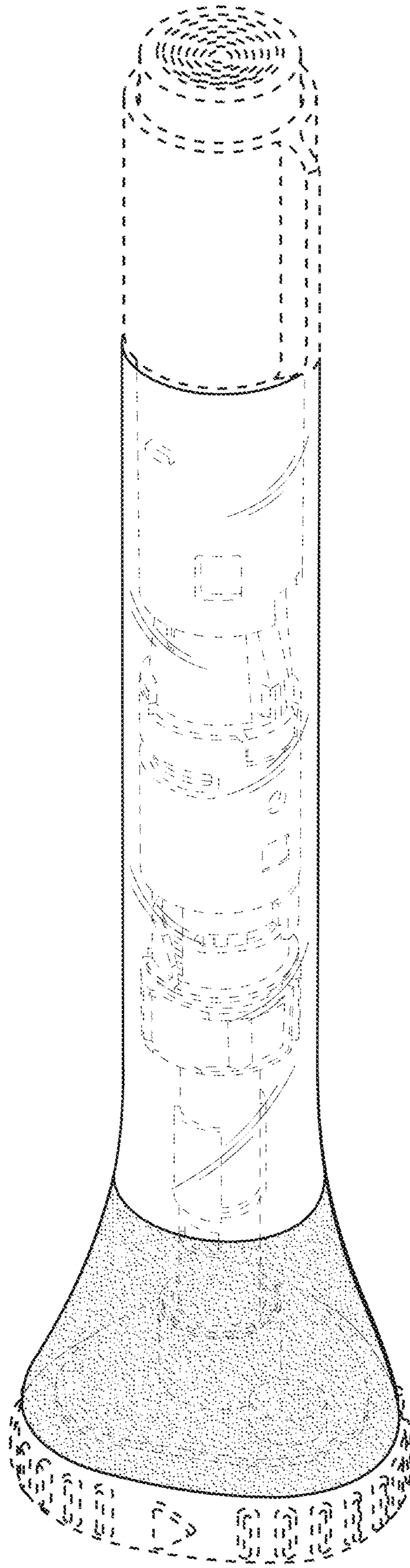


FIG. 9

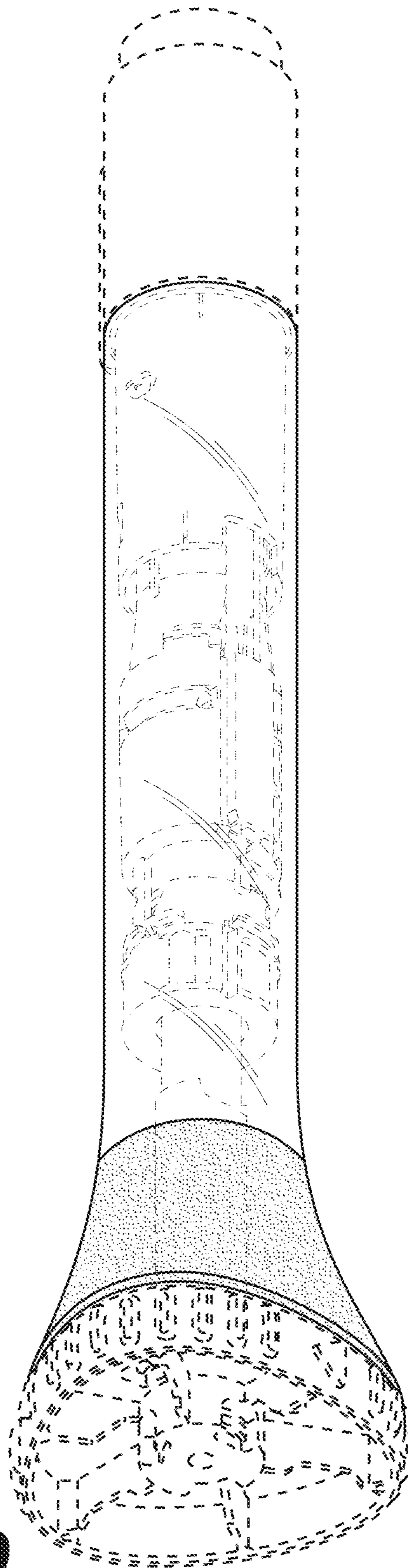


FIG. 10

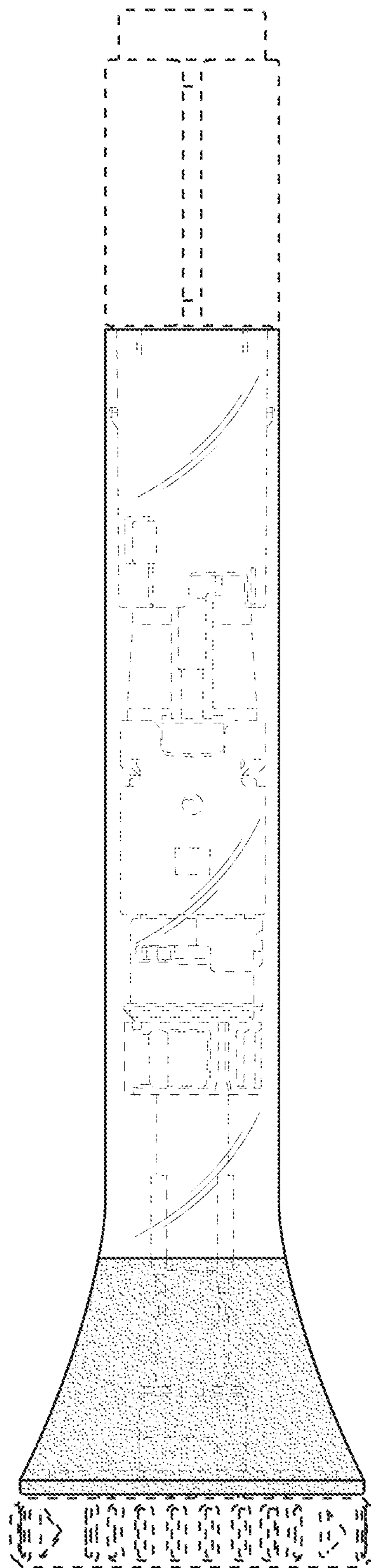


FIG. 11

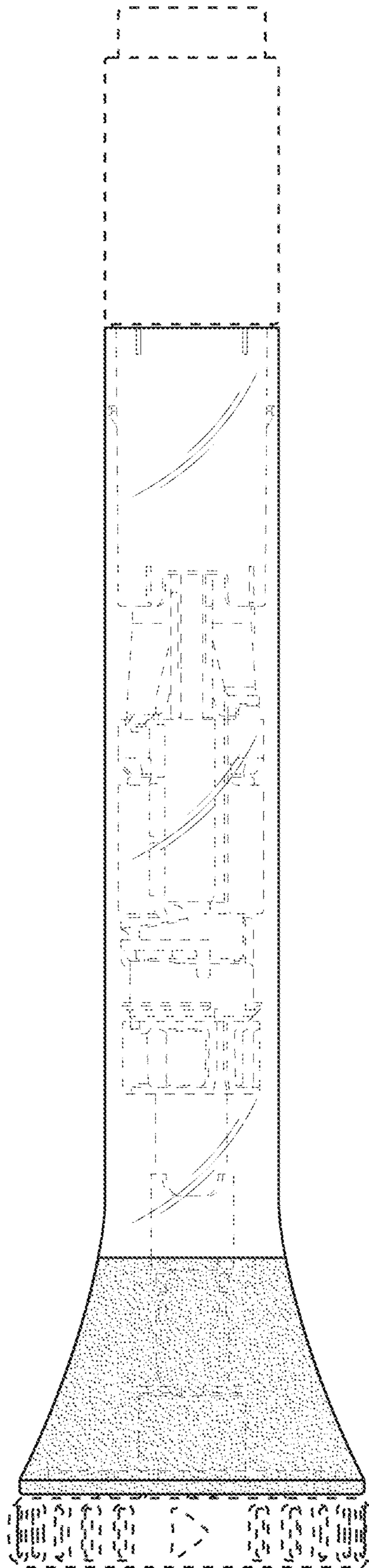


FIG. 12

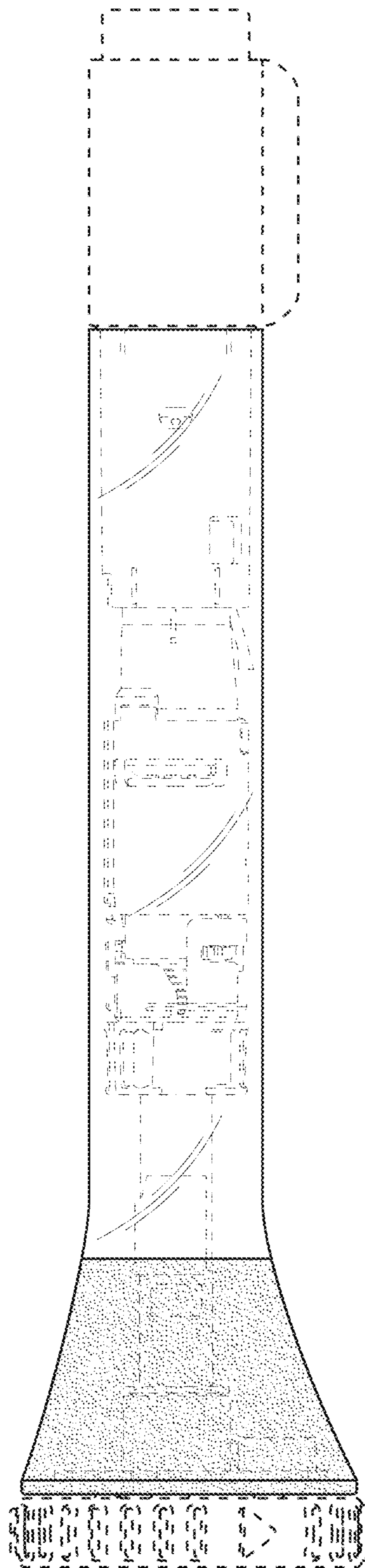


FIG. 13

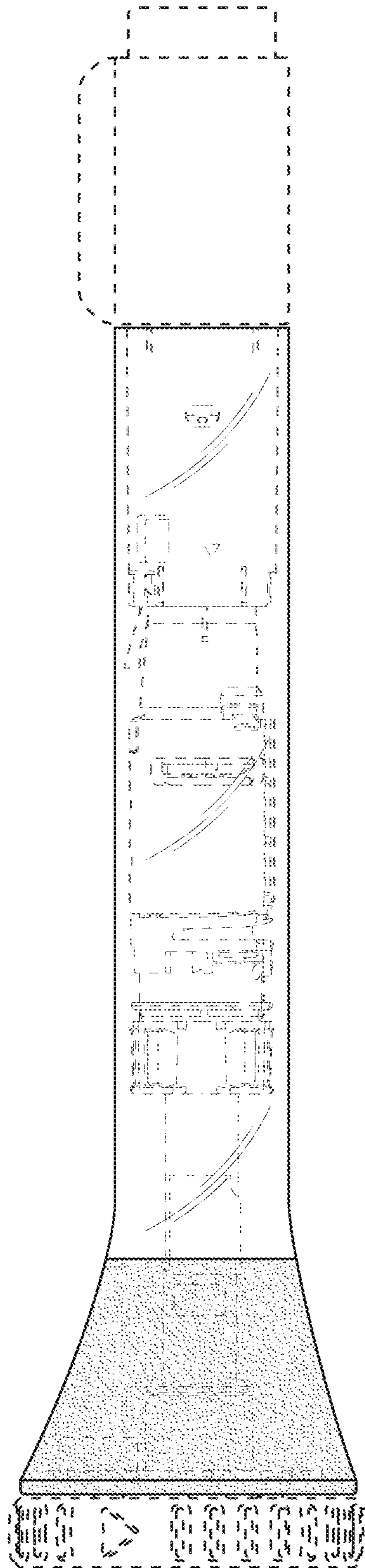


FIG. 14

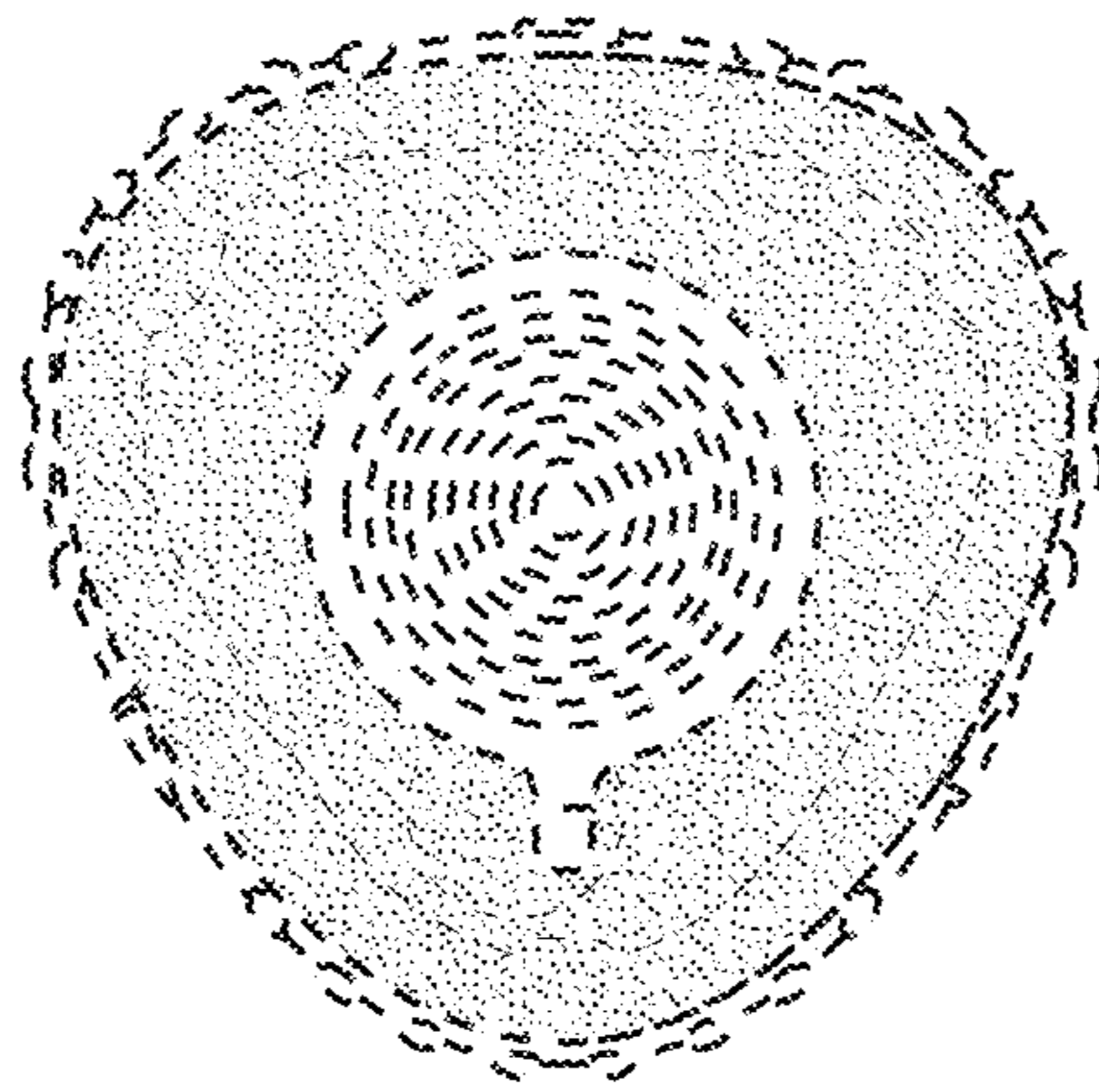


FIG. 15

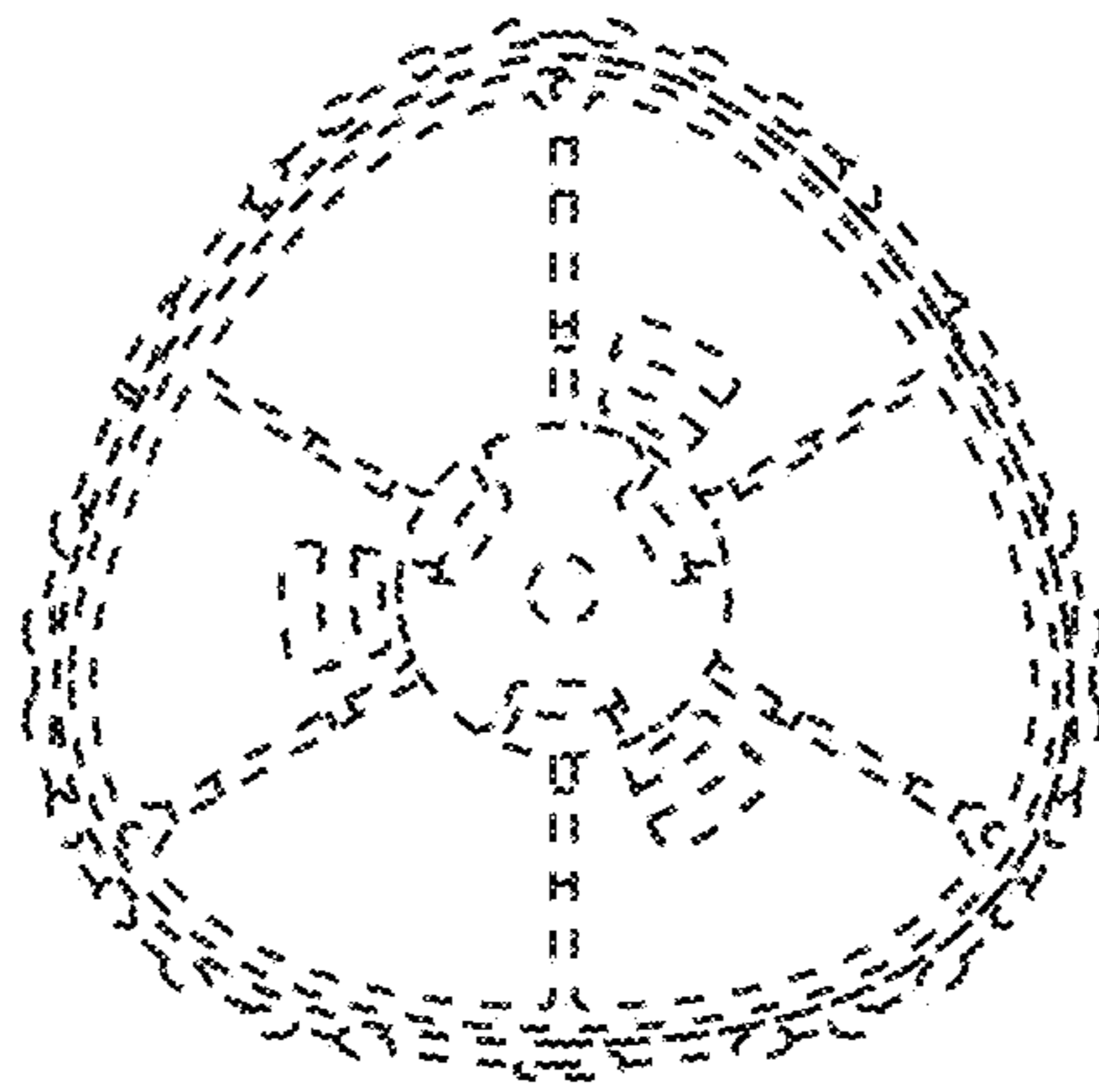


FIG. 16