



US00D926966S

(12) **United States Design Patent** (10) **Patent No.:** **US D926,966 S**  
**Shigeno et al.** (45) **Date of Patent:** **\*\* Aug. 3, 2021**

(54) **PACKAGE FOR CONTAINING A MICRO NEEDLE PATCH**

(71) Applicant: **MEDRX CO., LTD.**, Kagawa (JP)

(72) Inventors: **Takashi Shigeno**, Tokyo (JP); **Manabu Ikarashi**, Tokyo (JP); **Kazuya Adachi**, Tokyo (JP); **Katsunori Kobayashi**, Higashikagawa (JP); **Hidetoshi Hamamoto**, Higashikagawa (JP)

(73) Assignee: **MEDRX CO., LTD.**, Kagawa (JP)

(\*\*) Term: **15 Years**

(21) Appl. No.: **35/508,882**

(22) Filed: **Apr. 22, 2019**

(80) **Hague Agreement Data**

Int. Filing Date: **Apr. 22, 2019**  
Int. Reg. No.: **DM/206562**  
Int. Reg. Date: **Apr. 22, 2019**  
Int. Reg. Pub. Date: **Mar. 27, 2020**

(30) **Foreign Application Priority Data**

Oct. 30, 2018 (JP) ..... 2018-023838

(51) **LOC (13) Cl.** ..... **24-02**

(52) **U.S. Cl.**  
USPC ..... **D24/112**

(58) **Field of Classification Search**  
USPC ..... D24/186, 112-114, 119, 127, 130, 133;  
D23/336, 337, 340; D14/231; D9/414,  
D9/424  
CPC ..... A61B 5/743; G16H 40/63; G16H 10/60;  
A61M 37/0015; A61M 2037/0023  
See application file for complete search history.

(56) **References Cited**

**U.S. PATENT DOCUMENTS**

D184,525 S \* 3/1959 Lurie ..... D9/424  
6,440,096 B1 8/2002 Lastovich et al.

6,537,242 B1 3/2003 Palmer  
6,743,211 B1 6/2004 Prausnitz et al.  
D628,060 S \* 11/2010 Wallach ..... D9/424  
D676,959 S \* 2/2013 Flyash ..... D24/133  
D686,064 S \* 7/2013 Garza ..... D9/424  
8,821,446 B2 9/2014 Trautman et al.  
D803,389 S \* 11/2017 Pratley ..... D24/110.1  
D822,197 S \* 7/2018 Stonecipher ..... D24/112  
D840,024 S \* 2/2019 Stonecipher ..... D24/112  
D867,871 S \* 11/2019 Rubio ..... D9/424  
D877,893 S \* 3/2020 Stonecipher ..... D24/112  
D878,550 S \* 3/2020 Stonecipher ..... D24/112

(Continued)

**FOREIGN PATENT DOCUMENTS**

JP 2005-527249 A 9/2005  
JP 2006-149818 A 6/2006

(Continued)

*Primary Examiner* — George D. Kirschbaum  
*Assistant Examiner* — Calvin E Vansant  
(74) *Attorney, Agent, or Firm* — Studebaker & Brackett  
PC

(57) **CLAIM**

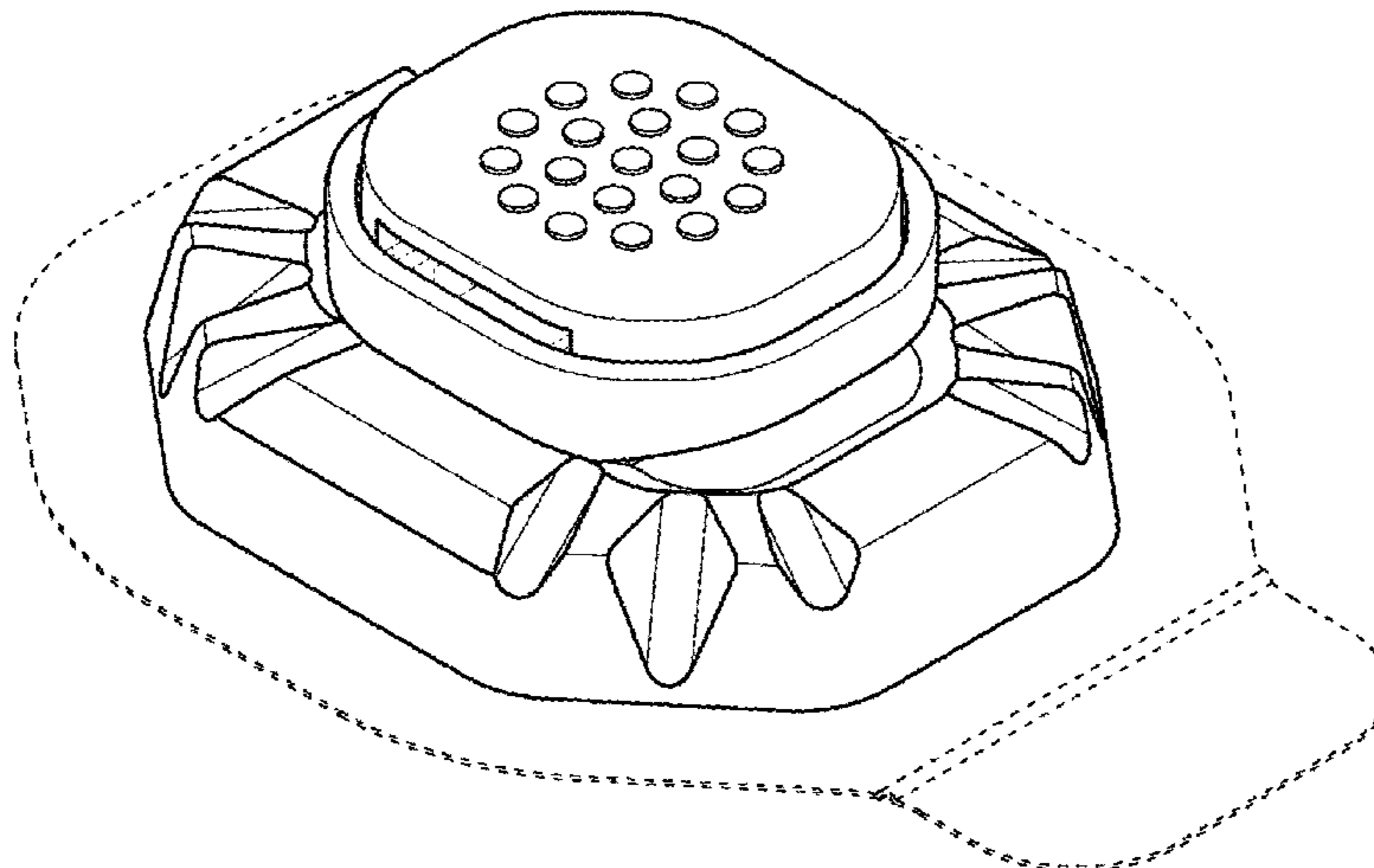
The ornamental design for a package for containing a micro-needle patch, as shown and described.

**DESCRIPTION**

1. Package for containing a micro needle patch  
**1.1** : Perspective  
**1.2** : Front  
**1.3** : Back  
**1.4** : Right  
**1.5** : Left  
**1.6** : Top  
**1.7** : Bottom

The part represented by solid lines is the claimed-design, and other parts represented by broken lines form no part of the claimed design.

**1 Claim, 7 Drawing Sheets**



(56)

**References Cited**

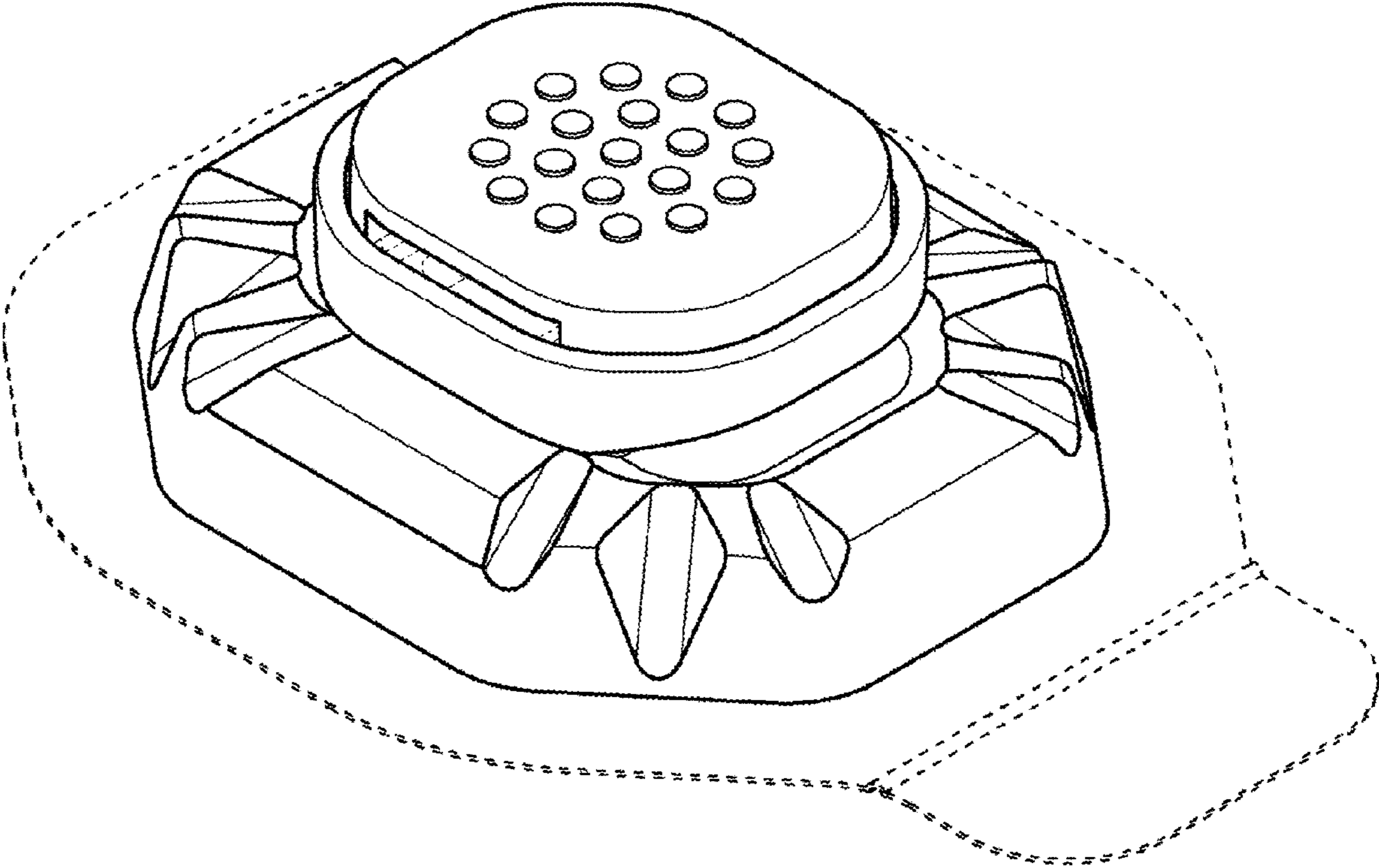
## U.S. PATENT DOCUMENTS

D883,476	S	*	5/2020	Lofthouse	.....	D24/127
D904,605	S	*	12/2020	Shi	.....	D24/130
2002/0032415	A1		3/2002	Trautman et al.		
2008/0195035	A1		8/2008	Frederickson et al.		
2009/0157041	A1		6/2009	Pettis et al.		
2009/0198189	A1		8/2009	Simons et al.		
2011/0276027	A1		11/2011	Trautman et al.		
2012/0184916	A1		7/2012	Kobayashi et al.		
2013/0006187	A1		1/2013	Kobayashi et al.		
2016/0121092	A1		5/2016	Kato		
2017/0266428	A1		9/2017	Frederickson et al.		
2018/0015271	A1		1/2018	Junger et al.		
2018/0361132	A1	*	12/2018	Kobayashi	.....	A61M 37/00

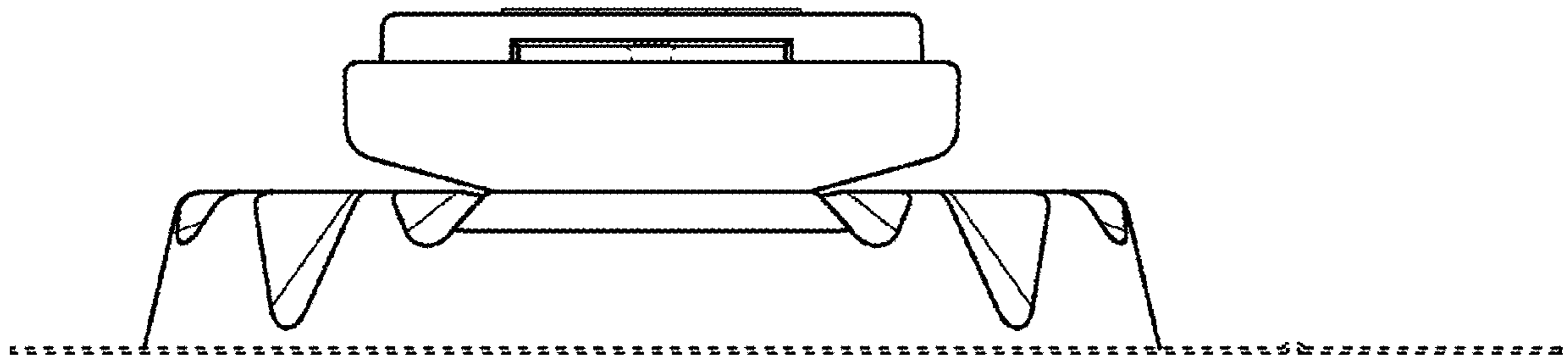
## FOREIGN PATENT DOCUMENTS

JP	2008-520369	A	6/2008
JP	2008-535587	A	9/2008
JP	2008-543528	A	12/2008
JP	2010-516337	A	5/2010
JP	2013-027492	A	2/2013
JP	2014-042788	A	3/2014
WO	2006/055795	A1	5/2006
WO	2006/108185	A1	10/2006
WO	2007/002522	A1	1/2007
WO	2008/091602	A2	7/2008
WO	2011/016230	A1	2/2011
WO	WO2009/107806	A1	7/2011
WO	WO2011/089907	A1	5/2013
WO	2015/005143	A1	1/2015

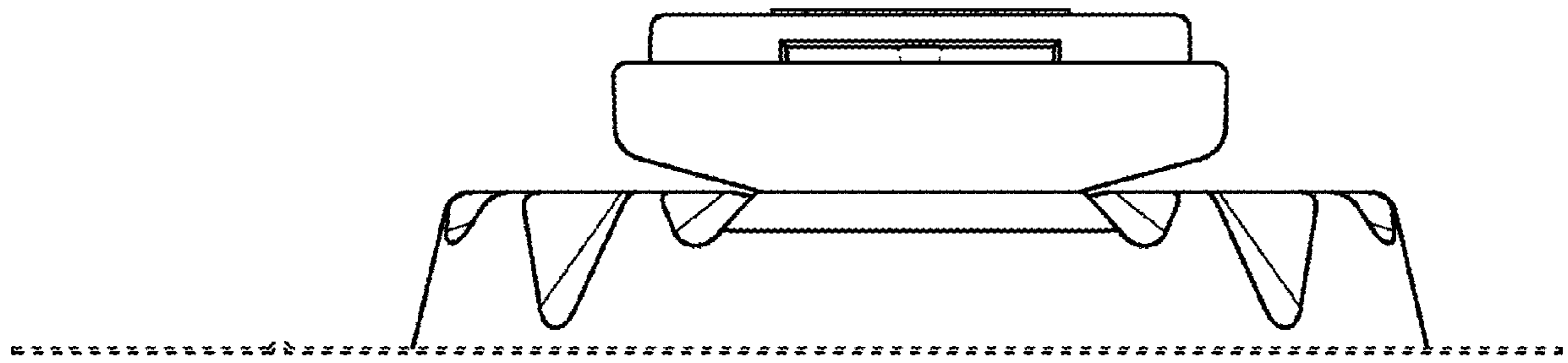
\* cited by examiner



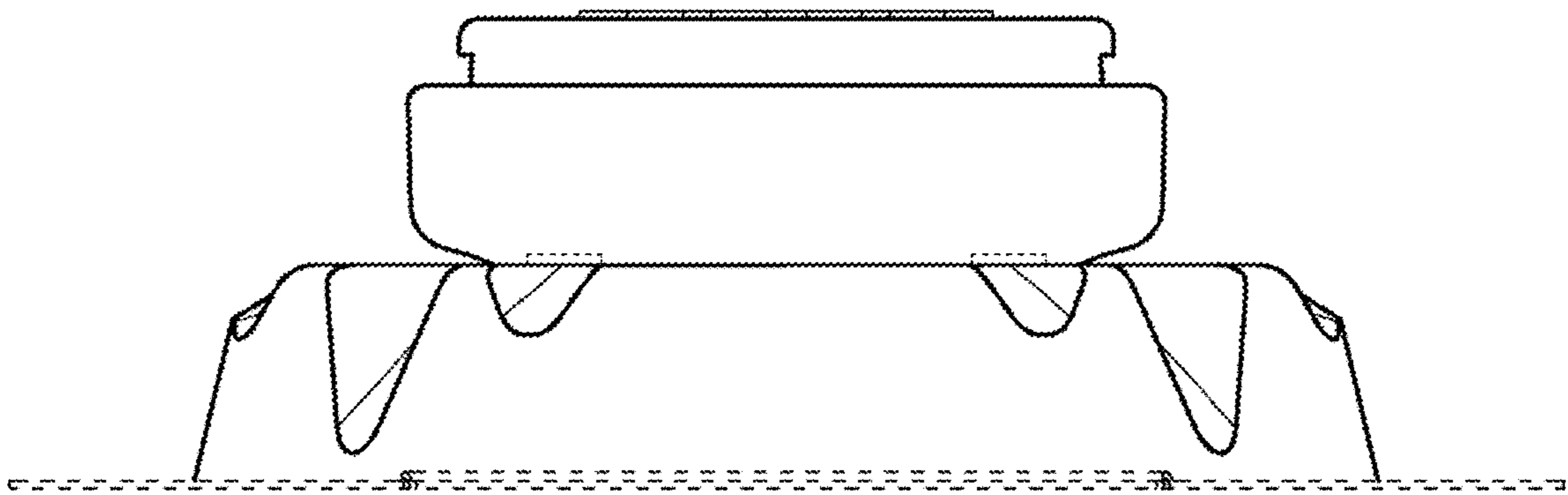
1.1



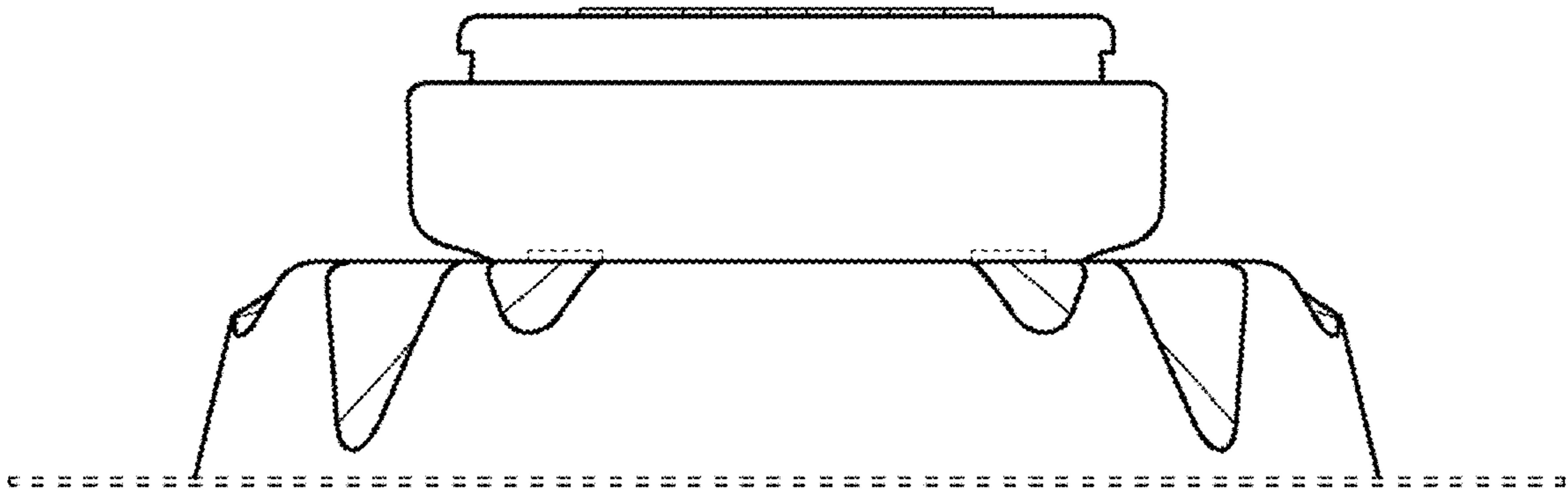
1.2



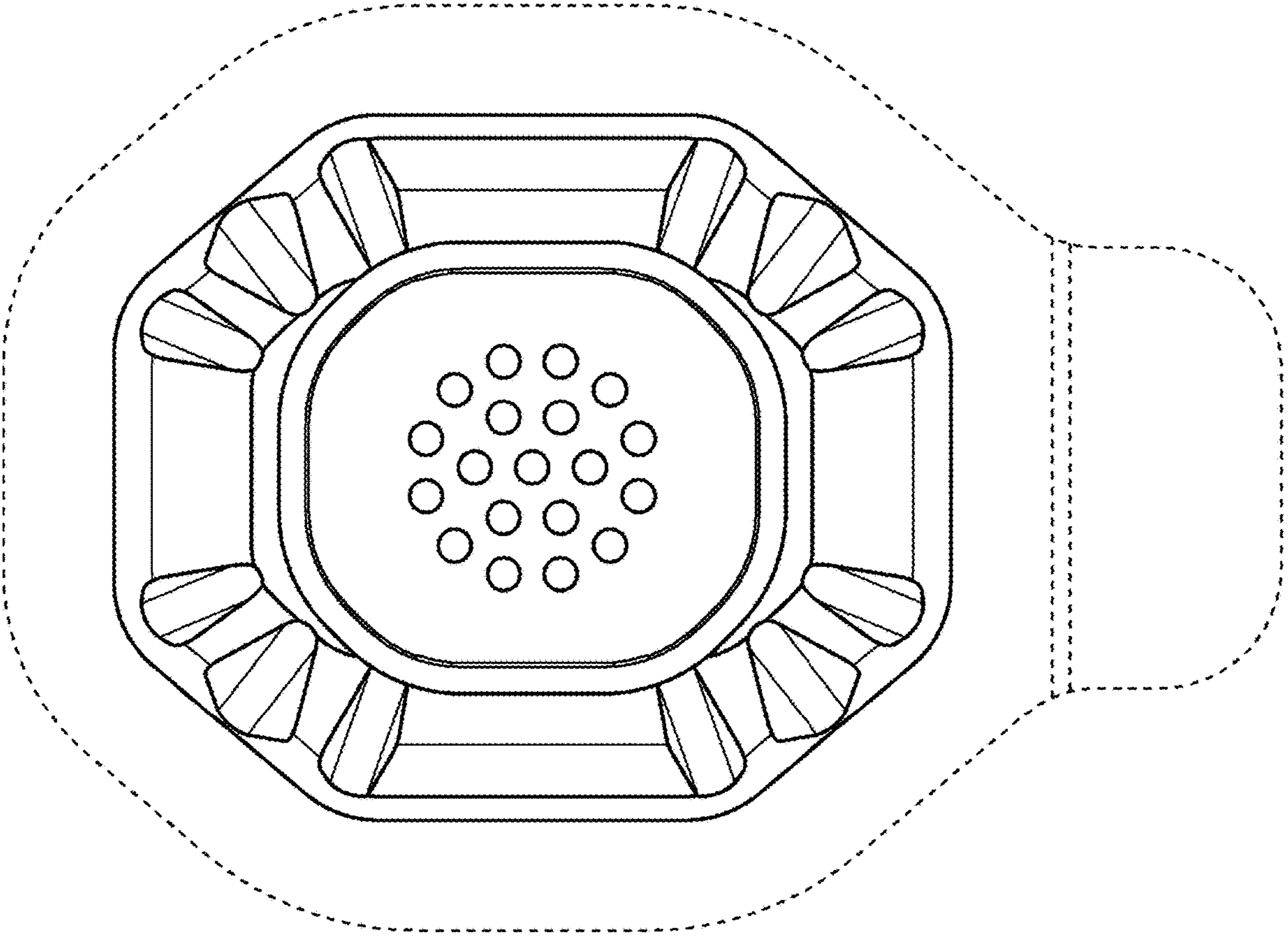
1.3



1.4

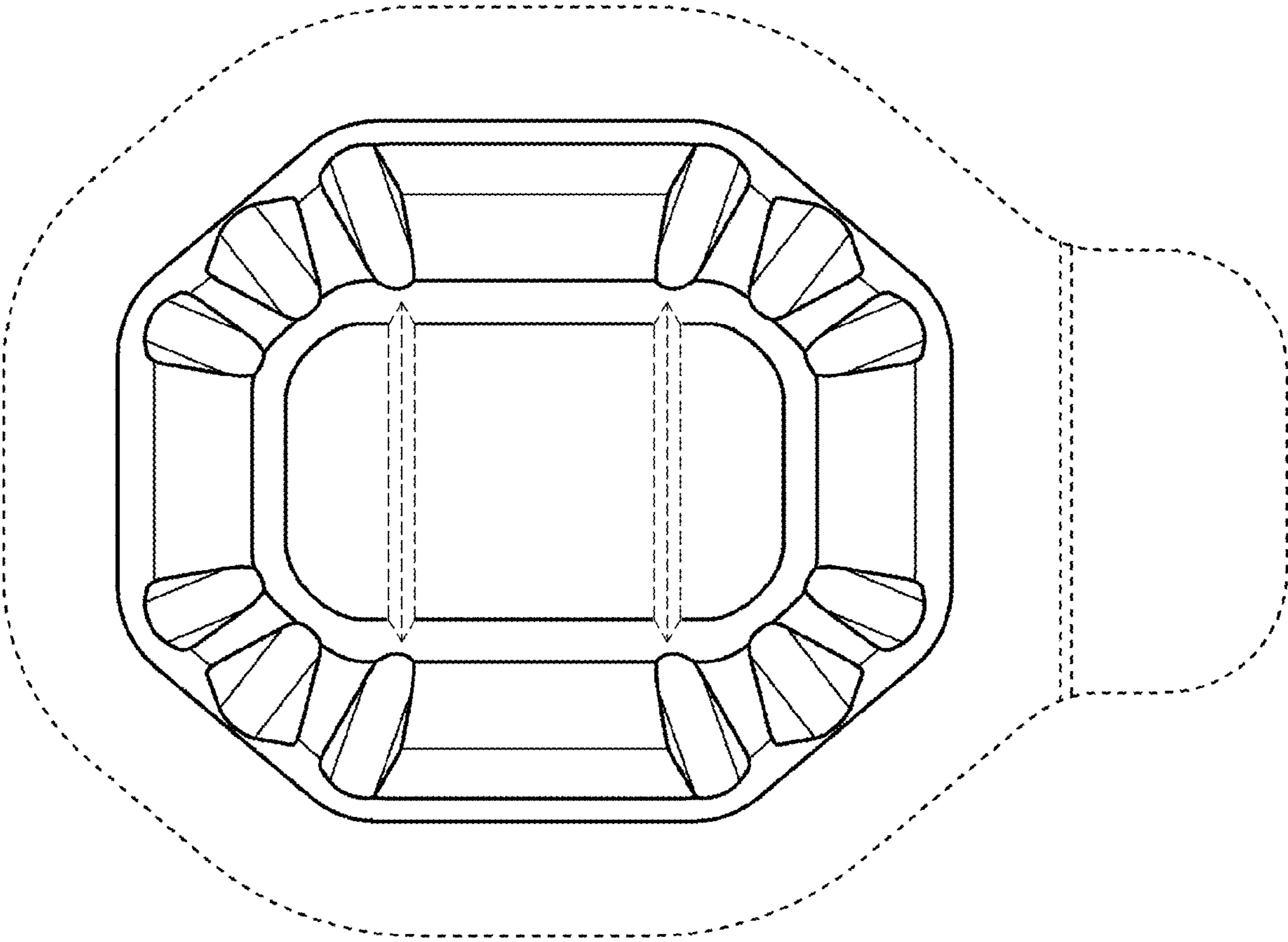


1.5



1.6





1.7