



US00D926962S

(12) **United States Design Patent**
Warden

(10) **Patent No.:** **US D926,962 S**
(45) **Date of Patent:** **** Aug. 3, 2021**

(54) **EVAPORATOR FOR INSECTICIDE**

(71) Applicant: **Henkel AG & Co. KGaA**, Duesseldorf (DE)

(72) Inventor: **Bodo Warden**, Moenchengladbach (DE)

(73) Assignee: **Henkel AG & Co. KGaA**, Duesseldorf (DE)

(**) Term: **15 Years**

(21) Appl. No.: **29/719,256**

(22) Filed: **Jan. 2, 2020**

(30) **Foreign Application Priority Data**

Jul. 2, 2019 (EM) 006610085

(51) **LOC (13) Cl.** **23-04**

(52) **U.S. Cl.**
USPC **D23/366; D22/123**

(58) **Field of Classification Search**
USPC D22/123, 122; D23/366-369; 43/58, 43/65-66, 107, 122, 128-129, 132.1; 220/690; 239/53, 57

CPC A01M 25/002; A01M 1/226; A01M 1/026; A01M 1/106; A01M 1/023; E04B 1/17; F16M 13/02; A01N 25/34

See application file for complete search history.

(56) **References Cited**

U.S. PATENT DOCUMENTS

D564,650 S * 3/2008 Hasik D23/366
D771,370 S * 11/2016 Zhang D3/215
D816,823 S * 5/2018 Gobber D23/366
D841,114 S * 2/2019 Savchenko D22/123
D880,675 S * 4/2020 Gobber D23/366

(Continued)

OTHER PUBLICATIONS

Ultrasonic Pest Repeller <https://dbzon.com/products/ultrasonic-pest-repeller-by-finita-pesto?variant=20207616769¤cy=USD>

20207616769¤cy=USD&utm_medium=product_sync&utm_source=google&utm_content=sag_organic&utm_campaign=sag_organic&gclid=EA1a1QobChMI-ePQxlXg7wIVUAilCR1hswKMEAQYAiABEgll6fD_BwE#shopify-product-reviews. (Year: 2016).*

Primary Examiner — Catherine R Oliver-Garcia

(74) *Attorney, Agent, or Firm* — Bojuan Deng

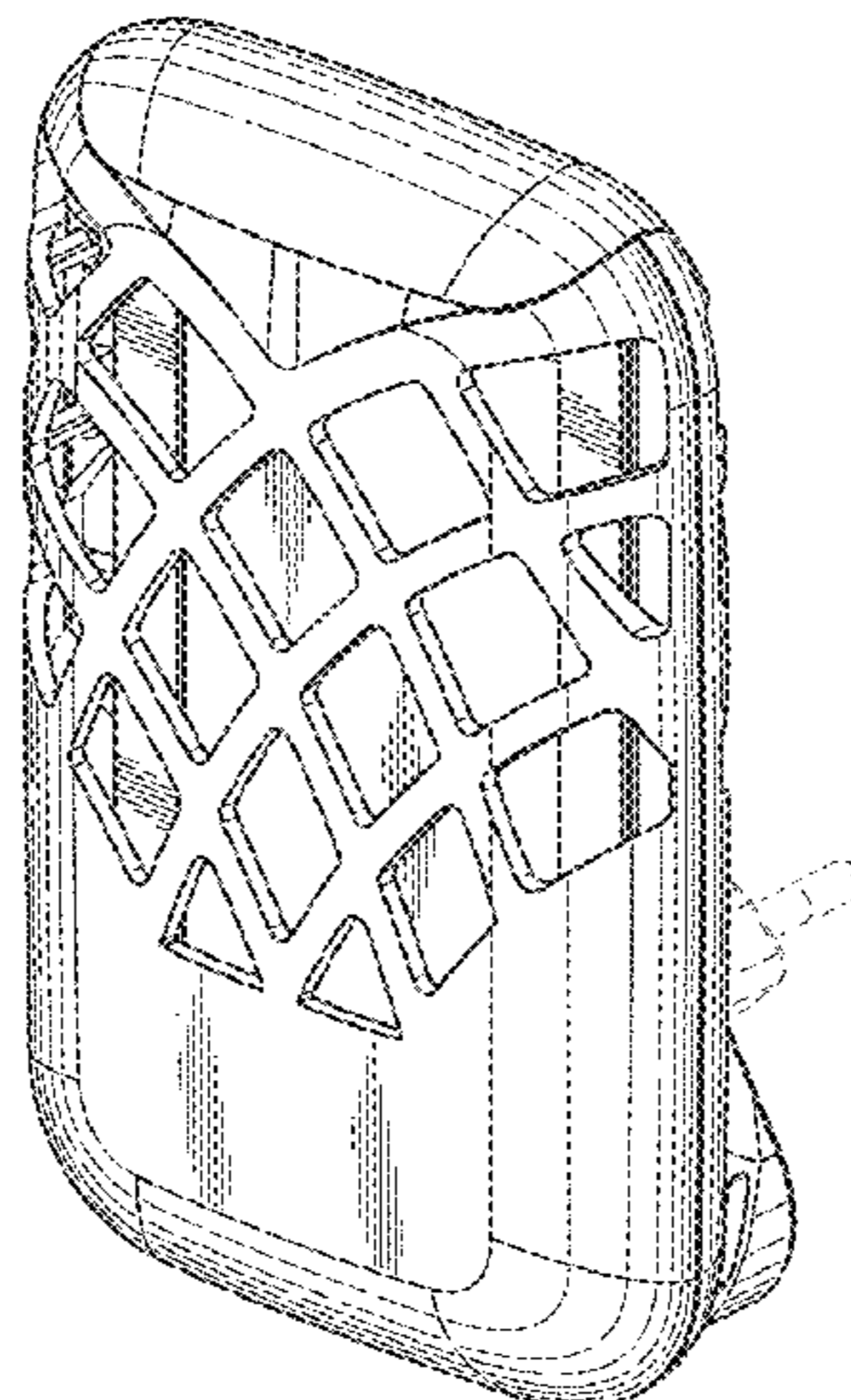
(57) **CLAIM**

The ornamental design for evaporator for insecticide, as shown and described.

DESCRIPTION

FIG. 1 is a front perspective view of an evaporator for insecticide embodying the new design; FIG. 2 is a front elevation view thereof; FIG. 3 is a rear elevation view thereof; FIG. 4 is a right side elevation view thereof; FIG. 5 is a left side elevation view thereof; FIG. 6 is a top plan view thereof; and, FIG. 7 is a bottom plan view thereof; FIG. 8 is a front perspective view of an inner component of the evaporator for insecticide; FIG. 9 is a front elevation view thereof; FIG. 10 is a rear elevation view thereof; FIG. 11 is a right side elevation view thereof; FIG. 12 is a left side elevation view thereof; FIG. 13 is a top plan view thereof; FIG. 14 is a bottom plan view thereof; FIG. 15 is a front perspective view of a second inner component of the evaporator for insecticide; FIG. 16 is a front elevation view thereof; FIG. 17 is a rear elevation view thereof; FIG. 18 is a right side elevation view thereof; FIG. 19 is a left side elevation view thereof; FIG. 20 is a top plan view thereof; and, FIG. 21 is a bottom plan view thereof.

(Continued)



The broken lines are included for the purpose of illustrating the portions of the evaporator for insecticide that form no part of the claimed design.

1 Claim, 21 Drawing Sheets

(56)

References Cited

U.S. PATENT DOCUMENTS

D886,274 S	*	6/2020	Hernandez	D23/366
D899,554 S	*	10/2020	Elman	D22/122
D905,195 S	*	12/2020	Chen	D22/123

* cited by examiner

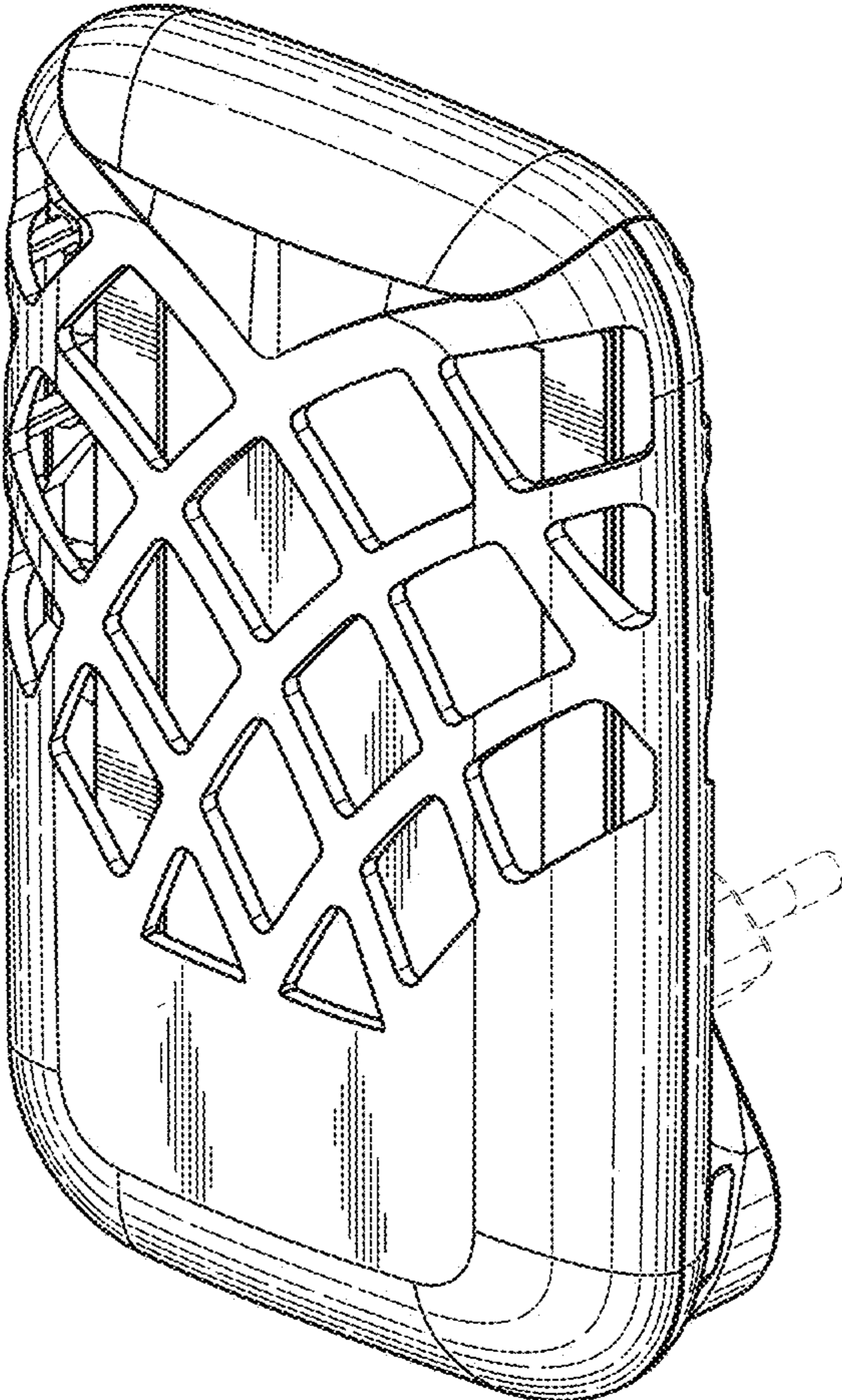


FIG.1

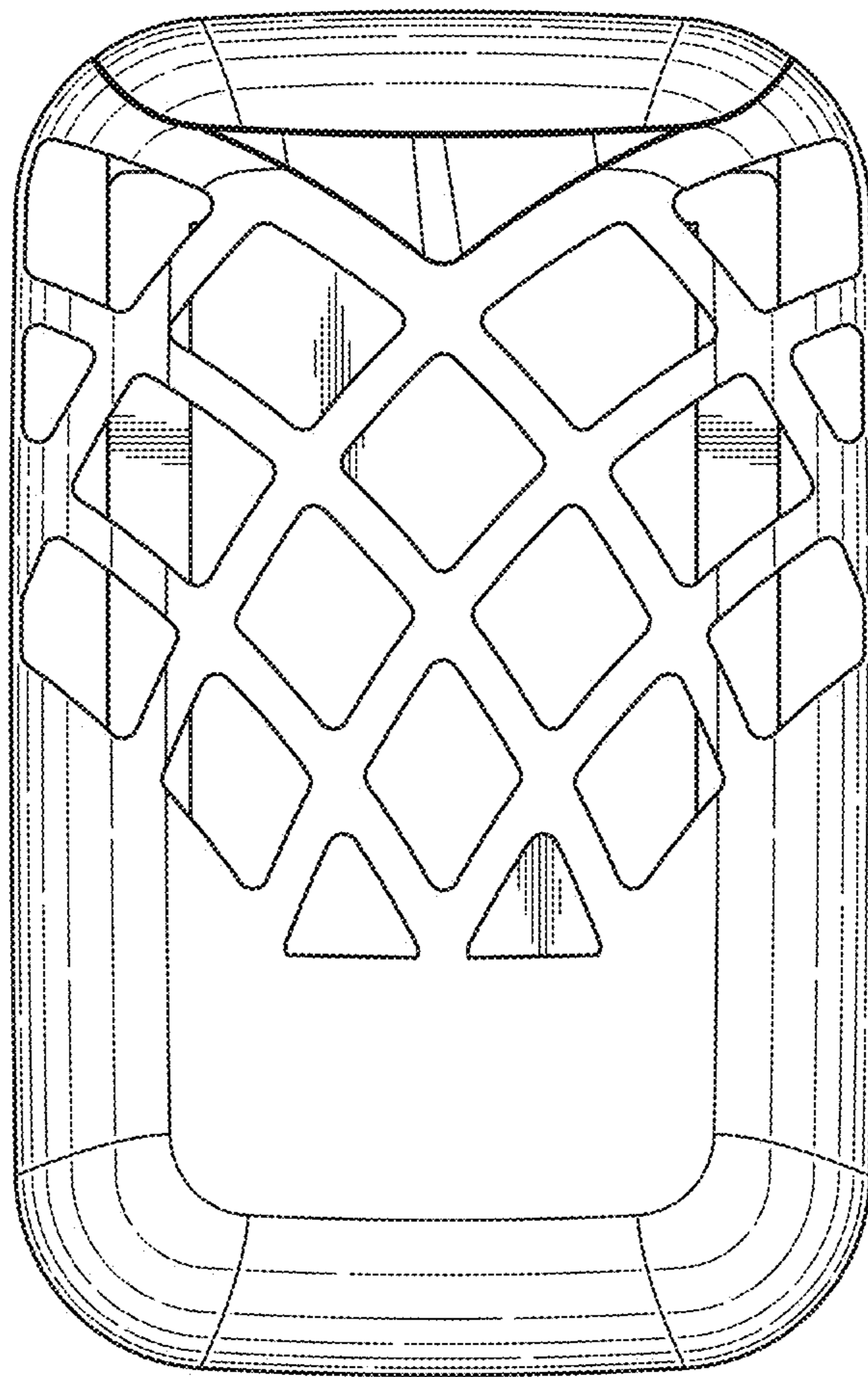


FIG. 2

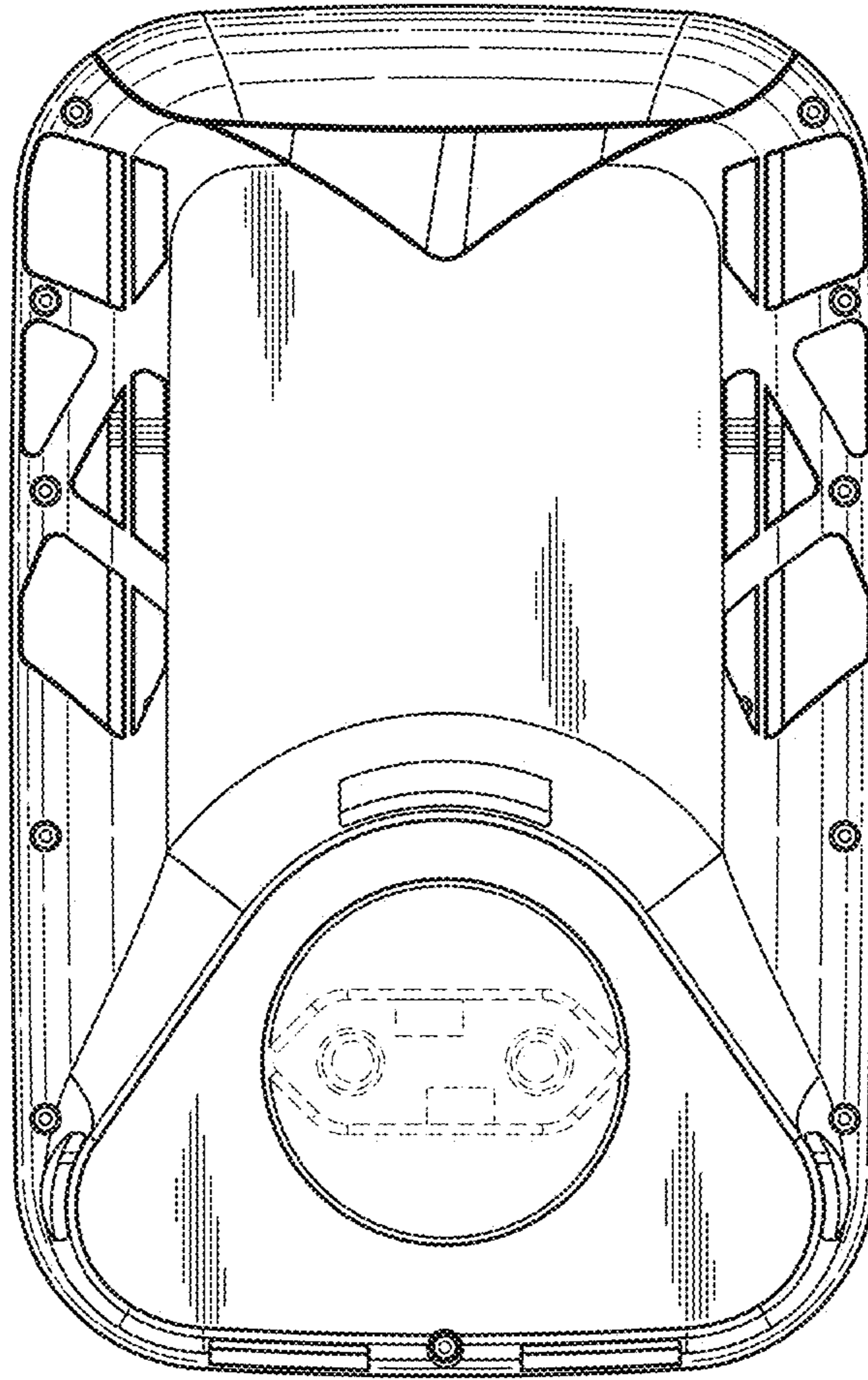


FIG.3

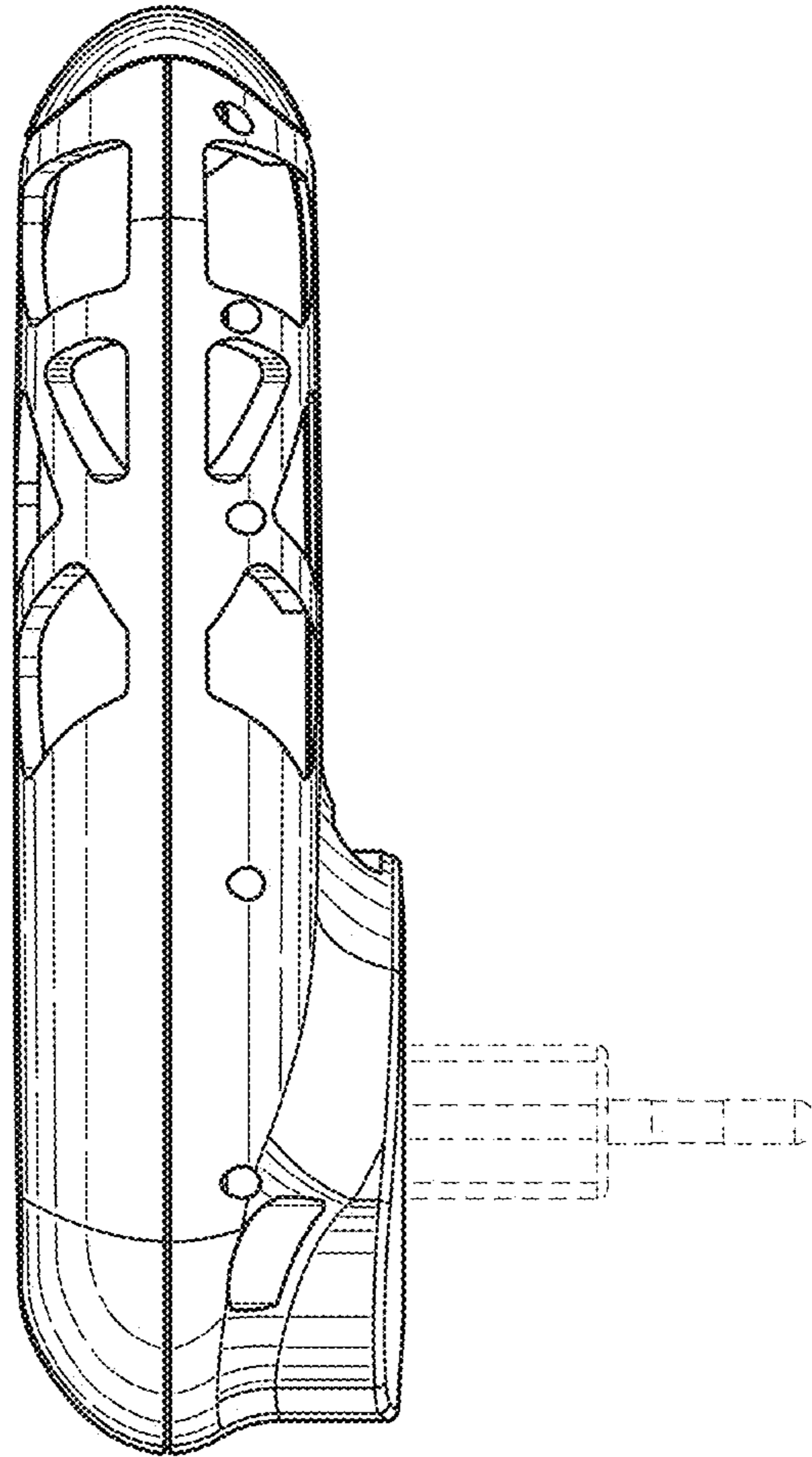


FIG.4

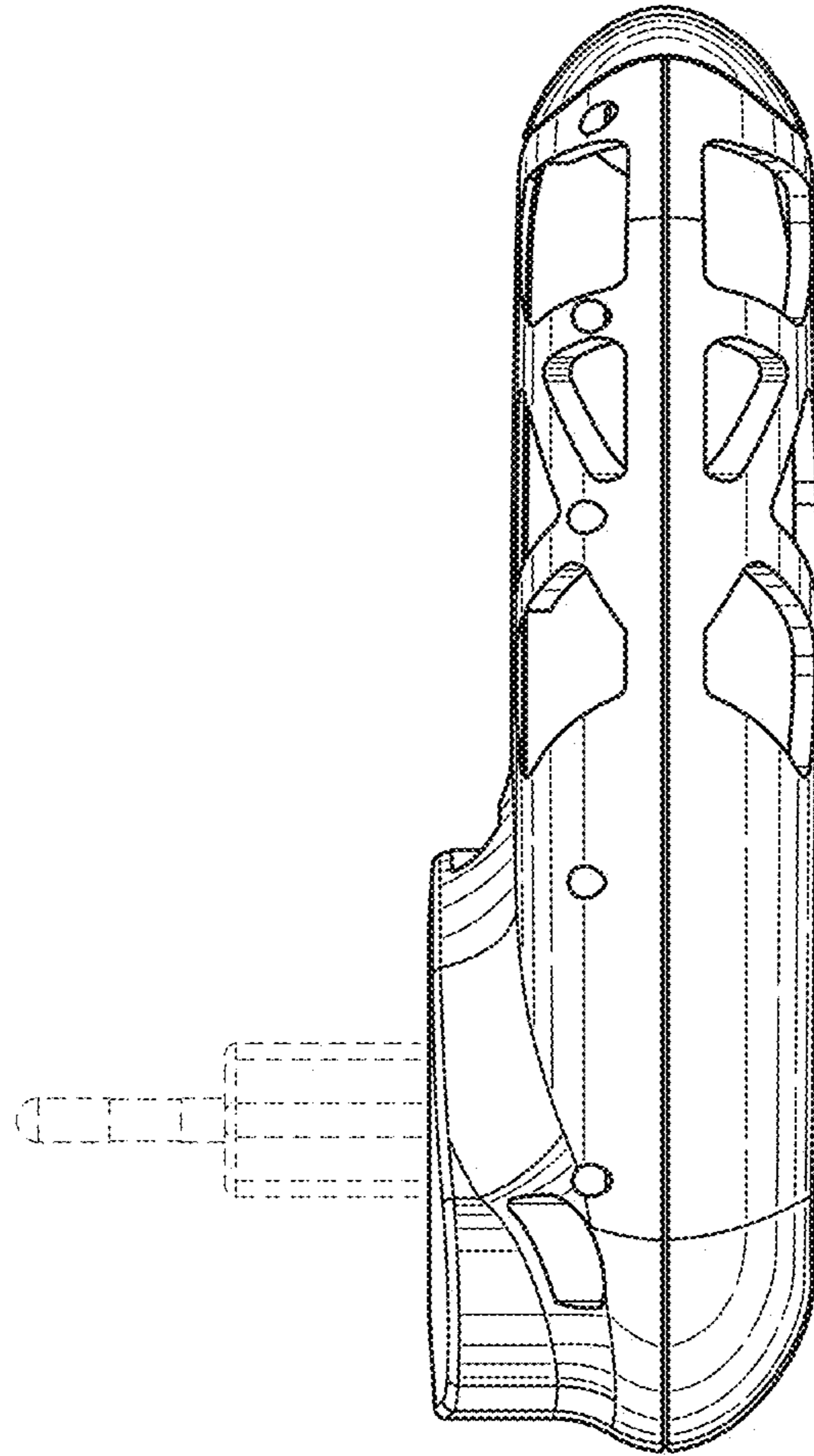


FIG.5

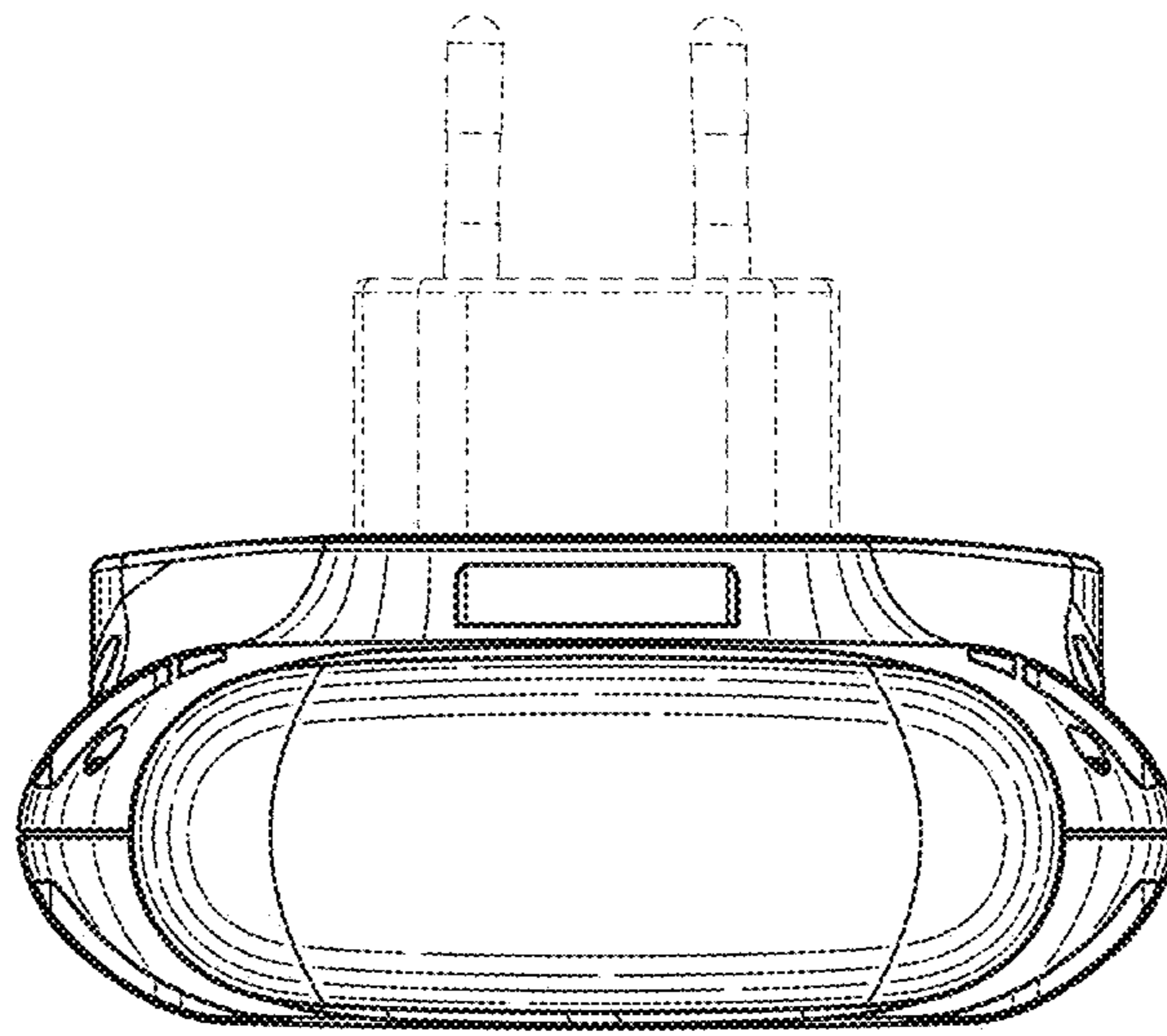


FIG.6

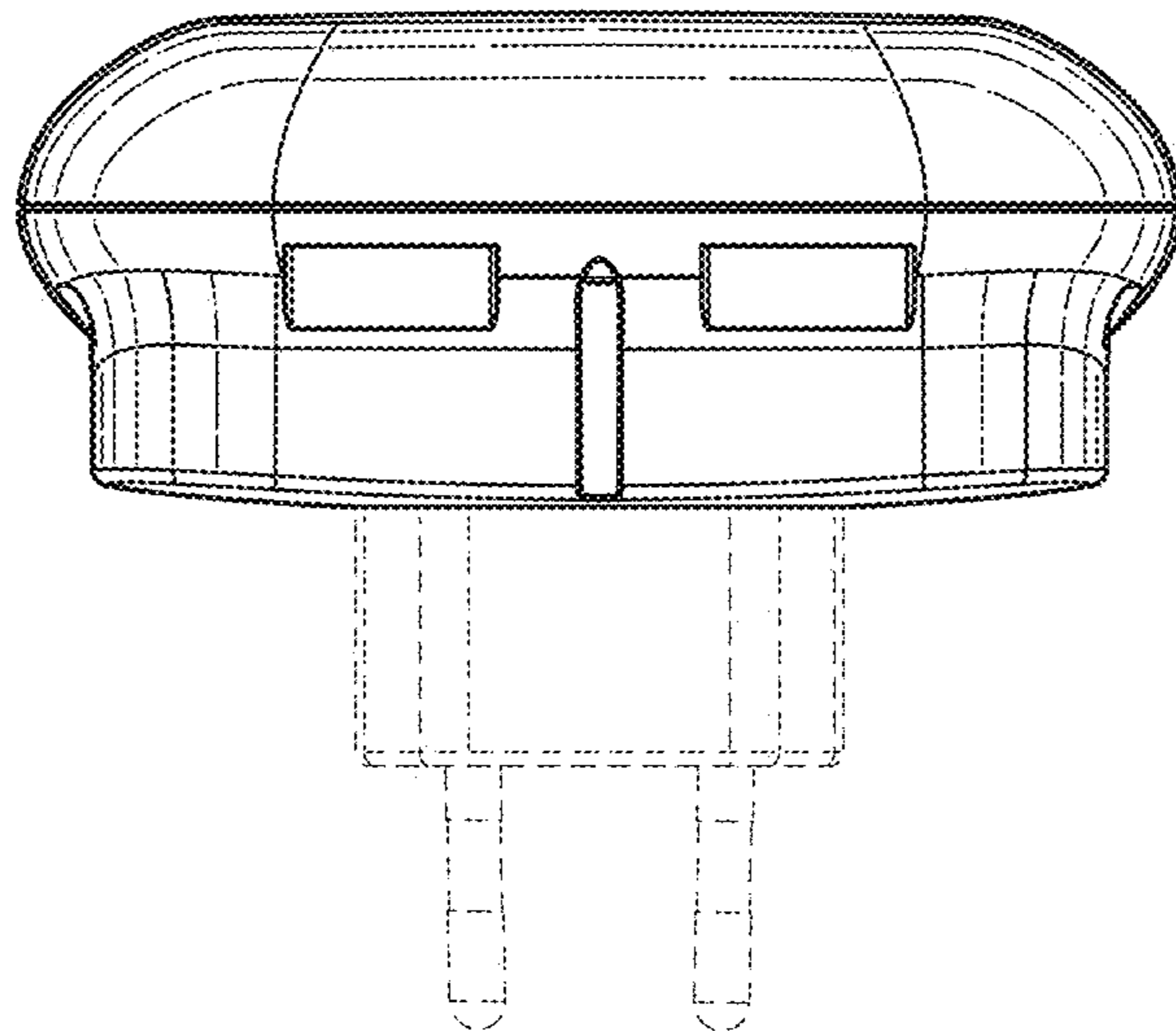


FIG.7

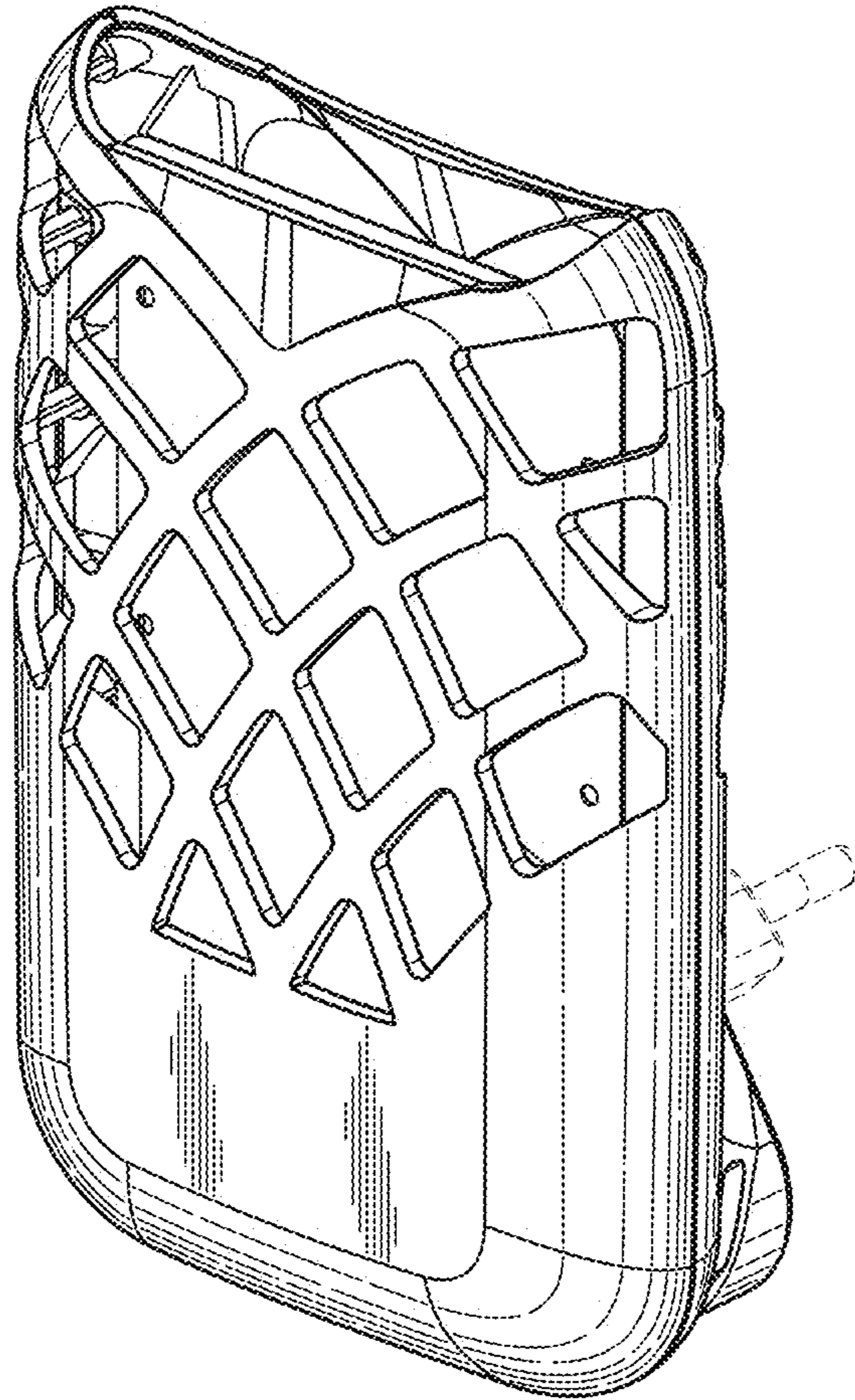


FIG.8

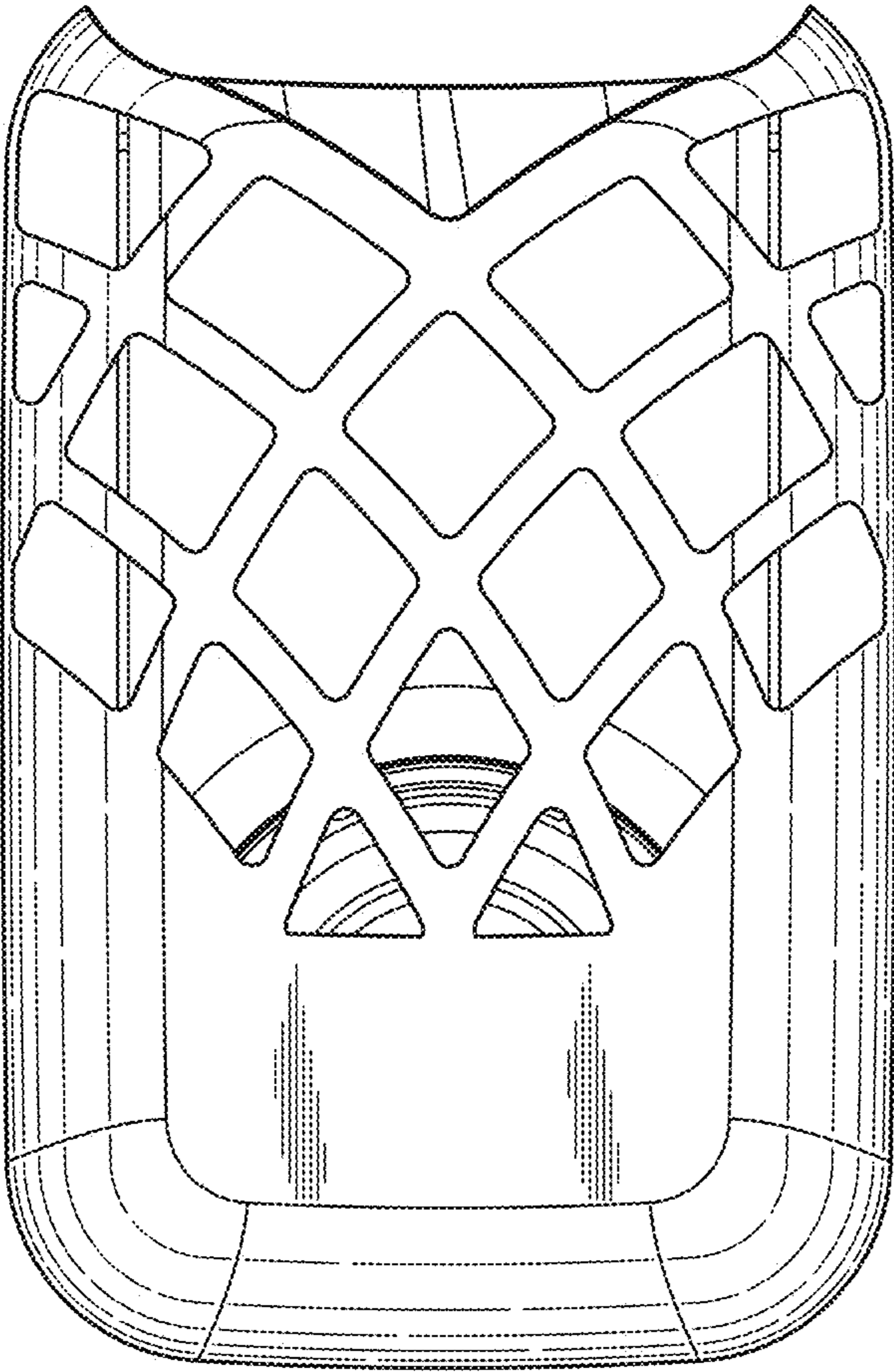


FIG. 9

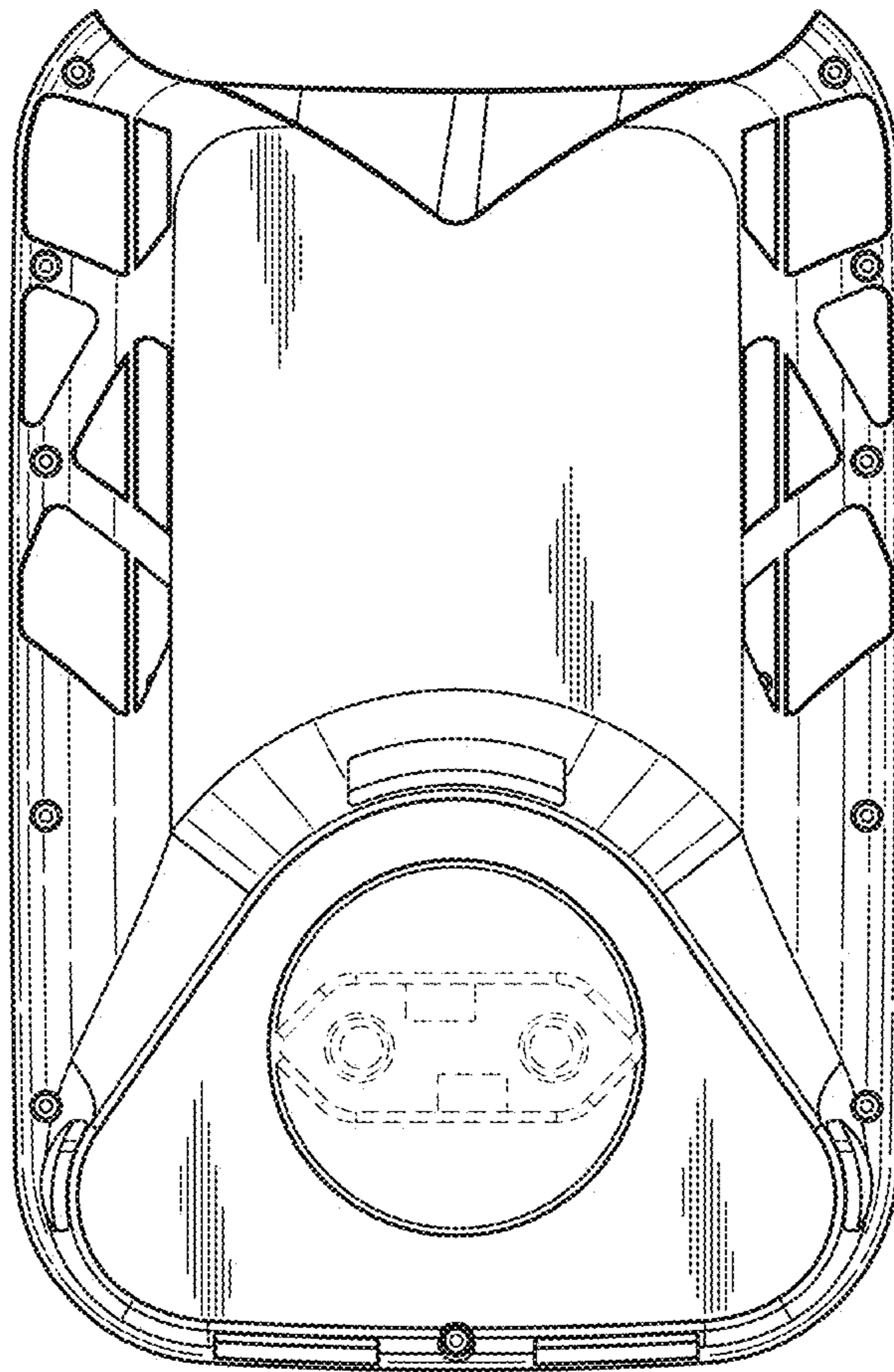


FIG.10

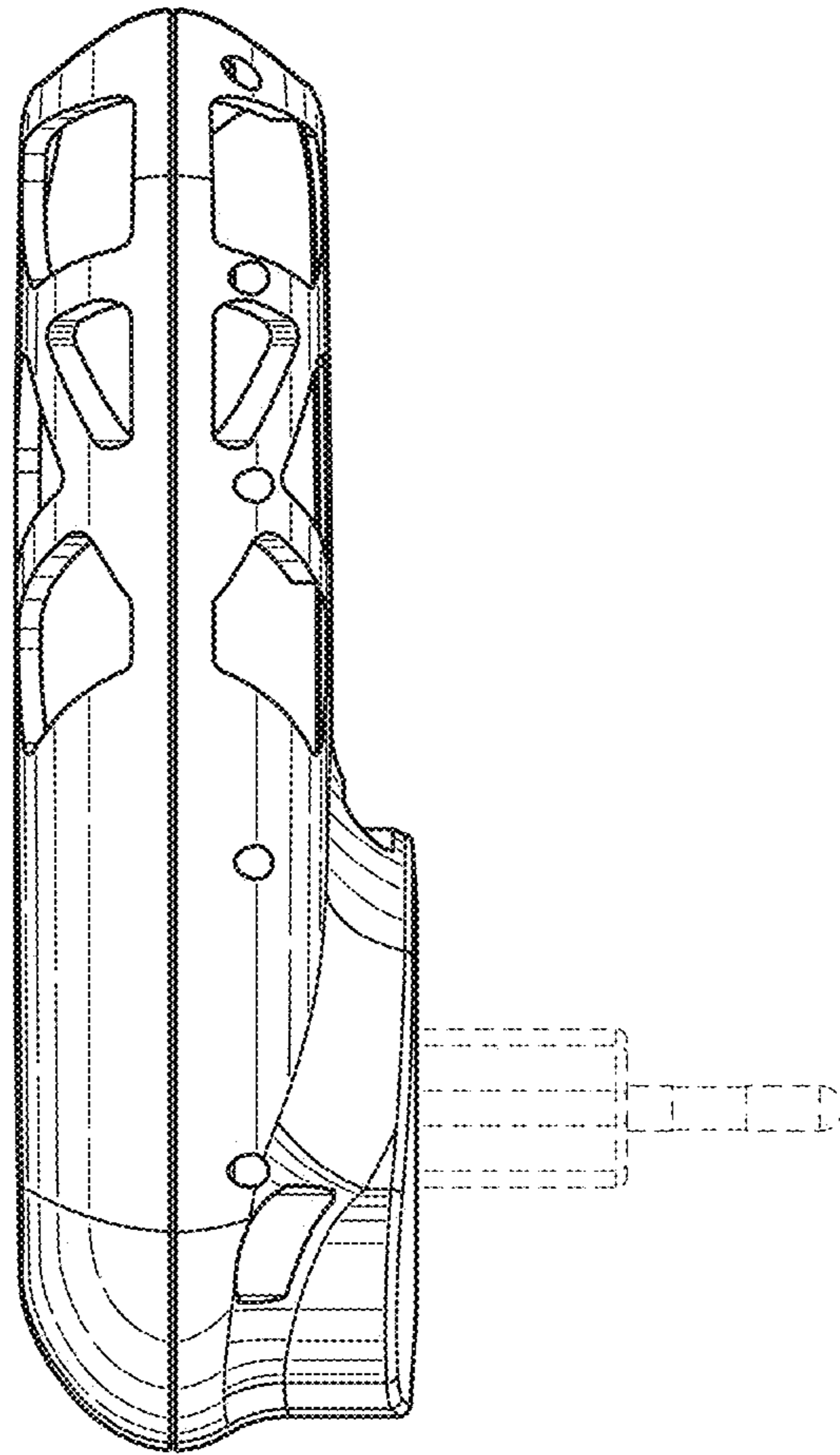


FIG. 11

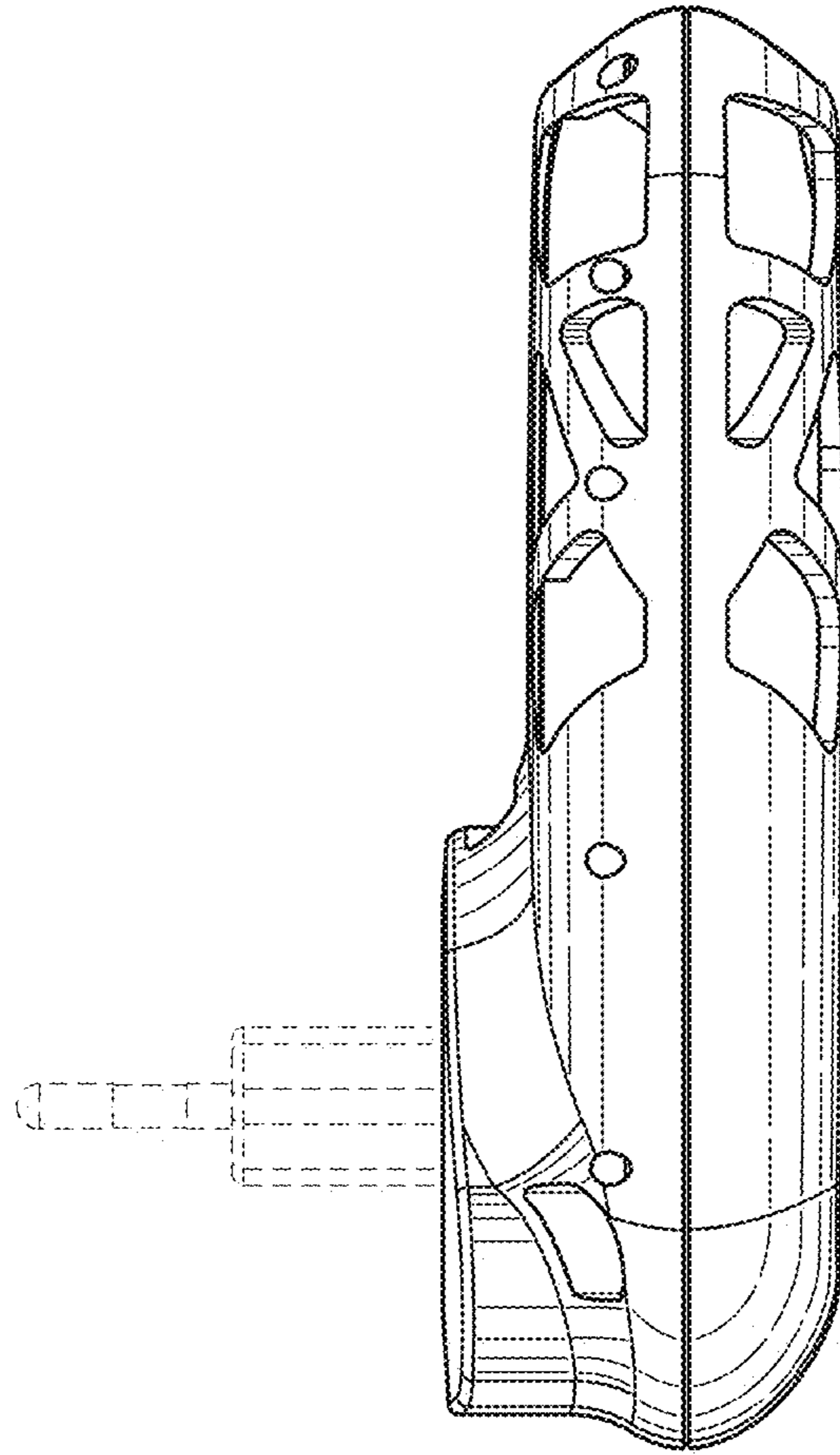


FIG.12

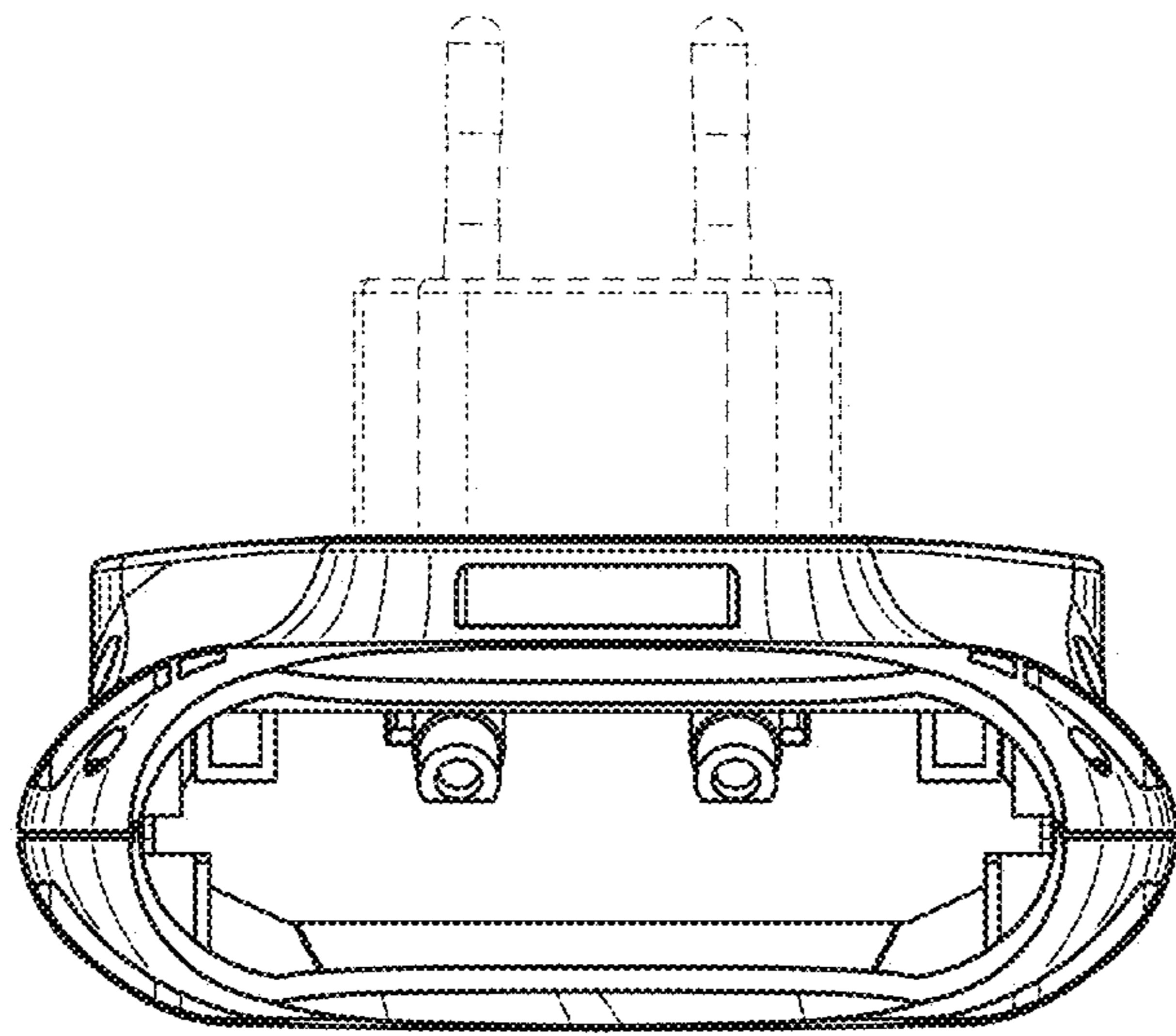


FIG.13

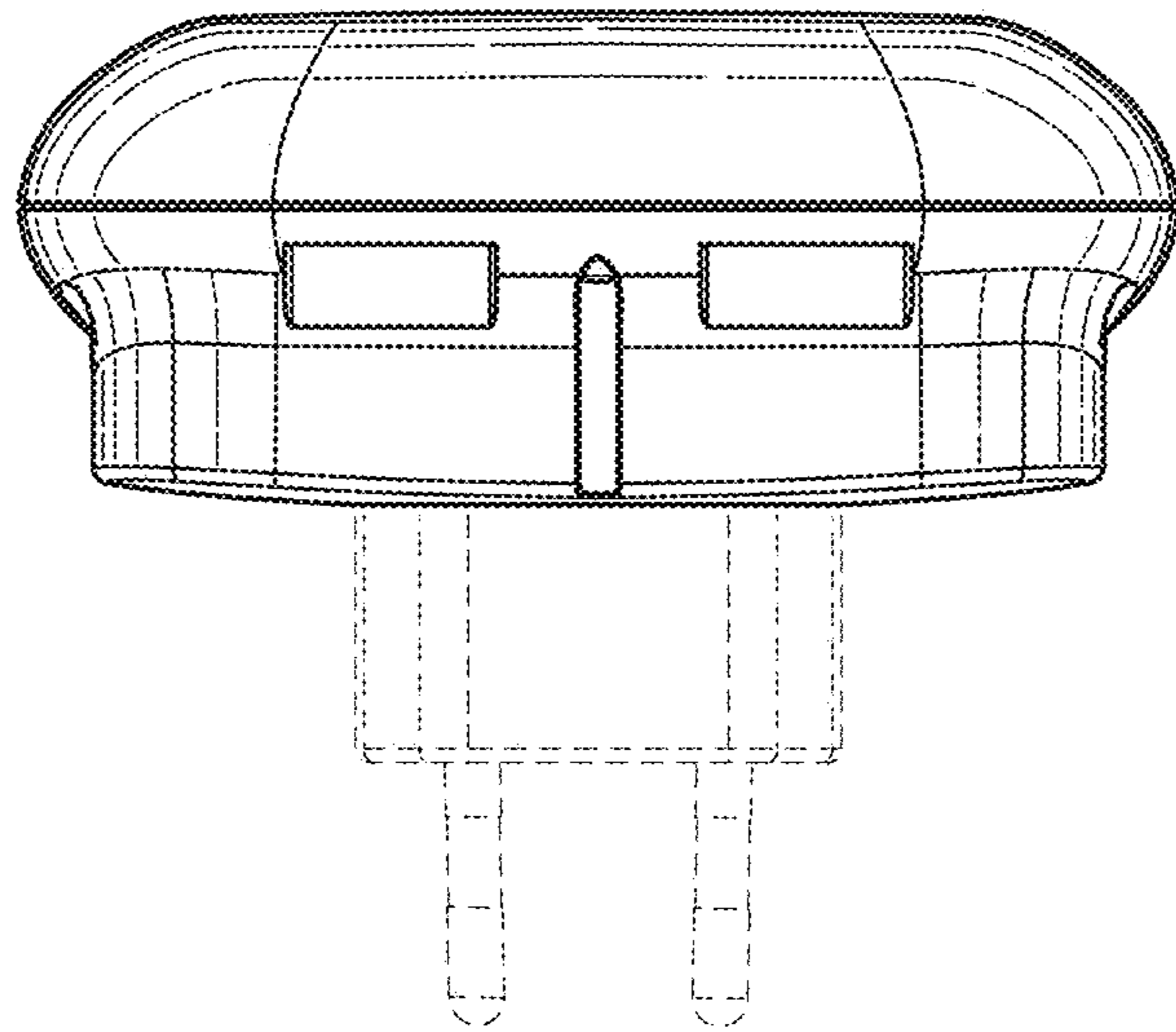


FIG.14

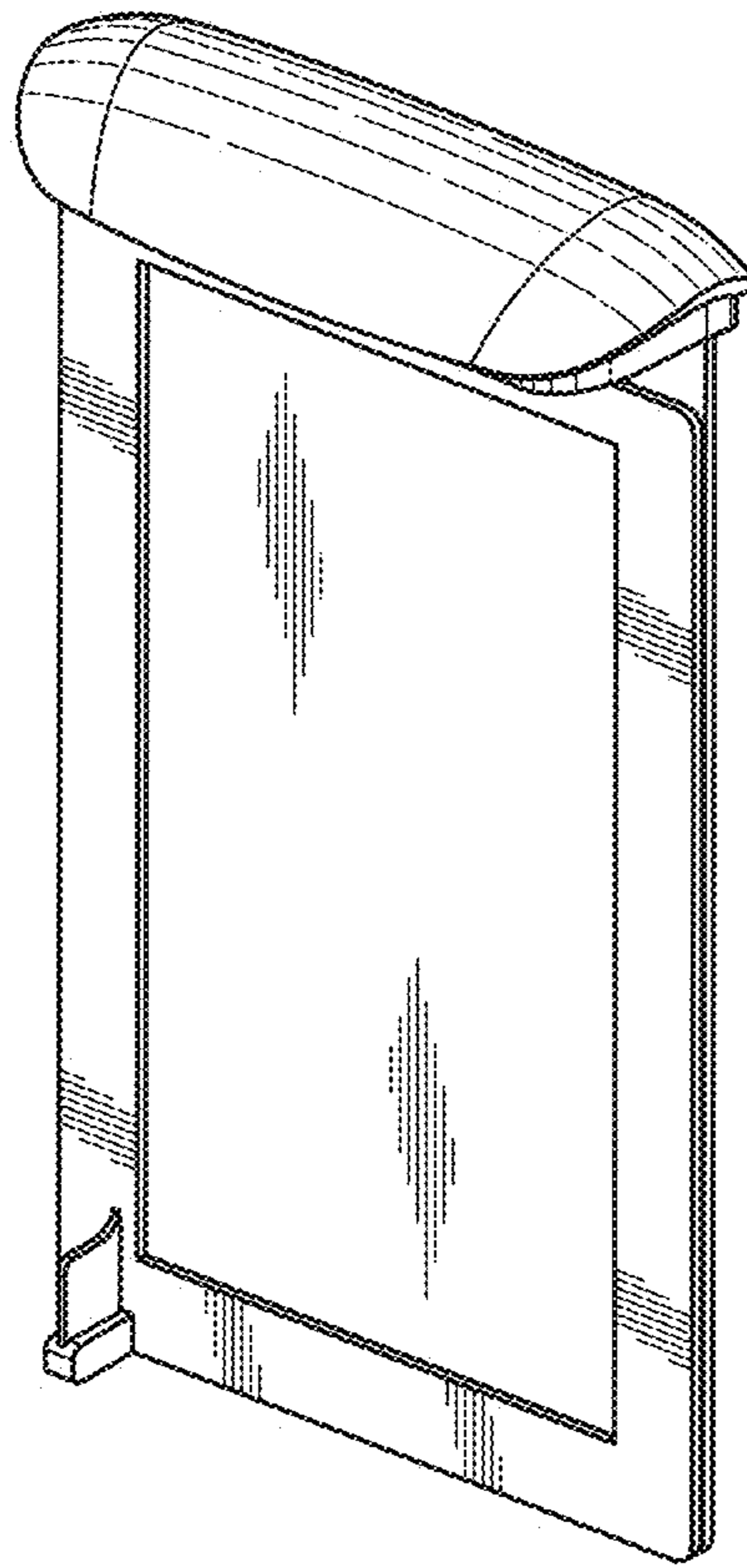


FIG. 15

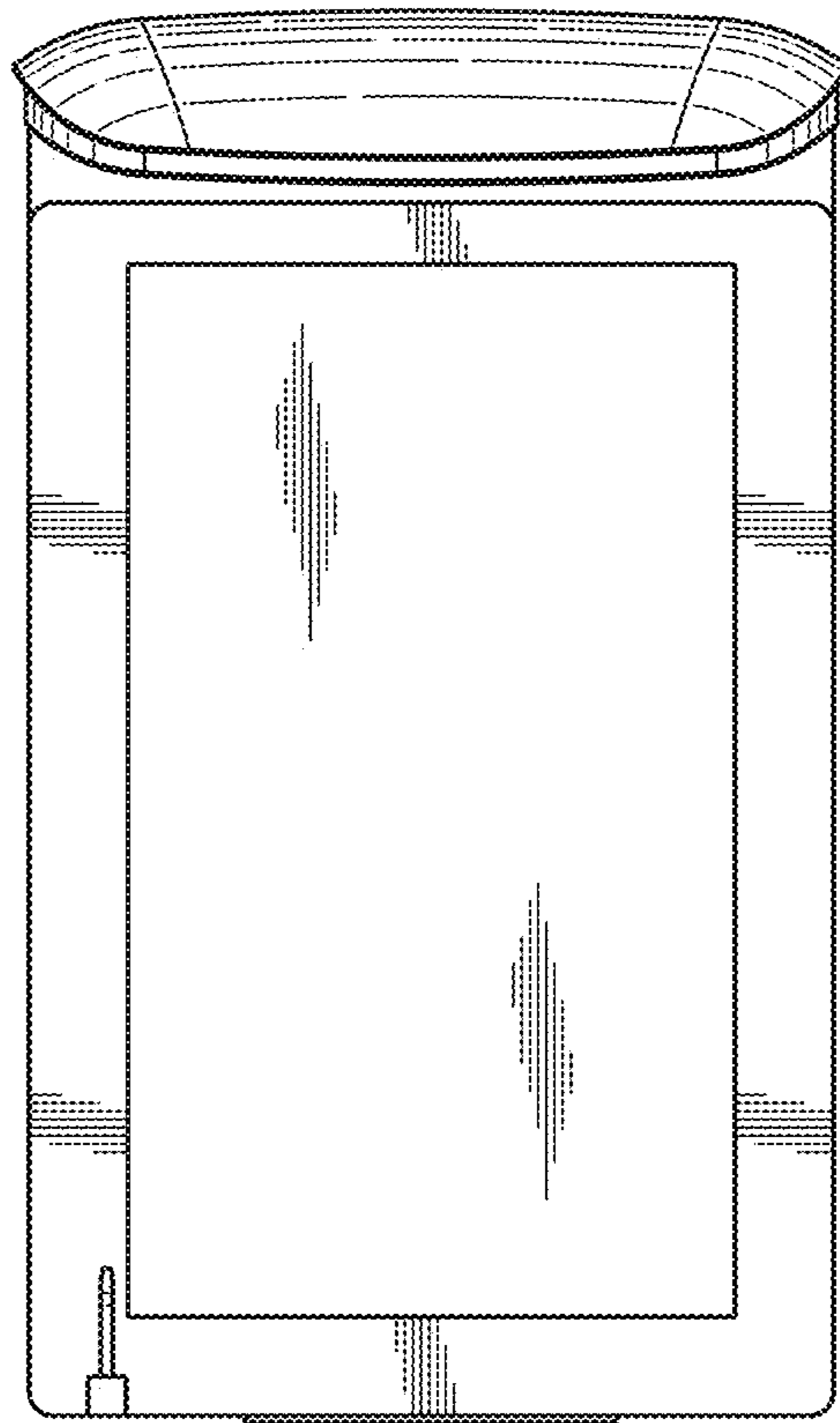


FIG. 16

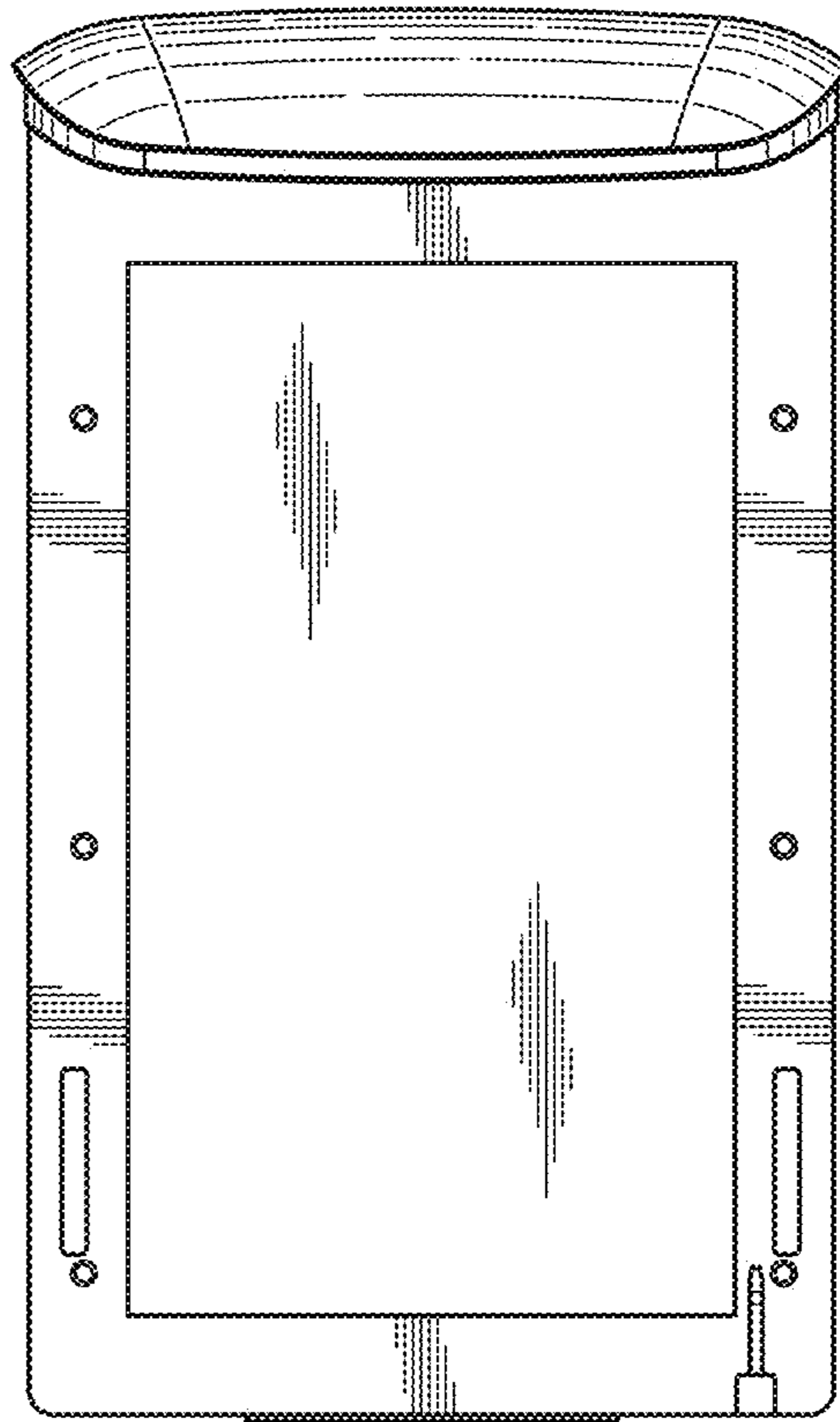


FIG. 17

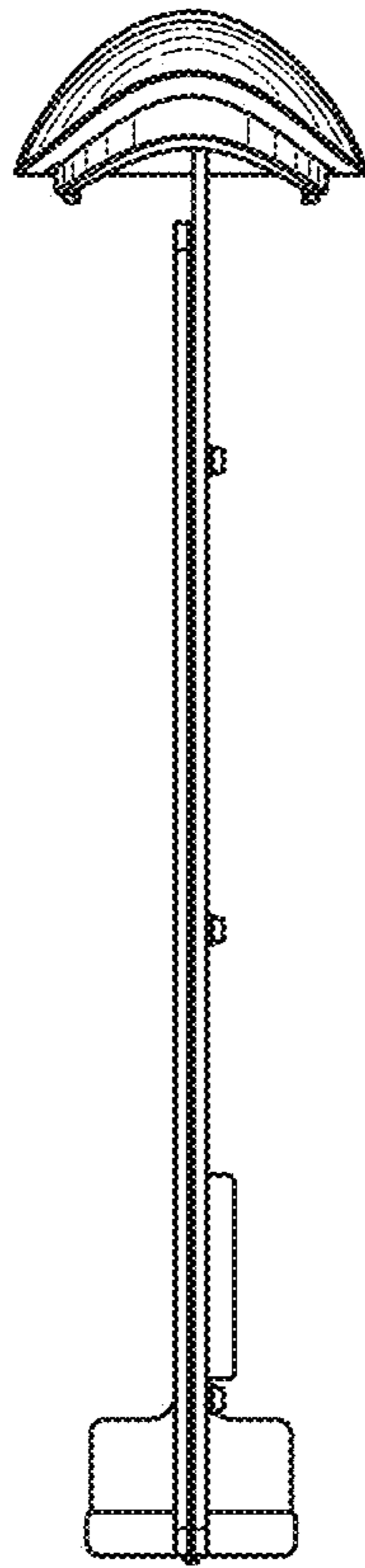


FIG. 18

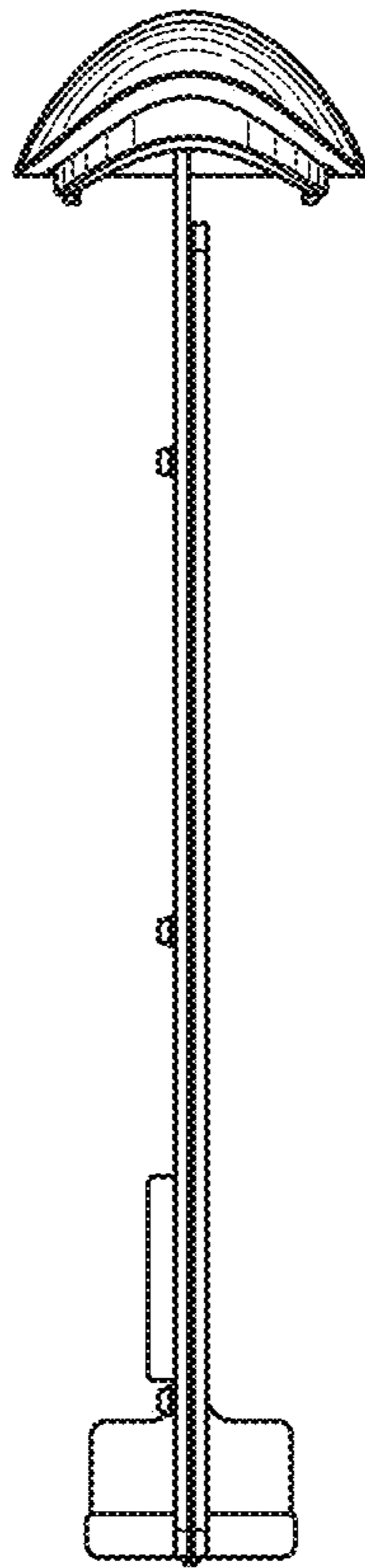


FIG. 19

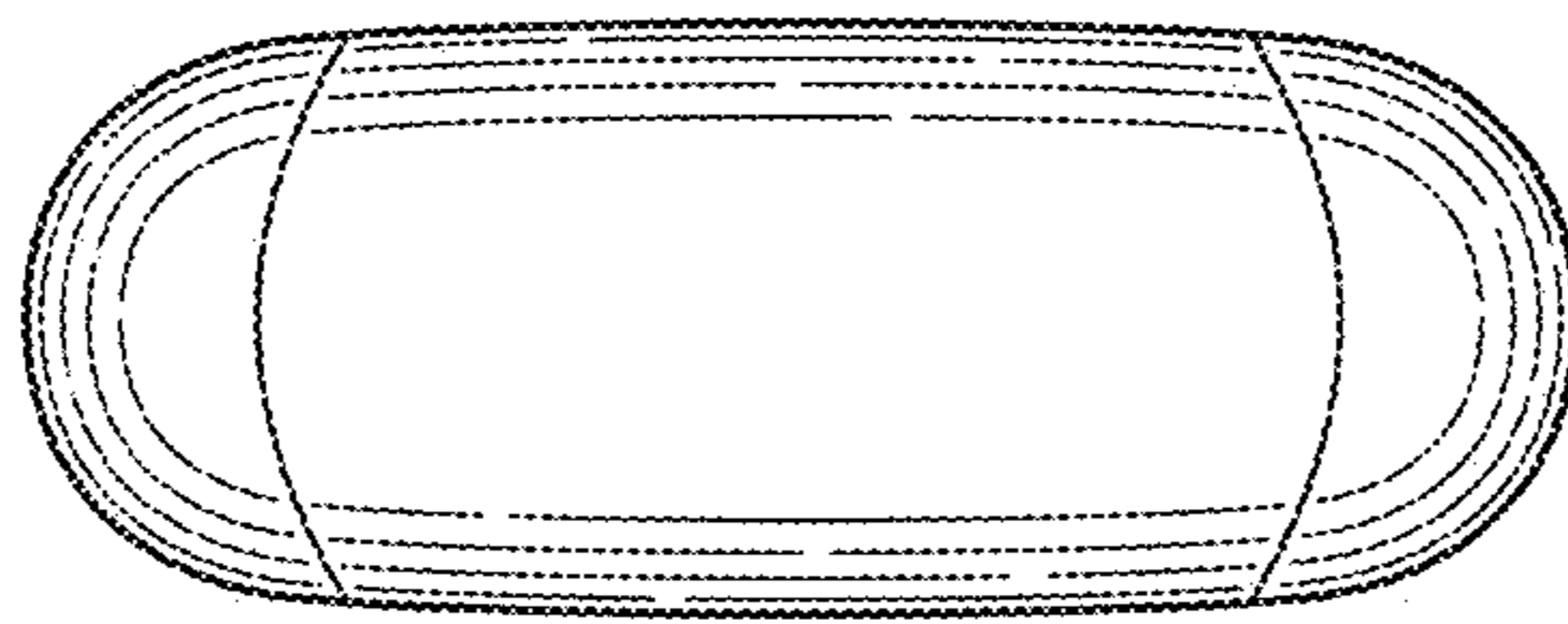


FIG. 20

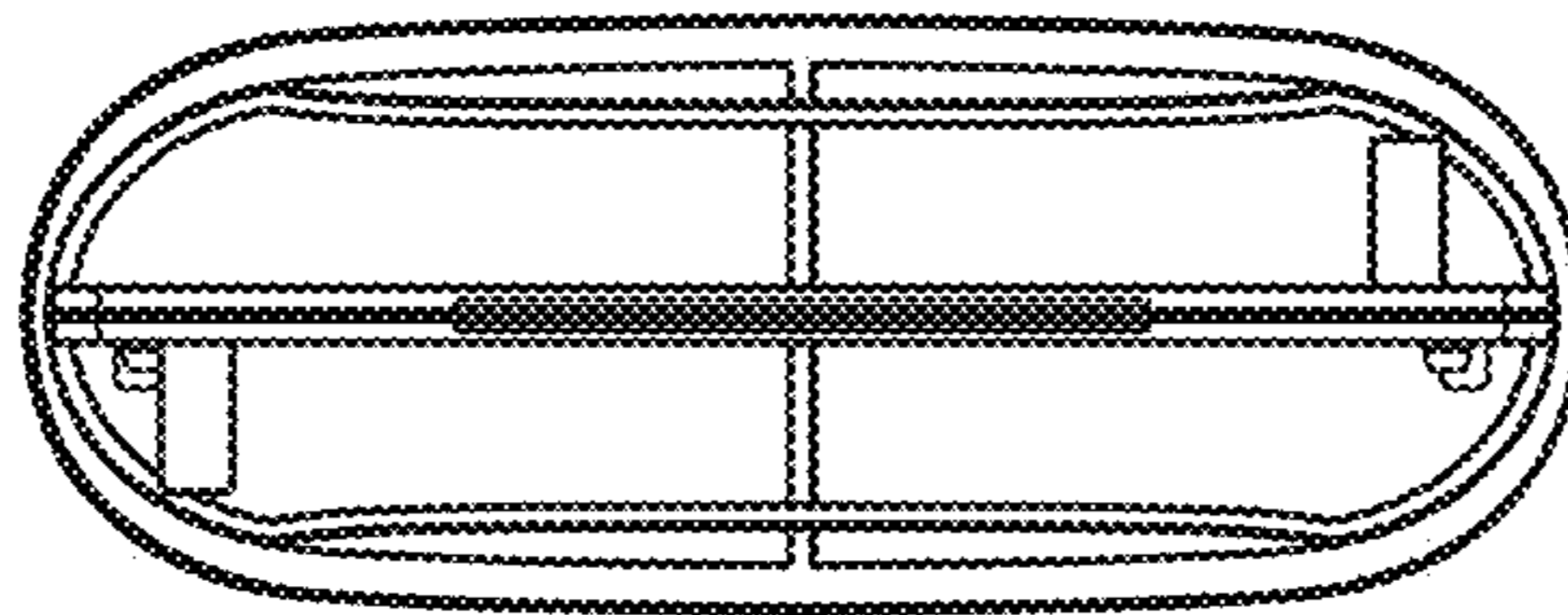


FIG. 21