



US00D926960S

(12) **United States Design Patent**
Strum et al.

(10) **Patent No.:** **US D926,960 S**

(45) **Date of Patent:** **** Aug. 3, 2021**

(54) **SCENT DEVICE**

(71) Applicant: **Marpac, LLC**, Wilmington, NC (US)

(72) Inventors: **Donald Strum**, Princeton, NJ (US);
Jessica Hurwit, Princeton, NJ (US);
Edith Wine, Wilmington, NC (US)

(73) Assignee: **Marpac, LLC**, Wilmington, NC (US)

(**) Term: **15 Years**

(21) Appl. No.: **29/642,399**

(22) Filed: **Mar. 29, 2018**

(51) **LOC (13) Cl.** **23-04**

(52) **U.S. Cl.**
USPC **D23/366**

(58) **Field of Classification Search**
USPC D23/208, 355-369; D14/209.1, 212-213
CPC A61L 9/02; A61L 9/03; A61L 9/12; A61L
9/035; A61L 9/125

See application file for complete search history.

(56) **References Cited**

U.S. PATENT DOCUMENTS

D334,935 S *	4/1993	Goto	D14/204
D349,499 S *	8/1994	Collins	D14/216
D395,494 S *	6/1998	Becker	D23/366
D398,047 S *	9/1998	Chen	D23/366
D419,659 S *	1/2000	Yang	D23/366

D483,460 S *	12/2003	Millan	D23/366
D491,257 S *	6/2004	Picken, Jr.	D23/366
D520,622 S *	5/2006	Yamamoto	D23/366
D534,160 S *	12/2006	Lin	D14/216
D787,658 S *	5/2017	Civale	D22/122
D788,075 S *	5/2017	Bailey	D14/204
D896,808 S *	9/2020	Koh	D14/314

* cited by examiner

Primary Examiner — Sheryl Lane

Assistant Examiner — Calvin E Vansant

(74) *Attorney, Agent, or Firm* — Nexsen Pruet, PLLC; E. Eric Mills

(57) **CLAIM**

The ornamental design for a scent device, as shown and described.

DESCRIPTION

FIG. 1 is a top perspective view of a scent device showing our new design;

FIG. 2 is a bottom perspective view thereof;

FIG. 3 is a top view thereof;

FIG. 4 is a bottom view thereof;

FIG. 5 is a front view thereof;

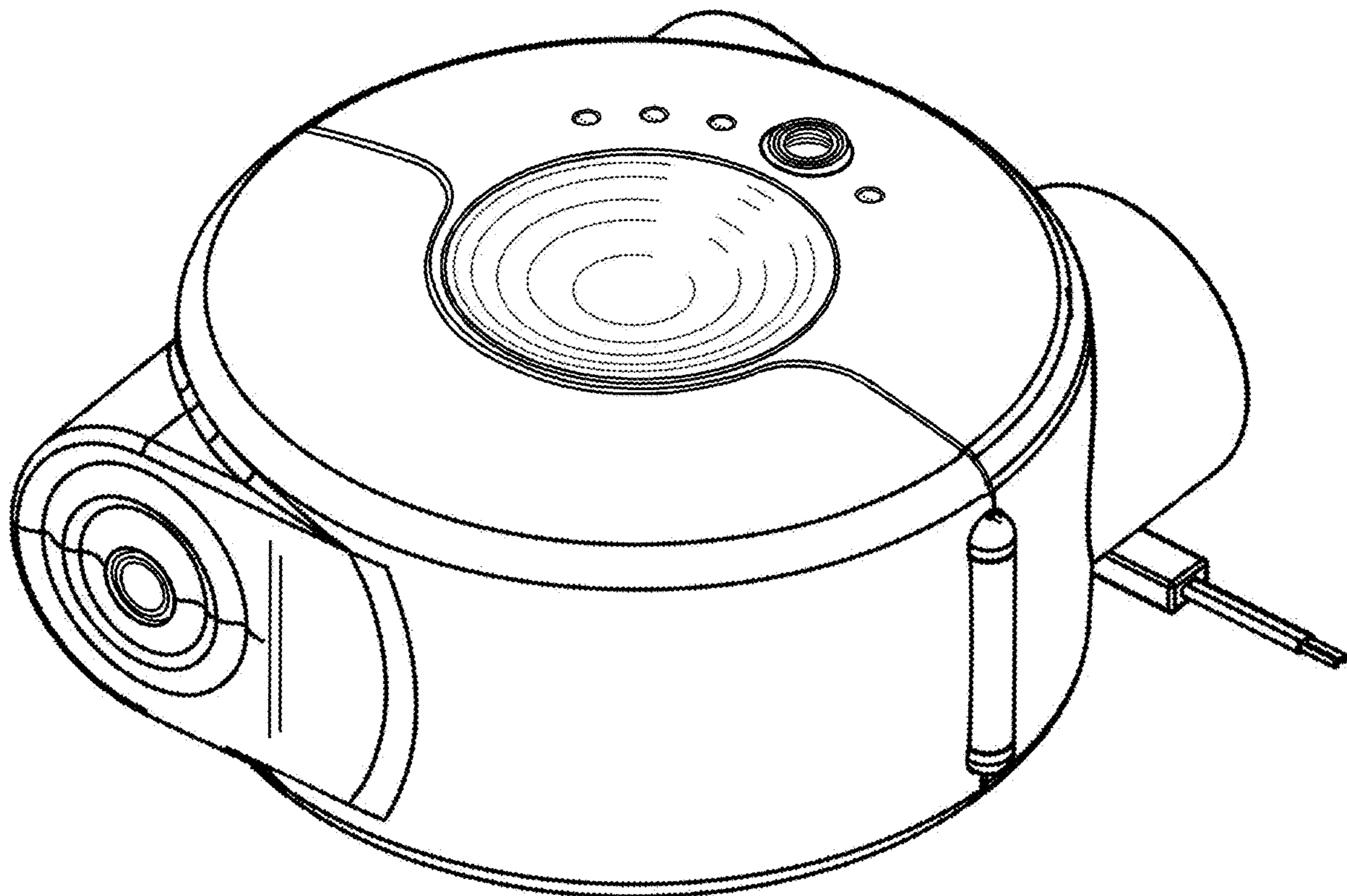
FIG. 6 is a back view thereof;

FIG. 7 is a right view thereof; and,

FIG. 8 is a left side view thereof.

The portions of the article shown in broken lines form no part of the claimed design.

1 Claim, 8 Drawing Sheets



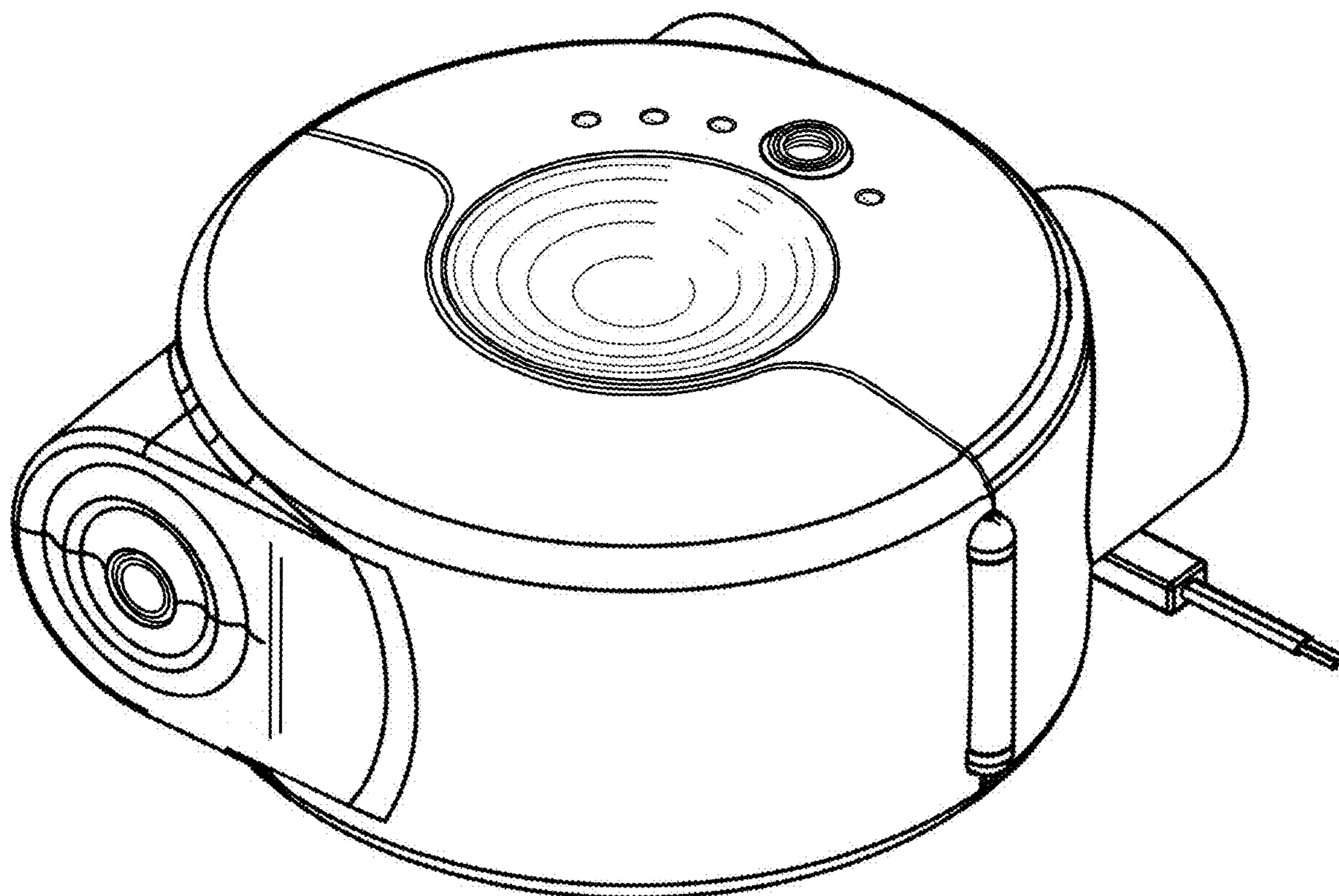


FIG. 1

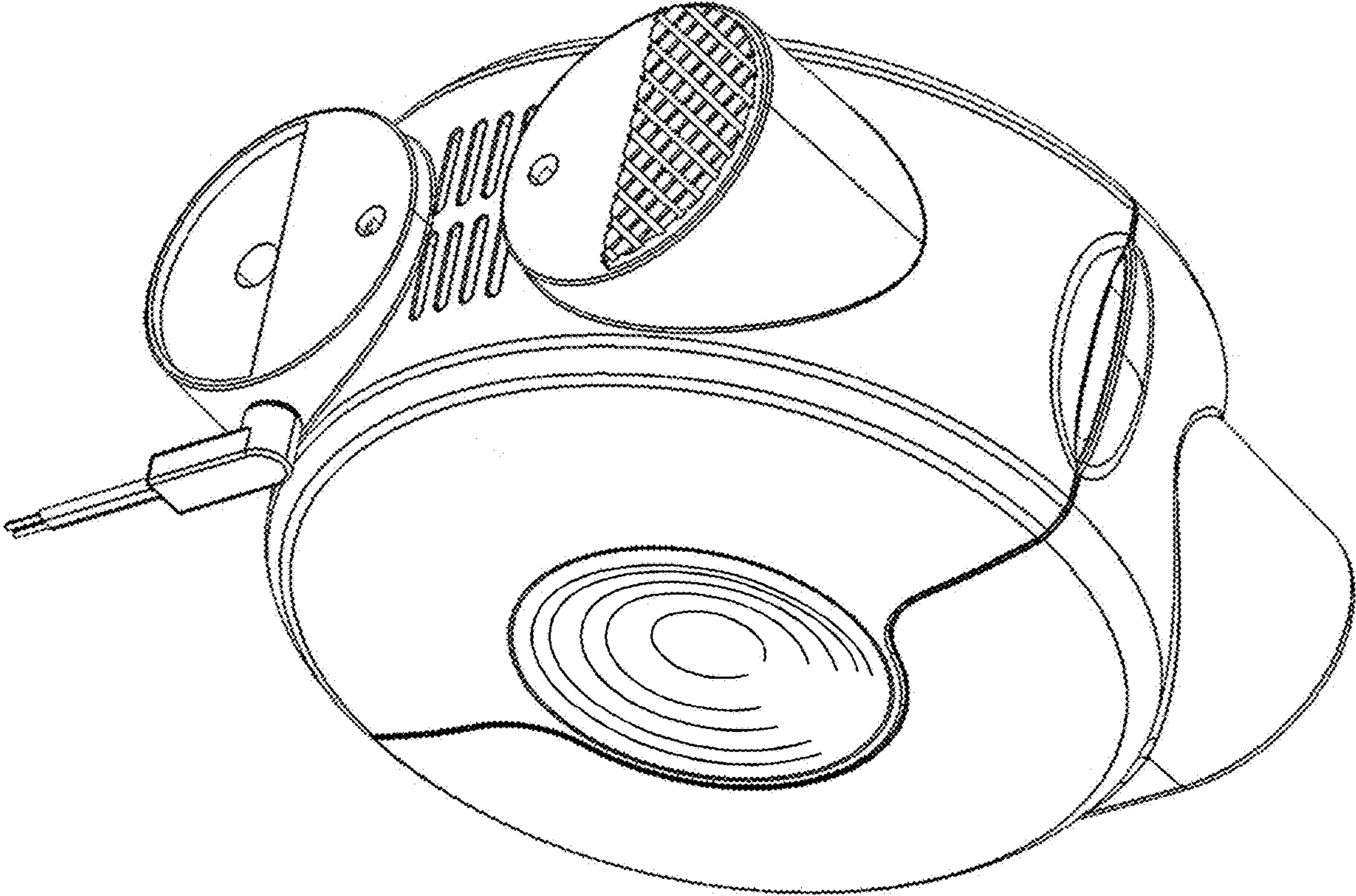


FIG. 2

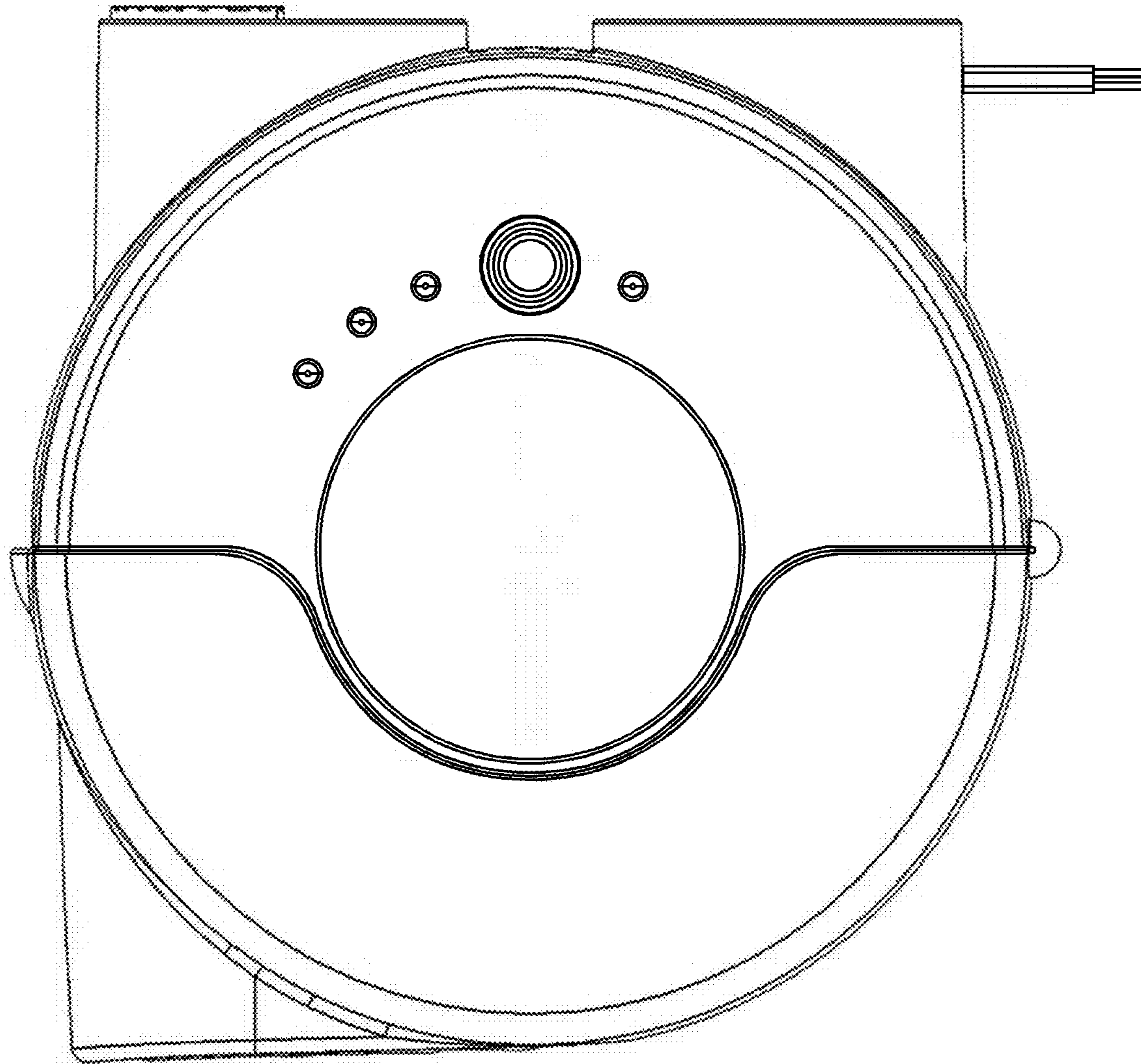


FIG. 3

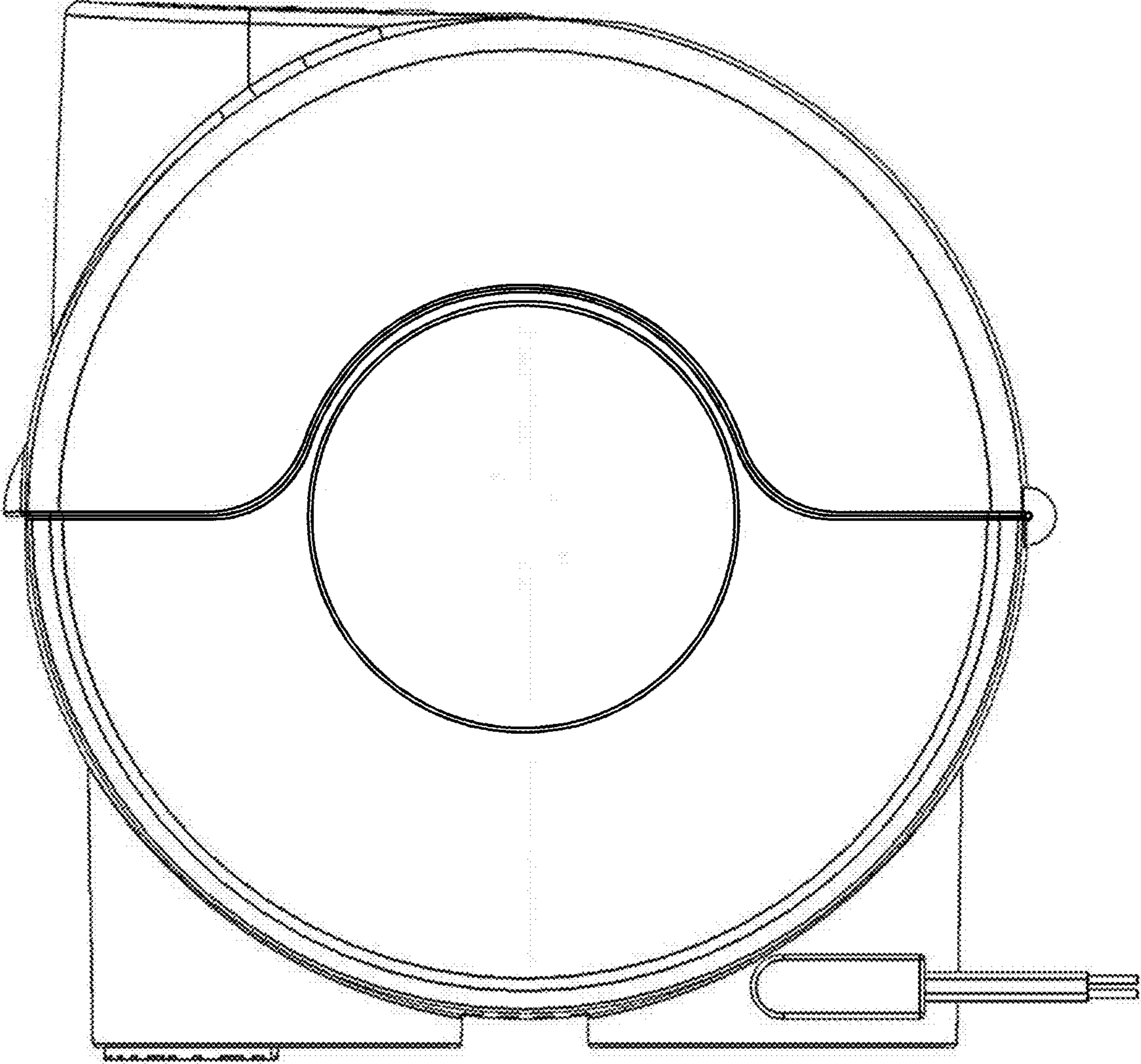


FIG. 4

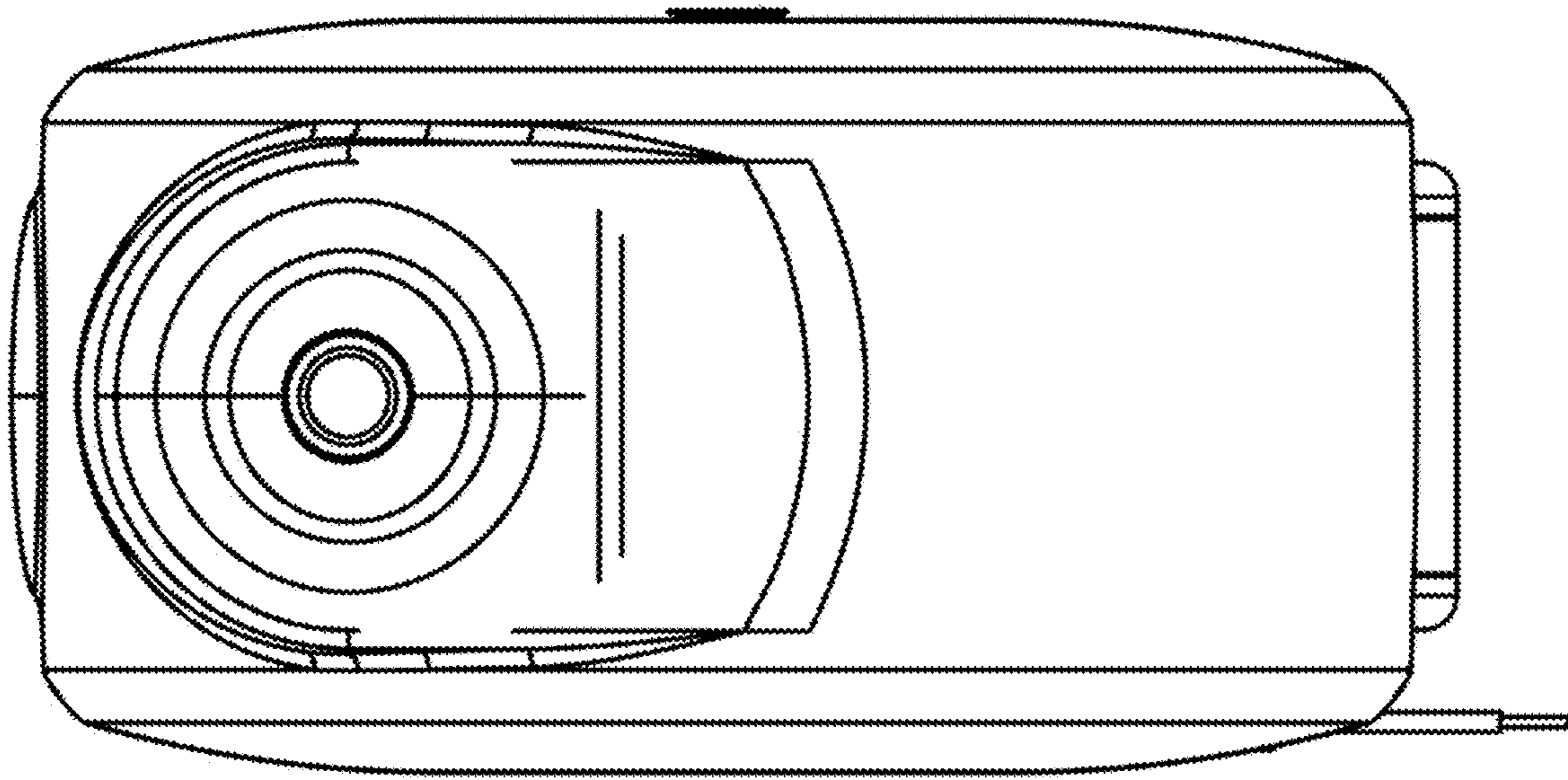


FIG. 5

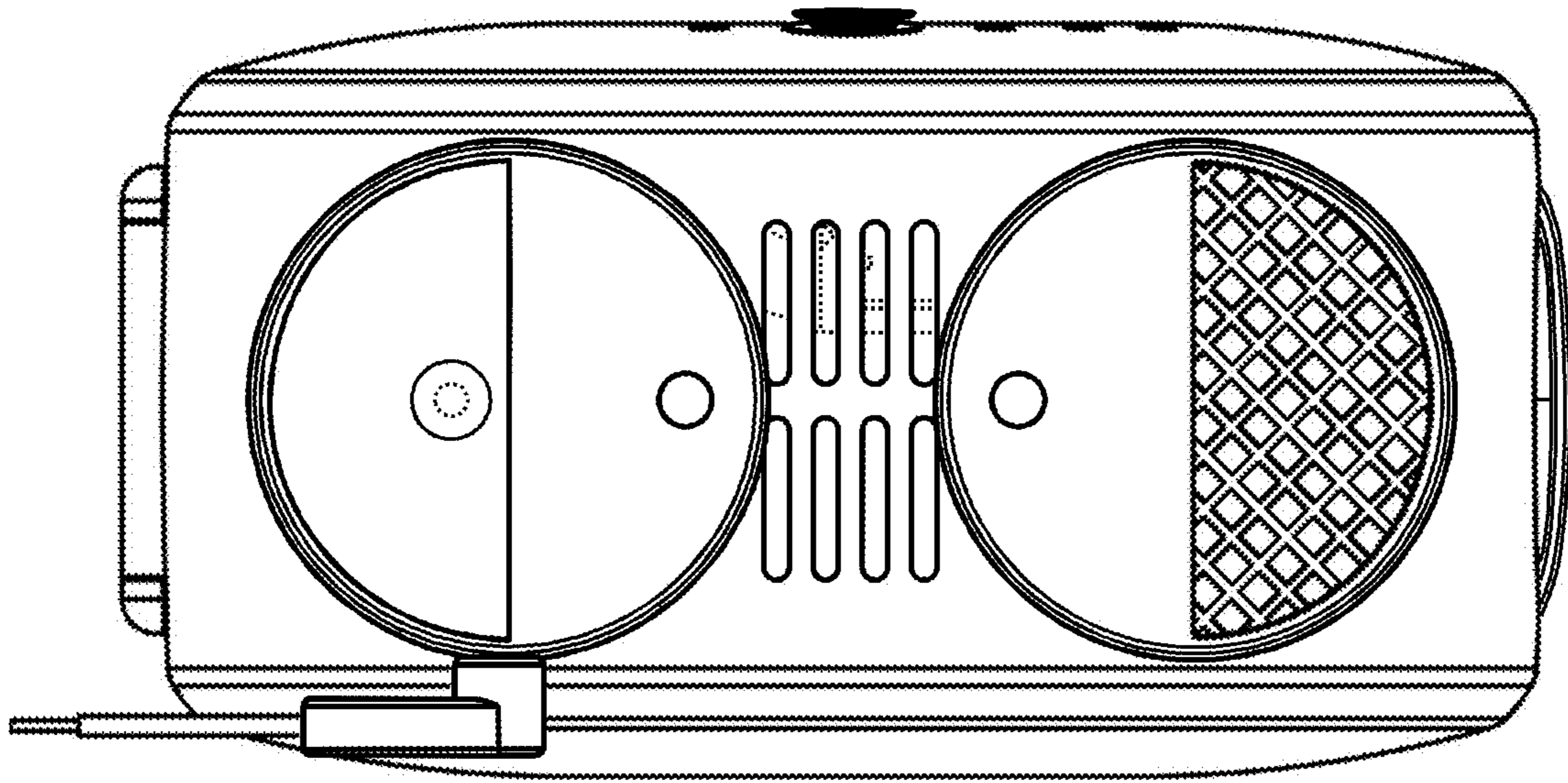


FIG. 6

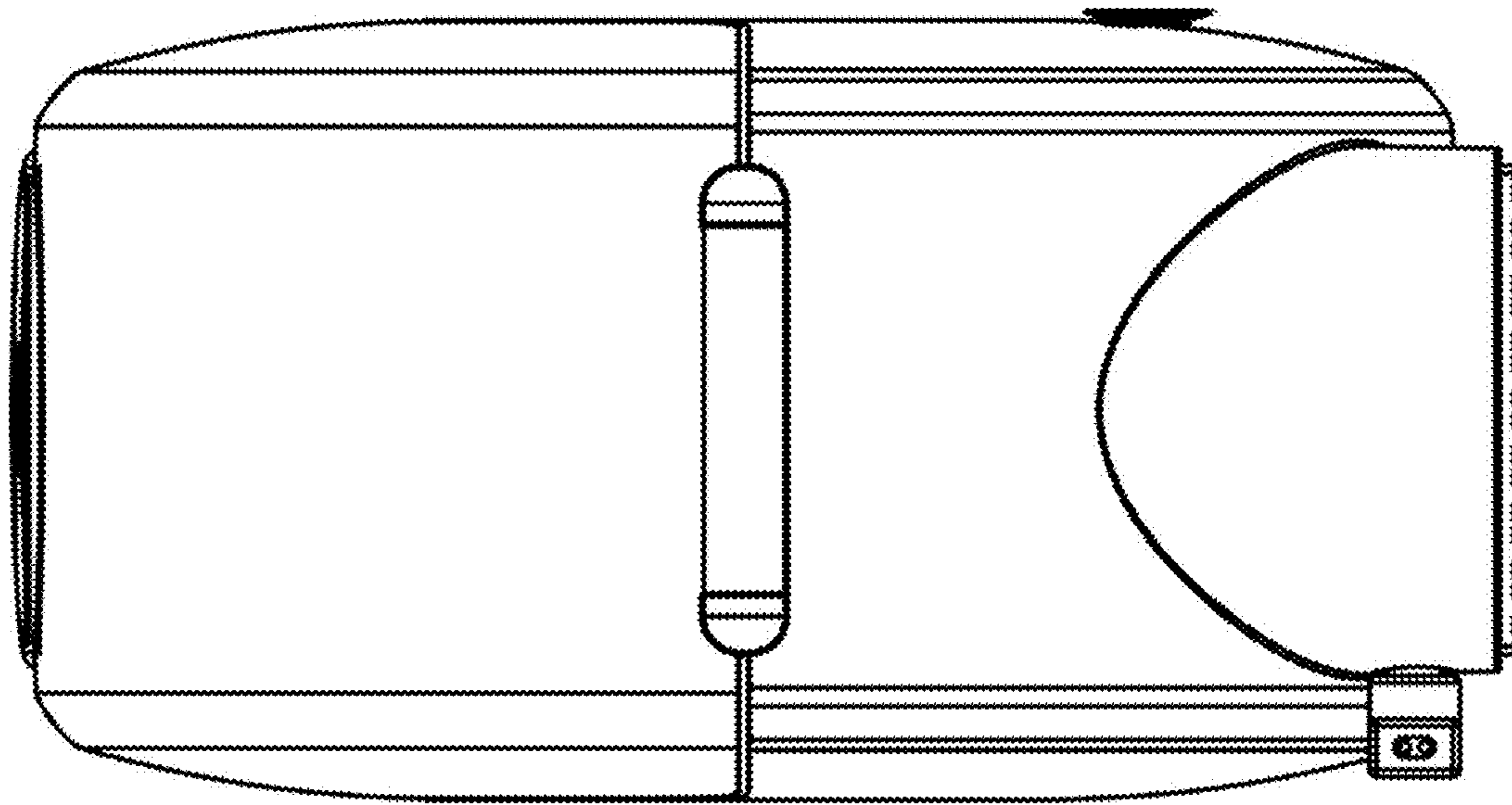


FIG. 7

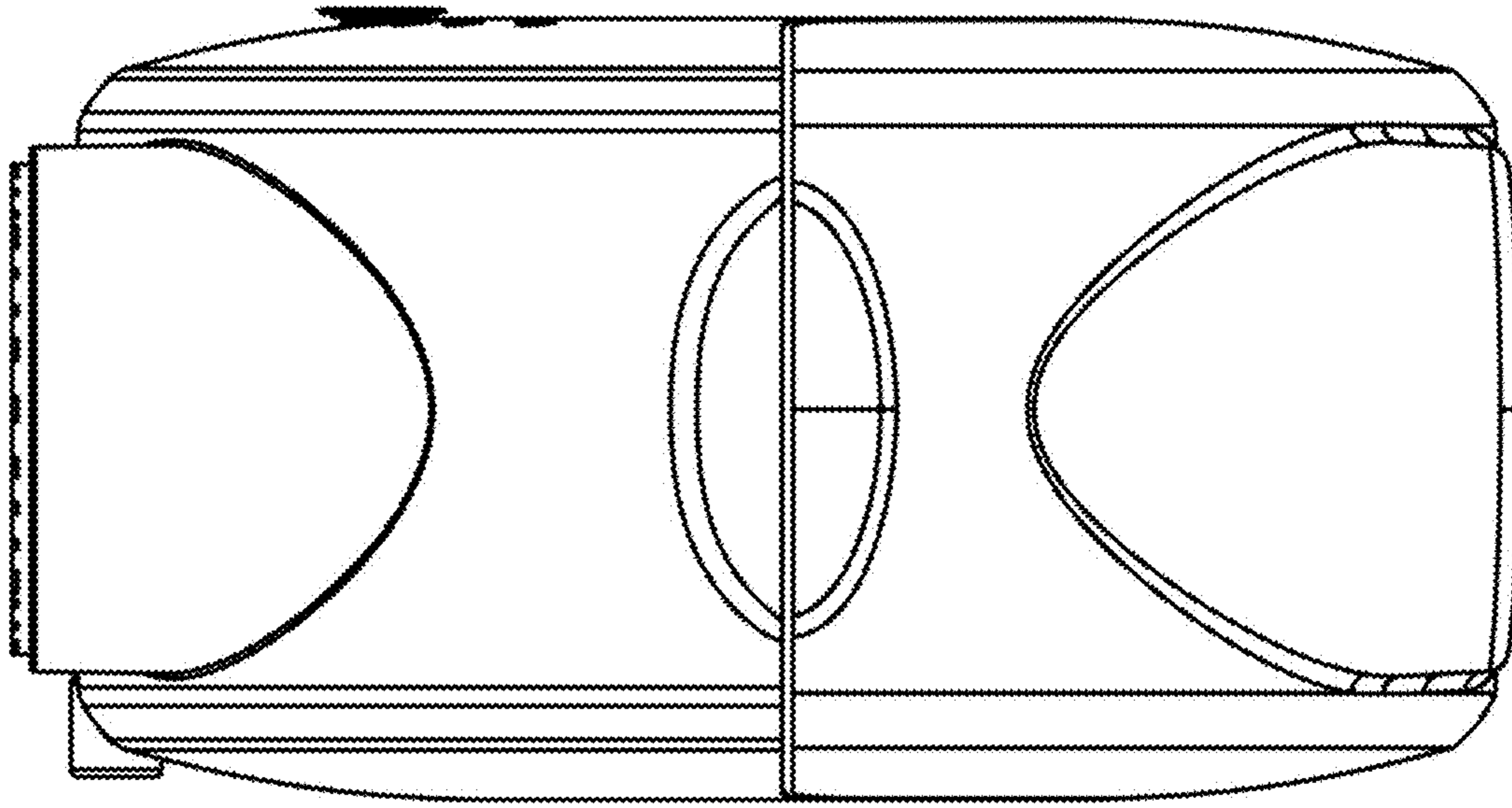


FIG. 8