



US00D926958S

(12) **United States Design Patent** (10) **Patent No.:** **US D926,958 S**  
**Hamilton et al.** (45) **Date of Patent:** **\*\* Aug. 3, 2021**

(54) **HUMIDIFIER HEATERBASE**  
(71) Applicant: **Fisher & Paykel Healthcare Limited**,  
Auckland (NZ)  
(72) Inventors: **Mark Samuel Hamilton**, Auckland  
(NZ); **Paul Fleming Buckley**, Auckland  
(NZ); **Stephen David Evans**, Auckland  
(NZ); **Bruce Gordon Holyoake**,  
Auckland (NZ); **Jason Allan Klenner**,  
Auckland (NZ)  
(73) Assignee: **Fisher & Paykel Healthcare Limited**,  
Auckland (NZ)  
(\*\*) Term: **15 Years**  
(21) Appl. No.: **29/733,398**  
(22) Filed: **May 1, 2020**

**Related U.S. Application Data**

(62) Division of application No. 29/584,852, filed on Nov.  
17, 2016, now Pat. No. Des. 886,267, which is a  
division of application No. 29/521,116, filed on Mar.  
19, 2015, now Pat. No. Des. 772,388.  
(51) **LOC (13) Cl.** ..... **23-04**  
(52) **U.S. Cl.**  
USPC ..... **D23/356**  
(58) **Field of Classification Search**  
USPC ..... D23/355, 356, 359, 360, 364, 366, 368,  
D23/386, 332; D15/79; 55/356, 473,  
55/504; 422/120, 122; 96/97  
CPC .. A61L 9/16; A61L 9/22; B01D 47/00; B01D  
47/027; B01D 2221/02; B01D 2259/4508;  
B03C 3/155; F24F 3/16; F24F 13/20;  
F24F 13/28; F24F 2001/0096; F24F  
3/1405; F24F 3/1603; F24F 13/222  
See application file for complete search history.

(56) **References Cited**  
U.S. PATENT DOCUMENTS  
D98,664 S 11/1935 Edelman  
D208,514 S 9/1967 Hartwell  
D242,565 S 11/1976 Green  
D337,817 S 7/1993 Brock  
D421,648 S 3/2000 Jane et al.  
D425,976 S 5/2000 Stützer et al.  
D430,656 S 9/2000 Farrage et al.  
D496,407 S 9/2004 Gadda et al.  
D542,900 S 5/2007 Snow et al.  
D559,371 S 1/2008 Snow et al.  
D559,917 S 1/2008 Cole  
D580,539 S 11/2008 Rittri et al.  
D587,319 S \* 2/2009 Moises Deiab ..... D21/325  
(Continued)

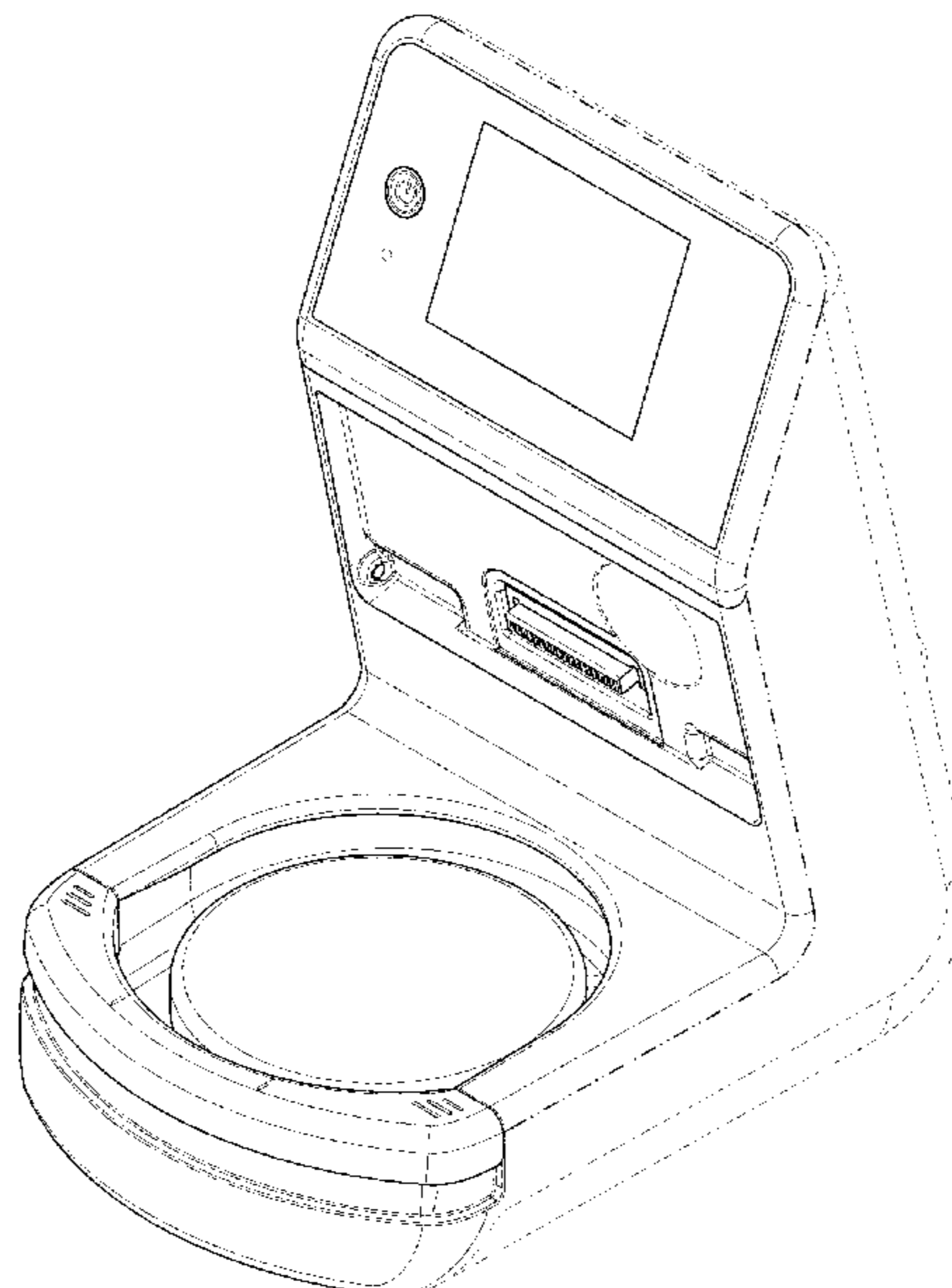
*Primary Examiner* — Nathan M Johnston  
(74) *Attorney, Agent, or Firm* — Knobbe, Martens, Olson  
& Bear, LLP

(57) **CLAIM**  
The ornamental design for a humidifier heaterbase, as shown  
and described.

**DESCRIPTION**

FIG. 1 is a top, front and side perspective view of an  
embodiment of a humidifier heaterbase embodying our new  
design.  
FIG. 2 is a bottom, rear and right side perspective view  
thereof.  
FIG. 3 is a front view thereof.  
FIG. 4 is a rear view thereof.  
FIG. 5 is a right side view thereof.  
FIG. 6 is a left side view thereof.  
FIG. 7 is a top view thereof; and,  
FIG. 8 is a bottom view thereof.  
Broken lines are used to illustrate features of the humidifier  
heaterbase which form no part of the claimed design. The  
dot dot dash lines represent boundaries of the claimed  
design.

**1 Claim, 8 Drawing Sheets**



(56)

**References Cited**

U.S. PATENT DOCUMENTS

D596,678	S	7/2009	Myers	
D604,368	S *	11/2009	Lesley .....	D21/370
D637,238	S	5/2011	O'Keene et al.	
8,167,715	B2 *	5/2012	Lesley .....	G07F 17/32 463/30
D684,637	S *	6/2013	Shelley .....	D21/370
D685,435	S *	7/2013	Hohman .....	D21/370
D693,884	S *	11/2013	Galdini Ferrazoli .....	D21/370
D705,872	S *	5/2014	Ortiz .....	D21/370
D772,388	S	11/2016	Hamilton et al.	
D818,048	S *	5/2018	Calhoun .....	D21/369
D822,117	S	7/2018	Costa	
D822,766	S *	7/2018	Costa .....	D21/325
D839,357	S	1/2019	Steelman et al.	
D842,929	S	3/2019	Hung et al.	
10,245,407	B2	4/2019	Osborne et al.	
D847,905	S *	5/2019	Lewis .....	D21/369
D852,890	S *	7/2019	Ross .....	D21/370
D854,620	S *	7/2019	Yeh .....	D21/369
D865,873	S *	11/2019	Lewis .....	D21/369
D886,267	S	6/2020	Hamilton et al.	
2012/0146251	A1	6/2012	Heine et al.	
2014/0238394	A1	8/2014	Buechi	
2015/0027204	A1	1/2015	Stoks et al.	
2015/0096560	A1	4/2015	Klenner et al.	

\* cited by examiner

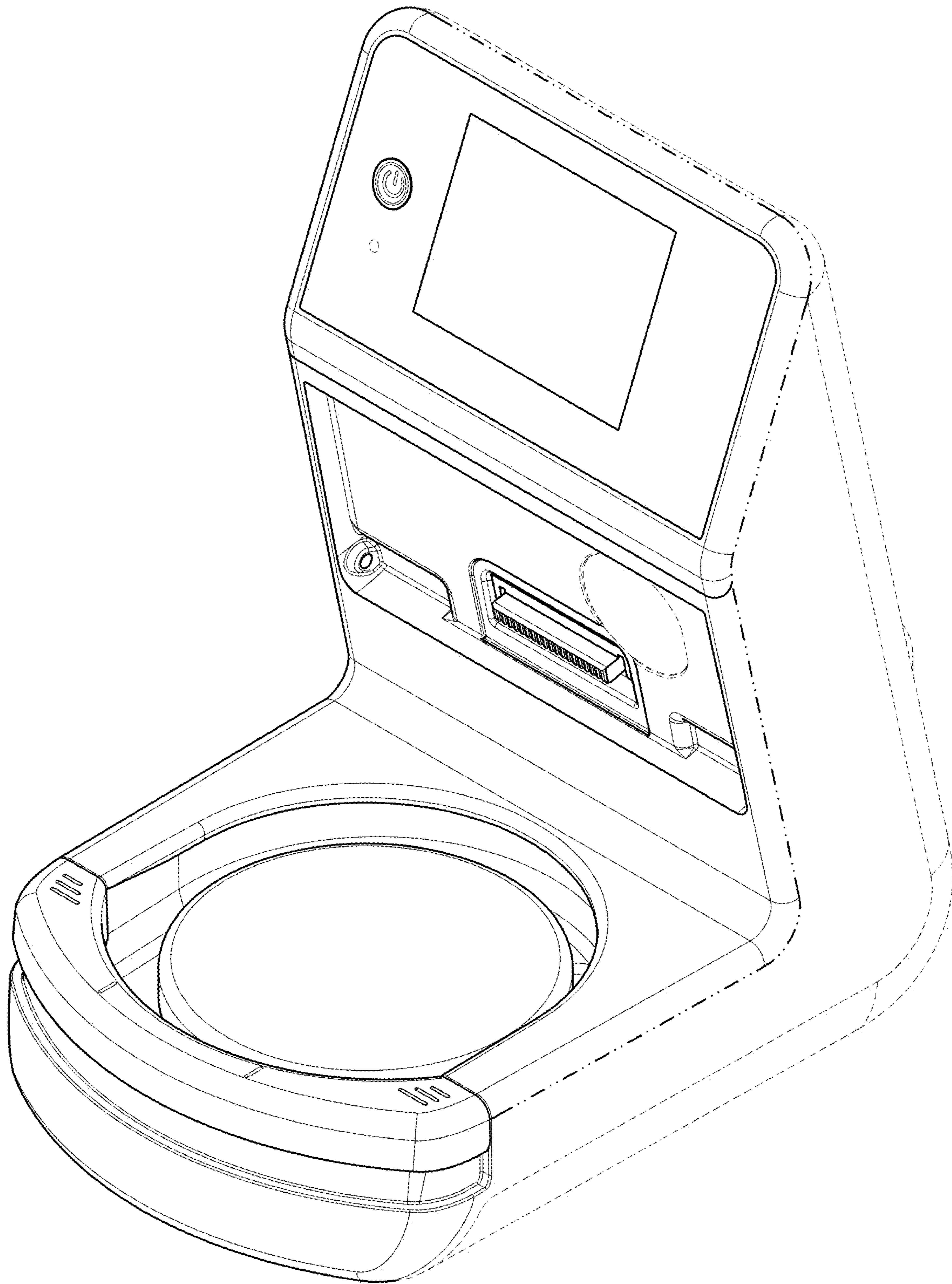


FIG. 1



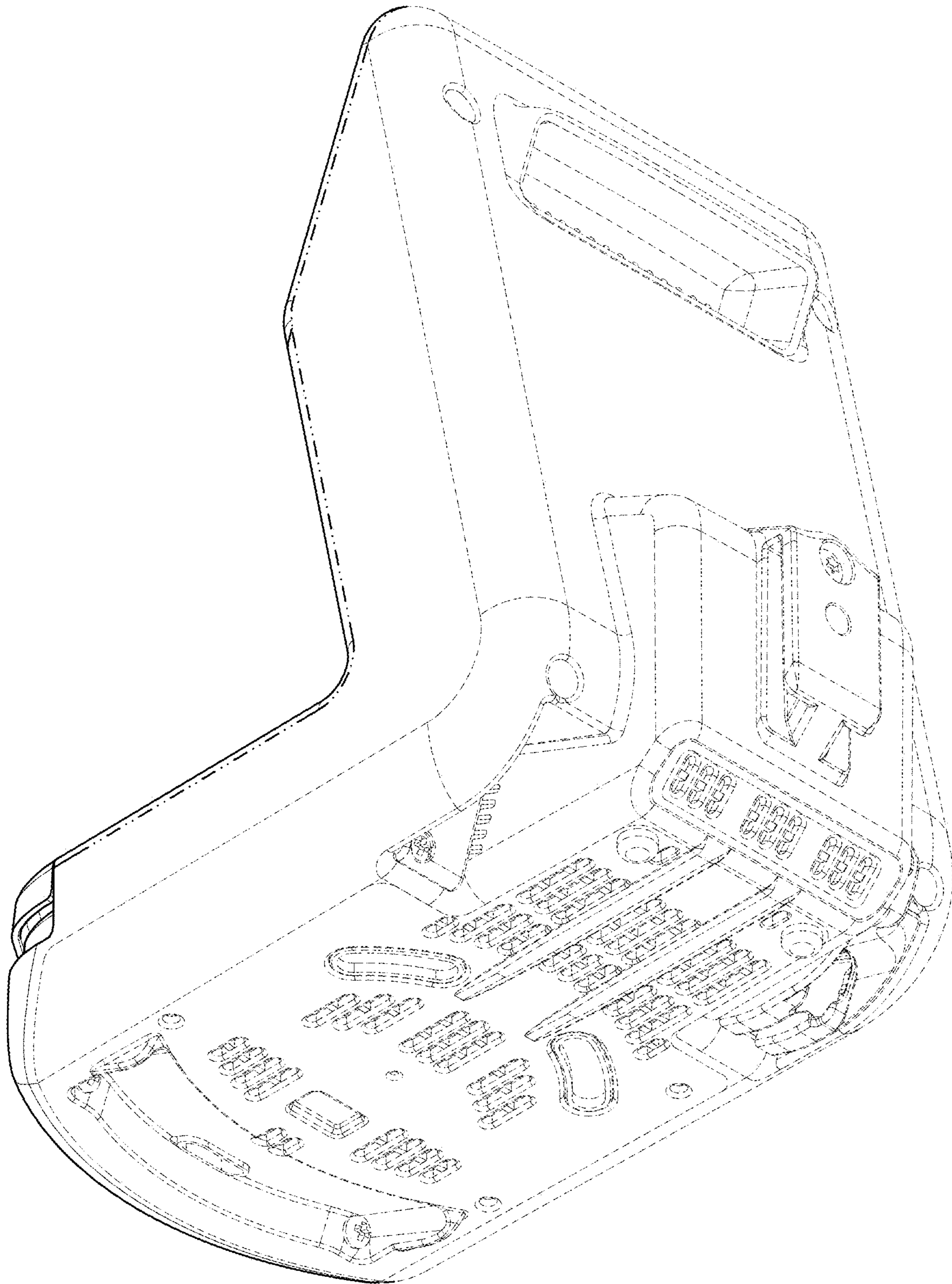


FIG. 2

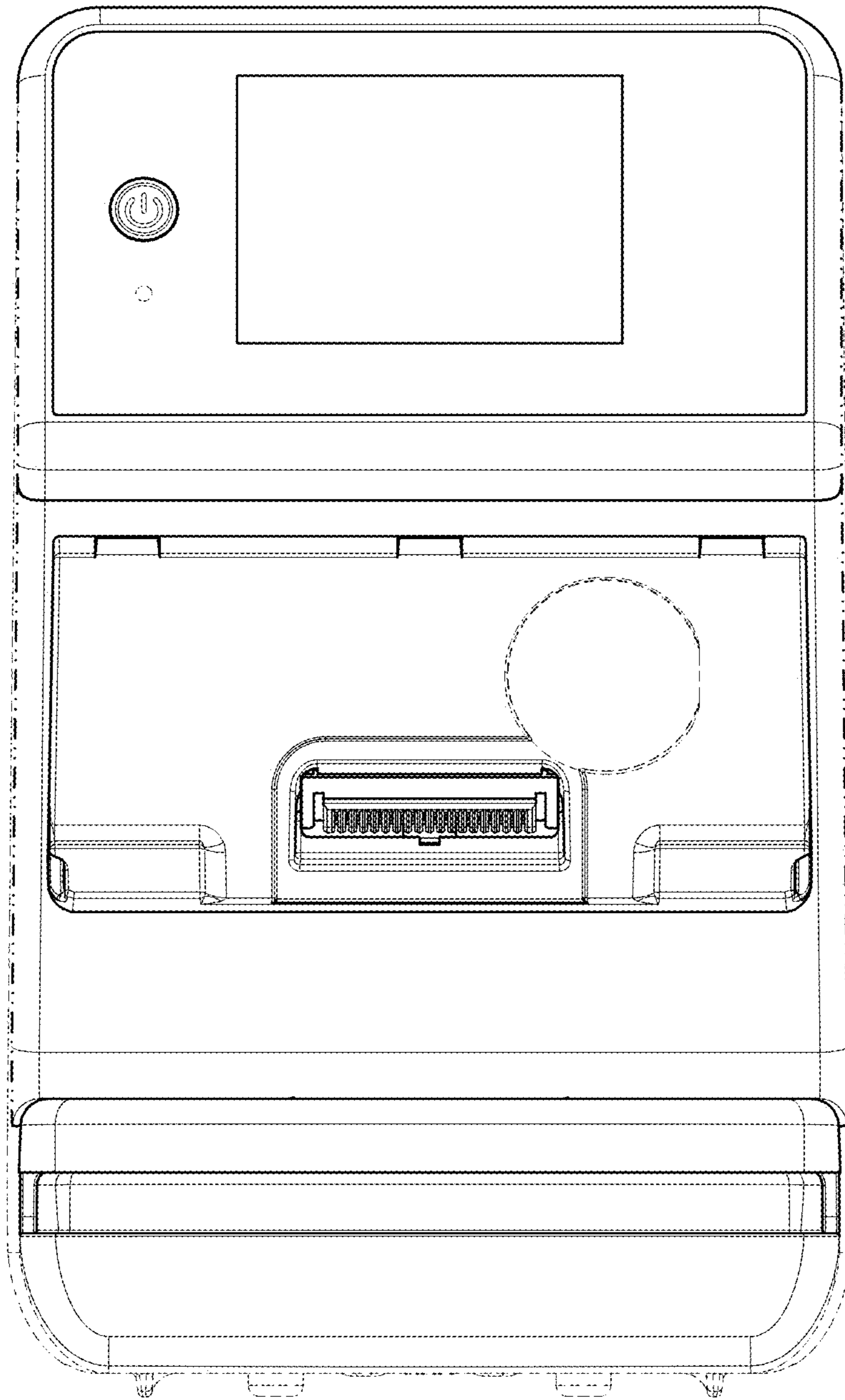


FIG. 3

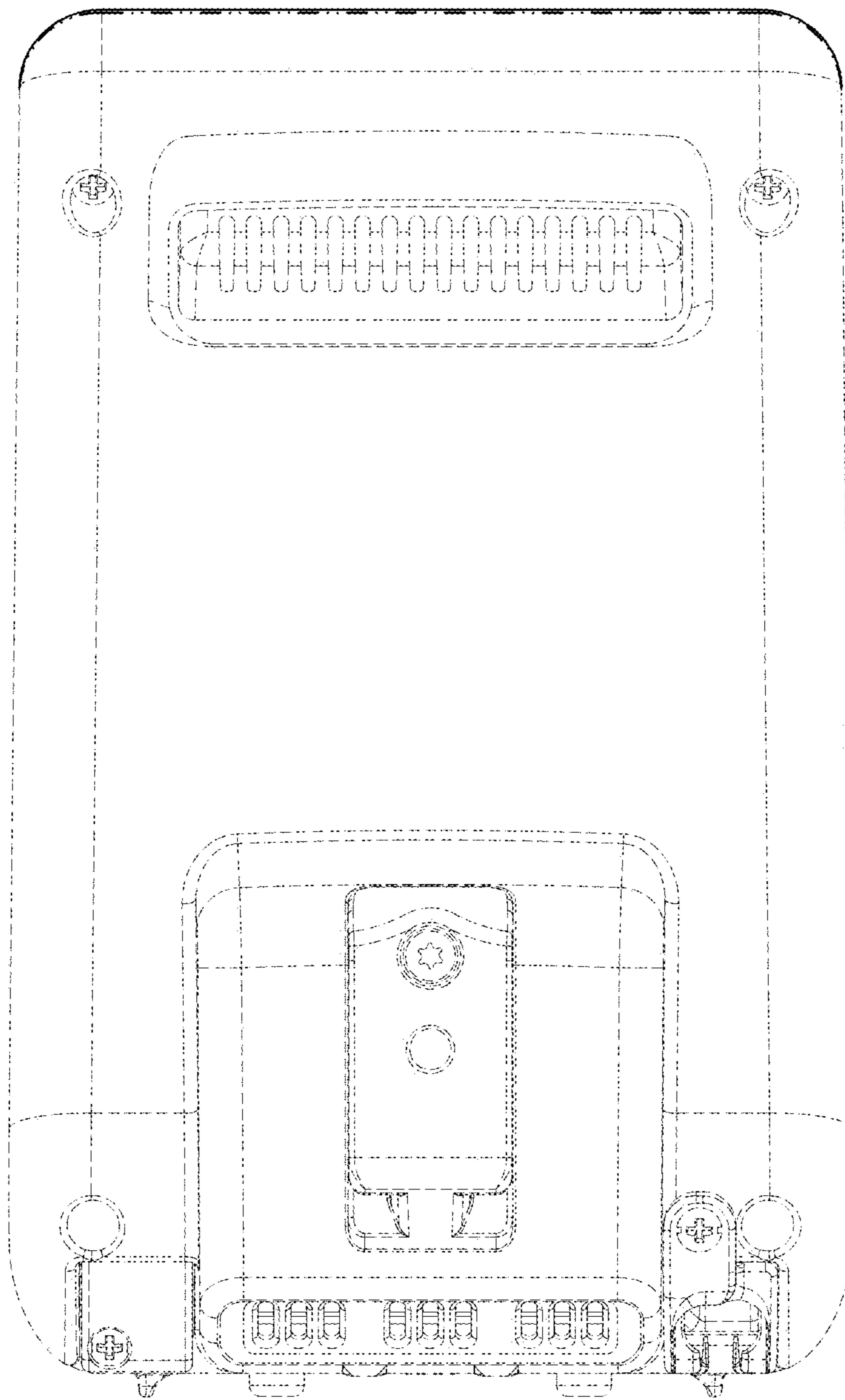


FIG. 4

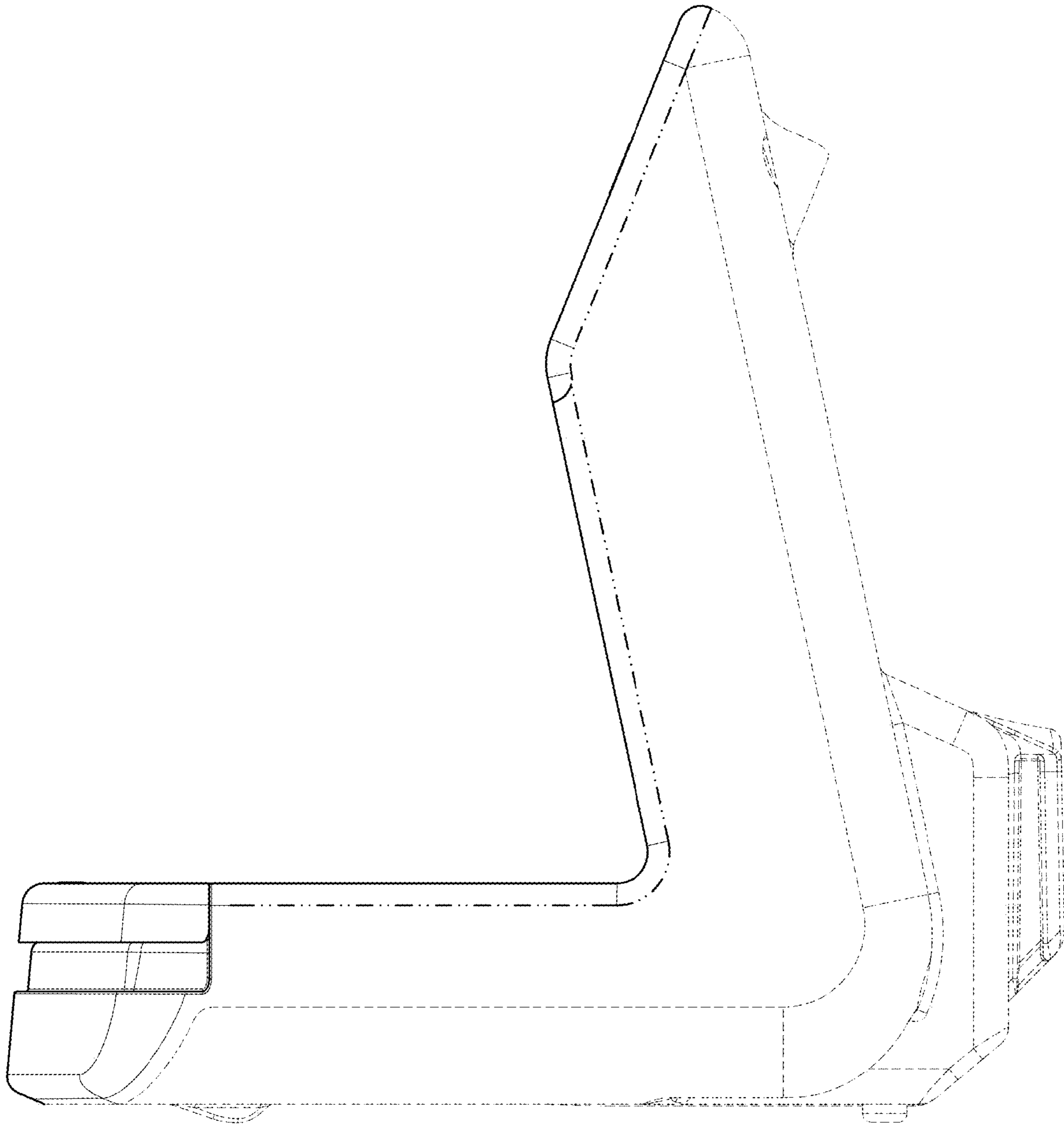


FIG. 5

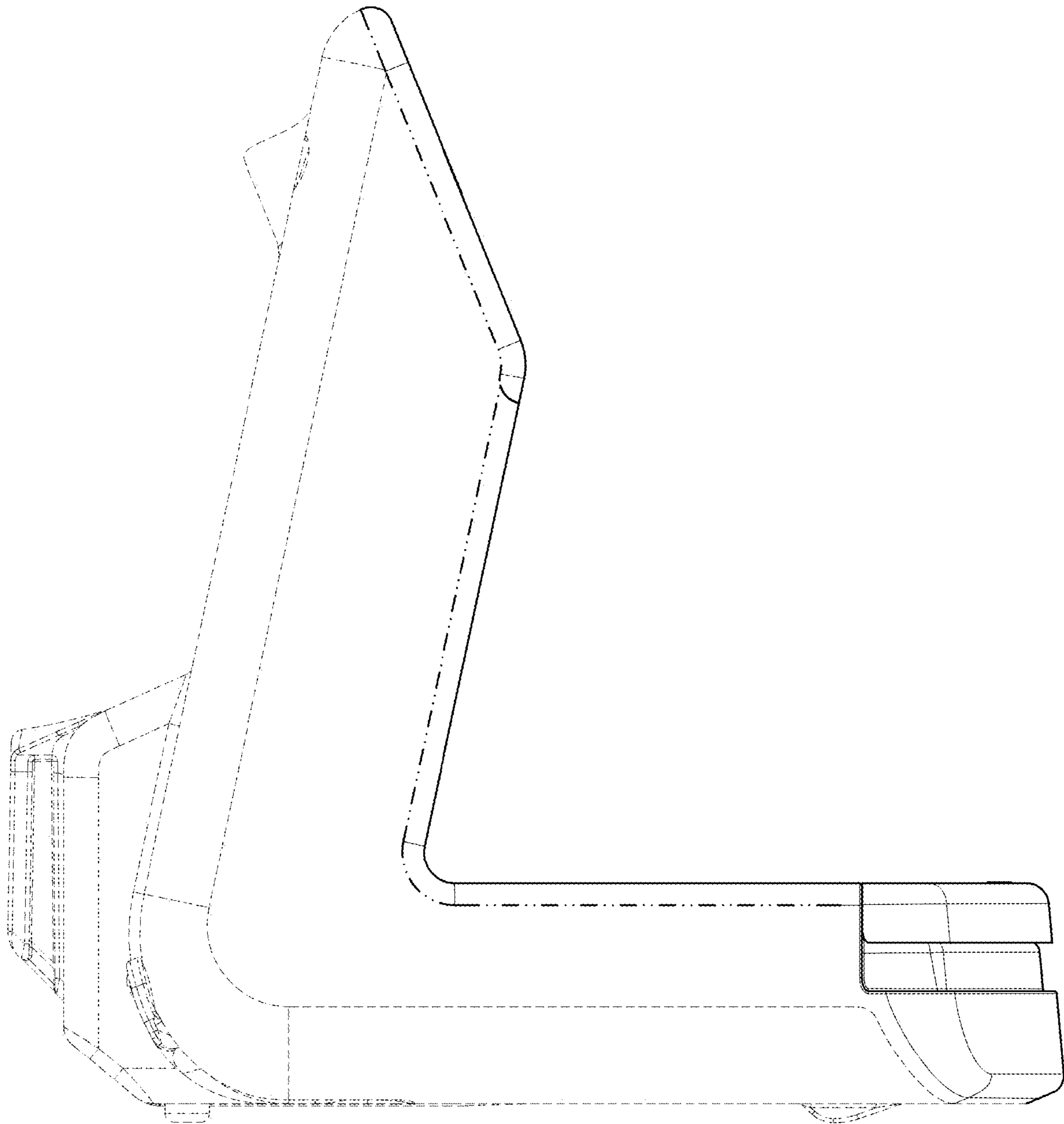


FIG. 6



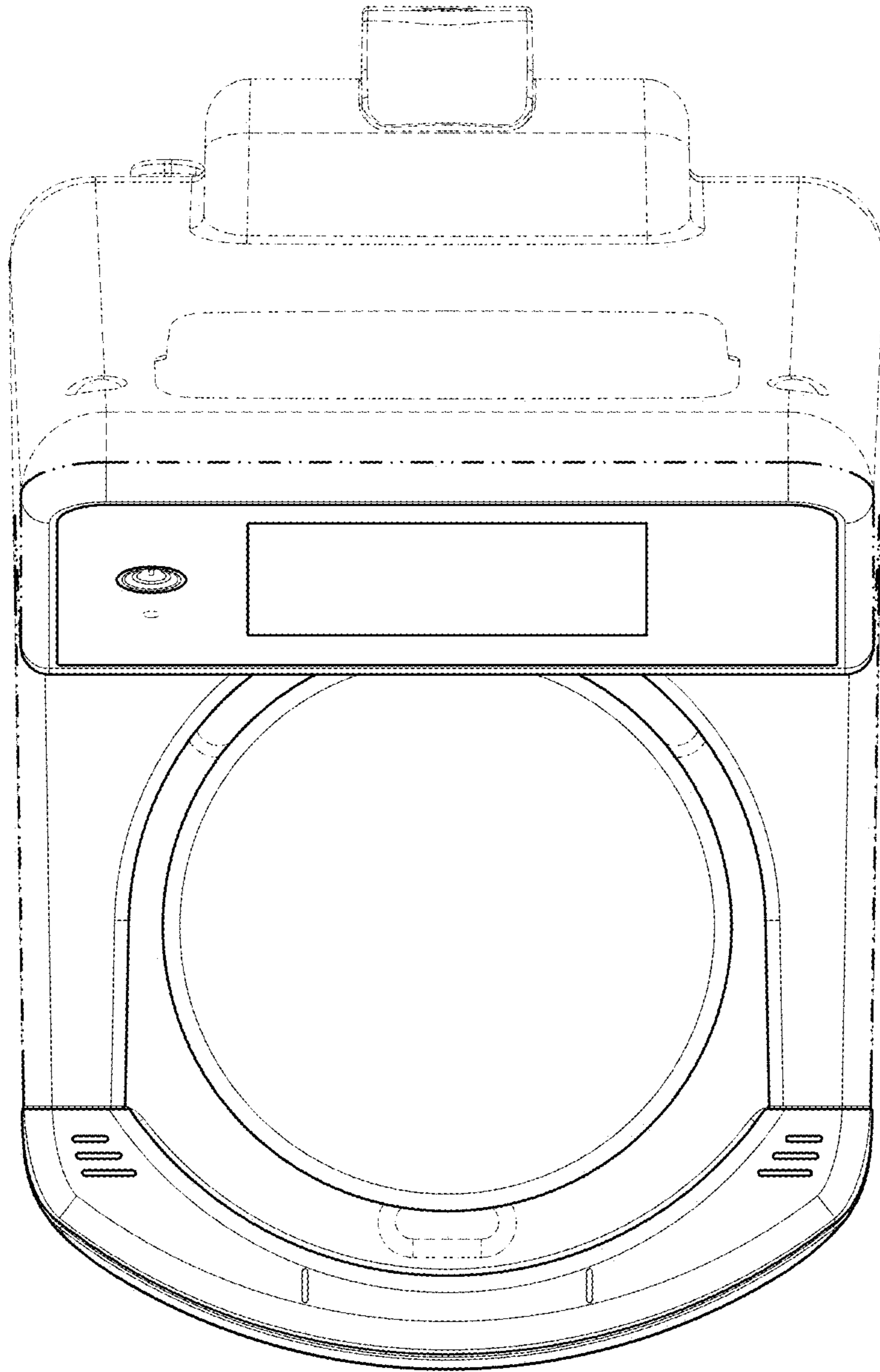


FIG. 7

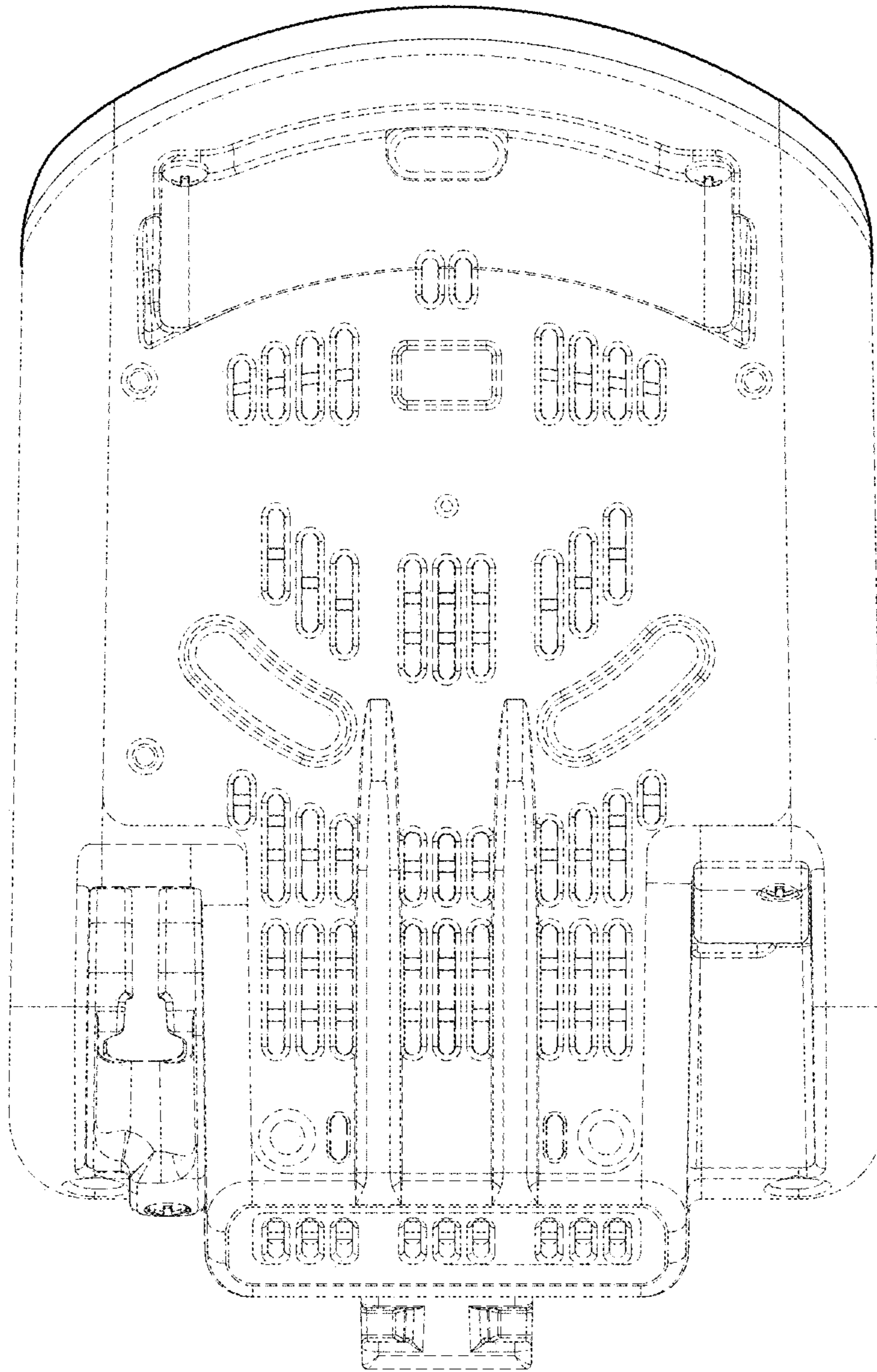


FIG. 8