



US00D926957S

(12) **United States Design Patent**
Zhou

(10) **Patent No.:** **US D926,957 S**

(45) **Date of Patent:** **** Aug. 3, 2021**

(54) **STEAM STERILIZER**

(71) Applicant: **Shen Zhen Golden Rose Intelligent Technology Co. LTD, Shenzhen (CN)**

(72) Inventor: **Zhongjian Zhou, Huizhou (CN)**

(**) Term: **15 Years**

(21) Appl. No.: **29/699,854**

(22) Filed: **Jul. 30, 2019**

(51) **LOC (13) Cl.** **23-04**

(52) **U.S. Cl.**
USPC **D23/356**

(58) **Field of Classification Search**
USPC D23/355-366, 352, 369, 332, 333, 335,
D23/336, 342, 351; D24/217; 422/120,
422/122; 55/356, 473, 504; 96/97;
D14/188, 170, 171, 172; 261/DIG. 17,
261/DIG. 65, DIG. 88, DIG. 31;
D18/34.6
CPC .. A61L 9/16; A61L 9/22; B01D 47/00; B01D
47/027; B01D 2221/02; B01D 2259/4508;
B03C 3/155
See application file for complete search history.

(56) **References Cited**

U.S. PATENT DOCUMENTS

D554,934 S * 11/2007 Picozza D7/354
D615,664 S * 5/2010 De D24/217

D844,127 S * 3/2019 Wang D23/366
D856,501 S * 8/2019 Netkin D23/366
D857,185 S * 8/2019 Hu D23/356
D862,677 S * 10/2019 Li D23/366
D864,371 S * 10/2019 Chen D23/366
D866,744 S * 11/2019 Gobber D23/366
D869,629 S * 12/2019 Li D23/366
D870,874 S * 12/2019 Hu D23/366
D877,877 S * 3/2020 Klipshtein D23/366
D878,528 S * 3/2020 Fu D23/356
D878,537 S * 3/2020 Gobber D23/366

* cited by examiner

Primary Examiner — David G Muller

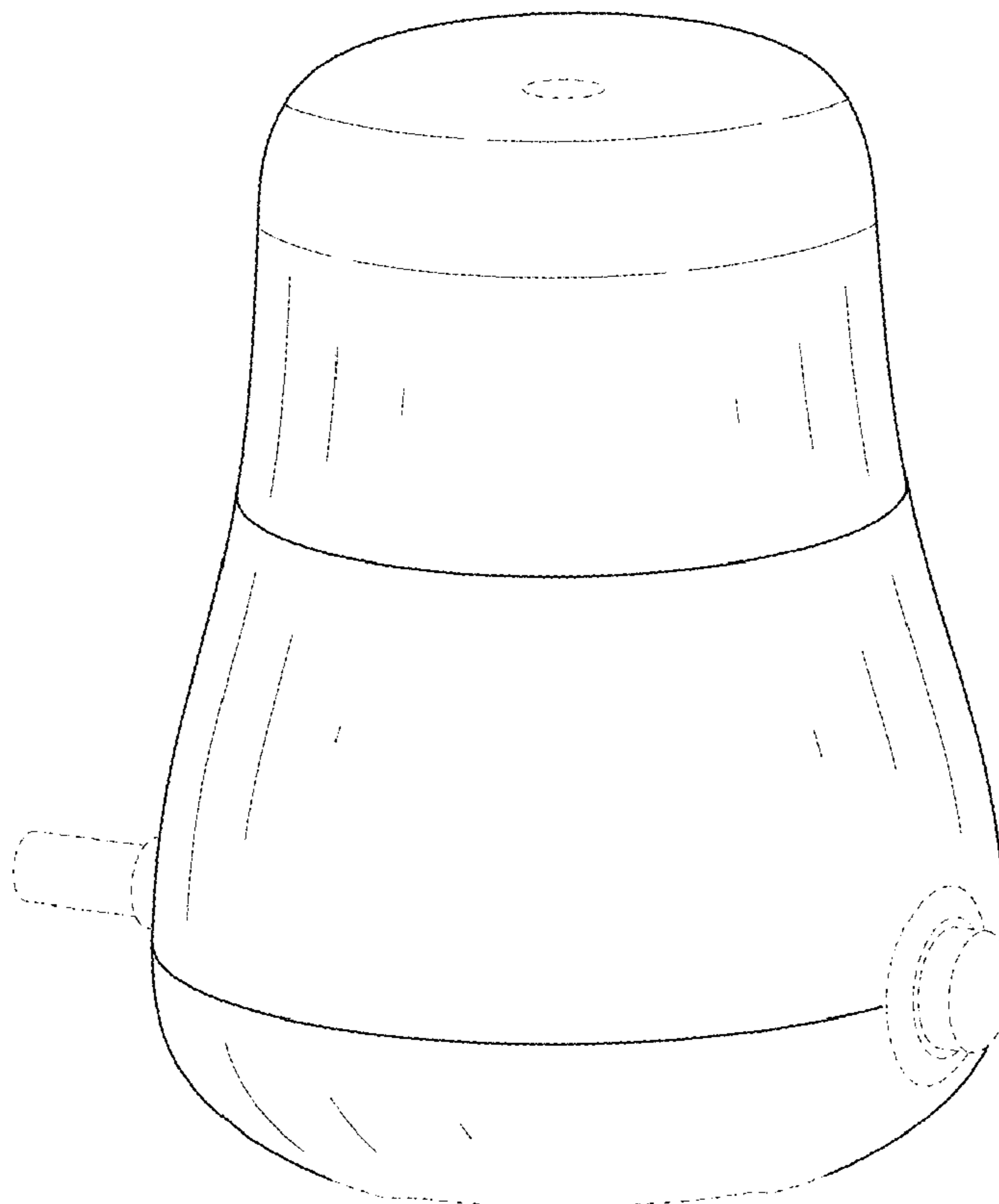
(57) **CLAIM**

The ornamental design for a steam sterilizer, as shown and described.

DESCRIPTION

FIG. 1 is a front view of a steam sterilizer showing my new design;
FIG. 2 is a rear view thereof;
FIG. 3 is a left view thereof;
FIG. 4 is a right view thereof;
FIG. 5 is a bottom view thereof;
FIG. 6 is a top view thereof; and,
FIG. 7 is a perspective view thereof.
The broken line showing of parts of the drawings is included for the purpose of illustrating use and environment and forms no part of the claimed design.

1 Claim, 7 Drawing Sheets



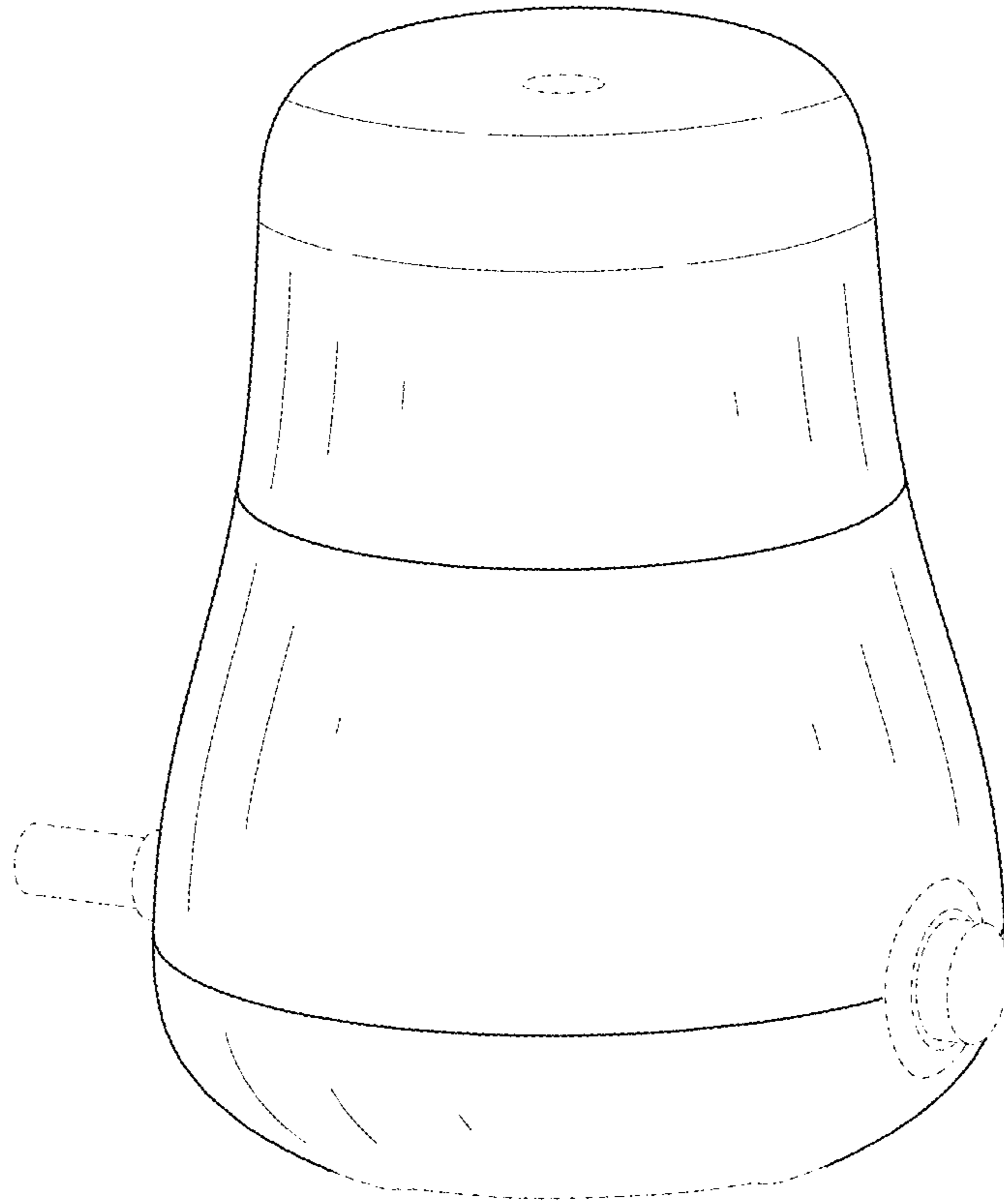


FIG.1

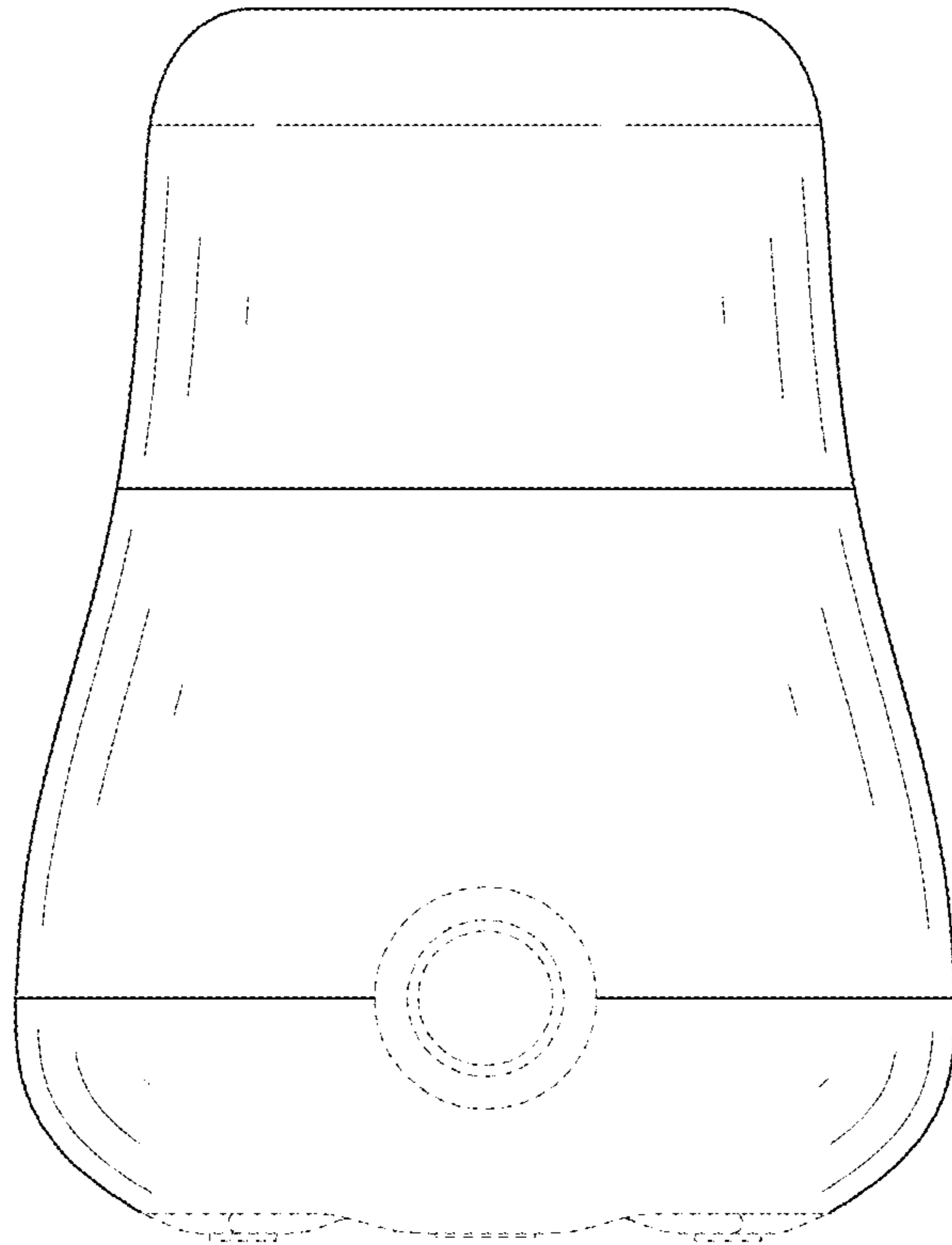


FIG.2

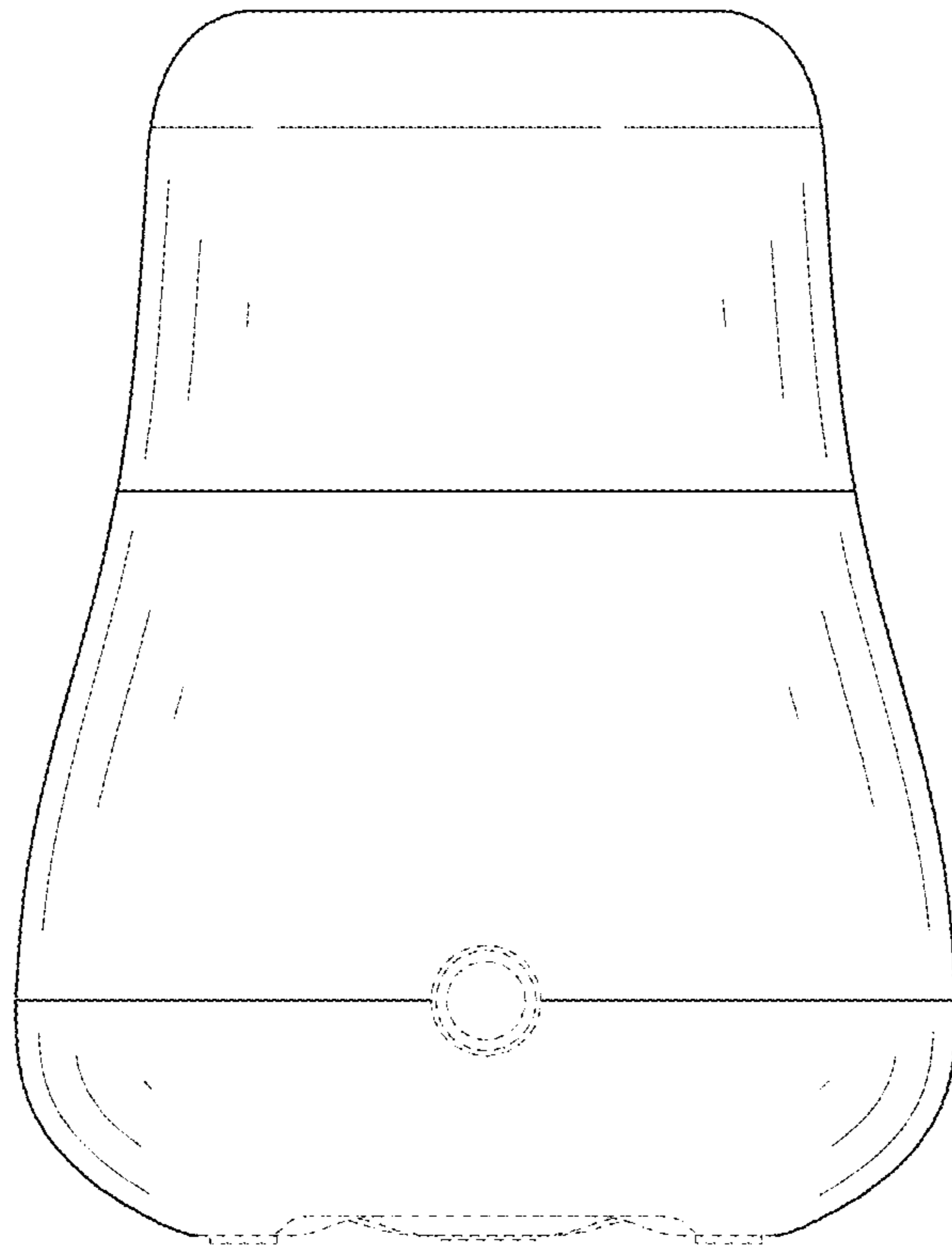


FIG.3

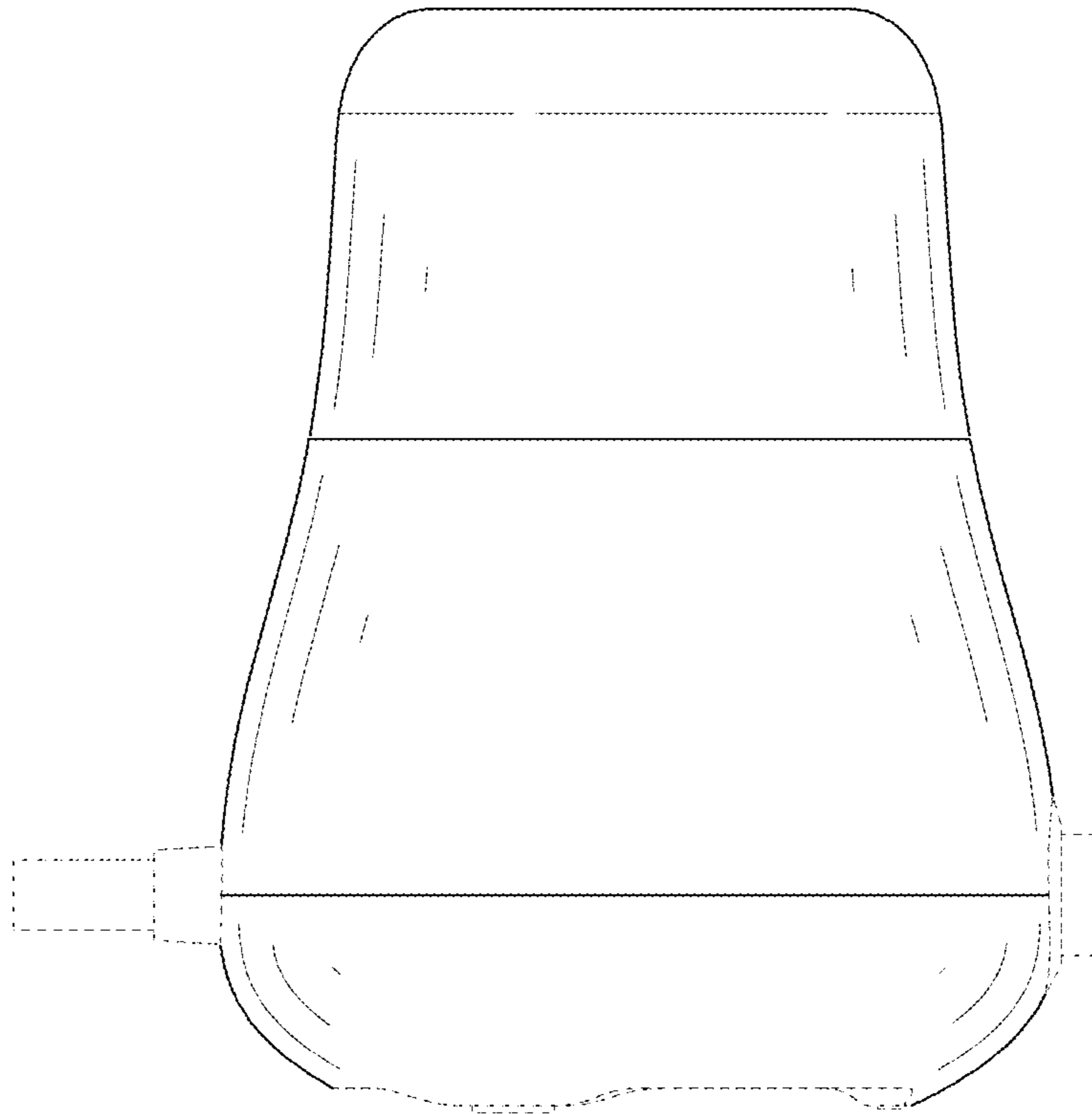


FIG.4

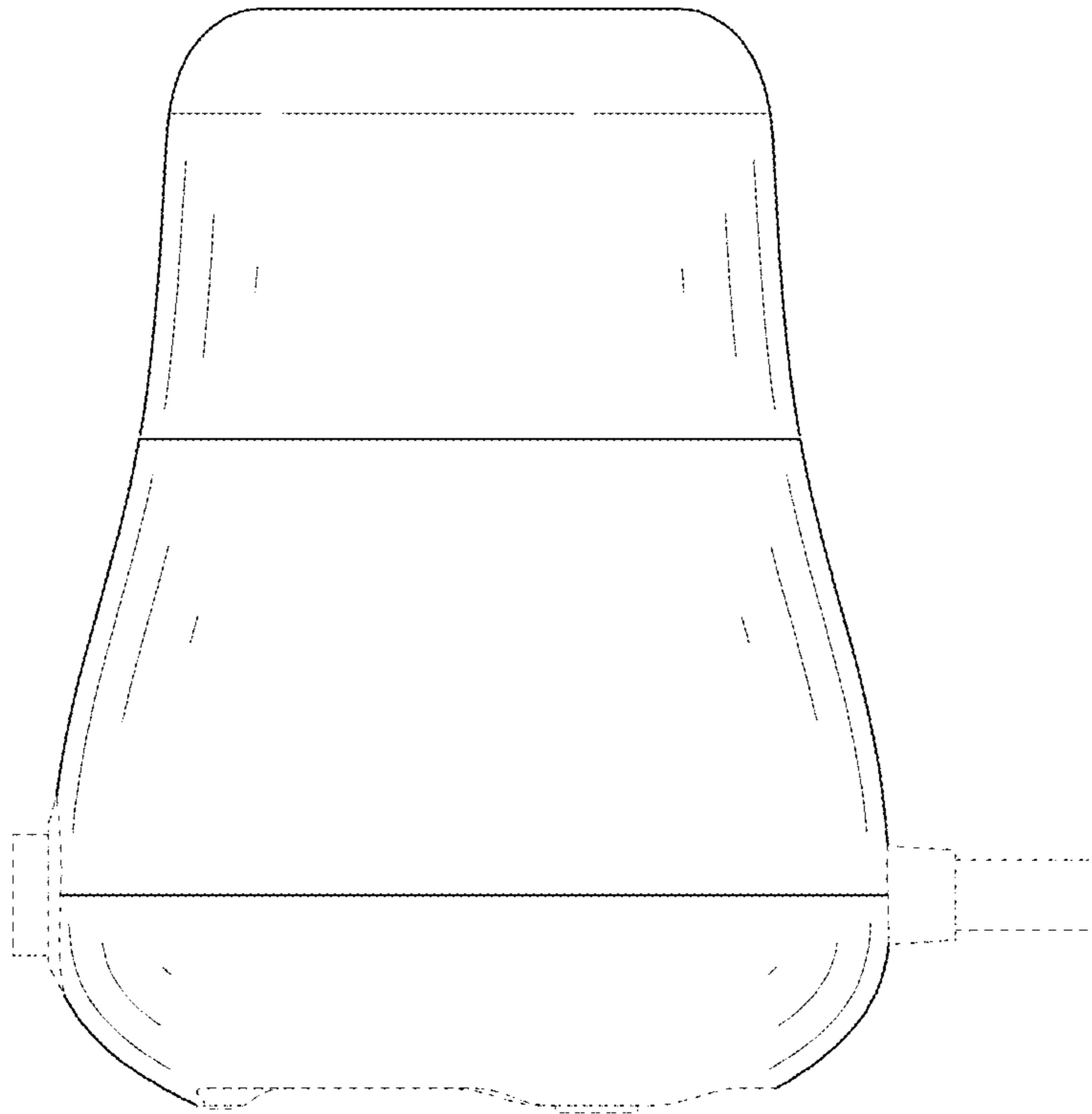


FIG.5

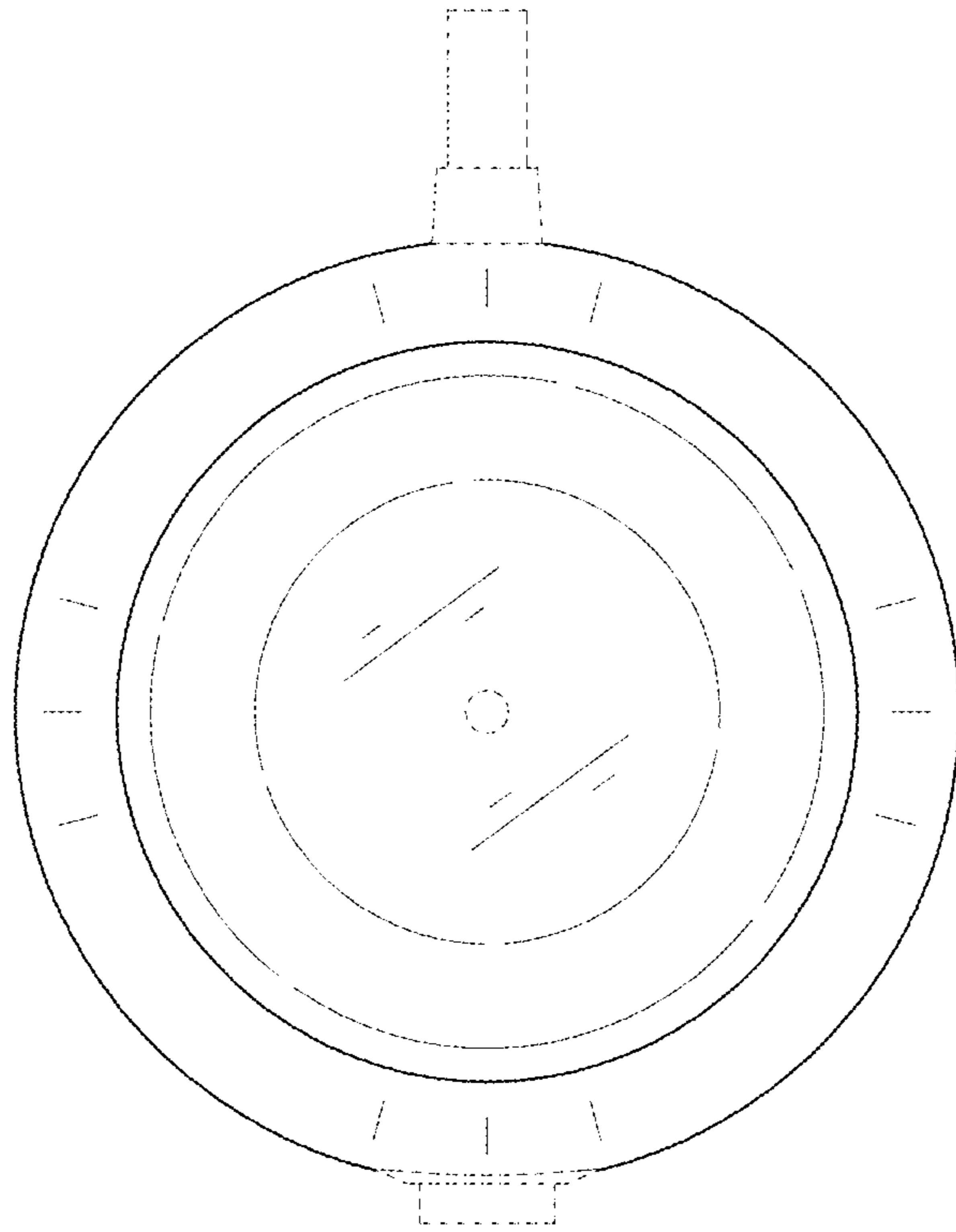


FIG.6

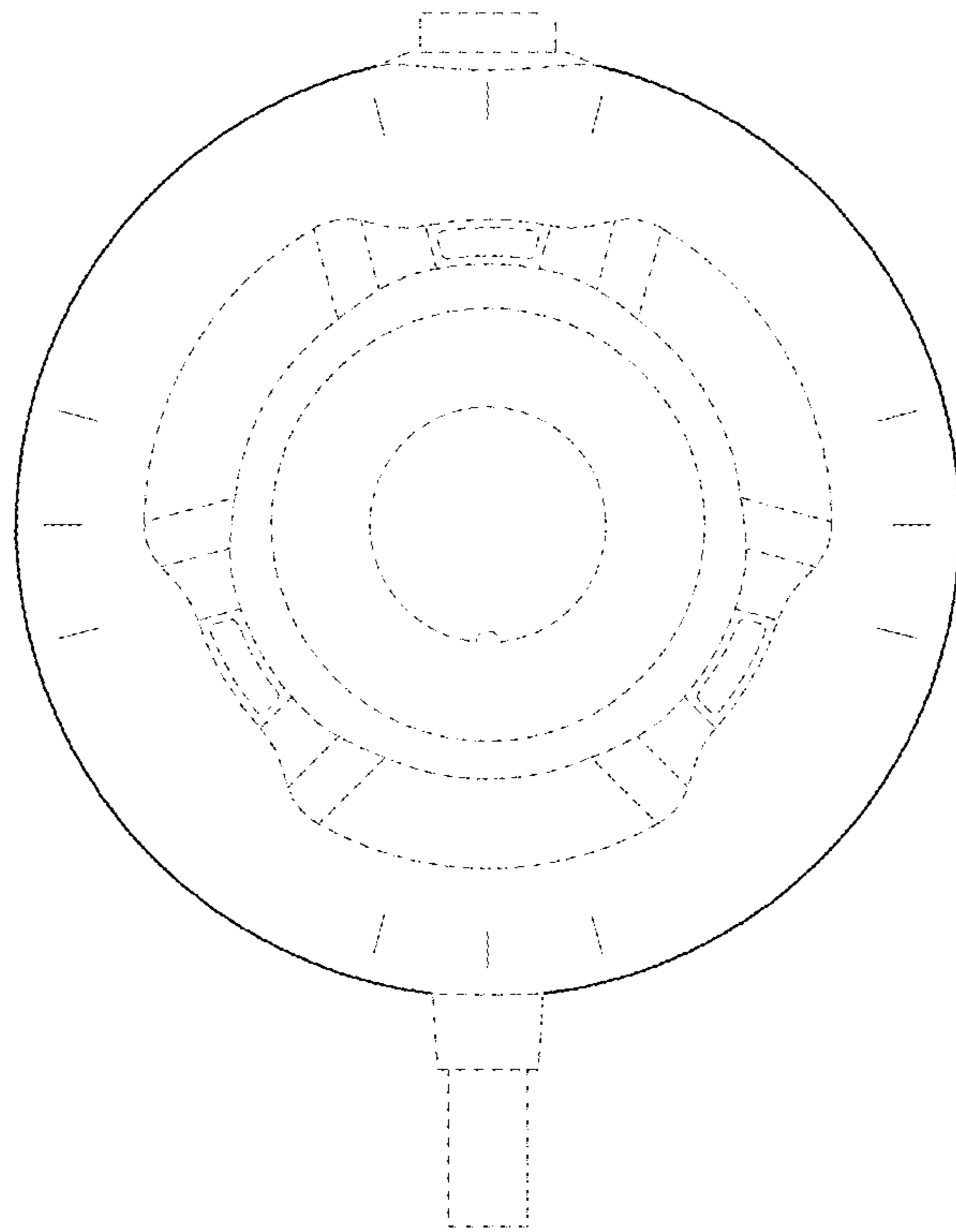


FIG.7