



US00D926952S

(12) **United States Design Patent** (10) **Patent No.:** **US D926,952 S**
Hale et al. (45) **Date of Patent:** **** Aug. 3, 2021**

(54) **FIRE PIT** D615,185 S * 5/2010 Davies D23/415
D701,721 S 4/2014 Jan
D734,975 S 7/2015 Troyer, Jr.
D858,729 S 9/2019 Scott
(71) Applicant: **QUALITY CRAFT INDUSTRIES, INC.,** Rogersville, MO (US) 2012/0060819 A1* 3/2012 Hunt F24B 1/182
126/1 R
(72) Inventors: **Dennis Hale,** Willowbrook, IL (US); 2014/0238378 A1 8/2014 Scott
Marcus Willi Karl Gerhard Bosch, Belding, MI (US) 2019/0137107 A1* 5/2019 Crosen F24B 1/181
2020/0208842 A1* 7/2020 Jan F24B 1/181

(73) Assignee: **QUALITY CRAFT INDUSTRIES, INC.,** Romeoville, IL (US)

FOREIGN PATENT DOCUMENTS

DE 10236945 A1 3/2004

(**) Term: **15 Years**

* cited by examiner

(21) Appl. No.: **29/705,531**

Primary Examiner — Ania Aman

(22) Filed: **Sep. 12, 2019**

(74) *Attorney, Agent, or Firm* — Shook, Hardy & Bacon L.L.P.

(51) **LOC (13) Cl.** **23-03**

(52) **U.S. Cl.**
USPC **D23/348; D23/336**

(57) **CLAIM**

The ornamental design for a fire pit, as shown and described.

(58) **Field of Classification Search**
USPC D23/332, 314, 343, 348, 350, 346;
D7/332–337, 402–405, 352

DESCRIPTION

CPC F24C 1/16; F24C 5/00; F24C 3/14; A47J 33/00; A47J 37/0763; A47J 37/07; A24B 1/18; A24B 1/182; A24B 1/1808; A24B 1/181; A24B 1/195; A24B 1/191
See application file for complete search history.

FIG. 1 is a top, front, right perspective view of a fire pit showing our design;
FIG. 2 is a front view thereof;
FIG. 3 is a left side view thereof;
FIG. 4 is a right side view thereof;
FIG. 5 is a rear view thereof;
FIG. 6 is a top view thereof; and,
FIG. 7 is a bottom view thereof.

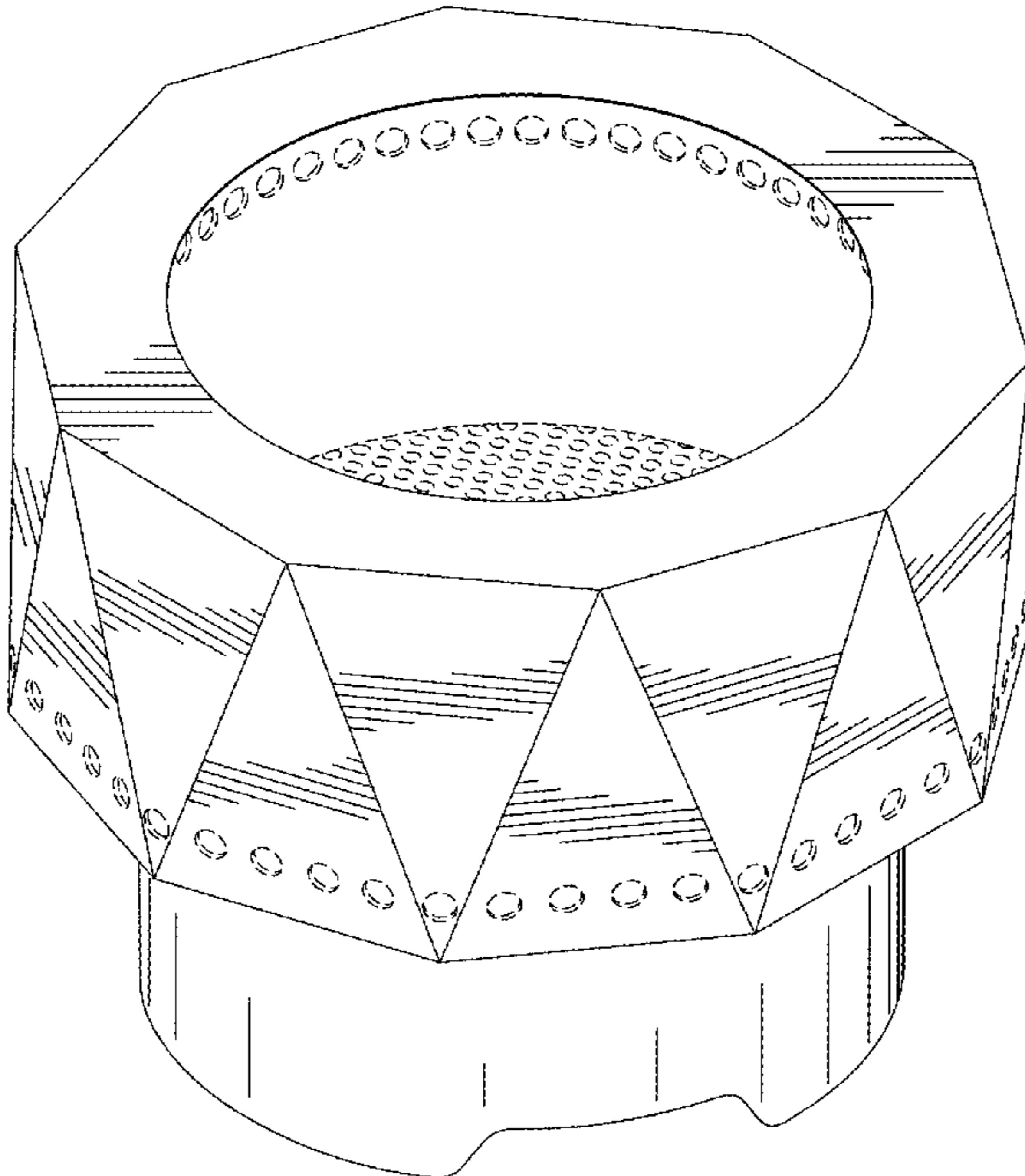
(56) **References Cited**

U.S. PATENT DOCUMENTS

D257,206 S * 10/1980 Vincent D6/695.6
D273,264 S * 4/1984 Elliston D7/332
5,651,356 A * 7/1997 Kaines A47J 27/026
126/204
D440,289 S * 4/2001 Olson D23/350
D440,299 S * 4/2001 Tseng D23/402

The even-length broken lines shown in the drawings are for the purpose of illustrating portions of the article and form no part of the claimed design. The long-short broken lines depict boundaries of the claimed design and form no part thereof.

1 Claim, 5 Drawing Sheets



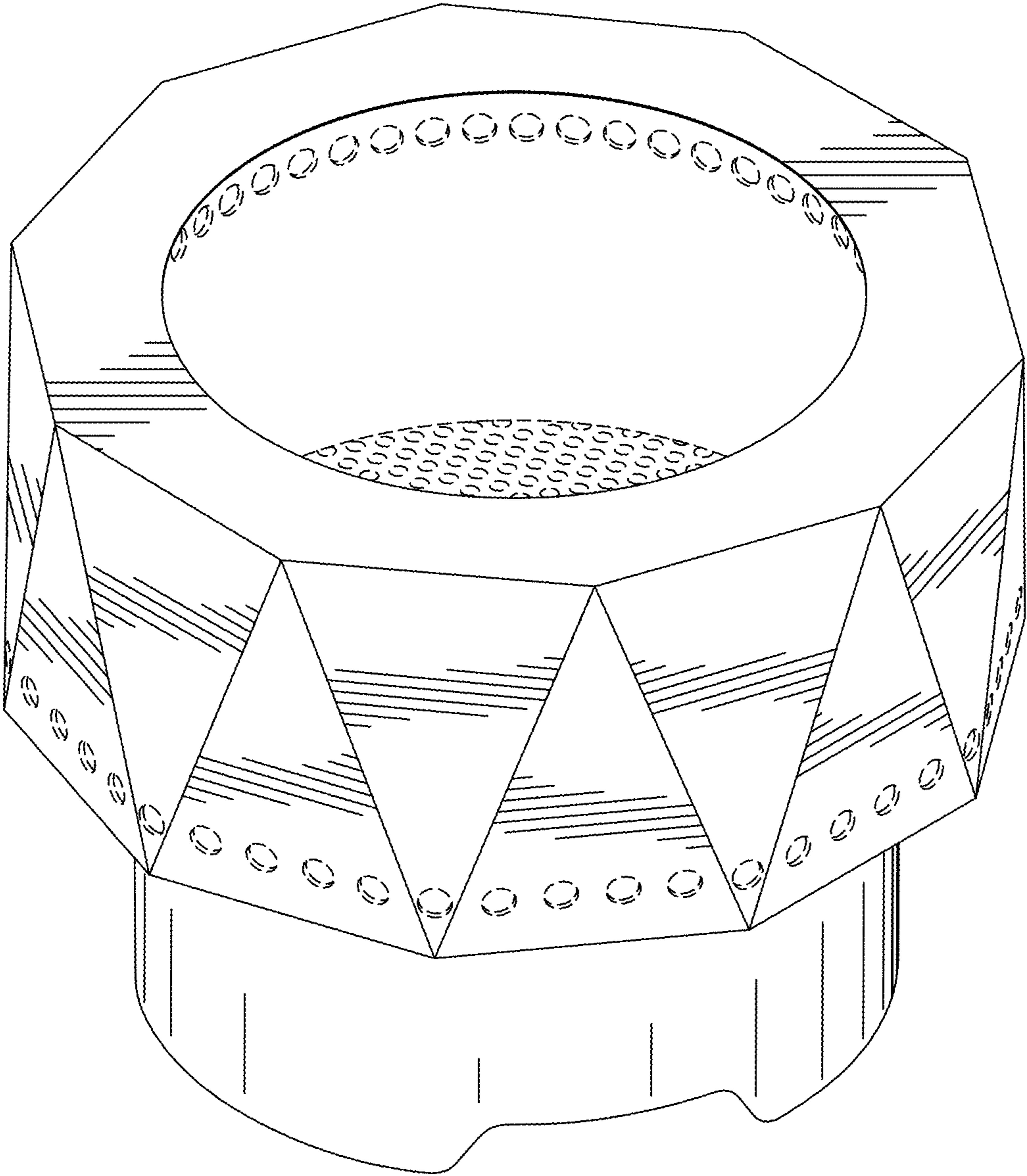


FIG. 1.

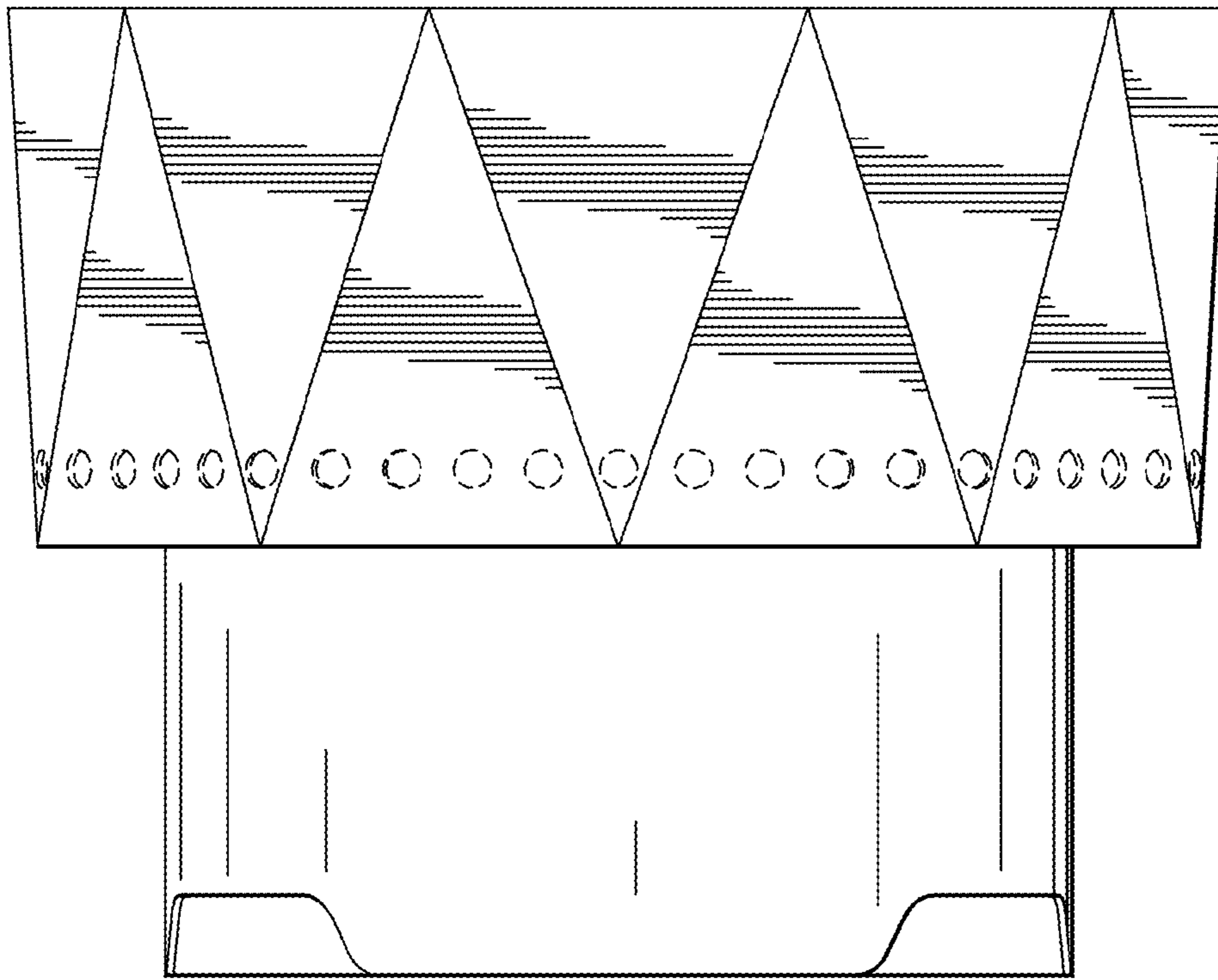


FIG. 2.

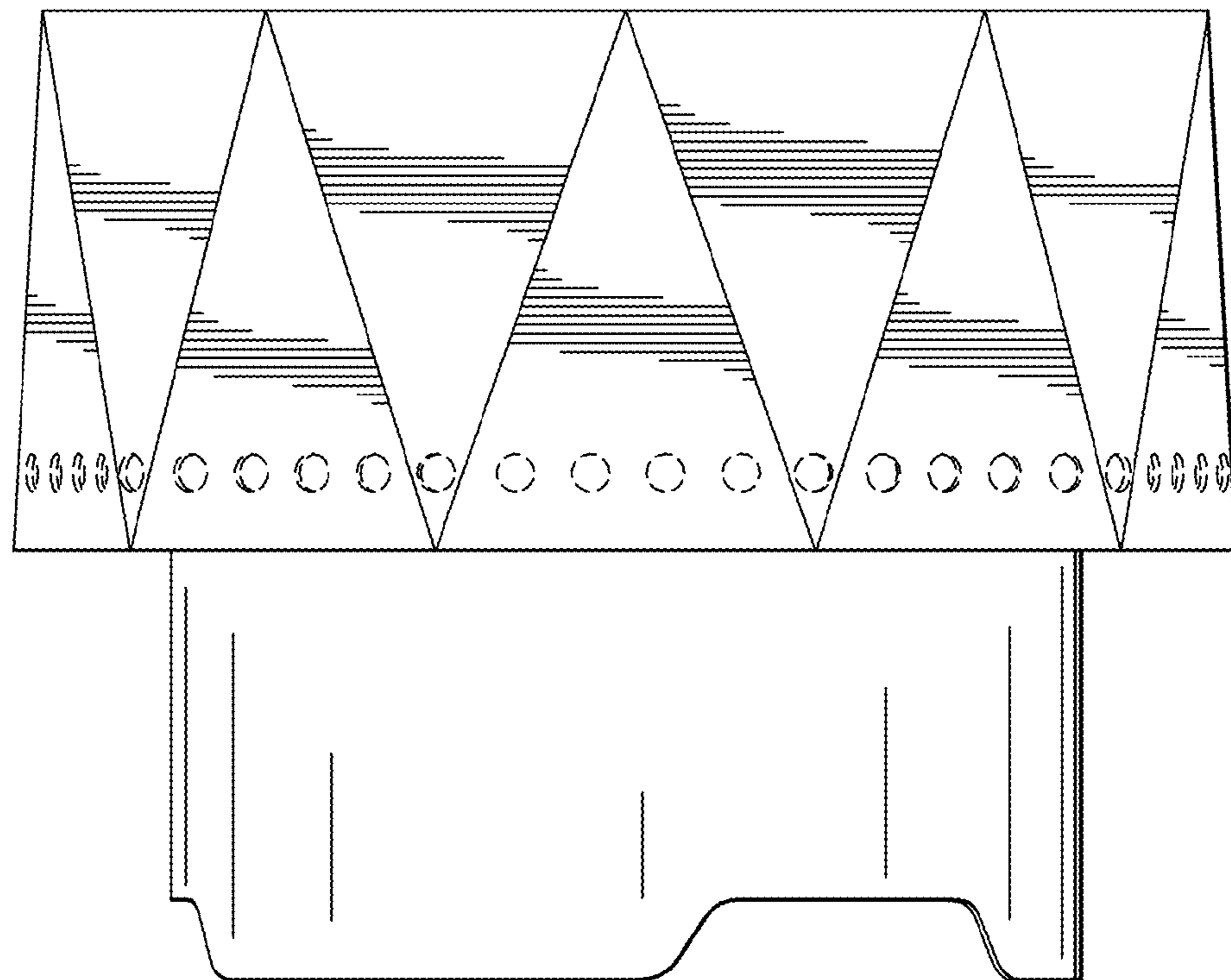


FIG. 3.

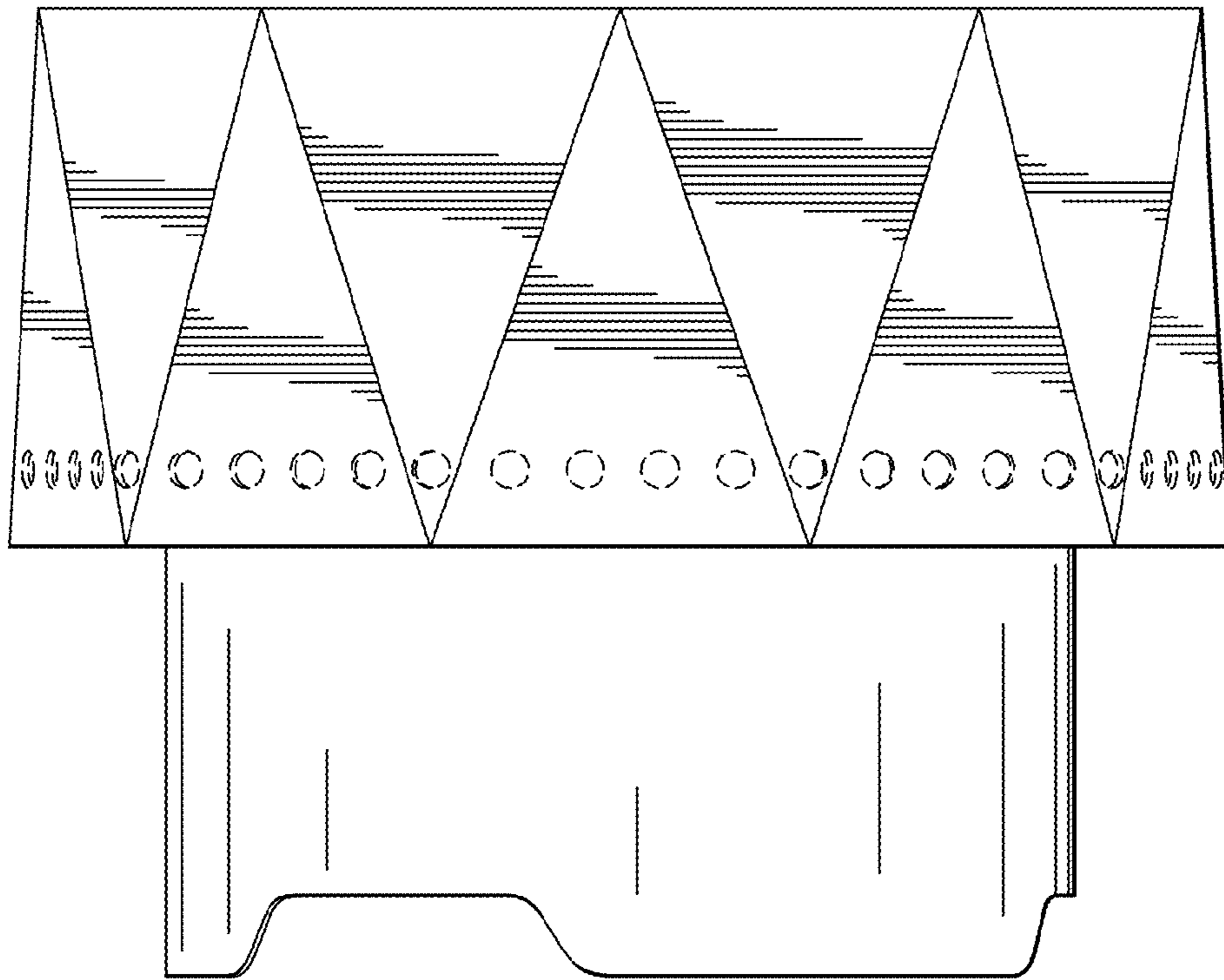


FIG. 4.

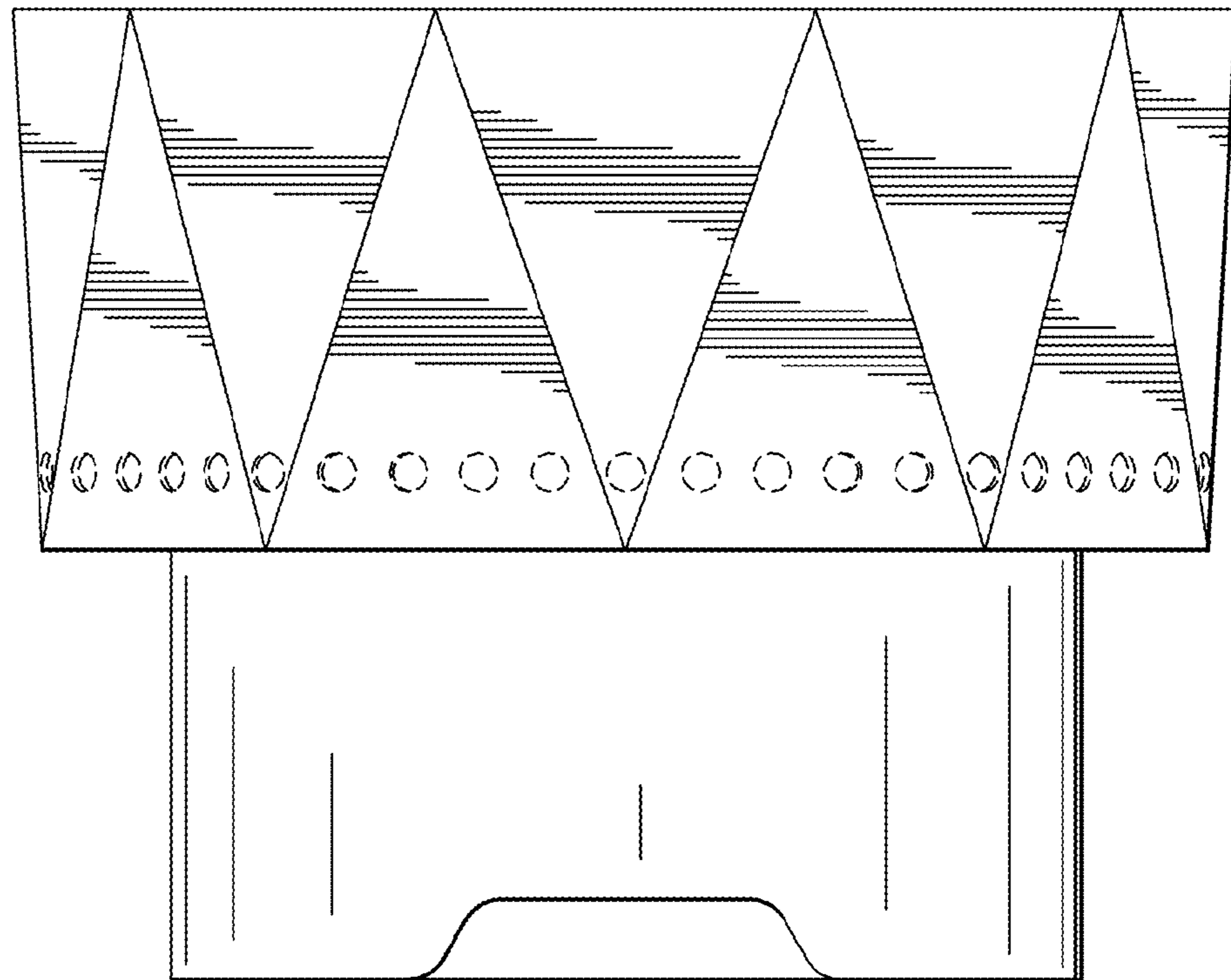


FIG. 5.

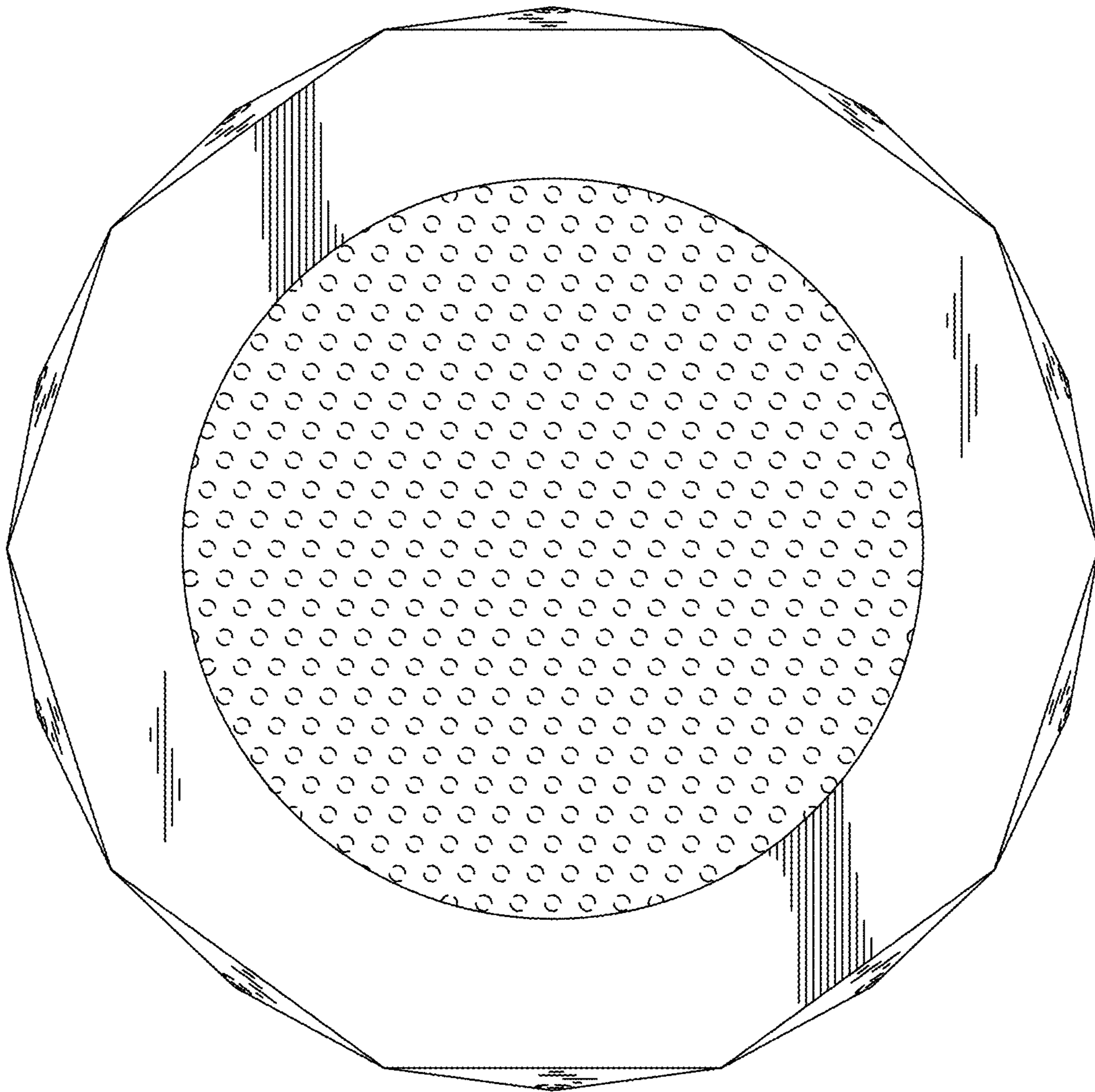


FIG. 6.

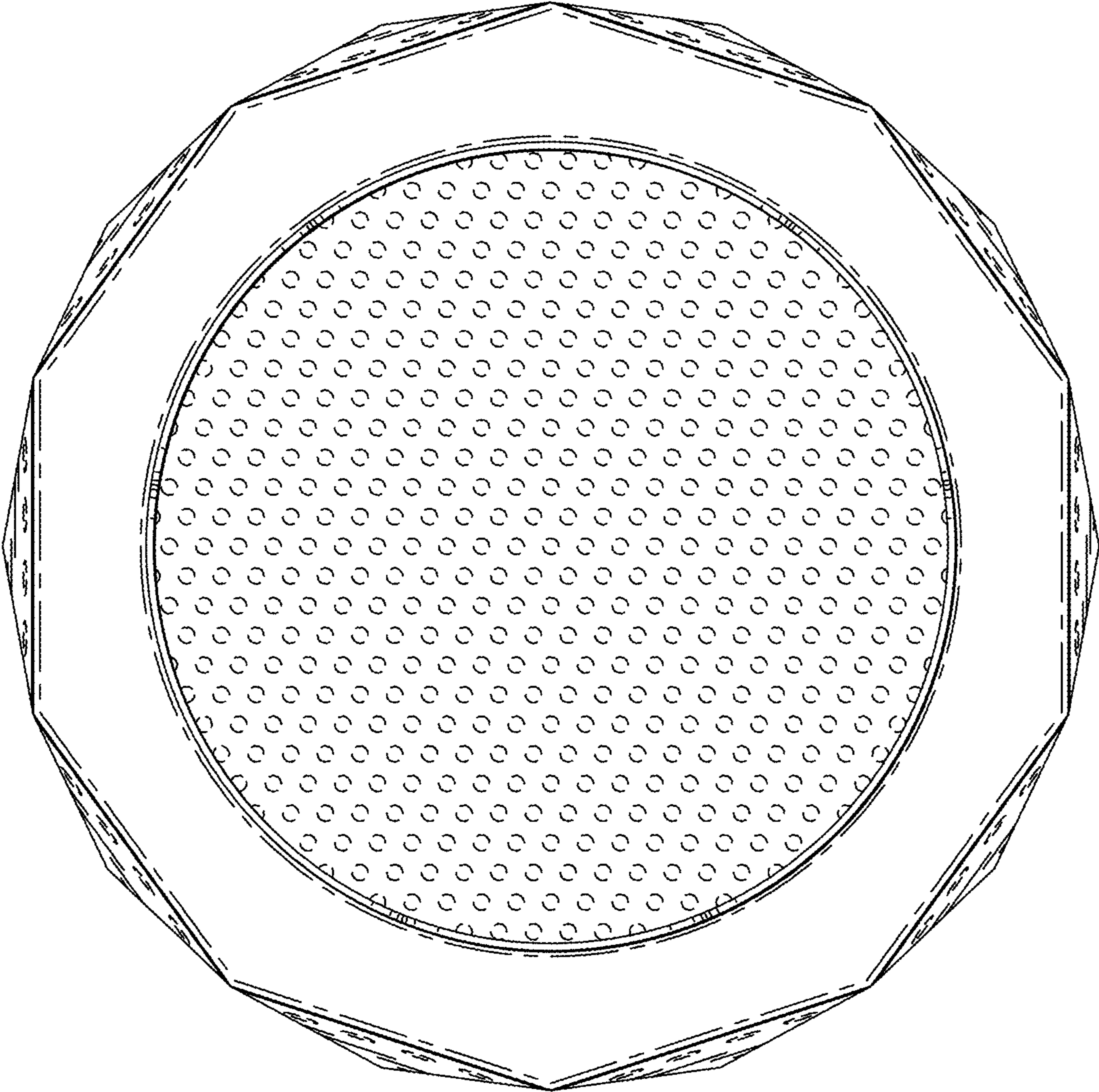


FIG. 7.