



US00D926949S

(12) **United States Design Patent**
Adams

(10) **Patent No.:** **US D926,949 S**

(45) **Date of Patent:** **** Aug. 3, 2021**

(54) **SHOWER BASE**

(71) Applicant: **Russell Adams**, Sugar Hill, GA (US)

(72) Inventor: **Russell Adams**, Sugar Hill, GA (US)

(73) Assignee: **MTI Baths, Inc.**, Sugar Hill, GA (US)

(**) Term: **15 Years**

(21) Appl. No.: **29/721,806**

(22) Filed: **Jan. 23, 2020**

(51) **LOC (13) Cl.** **23-02**

(52) **U.S. Cl.**
USPC **D23/304**

(58) **Field of Classification Search**
USPC D23/283, 303-304, 261
See application file for complete search history.

(56) **References Cited**

U.S. PATENT DOCUMENTS

D351,019 S *	9/1994	Moore	D23/283
D544,585 S *	6/2007	Lebrun	D23/283
D731,630 S *	6/2015	DeSocio	D23/304

D859,614 S *	9/2019	Bucher	D23/304
D863,515 S *	10/2019	Rocandio Mazagatos	..	D23/304
D875,904 S *	2/2020	Rocandio Mazagatos	..	D23/304
D912,788 S *	3/2021	Adams	D23/304
2017/0164791 A1 *	6/2017	Provence	B29C 51/08
2020/0154952 A1 *	5/2020	Fenna	A47K 3/30

* cited by examiner

Primary Examiner — Robert A Delehanty

(74) *Attorney, Agent, or Firm* — Miller & Martin PLLC;
Stephen J. Stark

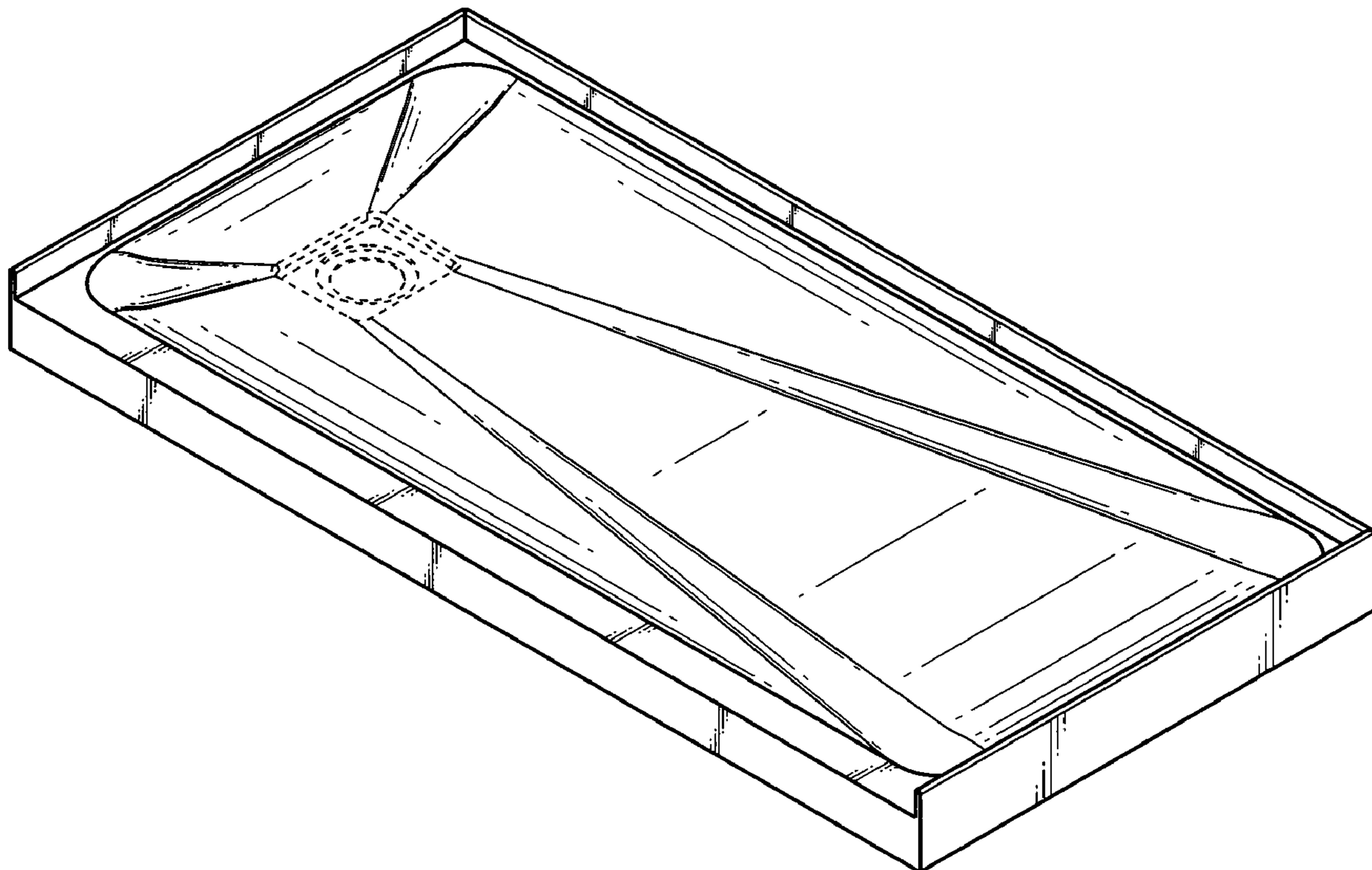
(57) **CLAIM**

The ornamental design for a shower base, as shown and described.

DESCRIPTION

FIG. 1 is a top perspective view of a shower base embodying my new design;
FIG. 2 is a rear plan view thereof;
FIG. 3 is a front plan view thereof;
FIG. 4 is a left side plan view thereof;
FIG. 5 is a right side plan view thereof; and
FIG. 6 is a top plan view thereof; and
FIG. 7 is a bottom plan view thereof.

1 Claim, 7 Drawing Sheets



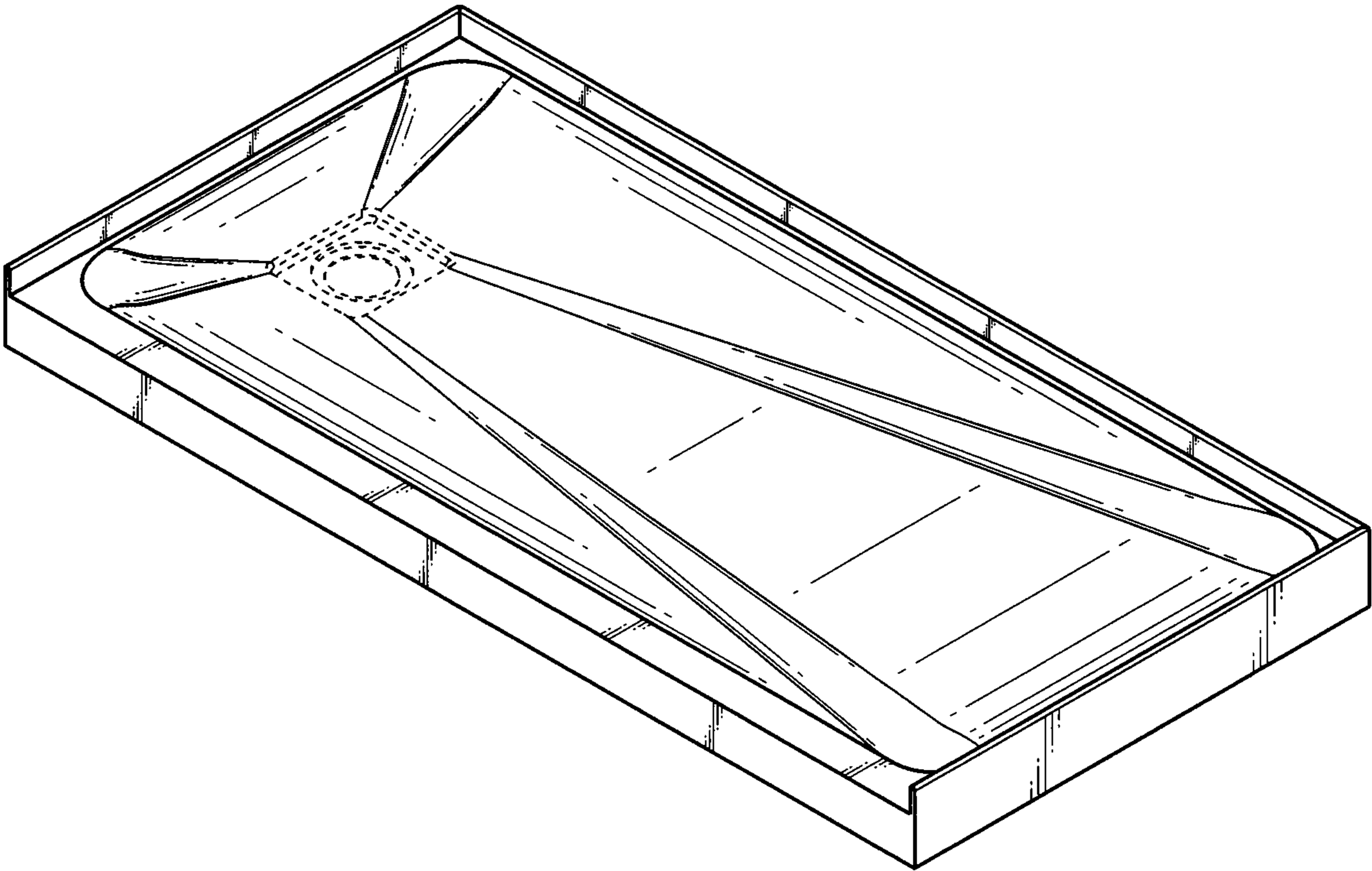


FIG. 1



FIG. 2

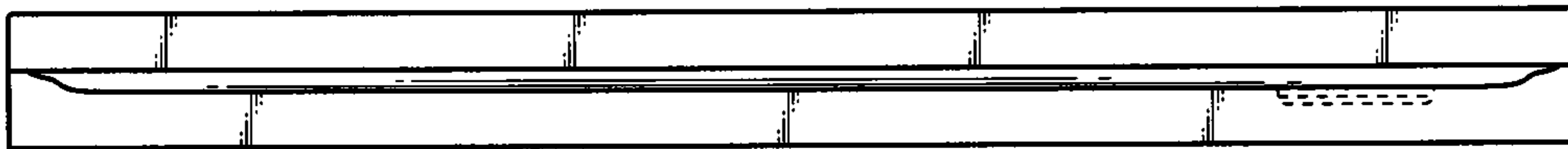


FIG. 3



FIG. 4



FIG. 5

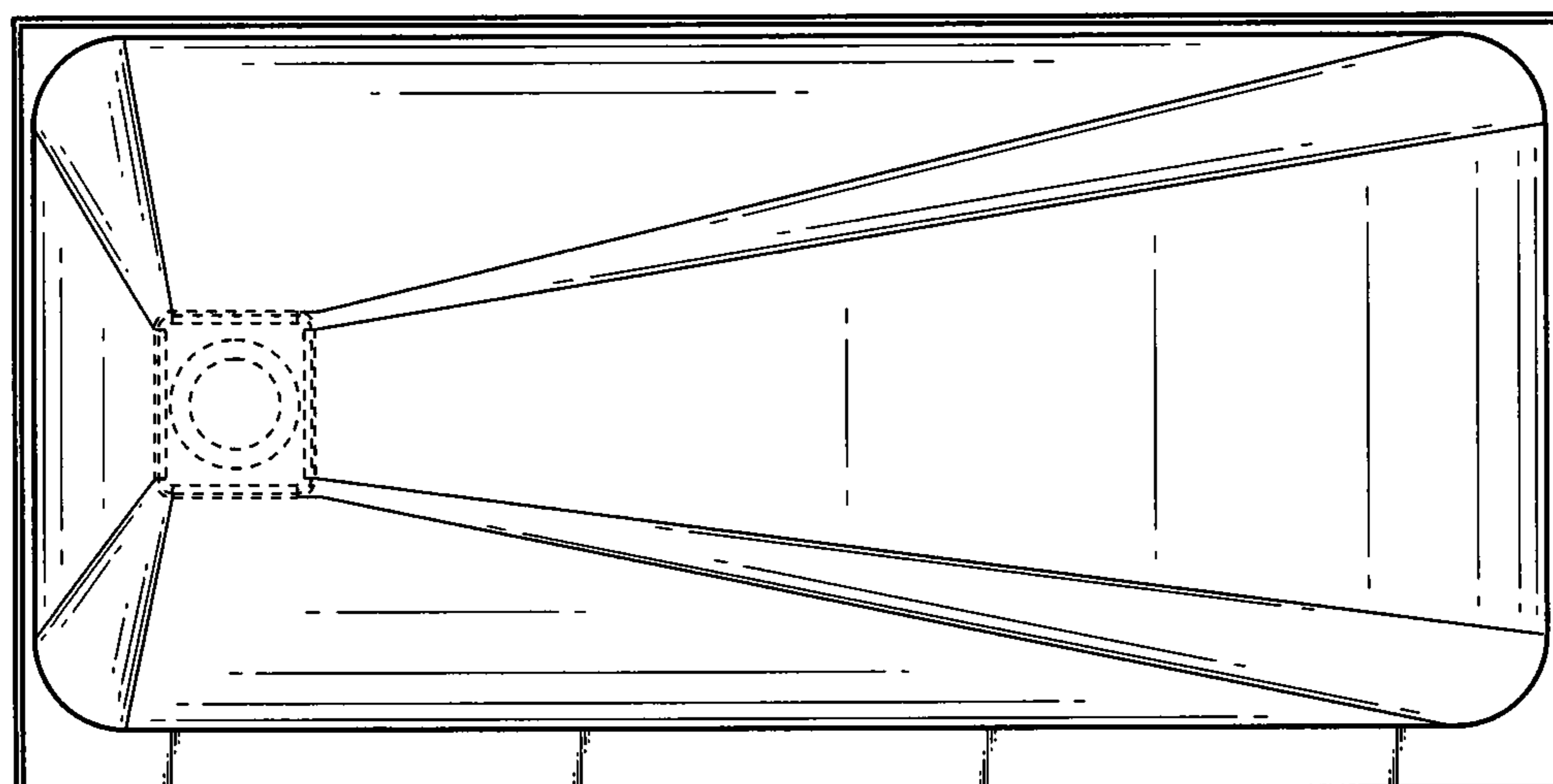


FIG. 6

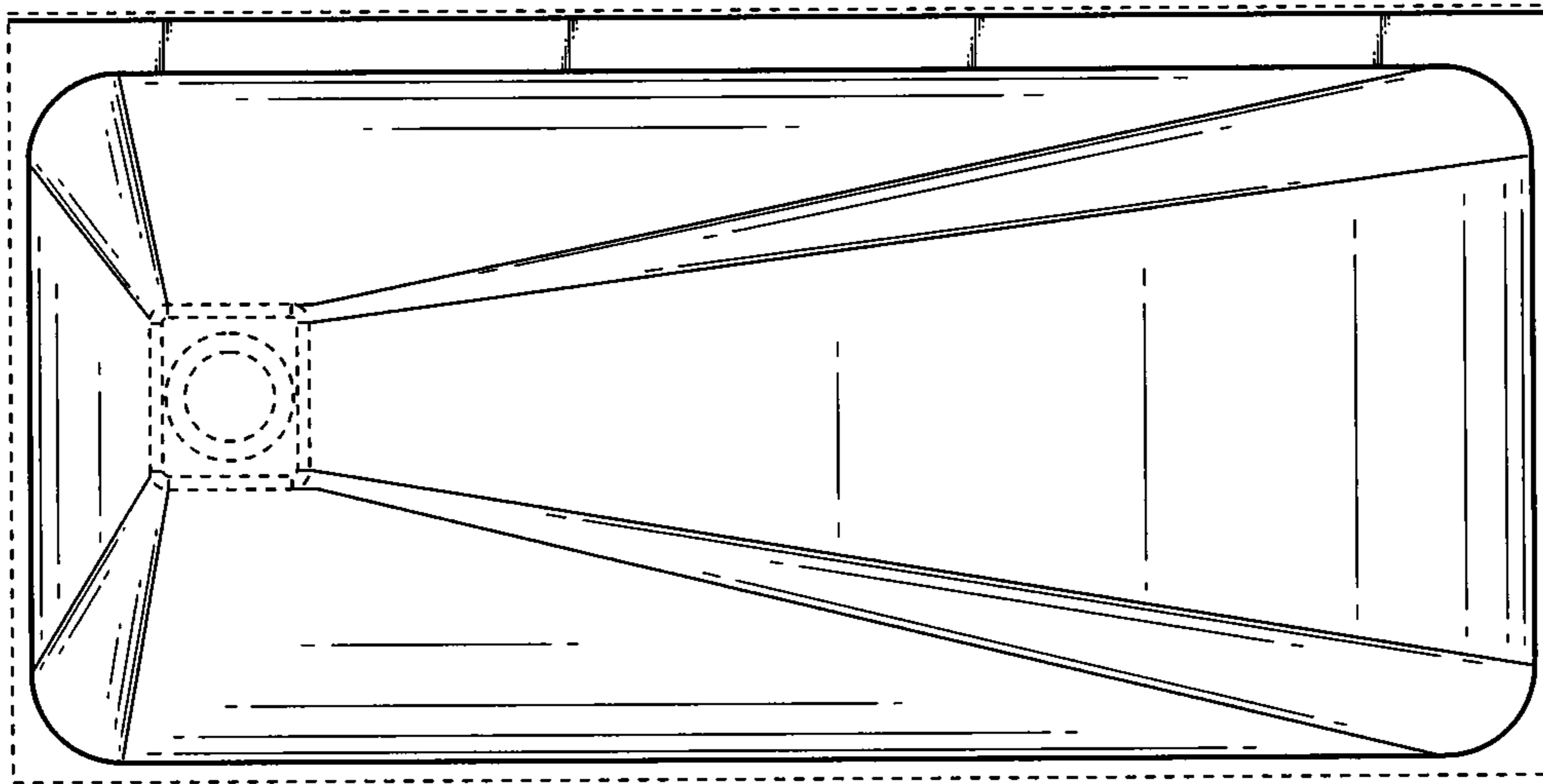


FIG. 7