



US00D926948S

(12) **United States Design Patent**
Belback

(10) **Patent No.:** **US D926,948 S**

(45) **Date of Patent:** **** Aug. 3, 2021**

(54) **BATHING LEG RESTRAINT**

(71) Applicant: **Deborah Belback**, Marietta, GA (US)

(72) Inventor: **Deborah Belback**, Marietta, GA (US)

(**) Term: **15 Years**

(21) Appl. No.: **29/691,479**

(22) Filed: **May 16, 2019**

(51) **LOC (13) Cl.** **23-02**

(52) **U.S. Cl.**
USPC **D23/304**

(58) **Field of Classification Search**
USPC D24/190, 192, 231; D23/304, 278;
D6/601

CPC A47K 3/125; A47K 17/028; A61G 7/0504;
A61H 2001/0211

See application file for complete search history.

(56) **References Cited**

U.S. PATENT DOCUMENTS

3,855,644	A *	12/1974	Benson	A47K 3/127 4/575.1
D340,594	S *	10/1993	Lambert	D24/190
D342,856	S *	1/1994	Hagen	5/632
D345,668	S *	4/1994	Braly	D6/596
5,535,458	A	7/1996	Siverly		
5,674,164	A *	10/1997	Kravitz	A63B 21/0004 482/121
5,746,218	A *	5/1998	Edge	A47C 20/021 128/845
5,970,532	A *	10/1999	Modica	A47K 3/127 4/523
6,254,517	B1 *	7/2001	Kennedy	A63B 21/04 482/121

6,804,842	B1	10/2004	Johnson		
D563,491	S *	3/2008	Kaplan	D21/692
8,122,529	B2	2/2012	Steggert		
8,479,333	B2 *	7/2013	Gould	A61G 7/0755 5/648
8,898,826	B2	12/2014	Kobzan		
D898,430	S *	10/2020	Kulik	D6/601
10,814,162	B2 *	10/2020	Han	A63B 21/4033
2003/0163866	A1	9/2003	Northington et al.		
2020/0187722	A1 *	6/2020	Belback	A47K 3/001

* cited by examiner

Primary Examiner — Robert A Delehanty

(74) *Attorney, Agent, or Firm* — Boudwin Intellectual Property; Daniel Boudwin

(57) **CLAIM**

The ornamental design for a bathing leg restraint, as shown and described.

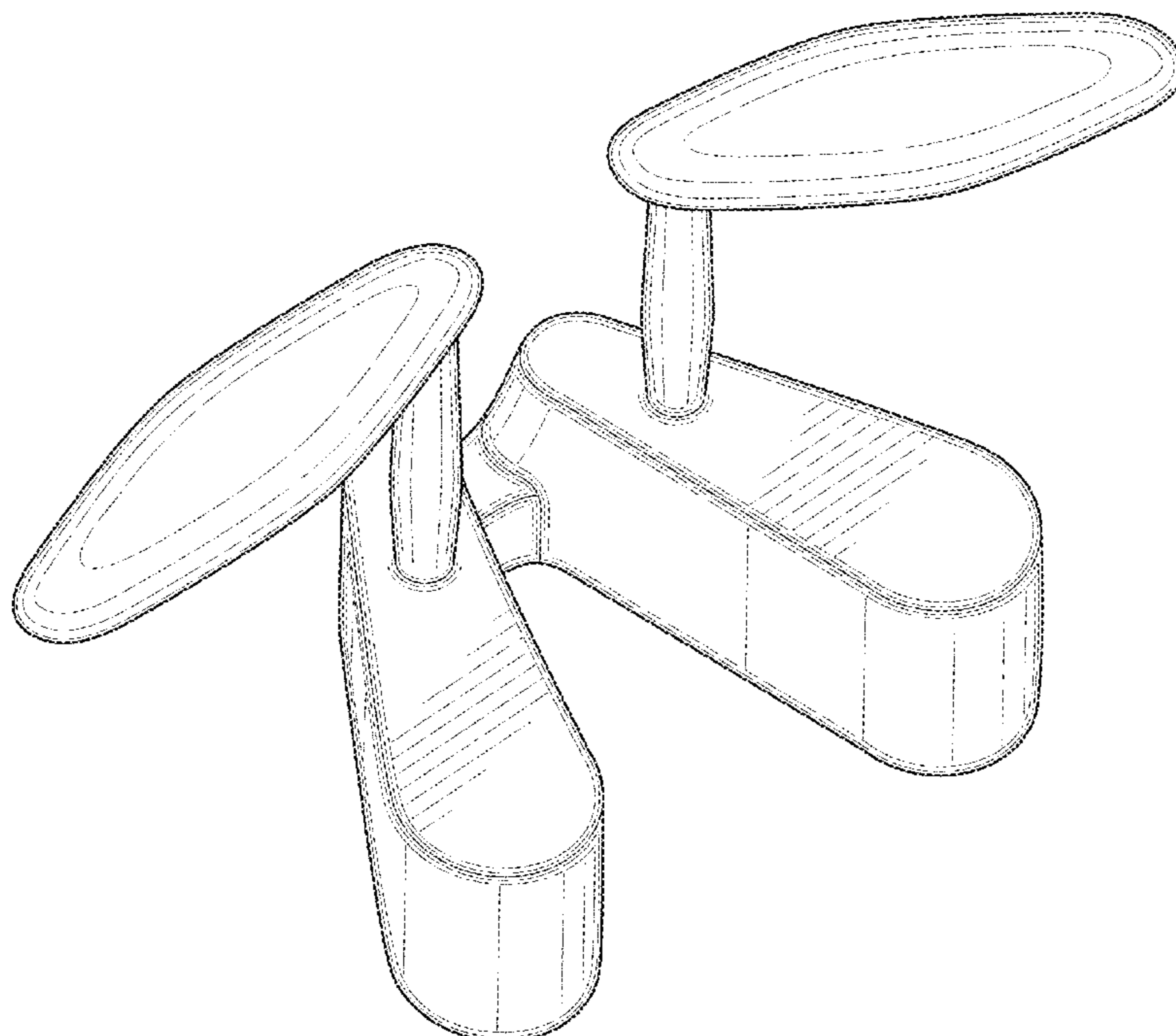
DESCRIPTION

FIG. 1 shows a perspective view of a bathing leg restraint; FIG. 2 shows a front elevation view thereof; FIG. 3 shows a rear elevation view thereof; FIG. 4 show a top plan view thereof; FIG. 5 shows a bottom plan view thereof; FIG. 6 shows a left side elevation view thereof; and, FIG. 7 shows a right side elevation view thereof.

The shade lines in the Figures show contour and not surface ornamentation.

The broken lines shown in the Figures show portions of the bathing leg restraint which form no part of the claimed design.

1 Claim, 4 Drawing Sheets



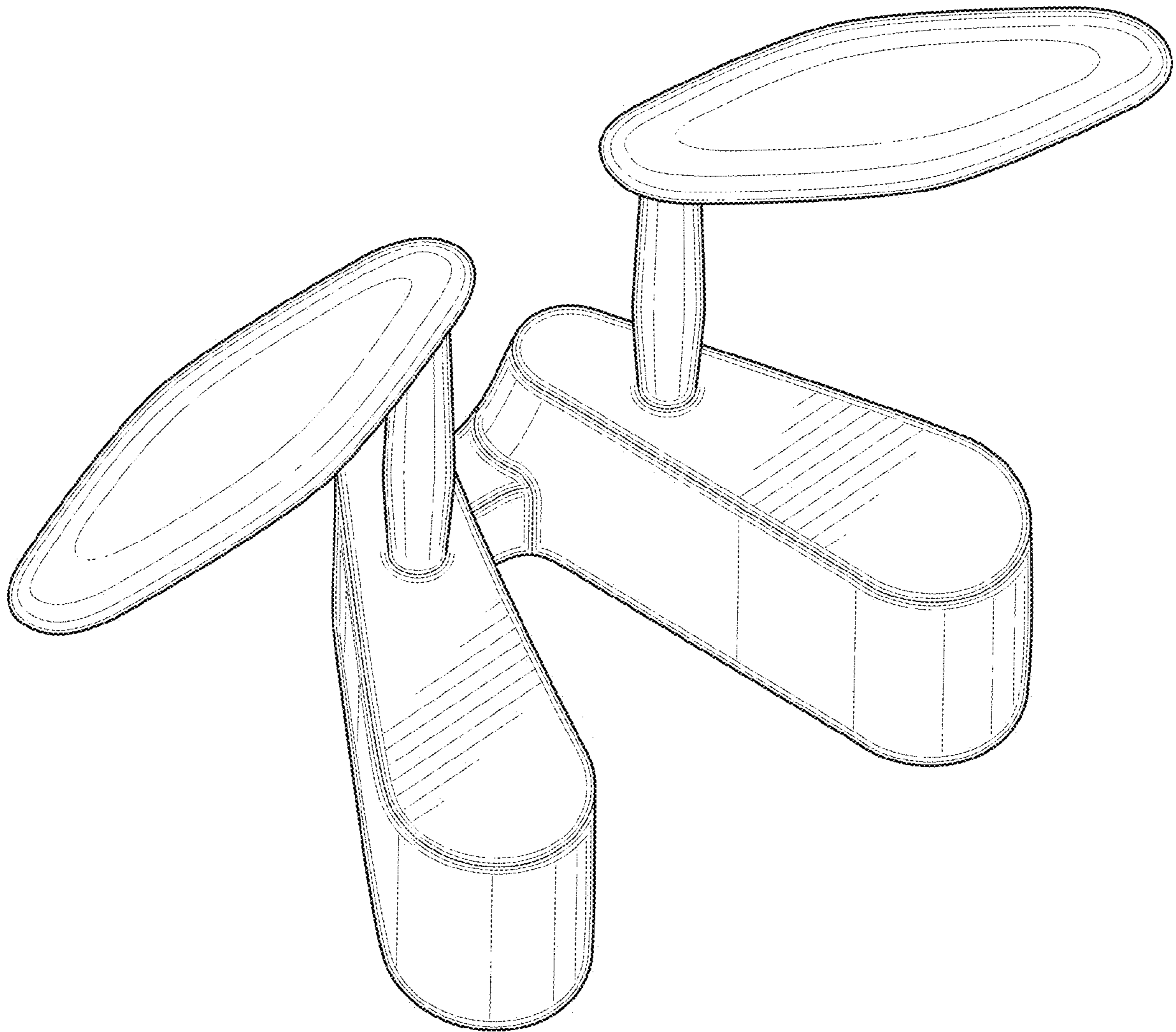


FIG. 1

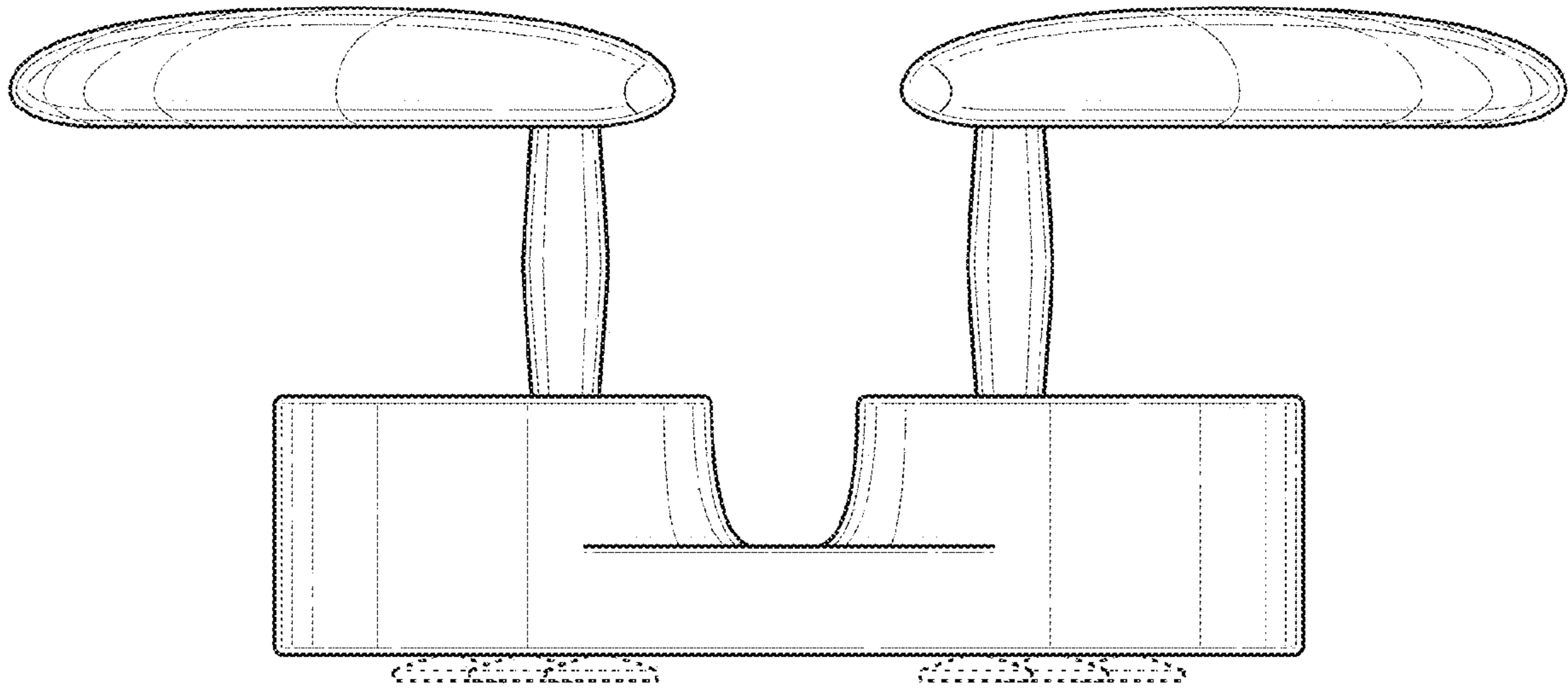


FIG. 2

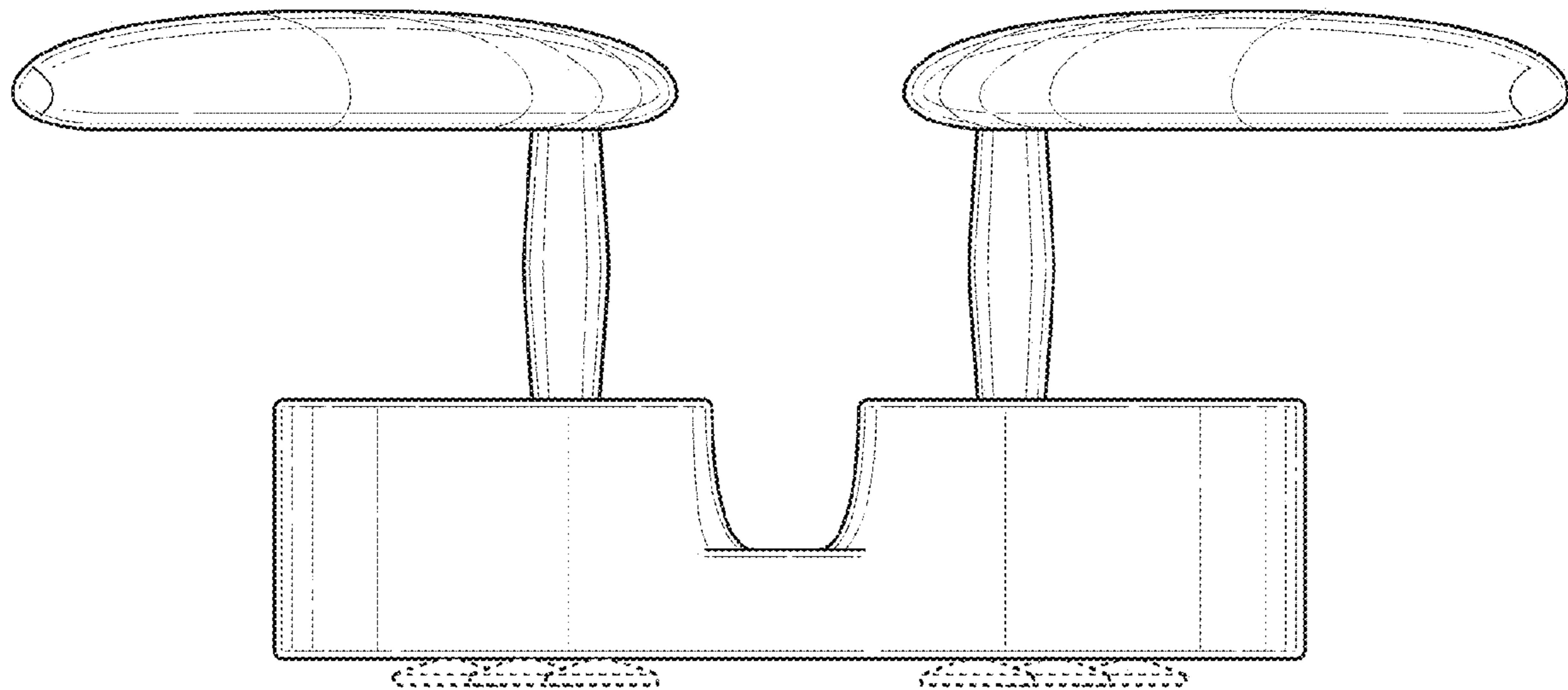


FIG. 3

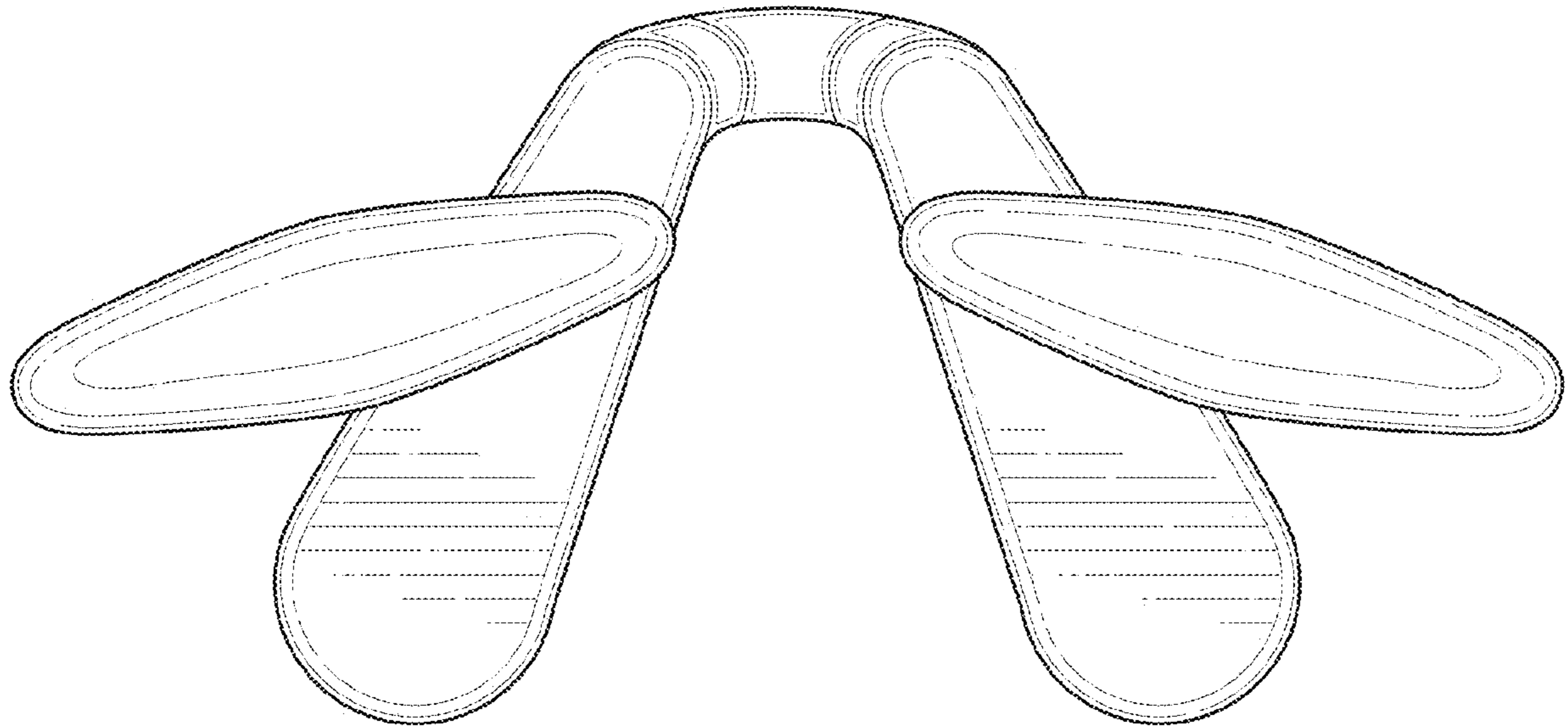


FIG. 4

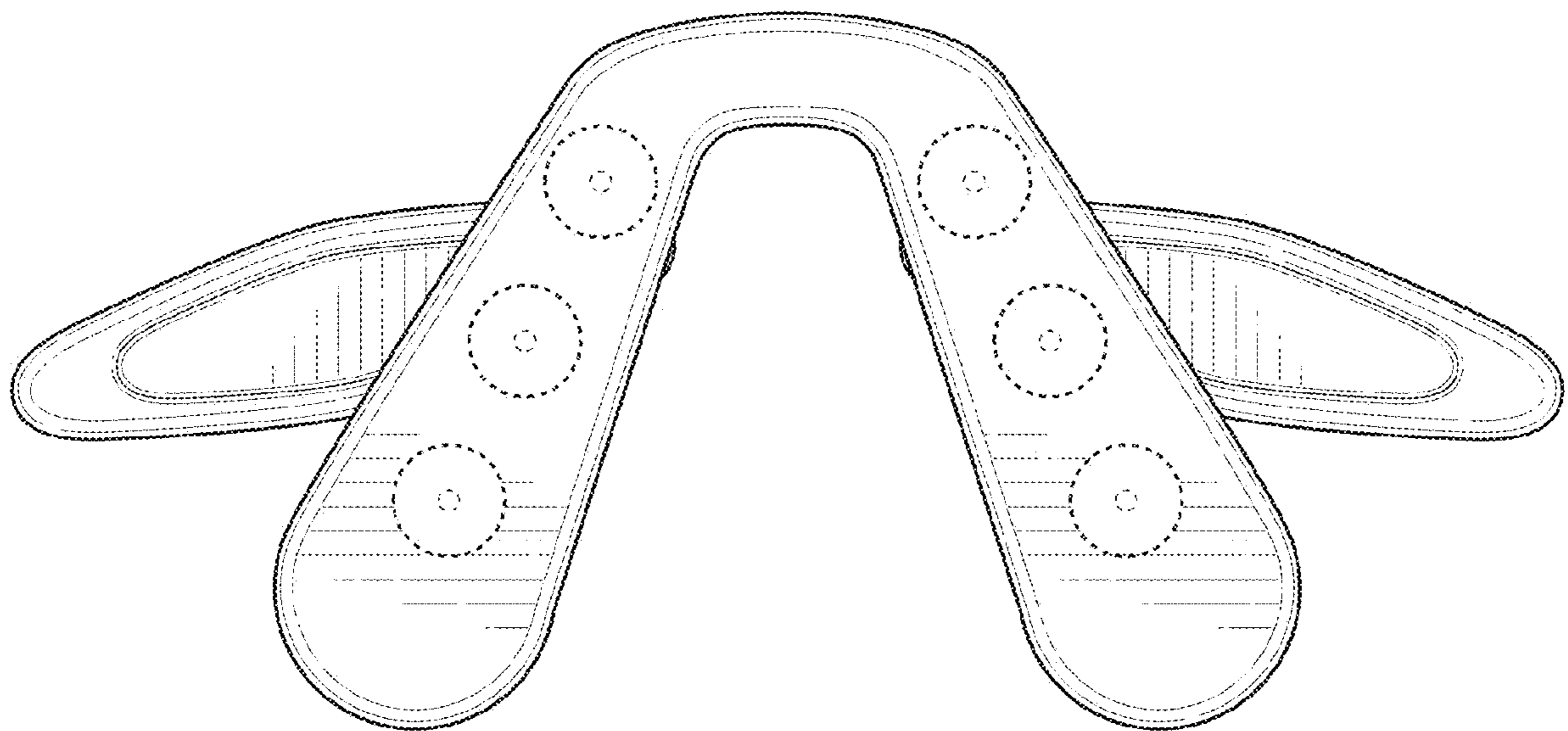


FIG. 5

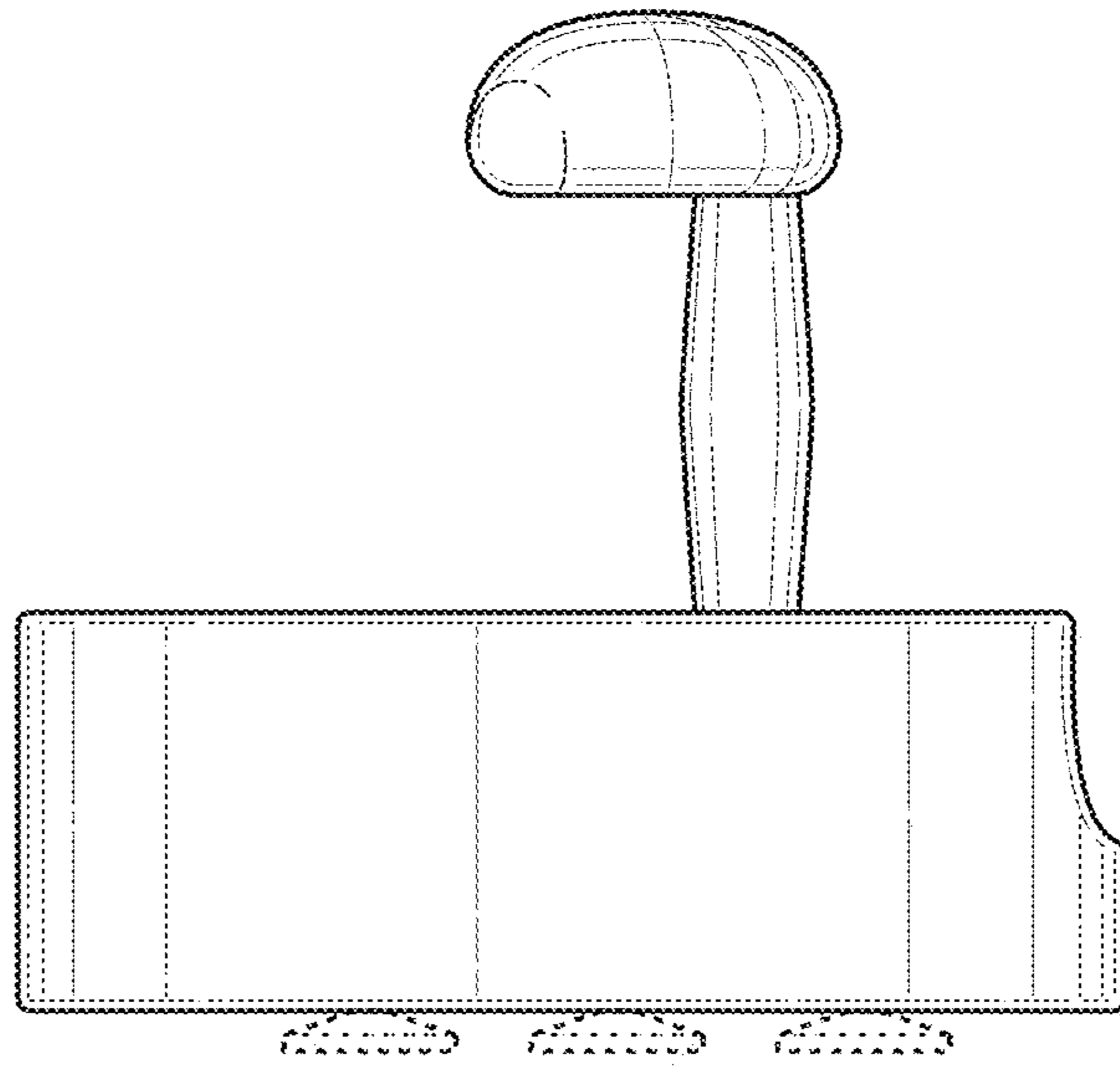


FIG. 6

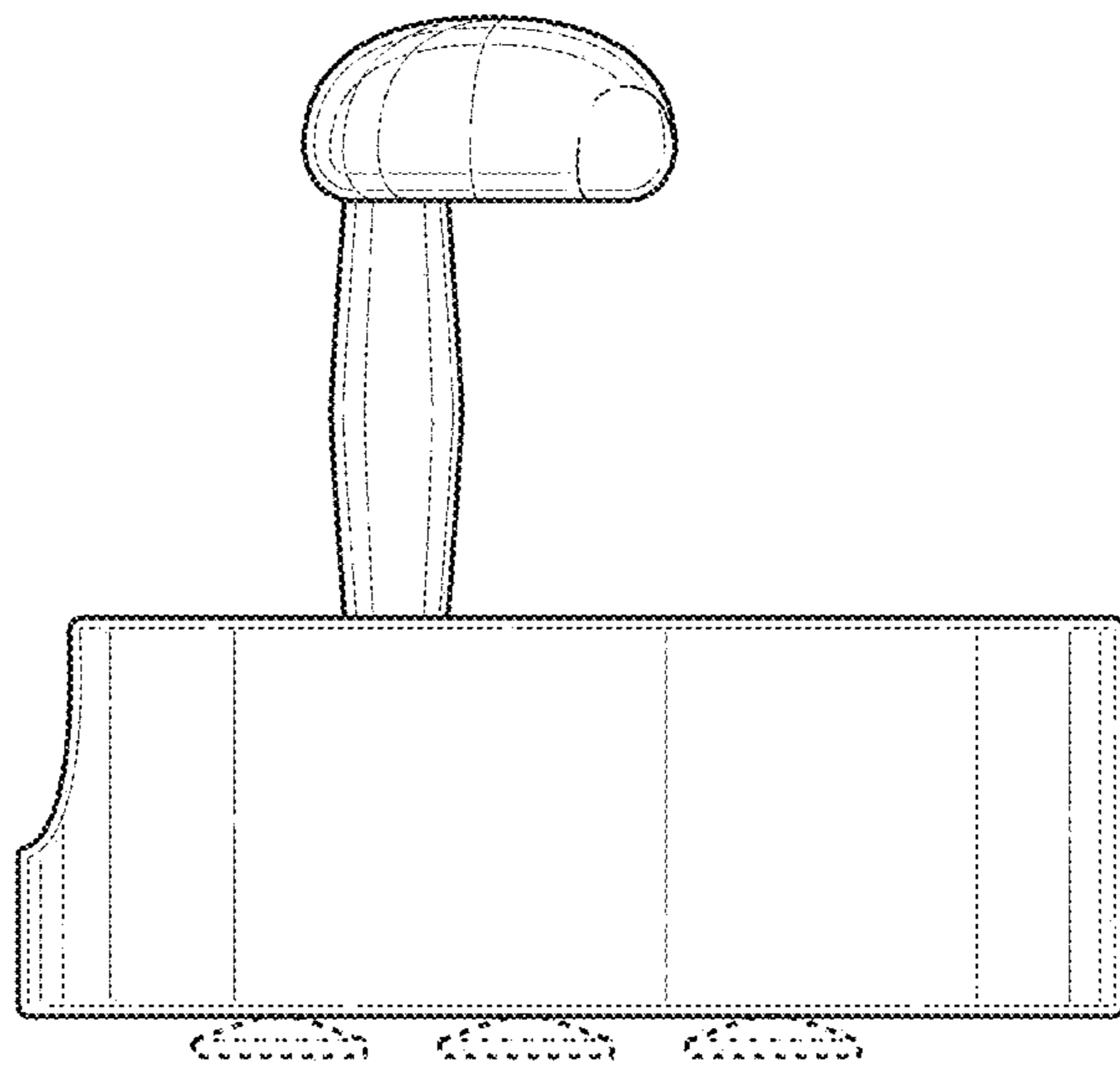


FIG. 7