



US00D926947S

(12) **United States Design Patent**
Ling et al.

(10) **Patent No.:** **US D926,947 S**
(45) **Date of Patent:** **** Aug. 3, 2021**

(54) **KITCHEN SINK**

(71) Applicant: **Shanghai Aquacubic Sanitaryware Co., Ltd.**, Shanghai (CN)

(72) Inventors: **Ruizhi Ling**, Shanghai (CN); **Shichang Dou**, Shanghai (CN)

(73) Assignee: **Shanghai Aquacubic Sanitaryware Co., Ltd.**, Shanghai (CN)

(**) Term: **15 Years**

(21) Appl. No.: **29/721,283**

(22) Filed: **Jan. 20, 2020**

(51) **LOC (13) Cl.** **23-02**

(52) **U.S. Cl.**
USPC **D23/284**

(58) **Field of Classification Search**
USPC D23/284, 286–287, 290, 292, 293.1, 308
(Continued)

(56) **References Cited**

U.S. PATENT DOCUMENTS

D867,555 S * 11/2019 Huang D23/284
D871,562 S * 12/2019 Parekh D23/290
(Continued)

OTHER PUBLICATIONS

Black Farmhouse Sink—VOKIM: <https://www.amazon.com/Black-Farmhouse-Sink-Stainless-Workstation/dp/B089K4VJVC> (Year: 2020).
(Continued)

Primary Examiner — Robert A Delehanty

(57) **CLAIM**

The ornamental design for a kitchen sink, as shown and described.

DESCRIPTION

The file of this patent contains at least one drawing/photograph executed in color. Copies of this patent with color

drawing(s)/photograph(s) will be provided by the Office upon request and payment of the necessary fee.

FIG. 1 is a perspective view showing our new design;

FIG. 2 is a front view thereof;

FIG. 3 is a left side view thereof;

FIG. 4 is a right side view thereof;

FIG. 5 is a top plan view thereof;

FIG. 6 is a bottom plan view thereof;

FIG. 7 is a rear view thereof;

FIG. 8 is a color photograph showing a perspective view of the claimed design, wherein the color of the kitchen sink is gun black;

FIG. 9 is a color photograph showing a front view of FIG. 8;

FIG. 10 is a color photograph showing a left side view of FIG. 8;

FIG. 11 is a color photograph showing a right side view of FIG. 8;

FIG. 12 is a color photograph showing a top plan view of FIG. 8;

FIG. 13 is a color photograph showing a bottom plan view of FIG. 8;

FIG. 14 is a color photograph showing a rear view of FIG. 8;

FIG. 15 is a color photograph showing a perspective view of the claimed design, wherein the color of the kitchen sink is gold;

FIG. 16 is a color photograph showing a front view of FIG. 15;

FIG. 17 is a color photograph showing a left side view of FIG. 15;

FIG. 18 is a color photograph showing a right side view of FIG. 15;

FIG. 19 is a color photograph showing a top plan view of FIG. 15;

FIG. 20 is a color photograph showing a bottom plan view of FIG. 15;

FIG. 21 is a color photograph showing a rear view of FIG. 15;

FIG. 22 is a color photograph showing a perspective view of the claimed design, wherein the color of the kitchen sink is rose gold;

FIG. 23 is a color photograph showing a front view of FIG. 22;

(Continued)

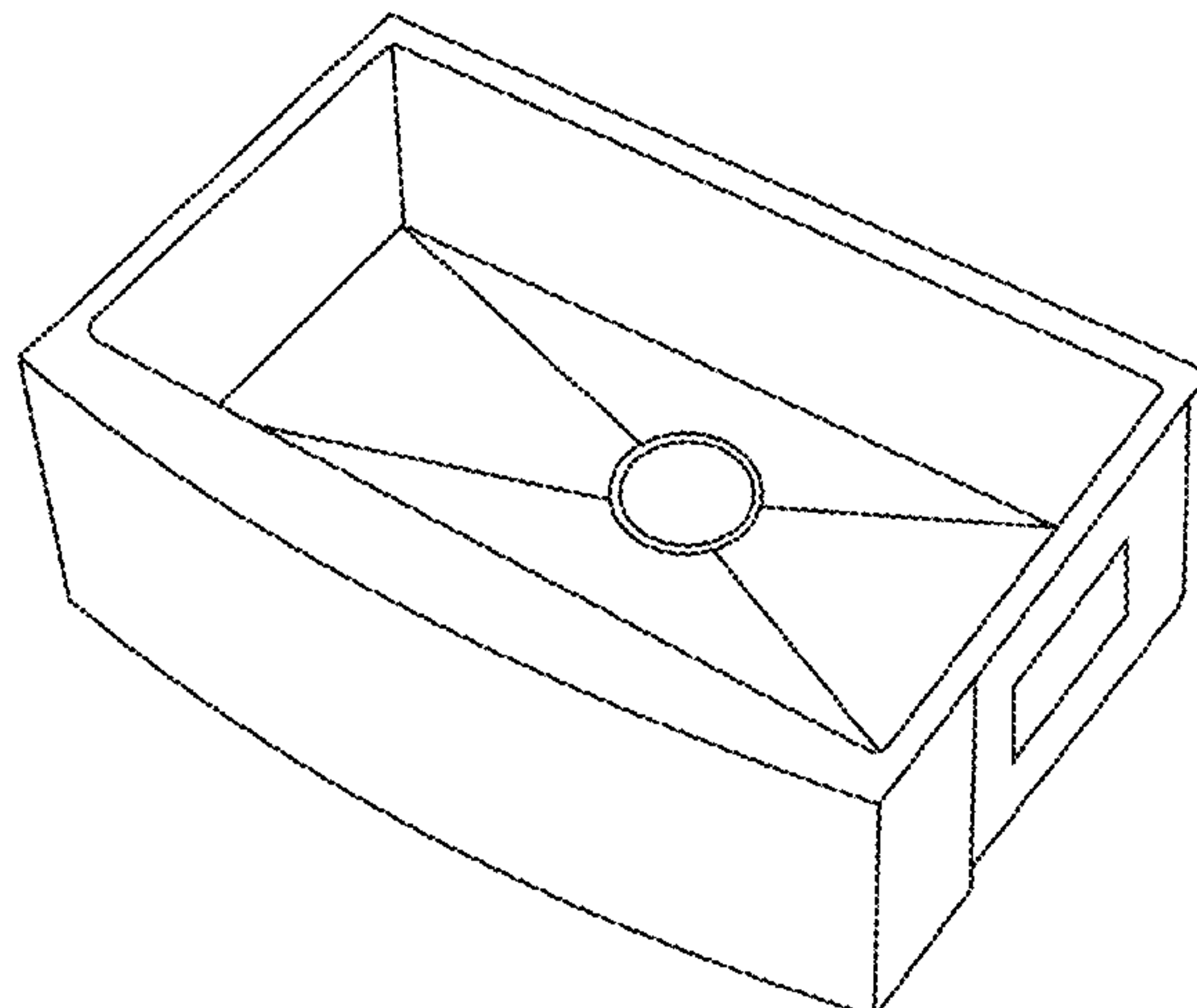


FIG. 24 is a color photograph showing a left side view of FIG. 22;
FIG. 25 is a color photograph showing a right side view of FIG. 22;
FIG. 26 is a color photograph showing a top plan view of FIG. 22;
FIG. 27 is a color photograph showing a bottom plan view of FIG. 22; and,
FIG. 28 is a color photograph showing a rear view of FIG. 22.

**1 Claim, 13 Drawing Sheets
(10 of 13 Drawing Sheet(s) Filed in Color)**

(58) Field of Classification Search

CPC A47K 1/04; A47B 77/06
See application file for complete search history.

(56) References Cited

U.S. PATENT DOCUMENTS

D884,844 S * 5/2020 Osher D23/284
10,844,582 B1 * 11/2020 Hocaoglu E03C 1/182
D914,170 S * 3/2021 Li D23/290
2020/0102727 A1 * 4/2020 Li E03C 1/335

OTHER PUBLICATIONS

Lordear Farmhouse stainless steel kitchen sink Farmhouse Apron:
<https://www.lowes.com/pd/Lordear-33-In-x-21-In-x-10-In-16-Gauge-Stainless-Steel-Matte-Gold-Single-Bowl-Under-Count-Apron-Front-Farmhouse-Residential-Kitchen-Sink/1003265622> (Year: 2021).*

* cited by examiner

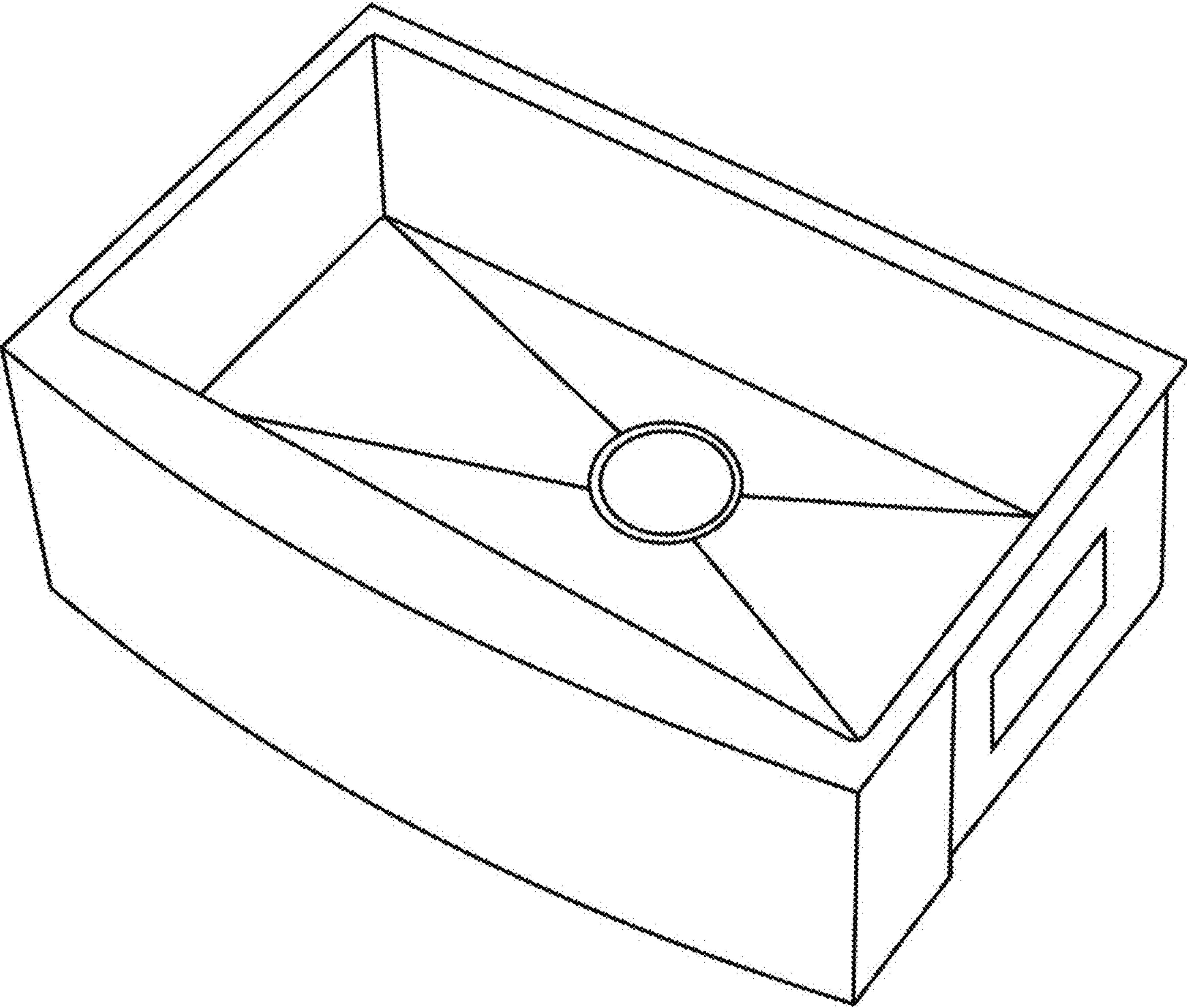


FIG. 1



FIG. 2

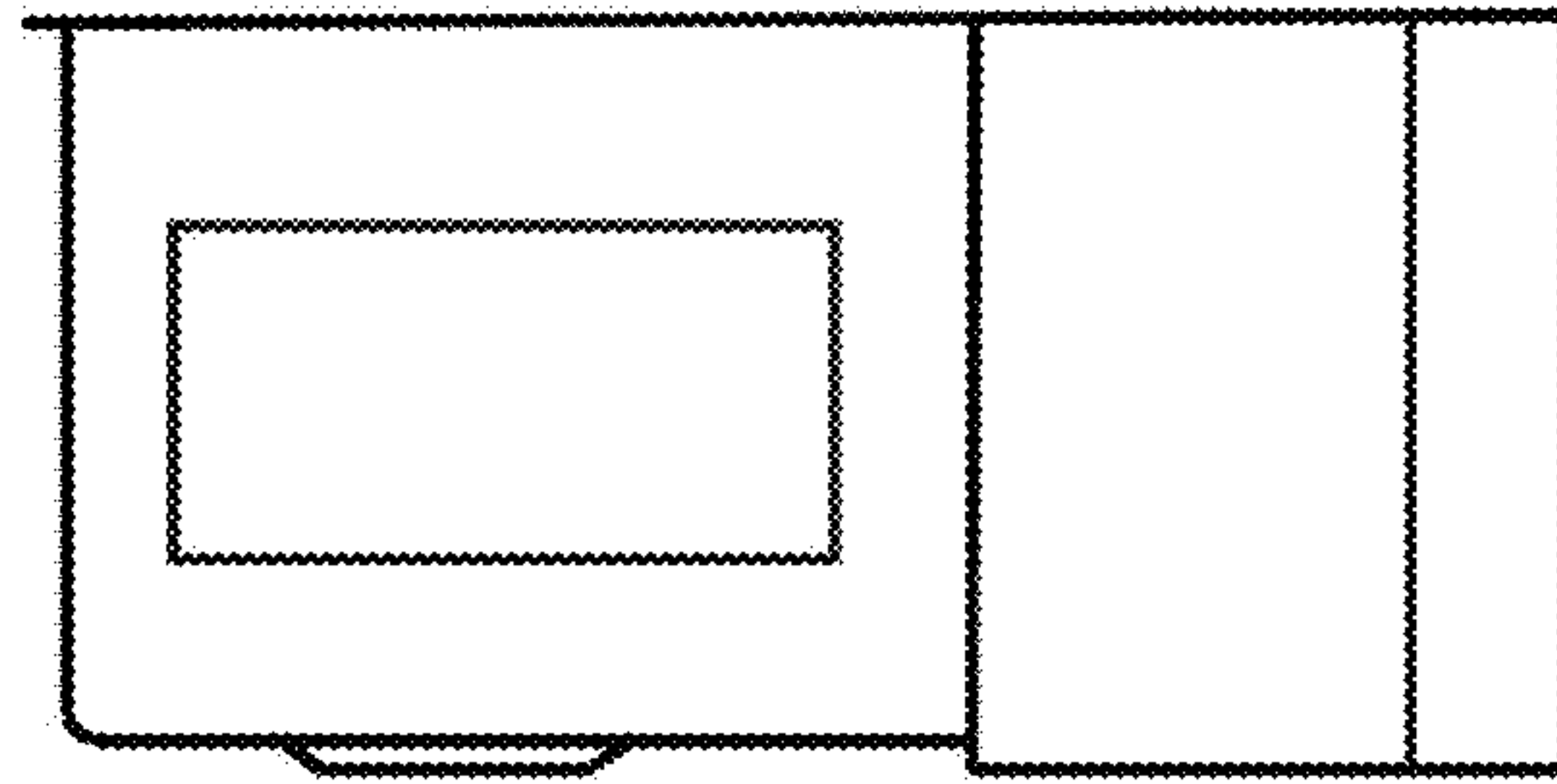


FIG. 3

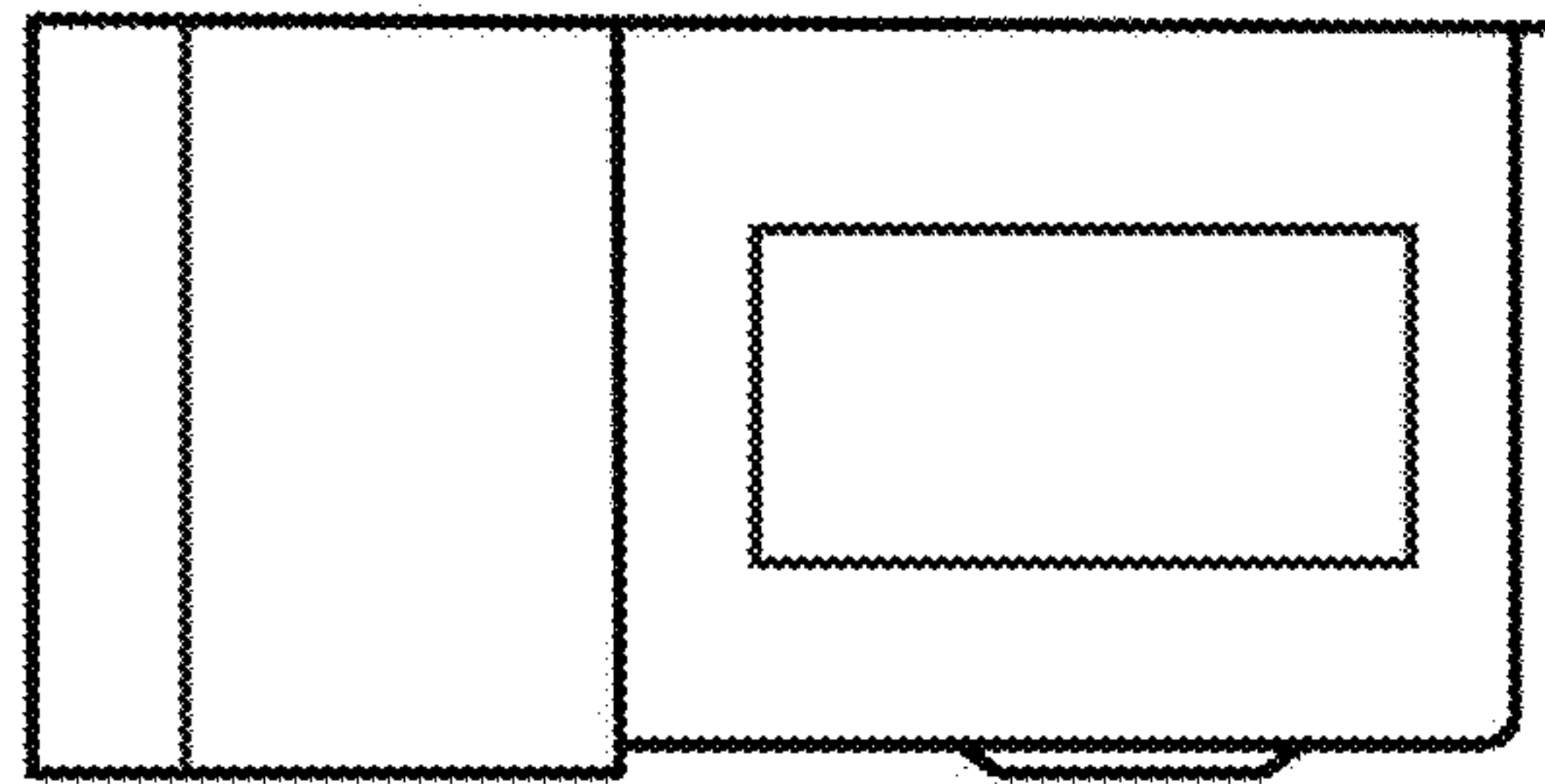


FIG. 4

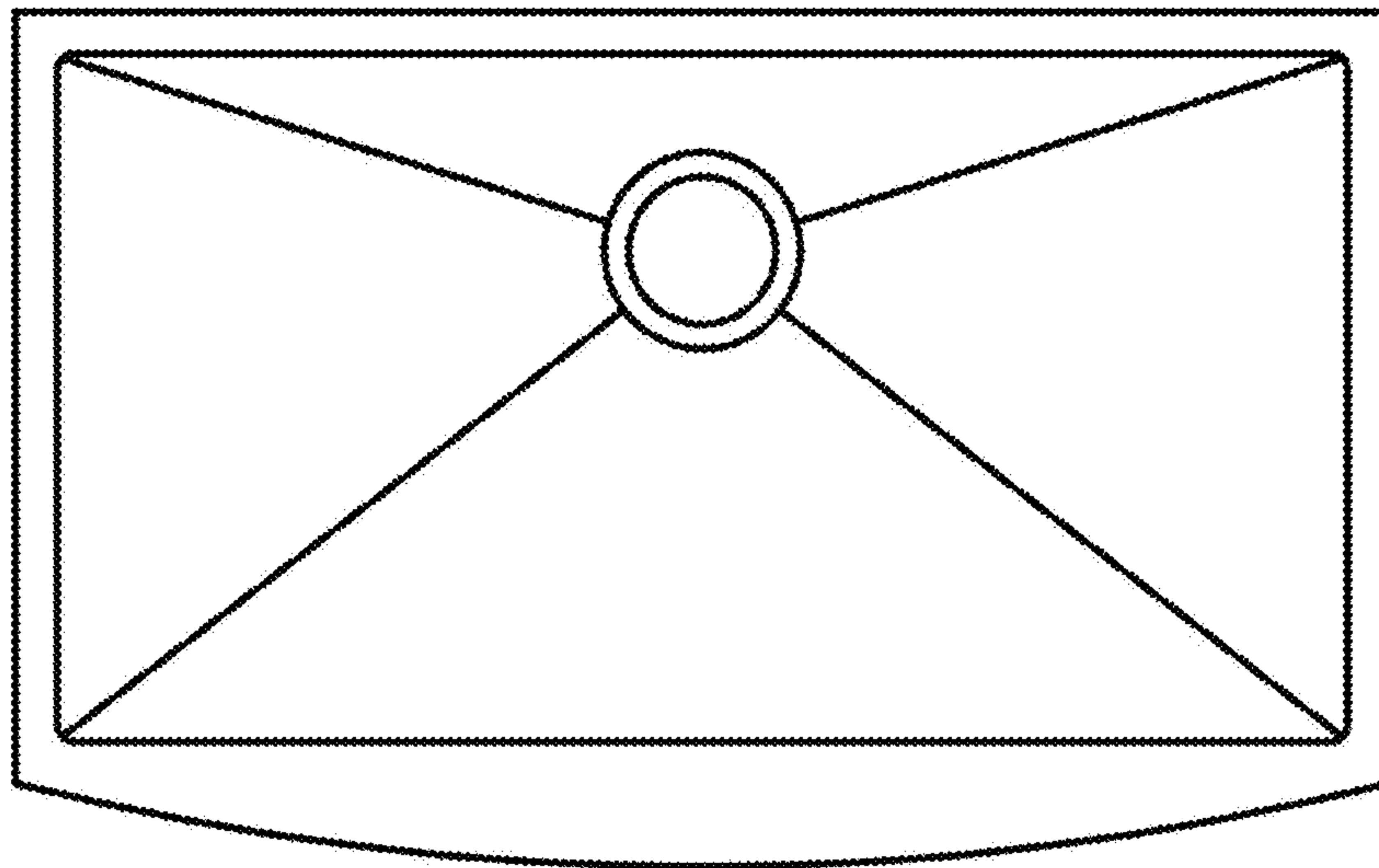


FIG. 5

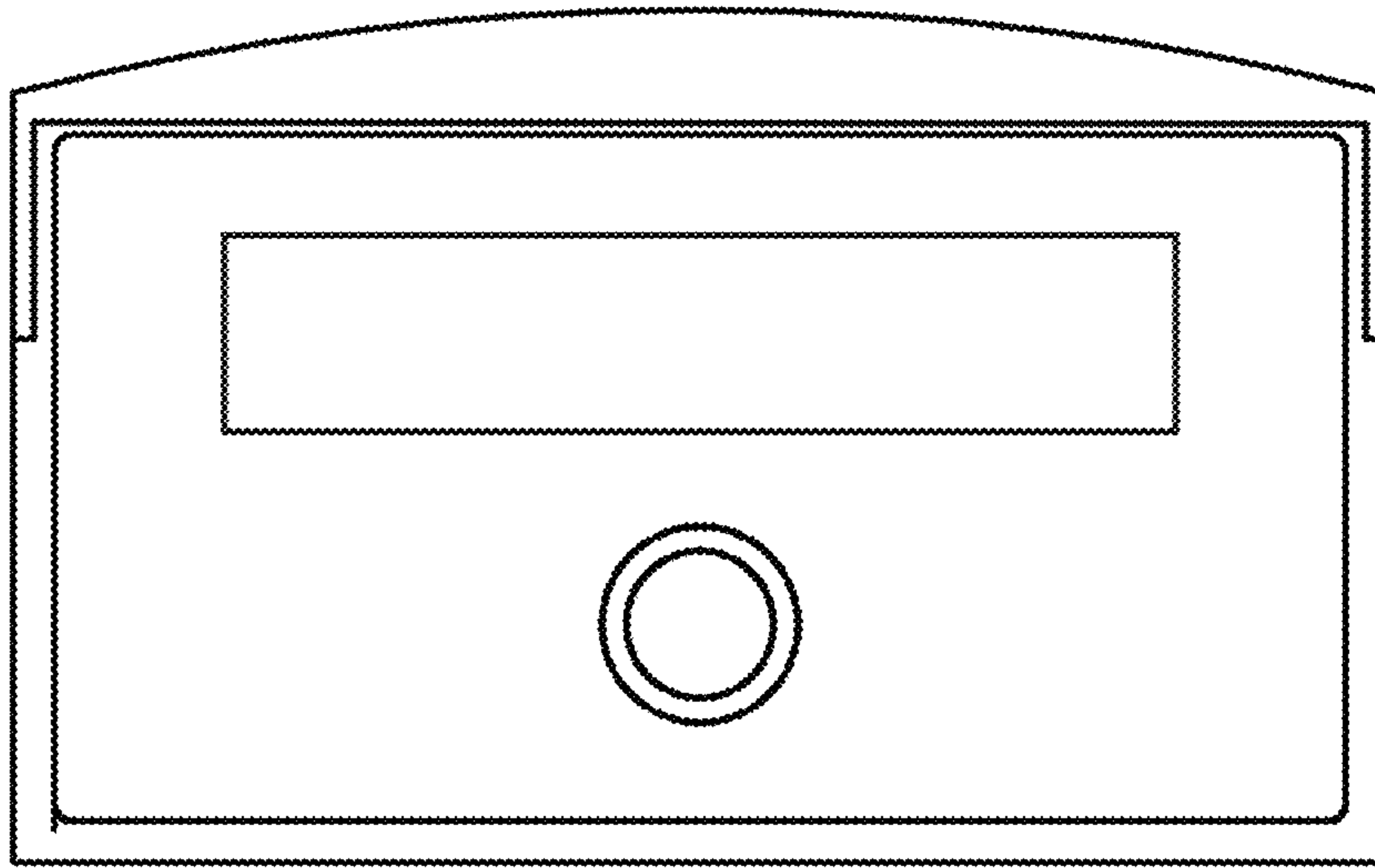


FIG. 6

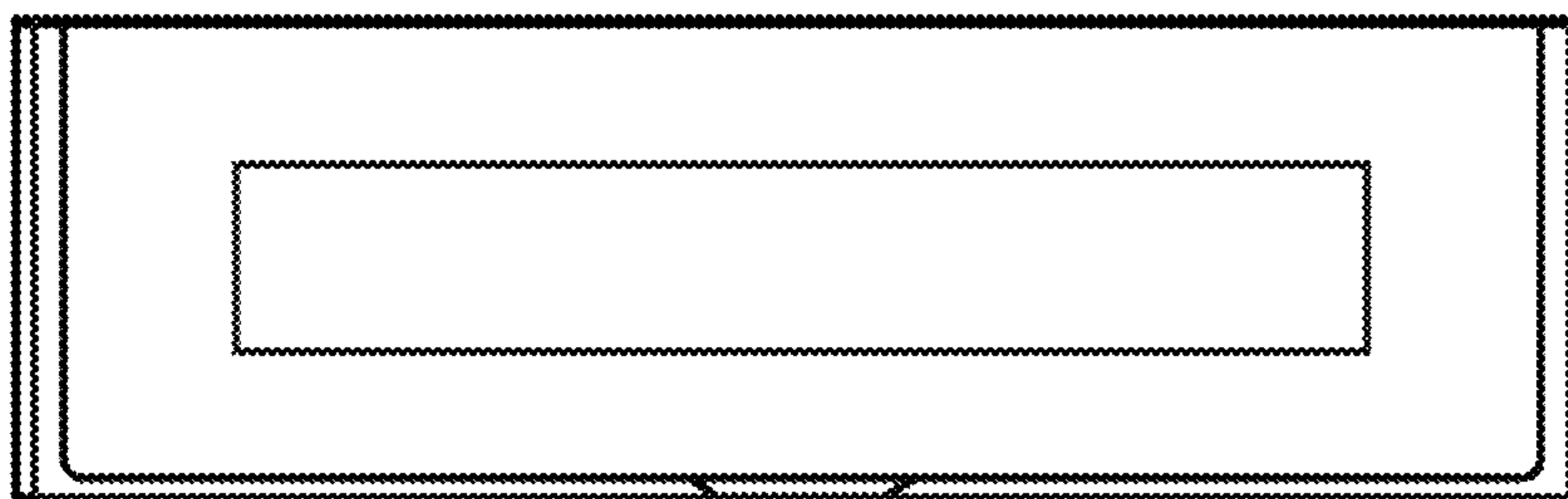


FIG. 7

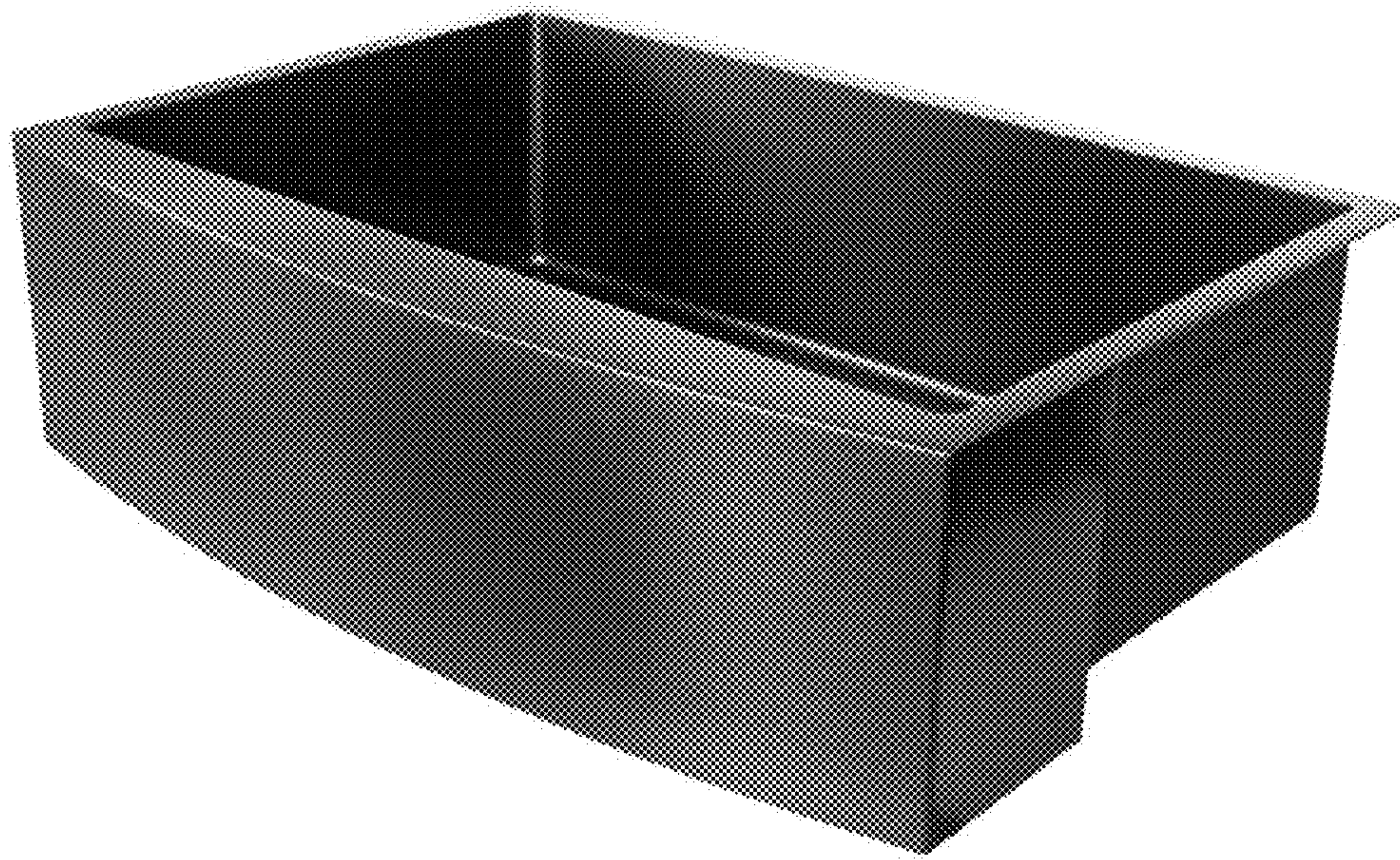


FIG. 8



FIG. 9

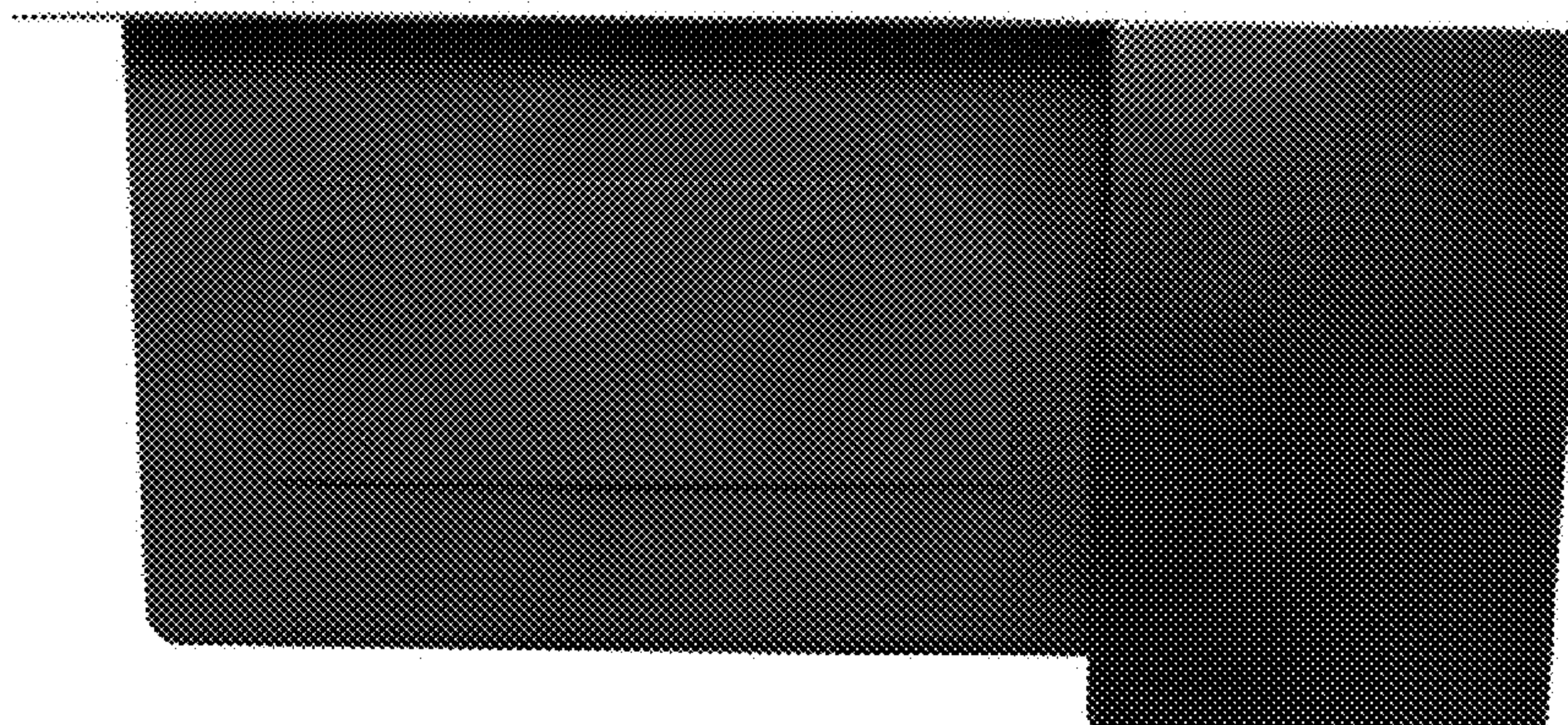


FIG. 10

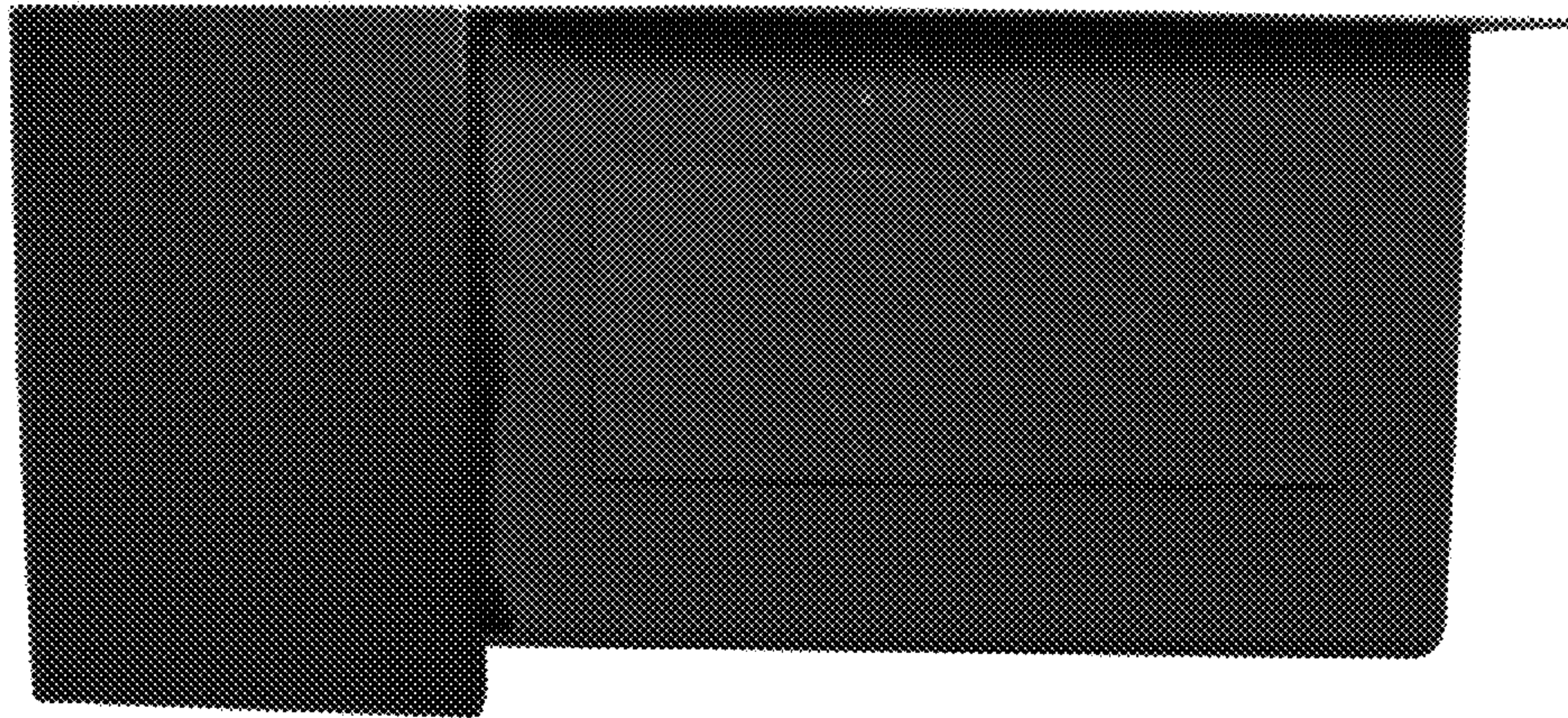


FIG. 11

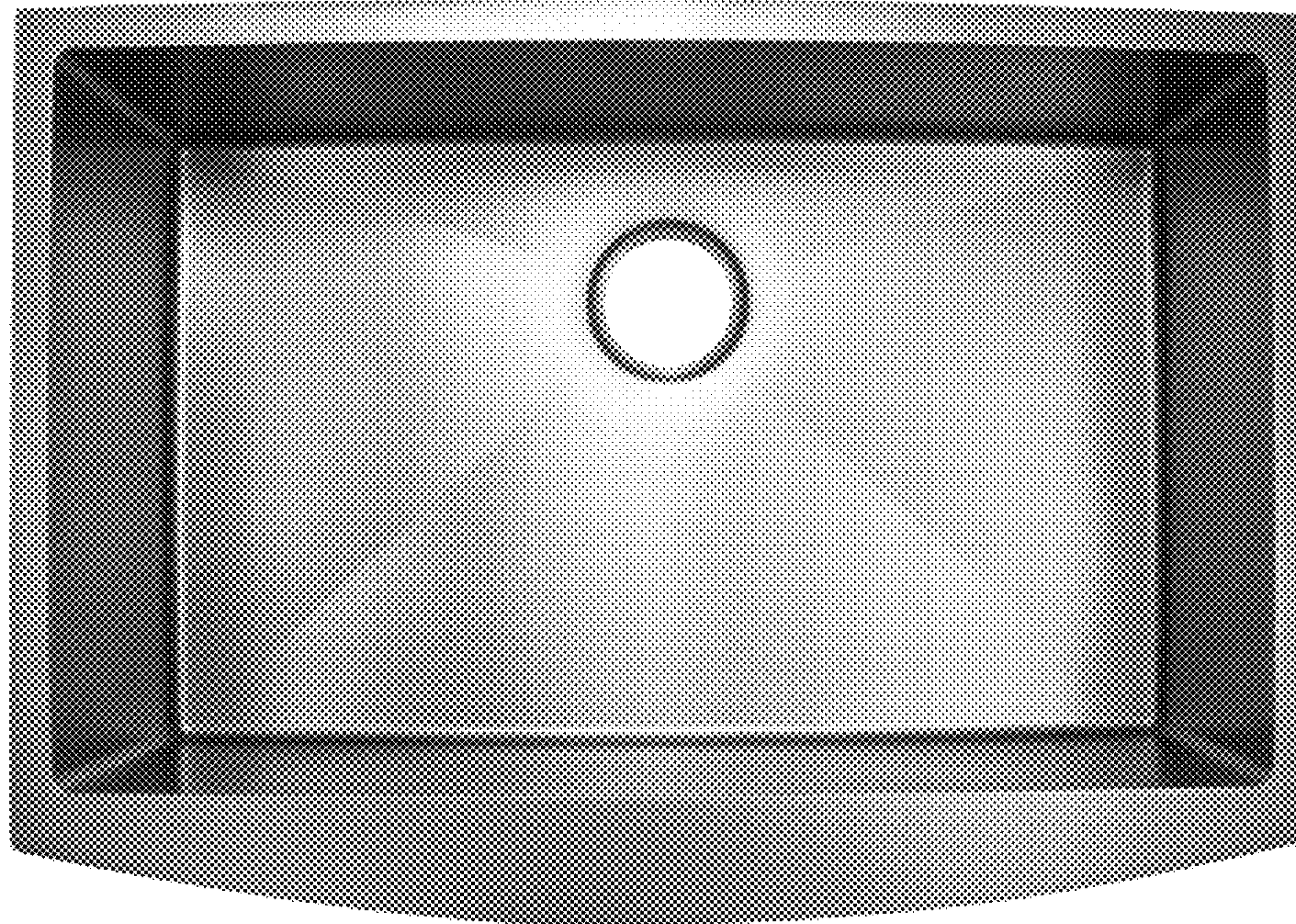


FIG. 12



FIG. 13

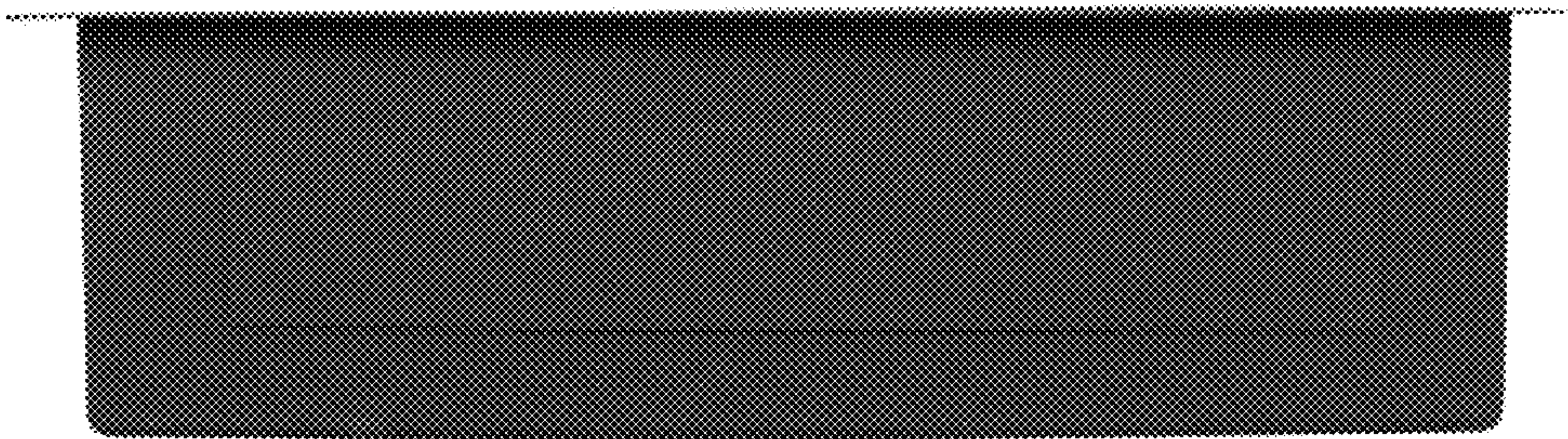


FIG. 14



FIG. 15

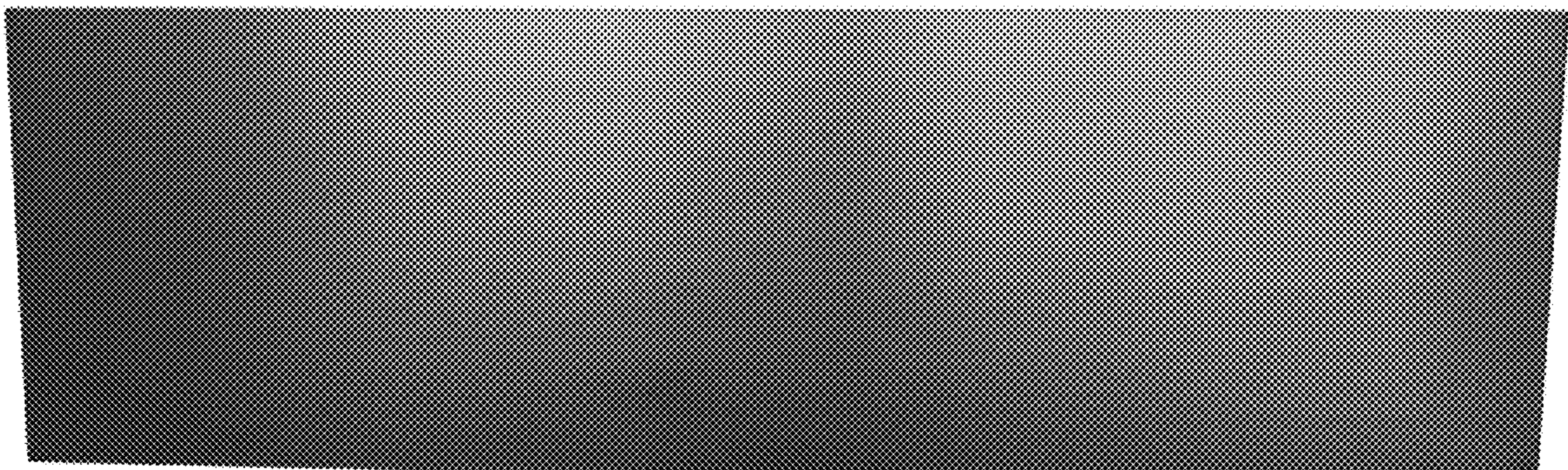


FIG. 16

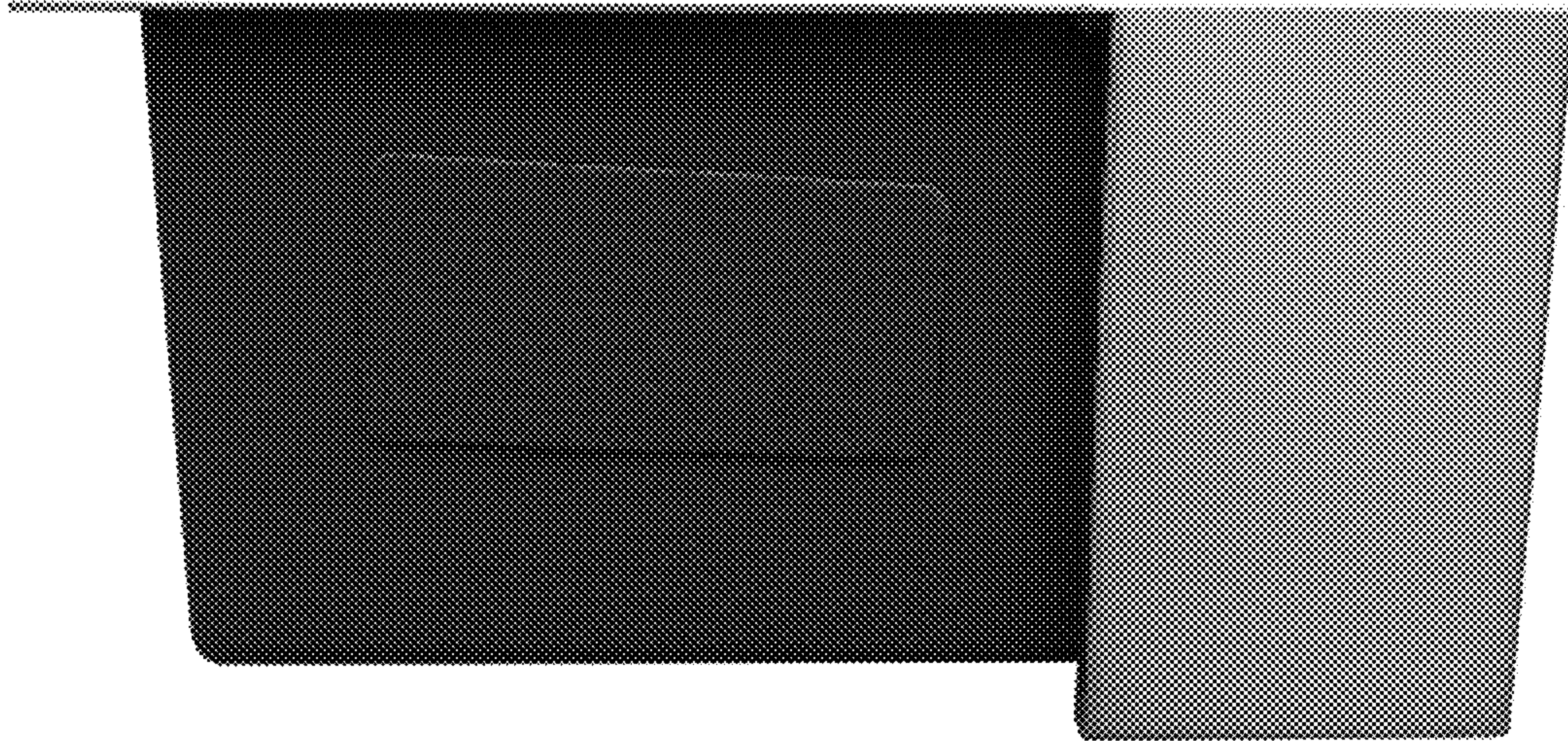


FIG. 17

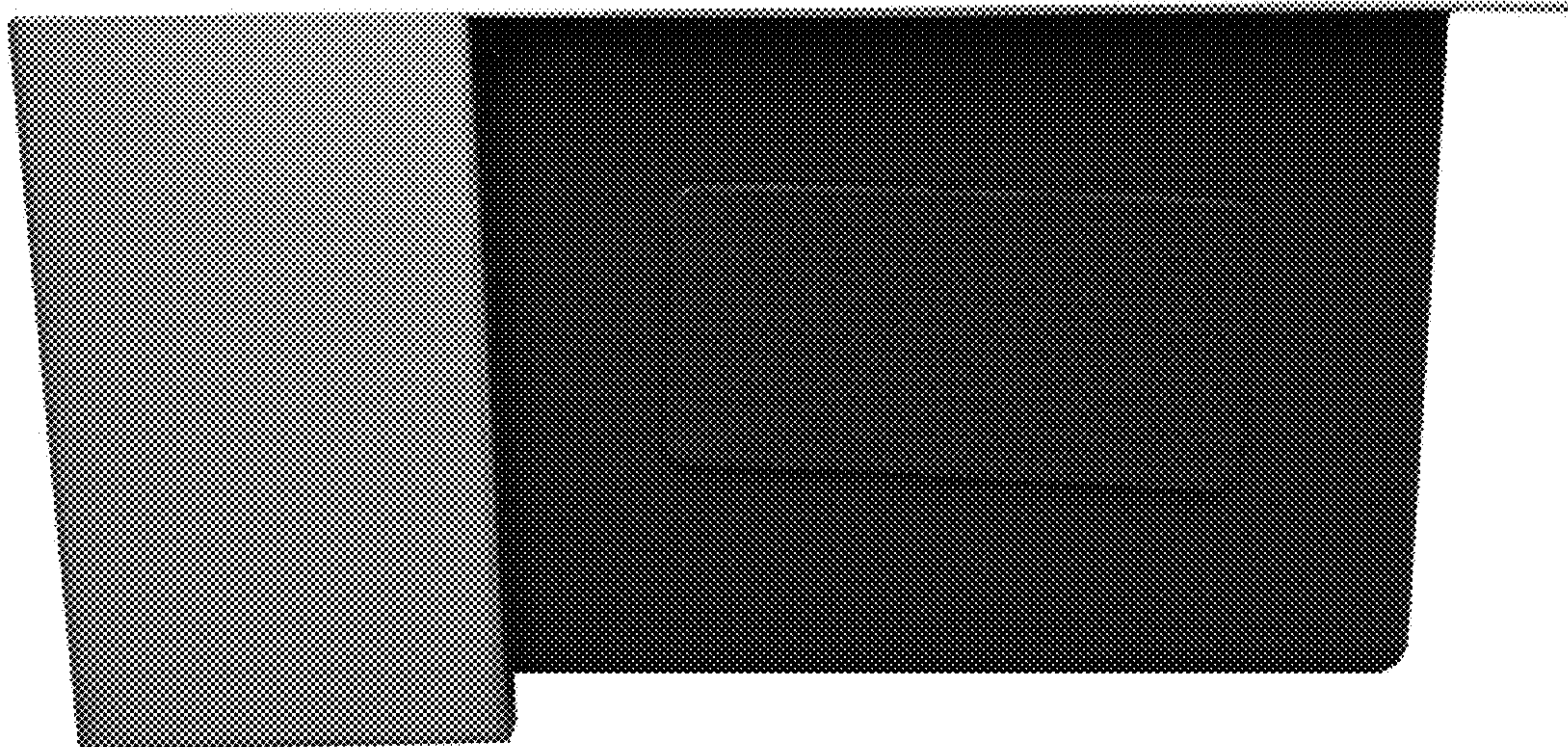


FIG. 18

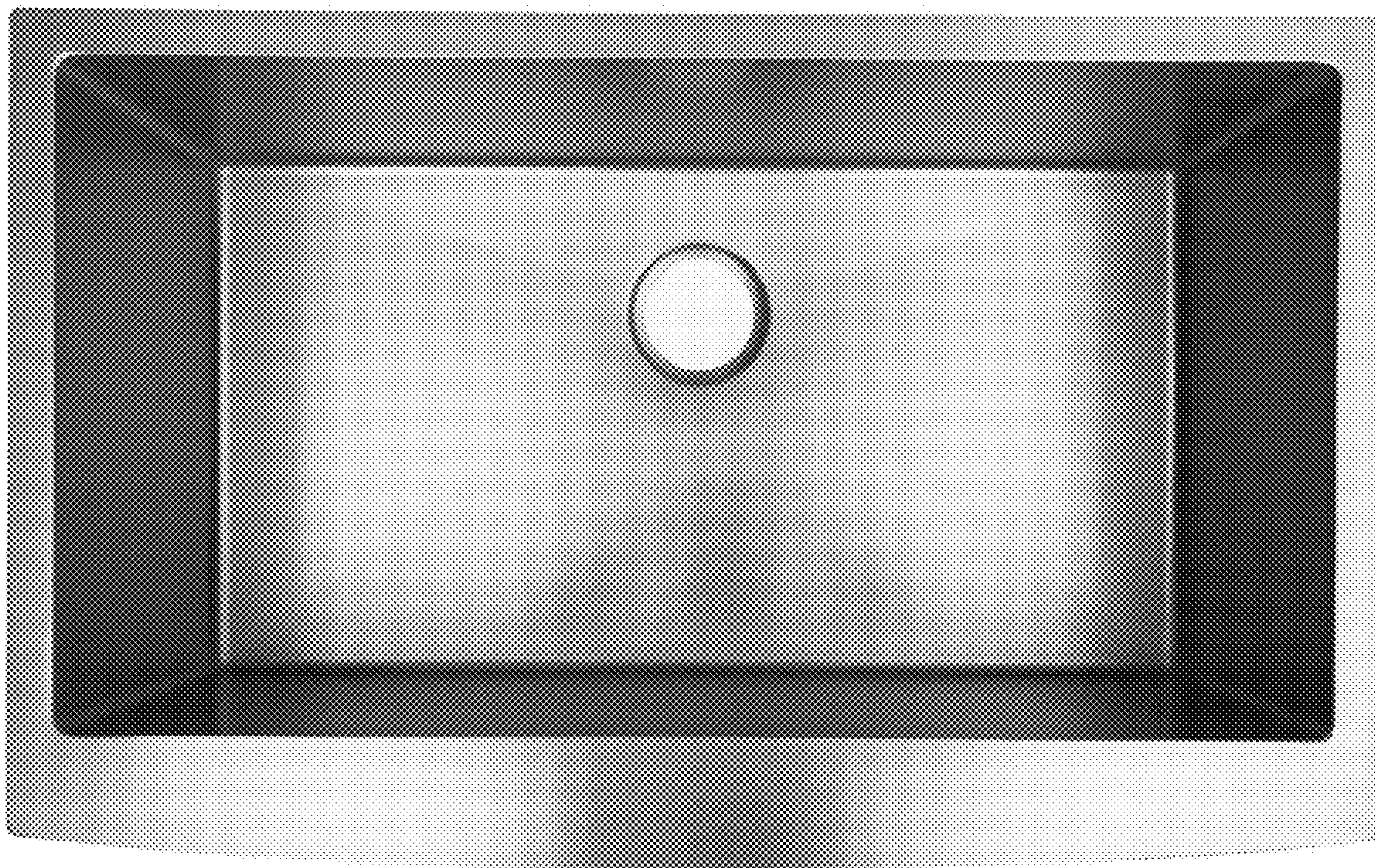


FIG. 19



FIG. 20

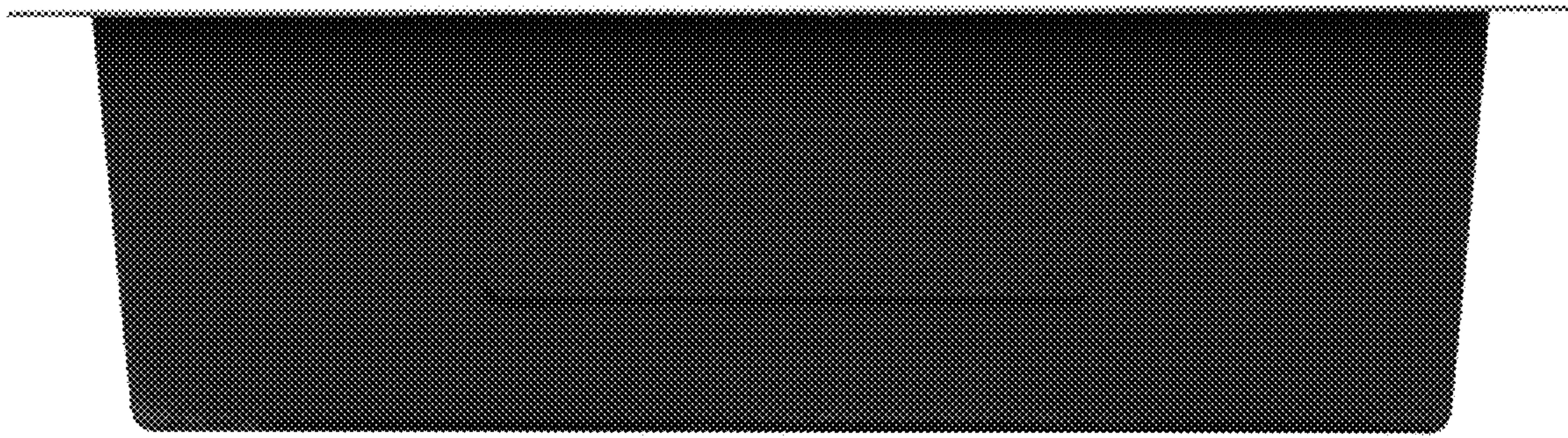


FIG. 21

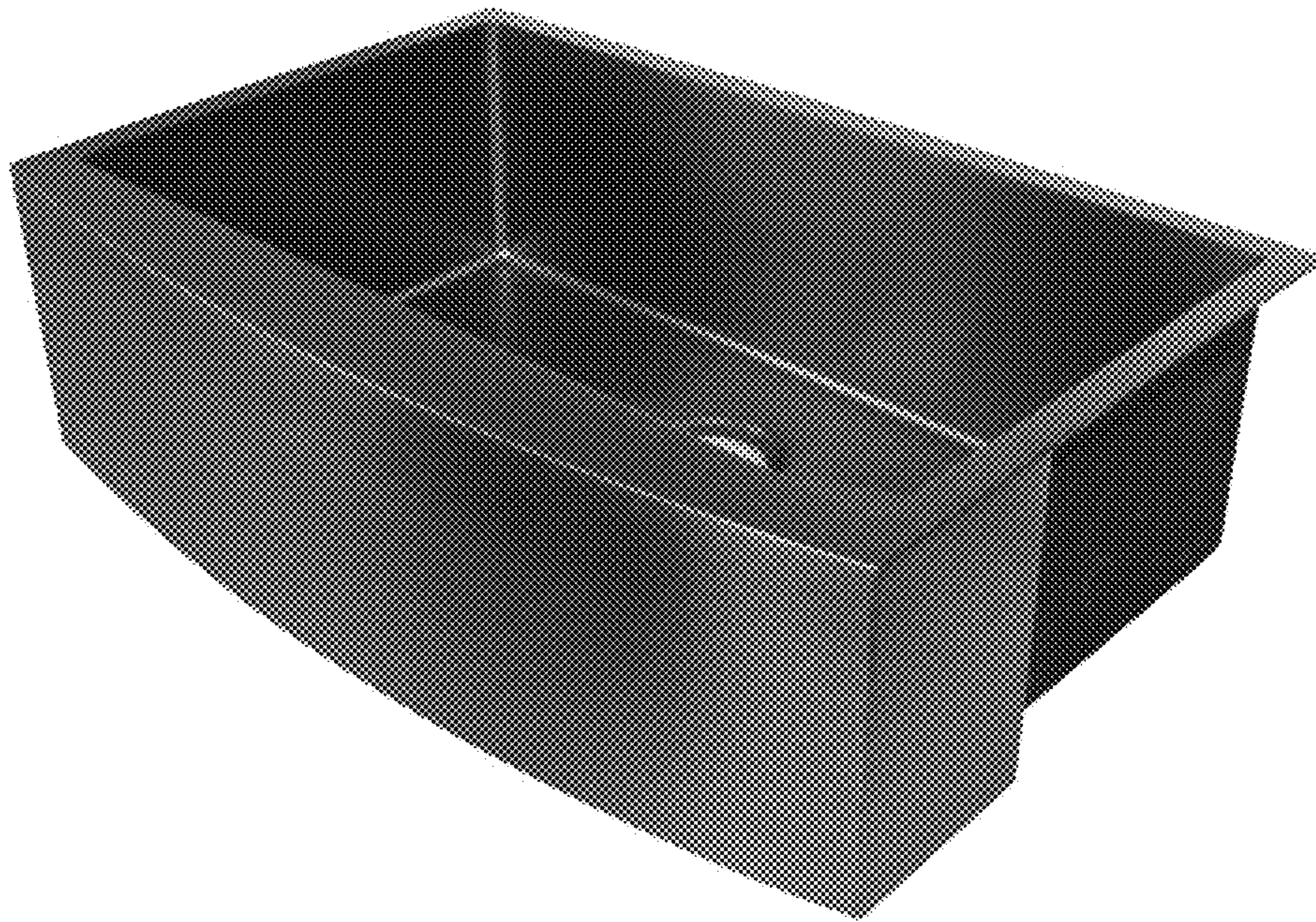


FIG. 22

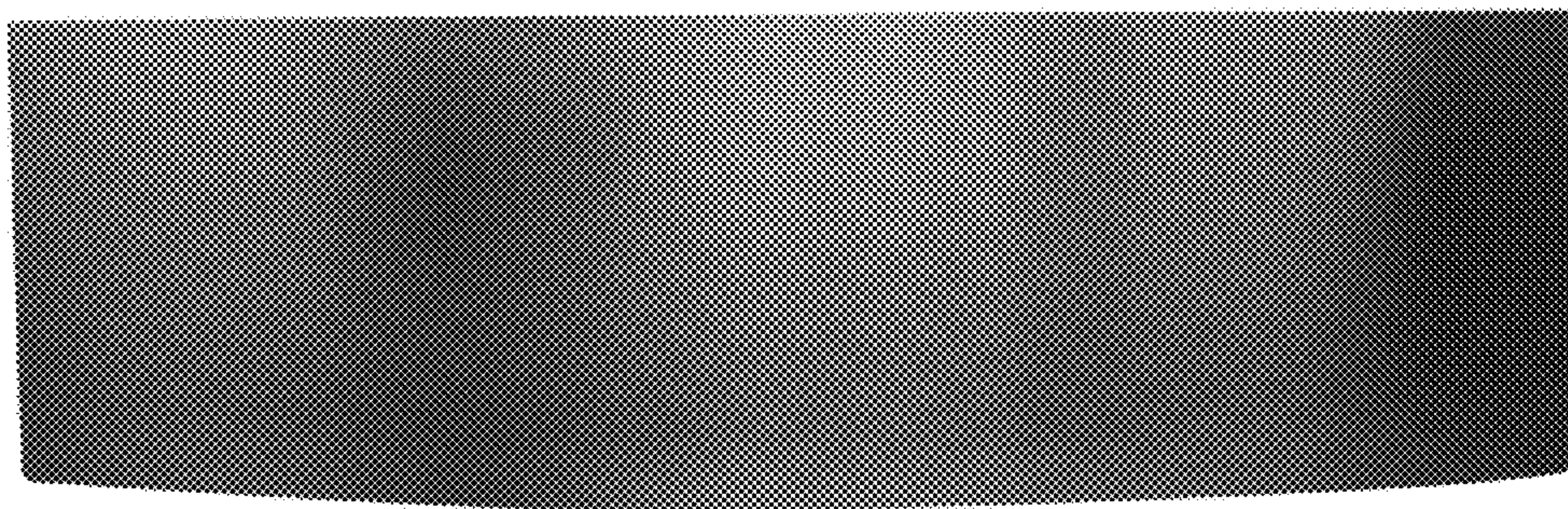


FIG. 23

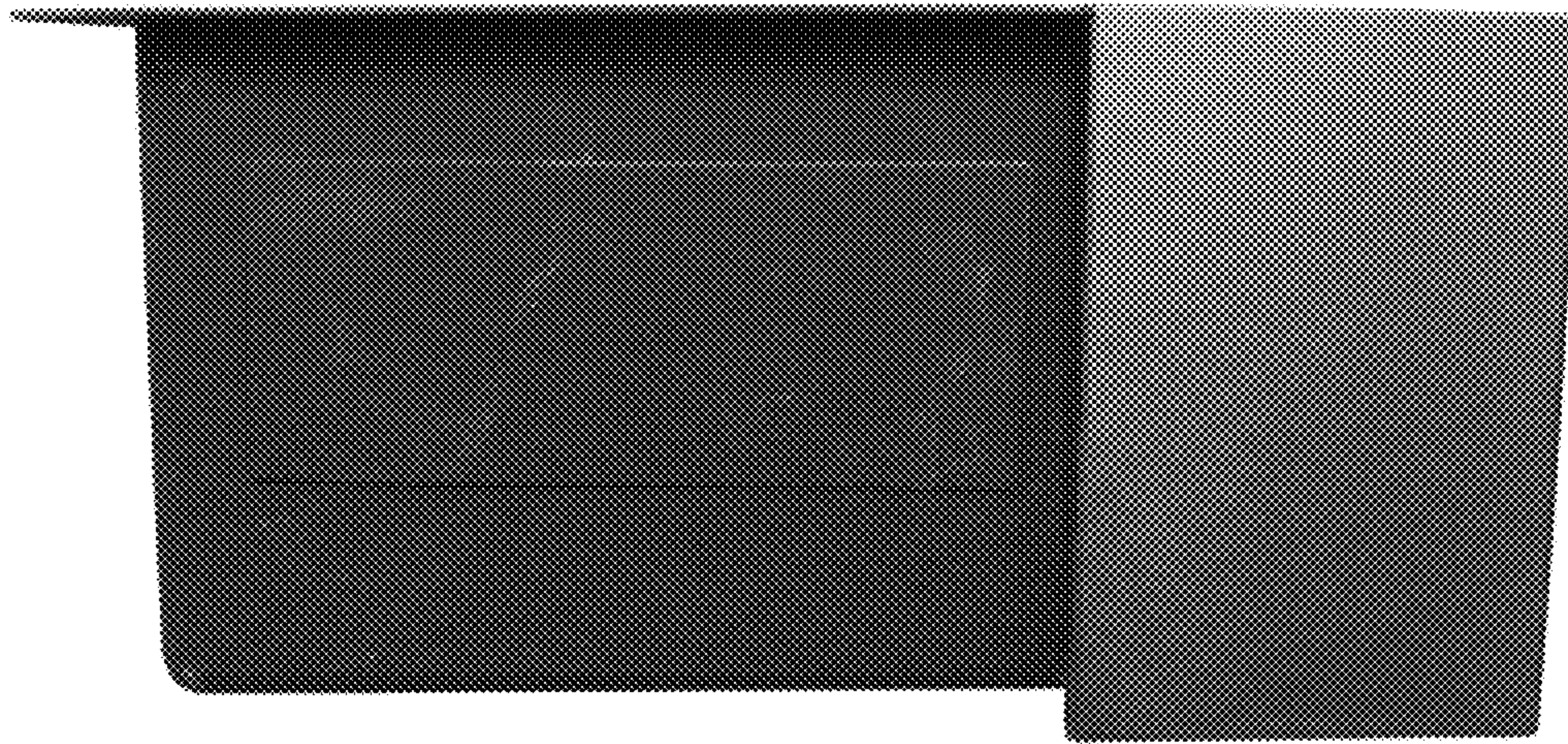


FIG. 24

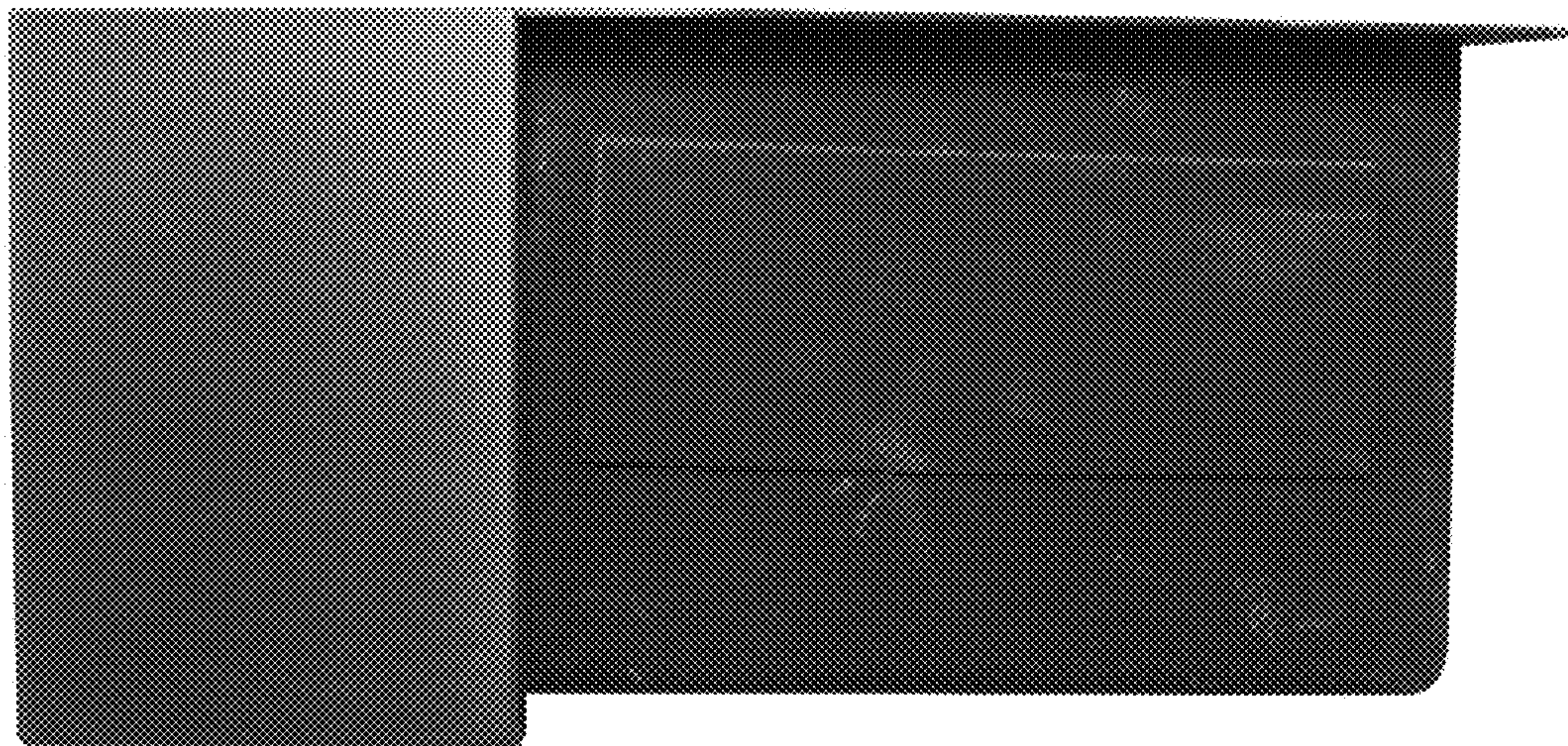


FIG. 25

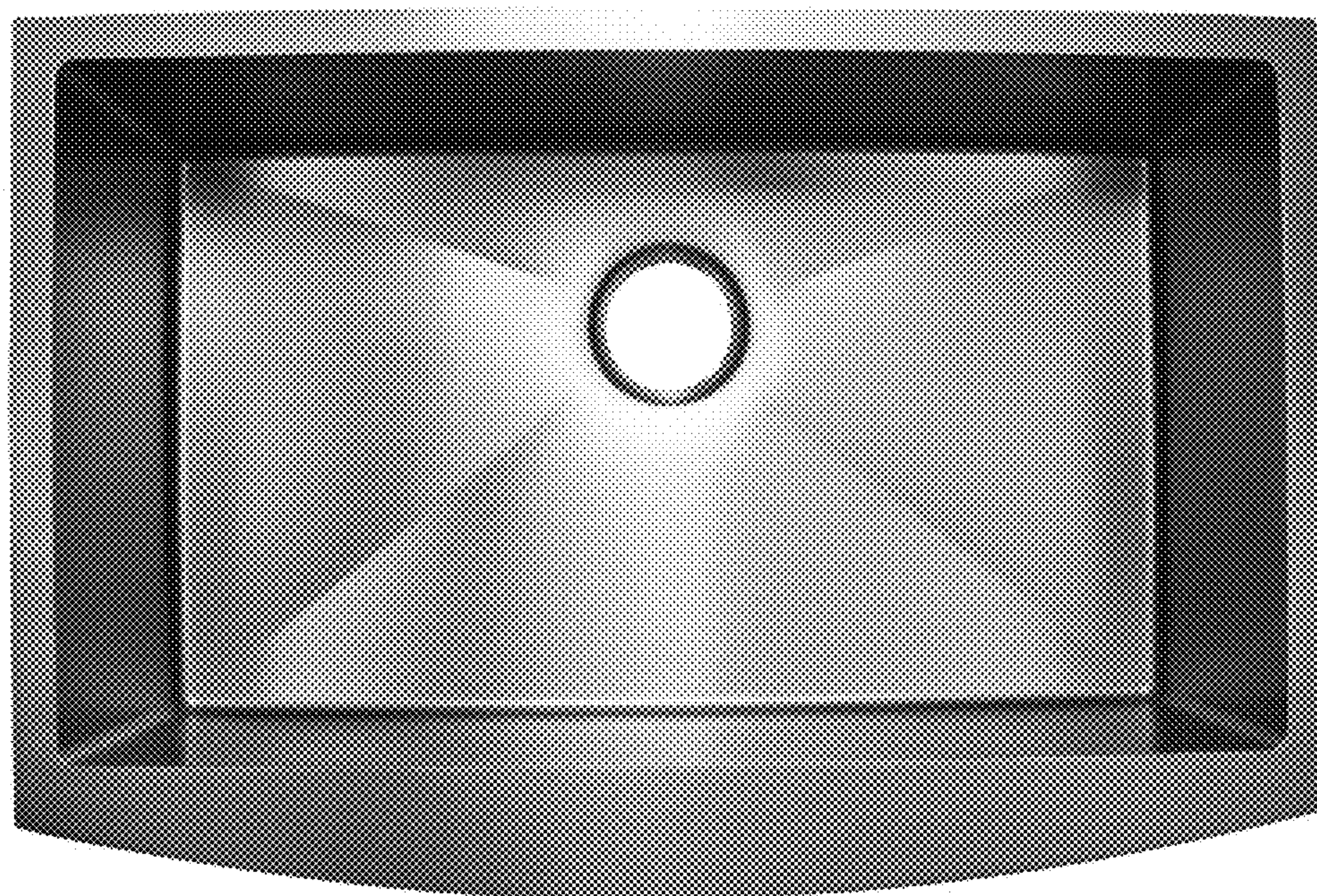


FIG. 26

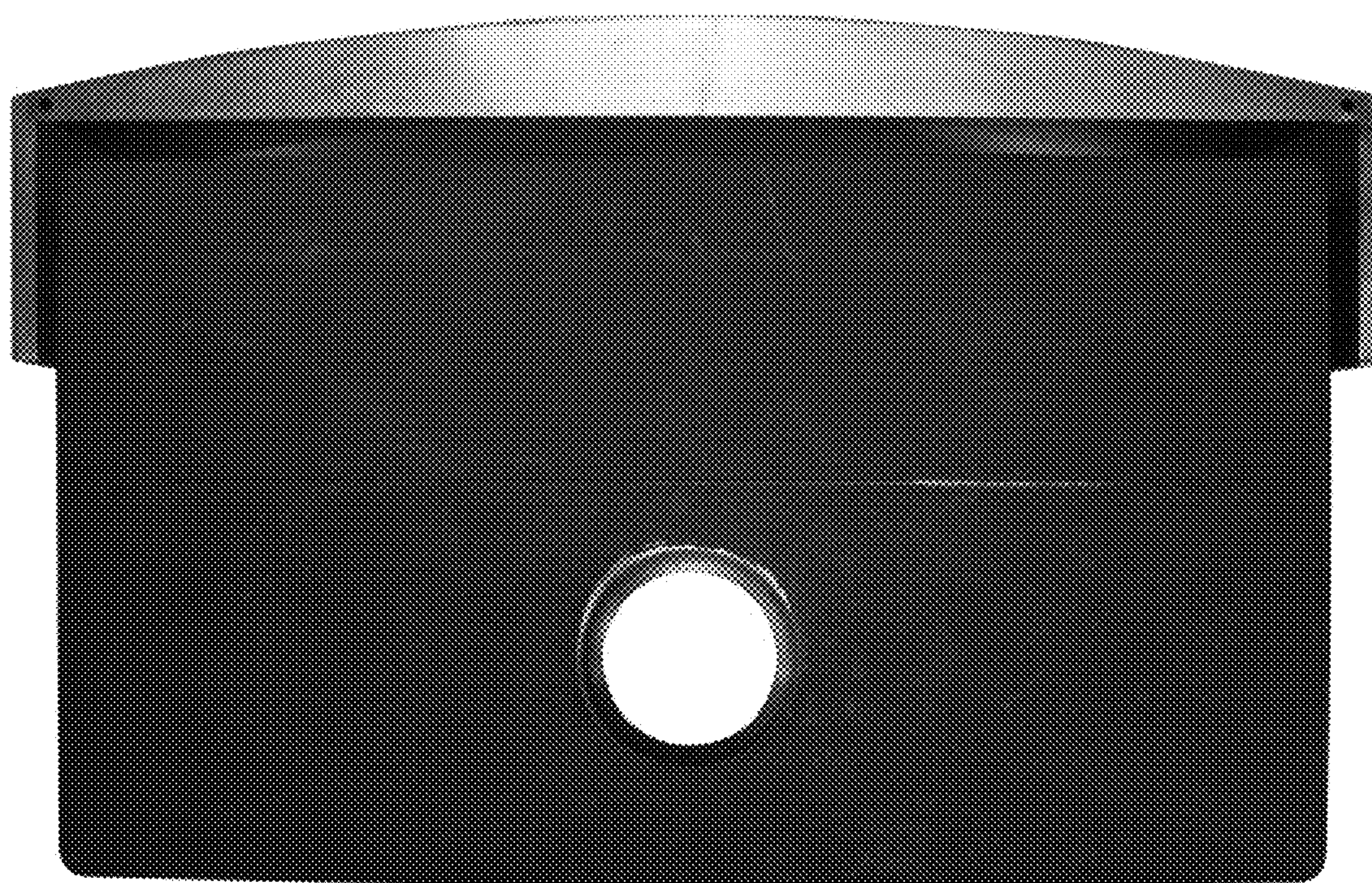


FIG. 27

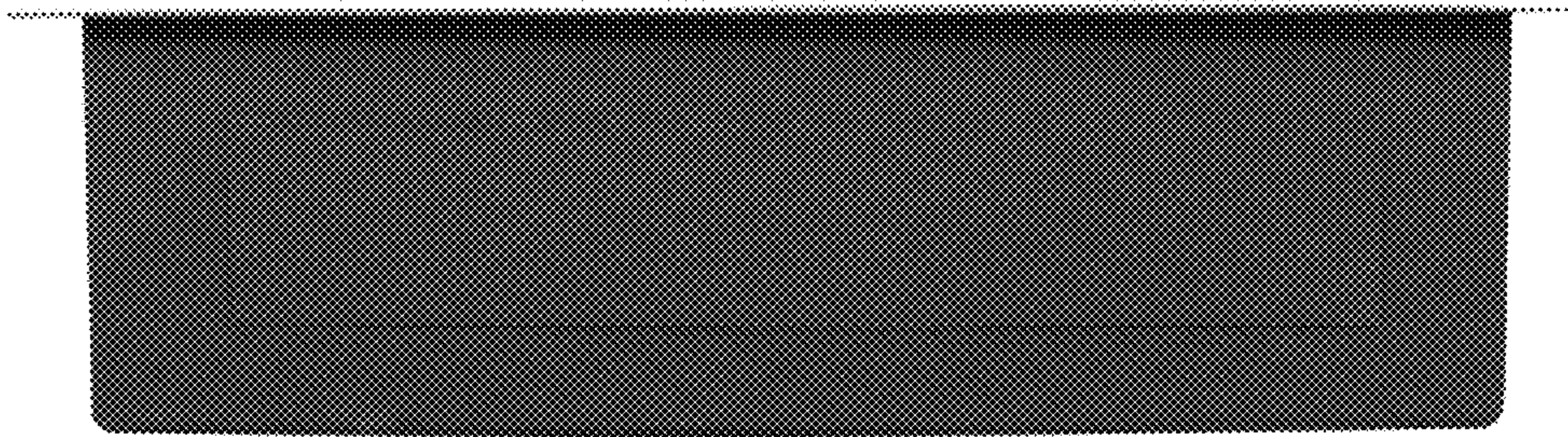


FIG. 28