



US00D926945S

(12) **United States Design Patent**
Mess et al.

(10) **Patent No.:** **US D926,945 S**

(45) **Date of Patent:** **** Aug. 3, 2021**

(54) **FLUID FLOW TUBE**

(71) Applicant: **Reliance Worldwide Corporation,**
Atlanta, GA (US)

(72) Inventors: **Francis McCarthy Mess,** Smyrna, GA
(US); **Jorge Carlos Almirall,** Acworth,
GA (US); **Alexander Neal Rycroft,**
Atlanta, GA (US); **Thimuthu**
Weragoda Vidanelage, Atlanta, GA
(US)

(73) Assignee: **Reliance Worldwide Corporation,**
Atlanta, GA (US)

(**) Term: **15 Years**

(21) Appl. No.: **29/747,418**

(22) Filed: **Aug. 21, 2020**

Related U.S. Application Data

(62) Division of application No. 29/635,692, filed on Feb.
1, 2018, now Pat. No. Des. 894,348.

(51) **LOC (13) Cl.** **23-01**

(52) **U.S. Cl.**
USPC **D23/266; D23/262**

(58) **Field of Classification Search**

USPC D23/233, 235, 248, 259, 262–266, 268;
137/614.04, 561 A; 251/149, 343;
138/37, 39, 44, 109; D24/108, 129;
285/242–243, 369, 125.1, 126.1, 127.2,
285/129.1, 130.1–131.1, 132.1, 148.1,
285/372–373, 417

CPC G10K 11/004; F16K 37/005; F16K 5/06
See application file for complete search history.

(56) **References Cited**

U.S. PATENT DOCUMENTS

463,281 A * 11/1891 Libbey F16L 9/003
285/399
2,320,008 A 5/1943 Price

3,392,921 A * 7/1968 Demaison B24C 5/04
239/589
3,873,391 A * 3/1975 Plauka B29C 66/301
156/258
4,070,044 A * 1/1978 Carrow B29C 66/7394
285/133.11

(Continued)

OTHER PUBLICATIONS

Final Office Action on U.S. Appl. No. 29/635,692 dated Feb. 10,
2020 (5 pages).

(Continued)

Primary Examiner — Amy C Wierenga

(74) *Attorney, Agent, or Firm* — Foley & Lardner LLP

(57) **CLAIM**

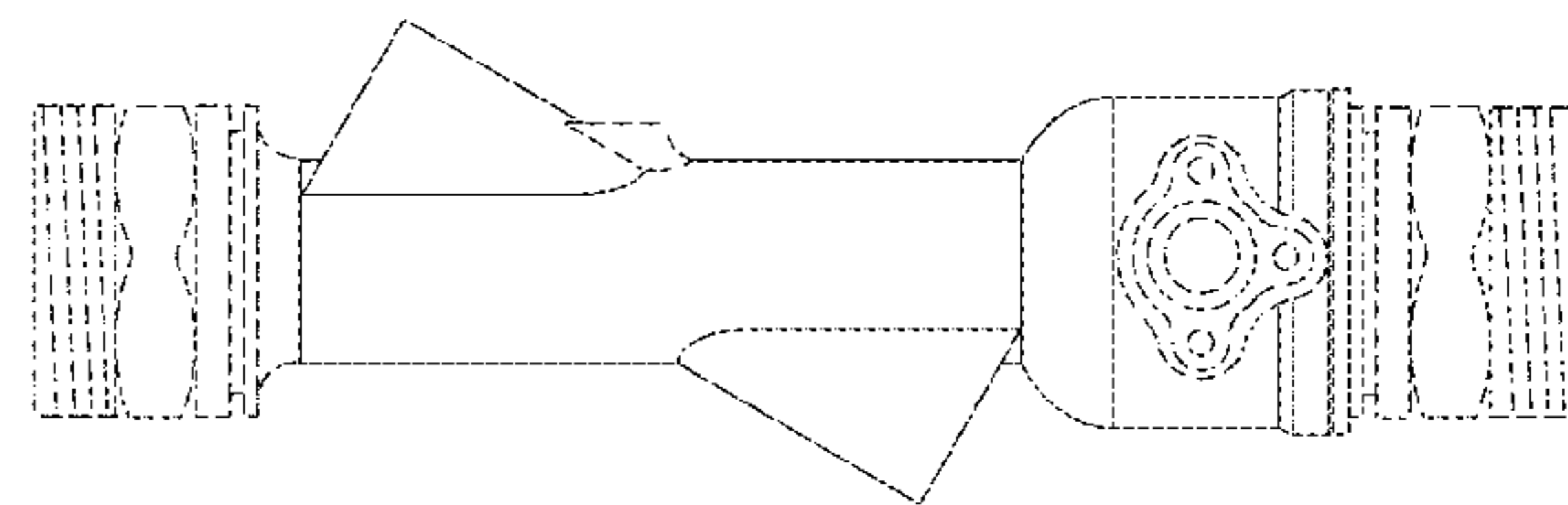
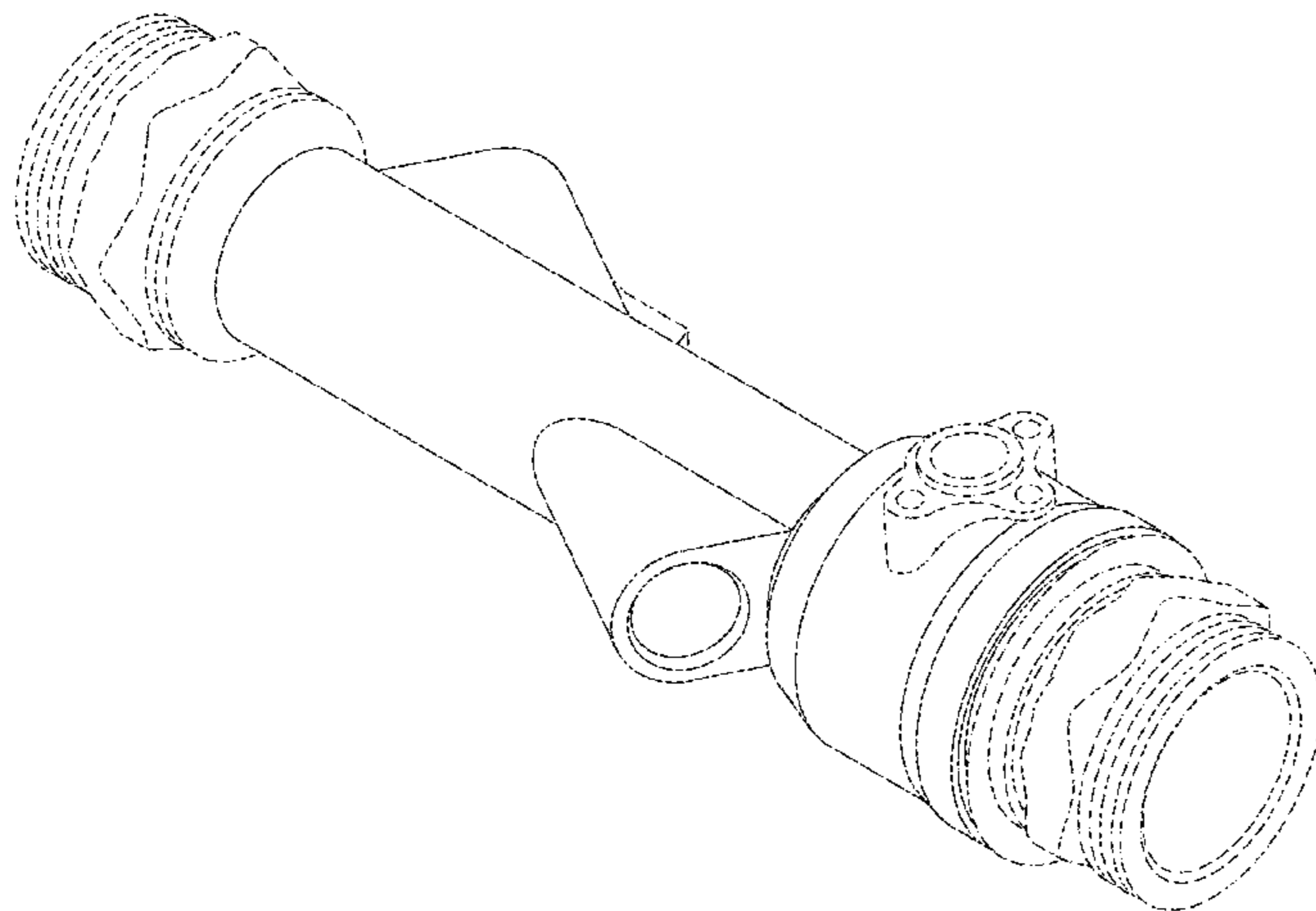
We claim the ornamental design for a fluid flow tube, as
shown and described.

DESCRIPTION

FIG. 1 depicts a front perspective view of the claimed design
of a fluid flow tube;
FIG. 2 depicts a top view of the fluid flow tube of FIG. 1;
FIG. 3 depicts a left side view of the fluid flow tube of FIG.
1;
FIG. 4 depicts a right side view of the fluid flow tube of FIG.
1;
FIG. 5 depicts a rear end view of the fluid flow tube of FIG.
1;
FIG. 6 depicts a front end view of the fluid flow tube of FIG.
1; and,
FIG. 7 depicts a bottom view of the fluid flow tube of FIG.
1.

The dashed broken lines in the drawings depict portions of
the article and environment that form no part of the claim.

1 Claim, 3 Drawing Sheets



(56)

References Cited

U.S. PATENT DOCUMENTS

D347,271 S 5/1994 Inda et al.
 5,971,035 A * 10/1999 Griffioen G02B 6/4464
 138/155
 6,086,114 A 7/2000 Ziu
 D435,637 S * 12/2000 Wales D23/263
 D454,940 S * 3/2002 Hoenig D23/259
 6,619,697 B2 9/2003 Griffioen et al.
 D590,481 S 4/2009 Stimpson
 7,909,056 B2 * 3/2011 Truitt F16K 15/142
 137/512
 D770,599 S 11/2016 Daughters
 D770,600 S * 11/2016 Daughters D23/263
 D771,223 S 11/2016 Rycroft
 D828,517 S 9/2018 Breault
 D838,845 S * 1/2019 Sinharay D24/129
 2007/0119974 A1 5/2007 Johnson
 2011/0072910 A1 * 3/2011 Hueftle F02D 41/18
 73/861.28
 2019/0234528 A1 * 8/2019 Mess G01F 1/662
 2019/0234781 A1 * 8/2019 Mess G10K 11/004

OTHER PUBLICATIONS

Foreign Action other than Search Report on CA Appl. Ser. No. 182823 dated Apr. 11, 2019 (2 pages).
 Foreign Action other than Search Report on EU Appl. Ser. Nos. 005520418-0001 through 05520418-0005 dated Aug. 14, 2018 (4 pages).
 Foreign Action other than Search Report on MX Appl. Ser. No. MX/f/2018/002241 dated Feb. 17, 2020 (2 pages) (English Translation).
 Non-Final Office Action on U.S. Appl. No. 29/635,692 dated Aug. 8, 2019 (9 pages).
 Notice of Allowance on U.S. Appl. No. 29/635,692 dated Apr. 22, 2020 (6 pages).
 U.S. Office Action on U.S. Appl. No. 29/635,692 dated Apr. 19, 2019 (6 pages).
 * cited by examiner

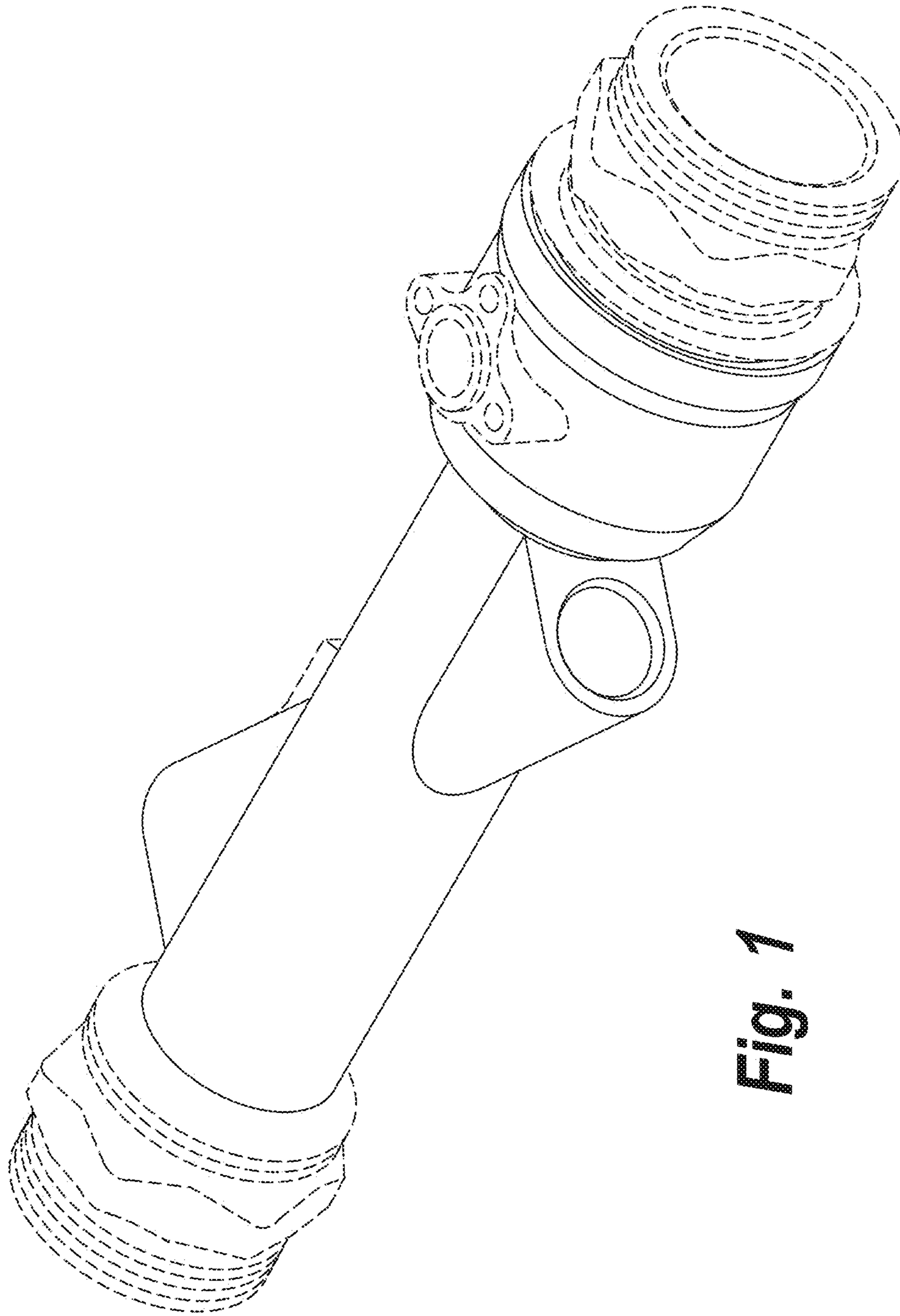


Fig. 1

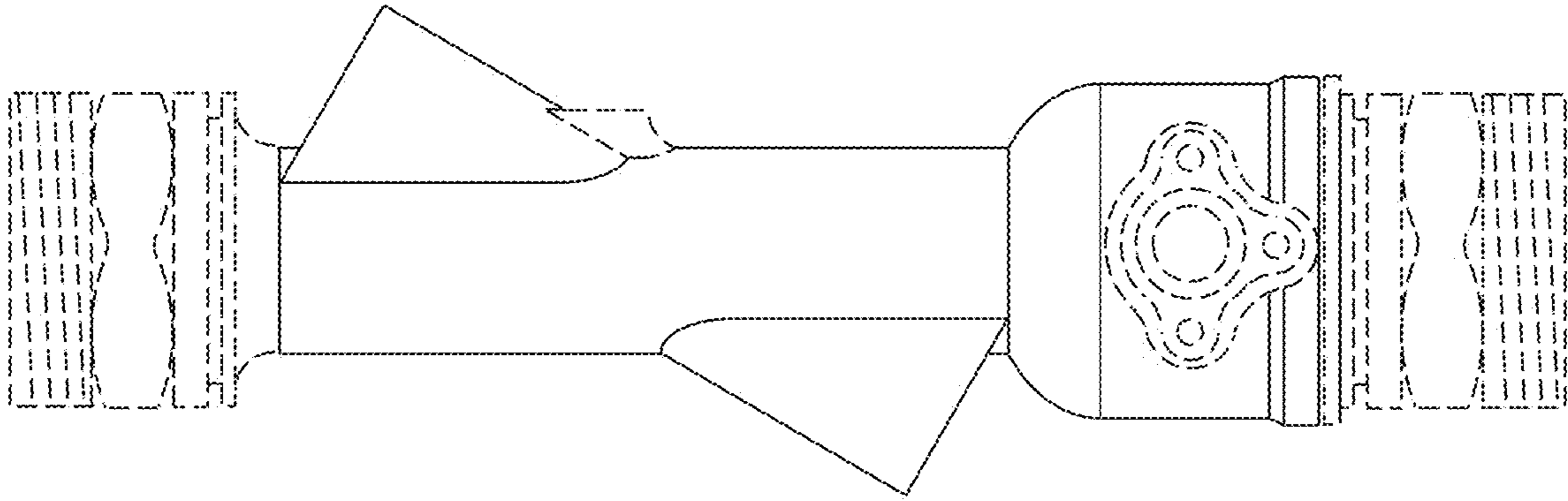


Fig. 2

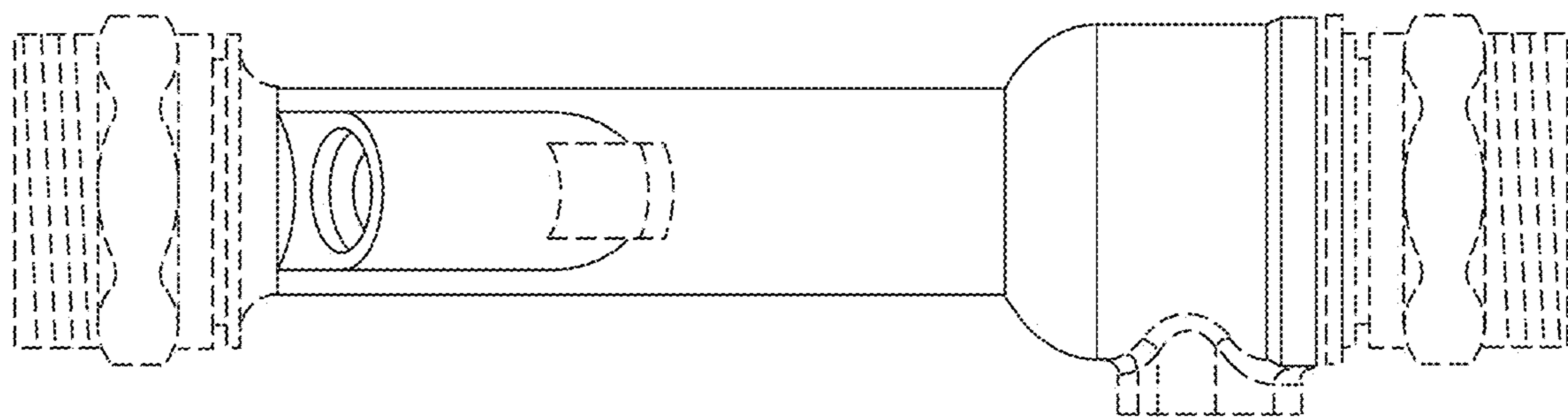


Fig. 3

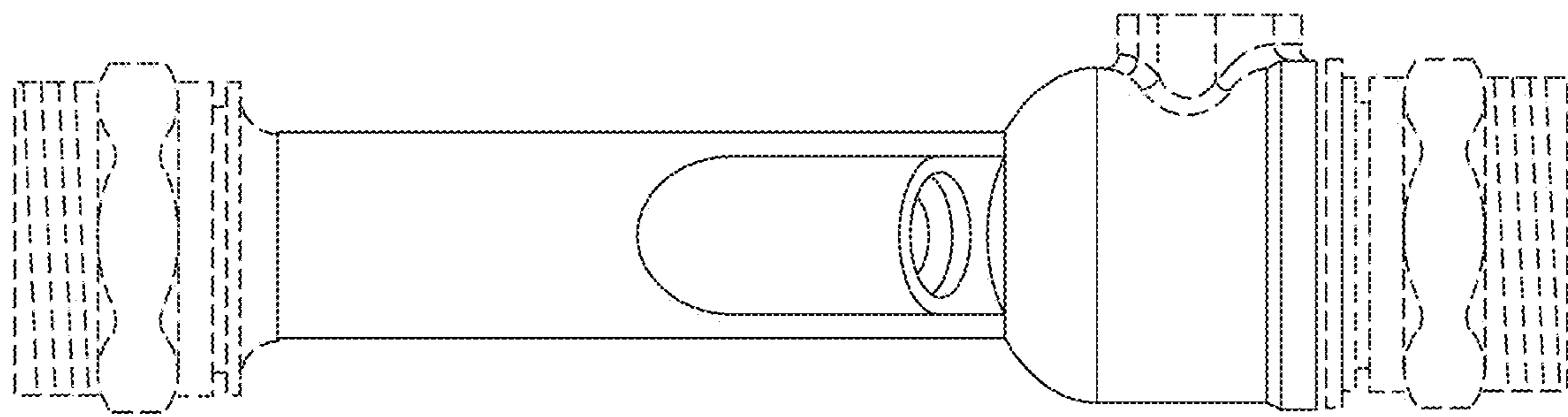


Fig. 4

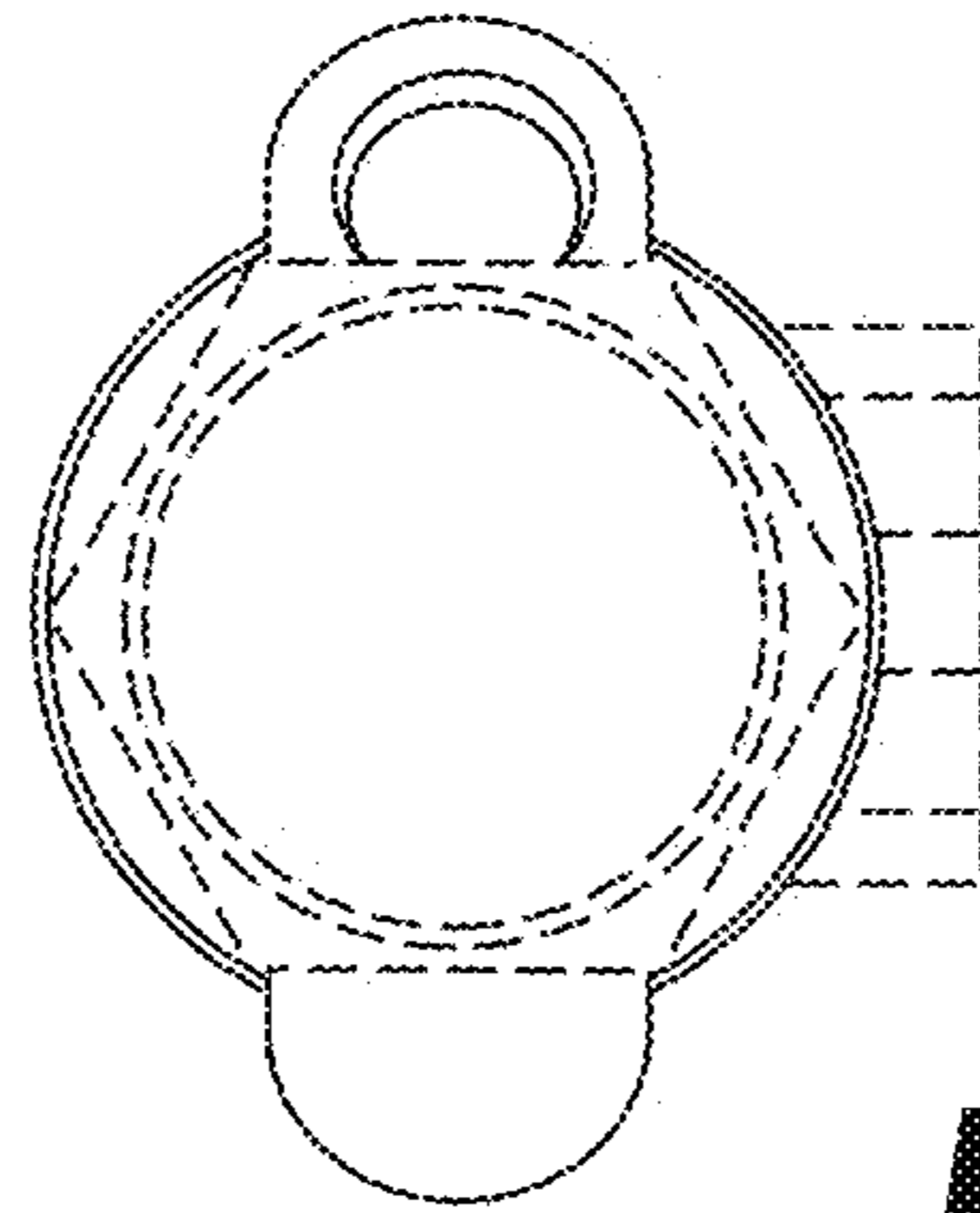


Fig. 5

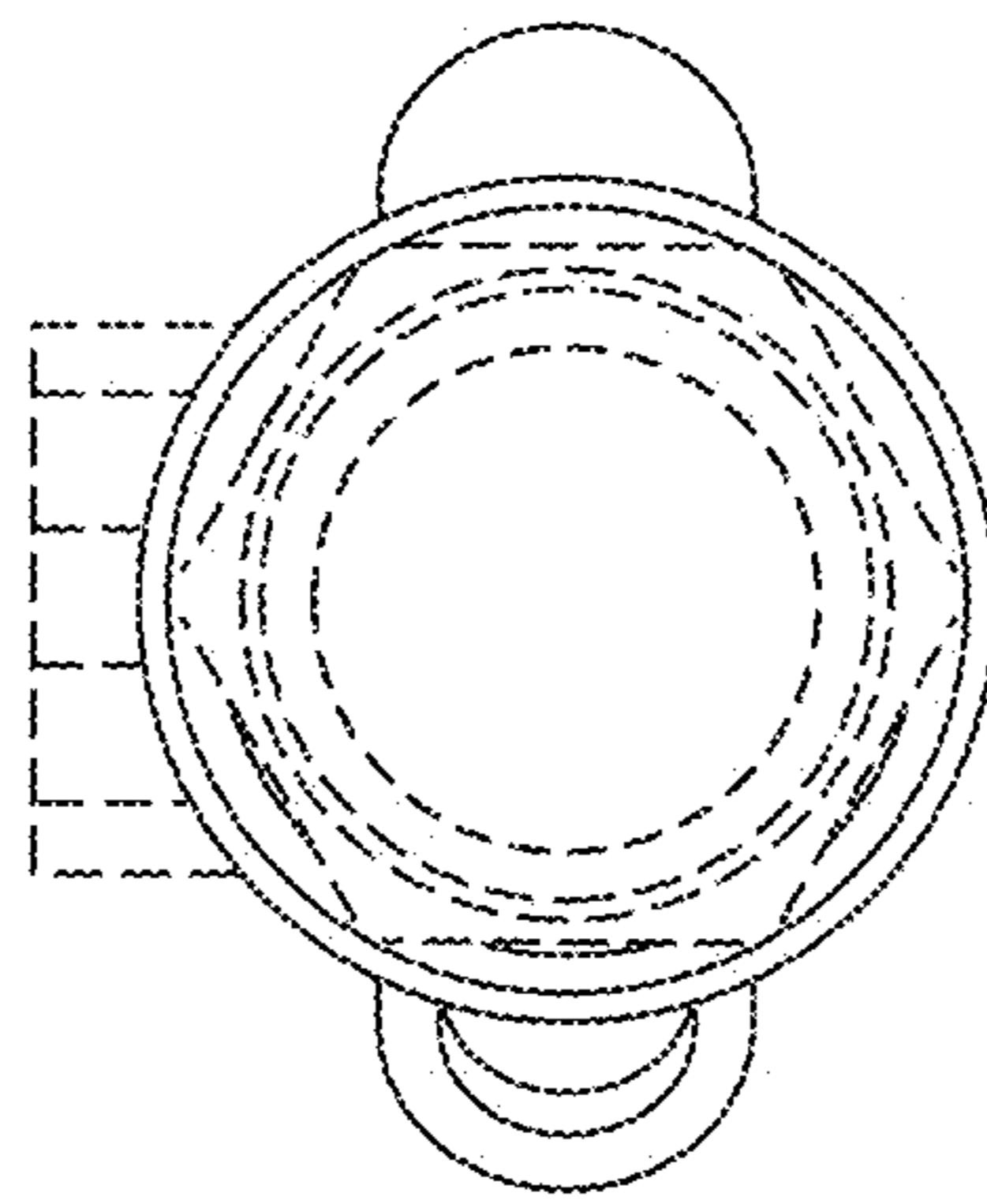


Fig. 6

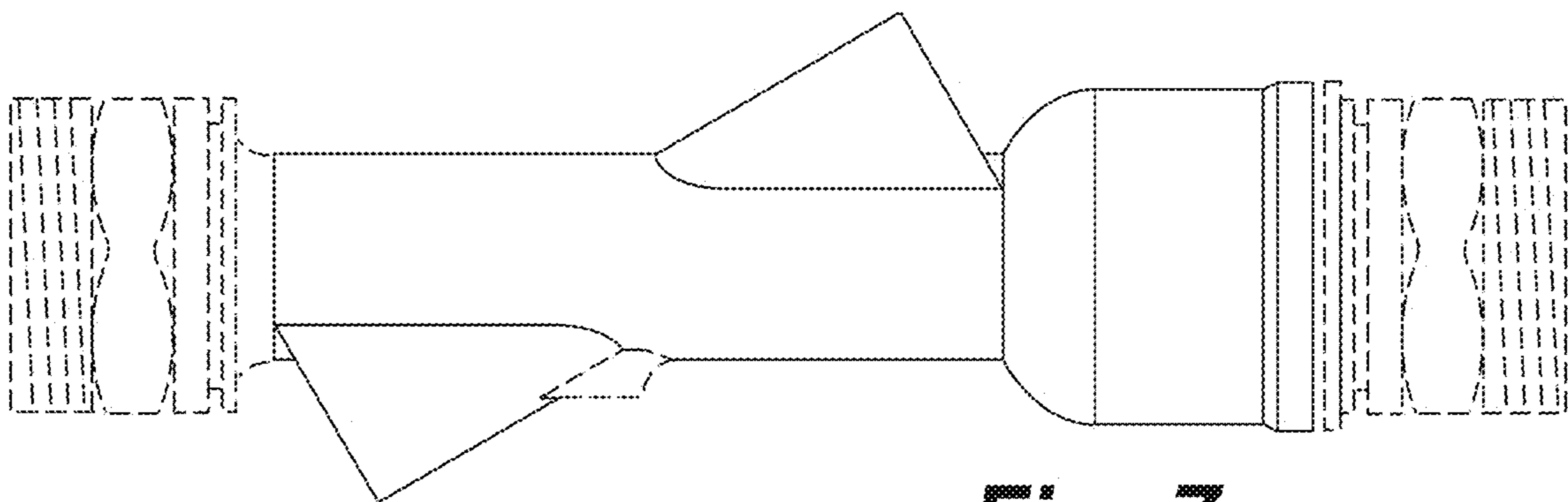


Fig. 7