



US00D926943S

(12) **United States Design Patent** (10) **Patent No.:** **US D926,943 S**
Mezzalira (45) **Date of Patent:** **** Aug. 3, 2021**

(54) **HOSE COUPLING ASSEMBLY**

- (71) Applicant: **Fitt S.p.A.**, Vicenza (IT)
- (72) Inventor: **Alessandro Mezzalira**, Vicenza (IT)
- (73) Assignee: **Fitt S.p.A.**, Sandrigo (IT)
- (**) Term: **15 Years**
- (21) Appl. No.: **29/709,137**
- (22) Filed: **Oct. 11, 2019**
- (51) **LOC (13) Cl.** **23-01**
- (52) **U.S. Cl.**
USPC **D23/262**
- (58) **Field of Classification Search**
USPC D23/259, 262-266, 245, 213, 233, 235;
285/197-200; 137/315.23, 798;
(Continued)

(56) **References Cited**

U.S. PATENT DOCUMENTS

- 4,091,497 A * 5/1978 Bade B25G 1/10
16/430
- 4,099,748 A 7/1978 Kavick
(Continued)

OTHER PUBLICATIONS

FITT Force Pro, The Hose Anti-Kink, Fitt USA website (www.fitt-usa.com/fitt-flow), date obtained Nov. 10, 2019, 4 pages.
(Continued)

Primary Examiner — Amy C Wierenga
(74) *Attorney, Agent, or Firm* — Kilyk & Bowersox, P.L.L.C.

(57) **CLAIM**

The ornamental design for a hose coupling assembly, as shown and described.

DESCRIPTION

FIG. 1 is a top perspective view of a hose coupling assembly of the present invention, showing a hose sleeve and a hose nut of the hose coupling assembly, assembled together;

FIG. 2 is a front view of the assembled hose coupling assembly shown in FIG. 1;
 FIG. 3 is a rear view of the assembled hose coupling assembly shown in FIGS. 1 and 2;
 FIG. 4 is a right-side view of the assembled hose coupling assembly shown in FIGS. 1-3;
 FIG. 5 is a left-side view of the assembled hose coupling assembly shown in FIGS. 1-4;
 FIG. 6 is a bottom view of the assembled hose coupling assembly shown in FIGS. 1-5;
 FIG. 7 is a top view of the assembled hose coupling assembly shown in FIGS. 1-6;
 FIG. 8 is a cross-sectional view taken along line 8-8 in FIG. 7;
 FIG. 9 is an exploded, top perspective view of the hose coupling assembly shown in FIGS. 1-8, wherein the hose sleeve and the hose nut of the hose coupling assembly are disassembled;
 FIG. 10 is a top perspective view of the hose sleeve of the hose coupling assembly shown in FIGS. 1-9, disassembled from the hose nut (not shown);
 FIG. 11 is a front view of the hose sleeve shown in FIG. 10;
 FIG. 12 is a rear view of the hose sleeve shown in FIGS. 10 and 11;
 FIG. 13 is a right-side view of the hose sleeve shown in FIGS. 10-12;
 FIG. 14 is a left-side view of the hose sleeve shown in FIGS. 10-13;
 FIG. 15 is a bottom view of the hose sleeve shown in FIGS. 10-14;
 FIG. 16 is a top view of the hose sleeve shown in FIGS. 10-15;
 FIG. 17 is a cross-sectional view taken along line 17-17 in FIG. 16;
 FIG. 18 is a bottom perspective view of the hose nut of the hose coupling assembly shown in FIGS. 1-9, disassembled from the hose sleeve (not shown);
 FIG. 19 is a front view of the hose nut shown in FIG. 18, with the rear view being a mirror image;
 FIG. 20 is a bottom view of the hose nut shown in FIGS. 18 and 19;
 FIG. 21 is a top view of the hose nut shown in FIGS. 18-20;
 and,

(Continued)

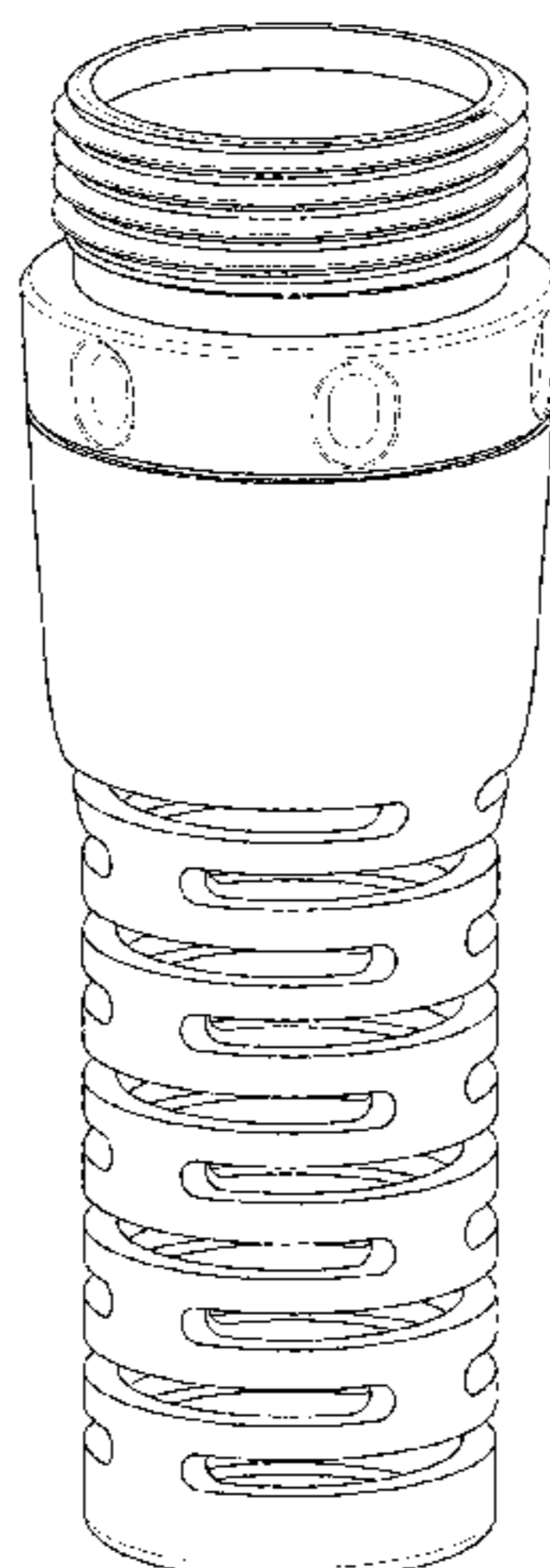


FIG. 22 is a cross-sectional view taken along line 22-22 in FIG. 20.

1 Claim, 18 Drawing Sheets

(58) **Field of Classification Search**

USPC 138/109–110, 155, 96 T; D13/133, 151;
D8/382, 396
CPC F16L 37/252; F16L 43/00
See application file for complete search history.

(56) **References Cited**

U.S. PATENT DOCUMENTS

5,797,633 A * 8/1998 Katzer F16L 33/222
285/243
6,199,913 B1 * 3/2001 Wang F16L 37/0985
285/24
D440,605 S * 4/2001 Izushima D19/203
D449,465 S 10/2001 Tabbia
6,494,496 B1 * 12/2002 Sweeney F16L 35/00
138/110
D500,475 S 1/2005 Noro et al.
D501,539 S 2/2005 Dyer, III
D593,186 S 5/2009 van der Meijden et al.
D613,373 S * 4/2010 Zore D23/233
D614,270 S * 4/2010 Green D23/266
D616,969 S 6/2010 Zore
7,857,008 B2 * 12/2010 Chen A61M 25/09
138/109
8,181,997 B2 * 5/2012 Wang F16L 37/0985
285/314

D665,481 S 8/2012 Bloink et al.
D707,334 S 6/2014 Hernandez et al.
D716,419 S * 10/2014 Hernandez D23/259
D719,646 S 12/2014 Melo
D719,647 S 12/2014 Melo
D723,670 S 3/2015 Lorraine
D725,749 S 3/2015 Mezzalira et al.
9,249,912 B2 2/2016 Flynn
9,261,213 B2 * 2/2016 Mager F16L 33/2076
D822,800 S * 7/2018 Naslund D23/262
D833,585 S 11/2018 Khubani
D854,128 S 7/2019 Norton et al.
D863,021 S 10/2019 Papafagos
D881,356 S 4/2020 Mezzalira
D898,881 S * 10/2020 Chapman D23/266
2007/0113912 A1 5/2007 Lawrence
2010/0295292 A1 * 11/2010 Wang F16L 33/224
285/24
2014/0246851 A1 9/2014 Mager et al.
2014/0338178 A1 * 11/2014 Lehmann F16L 33/20
29/450
2014/0361531 A1 * 12/2014 Siders F16L 35/00
285/114
2015/0226356 A1 * 8/2015 Kury F16L 33/207
285/256
2017/0146168 A1 5/2017 Caprio et al.
2017/0211735 A1 * 7/2017 Papafagos F16L 35/00
2017/0363236 A1 12/2017 Rose et al.
2018/0224038 A1 * 8/2018 Lorraine F16L 35/00

OTHER PUBLICATIONS

FITT Force Pro, The Hose Couplings, Fitt USA website (www.fitt-usa.com/fitt-flow), date obtained Nov. 10, 2019, 3 pages.

* cited by examiner

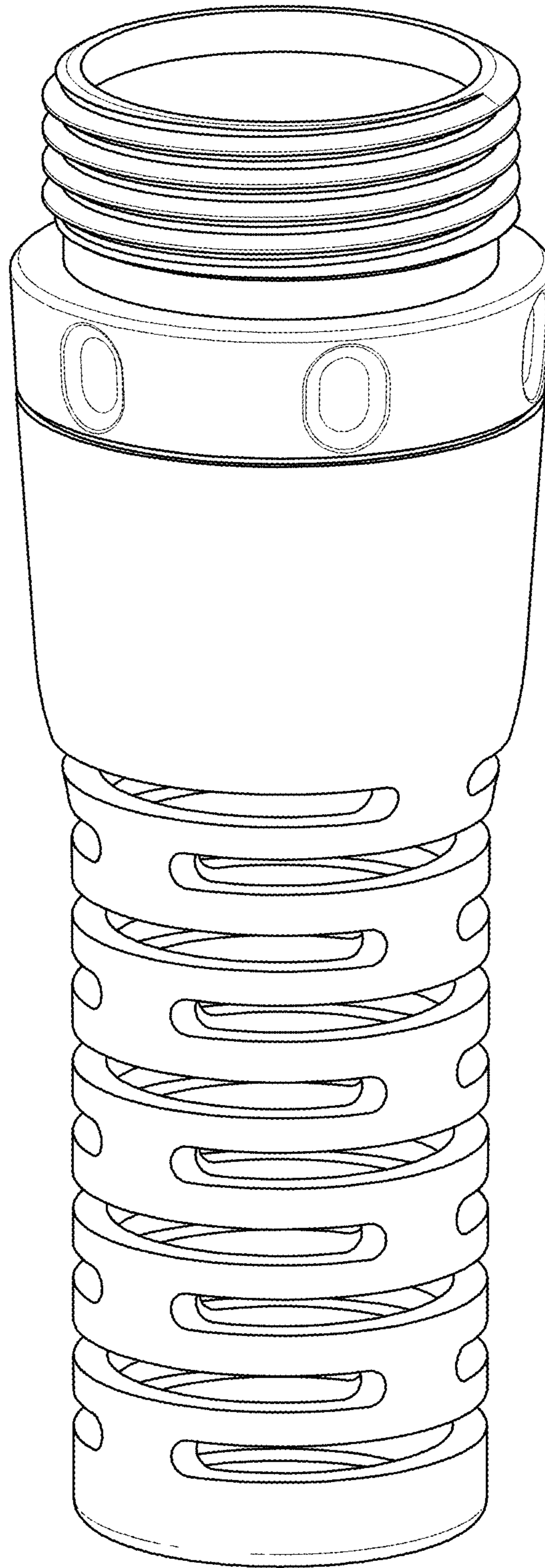


FIG. 1

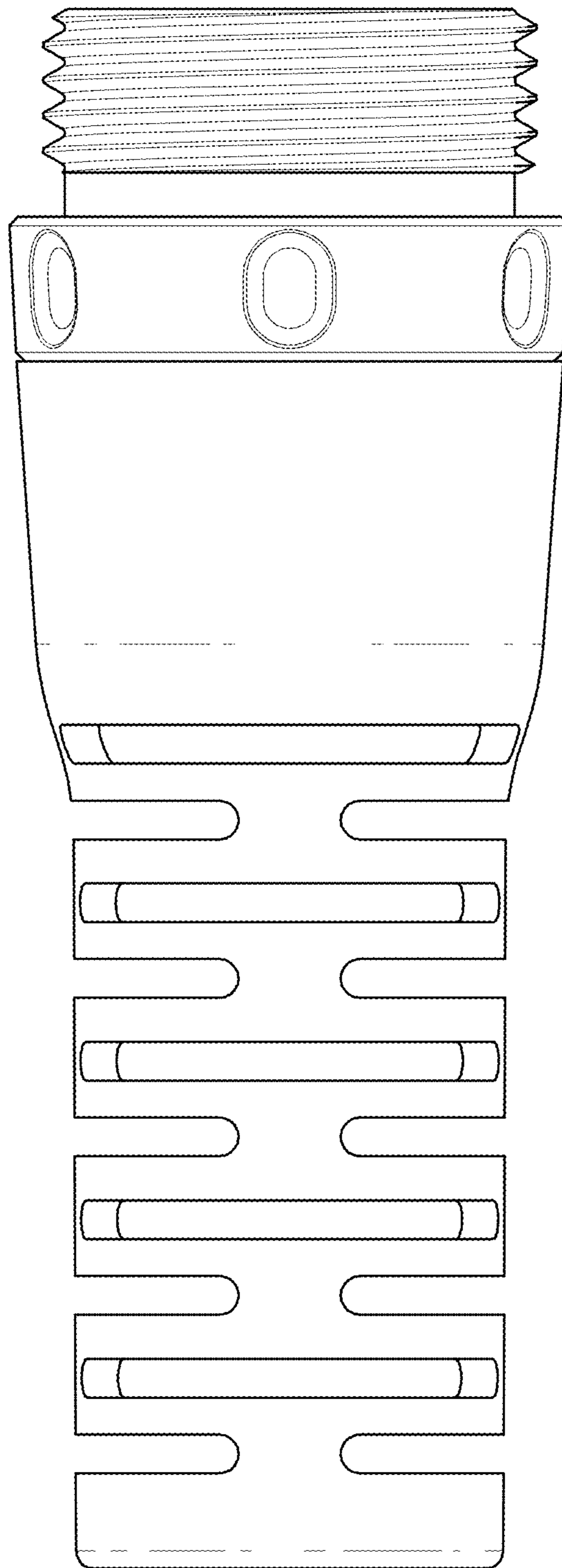


FIG. 2

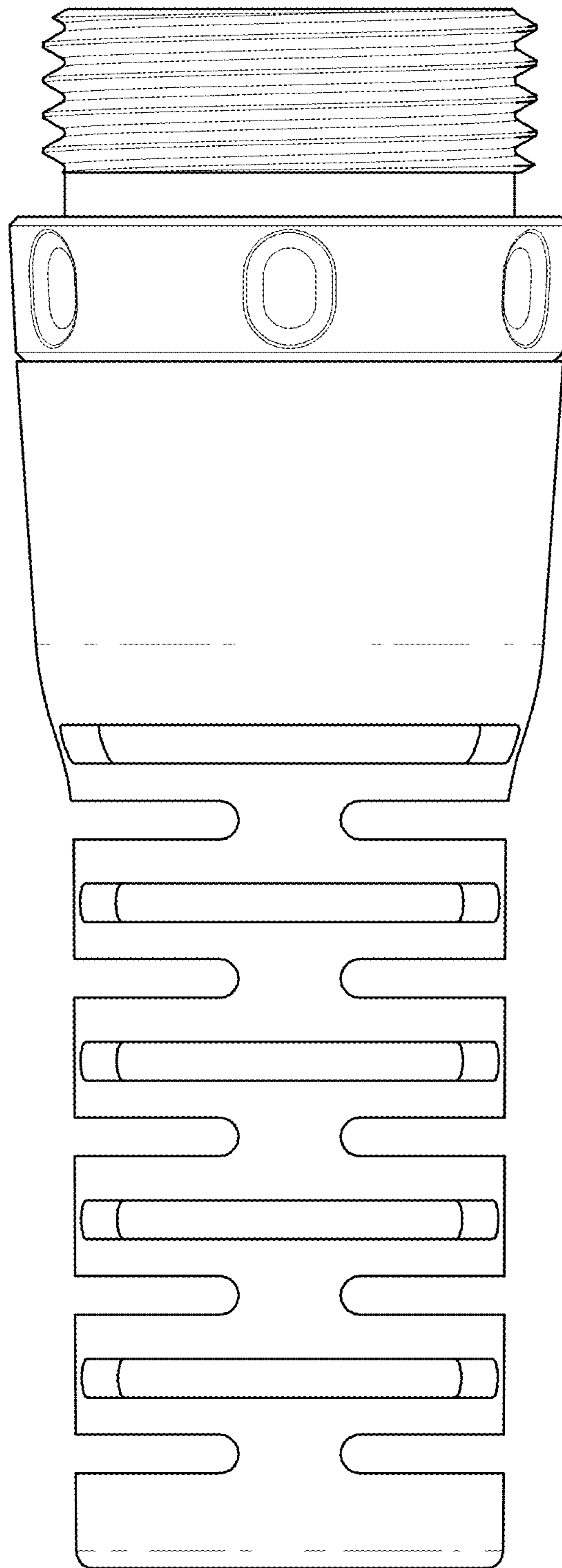


FIG. 3

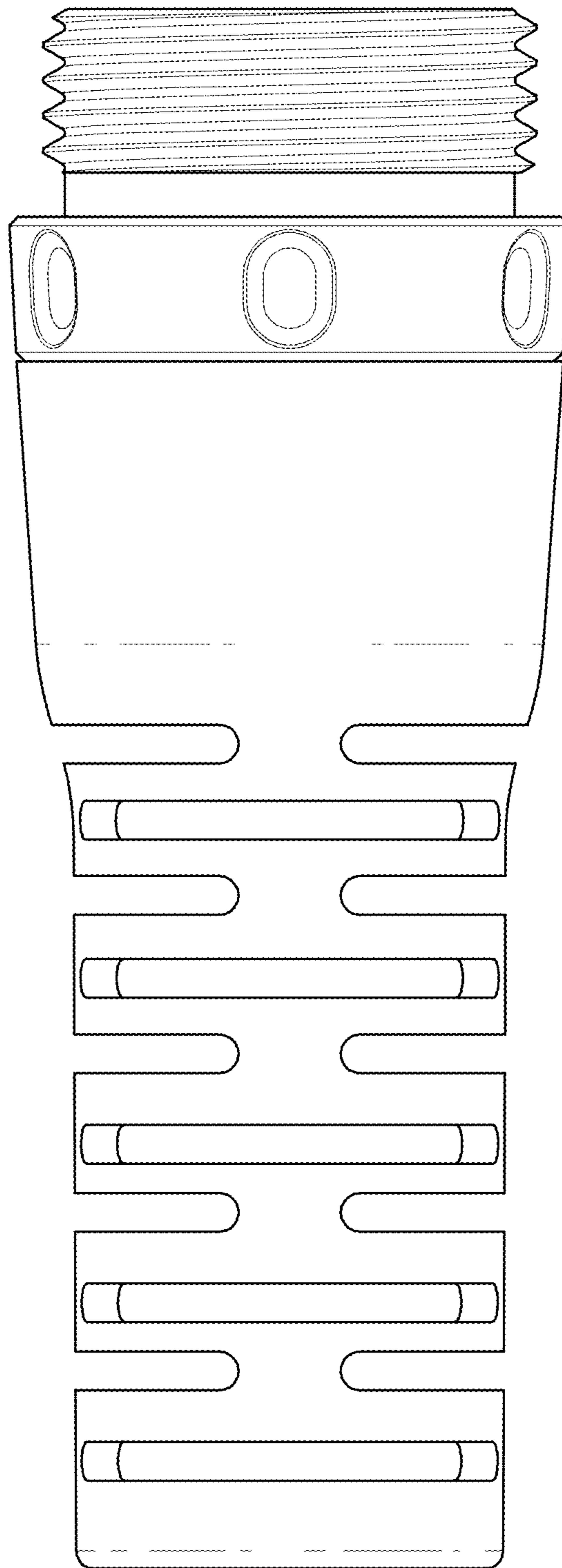


FIG. 4

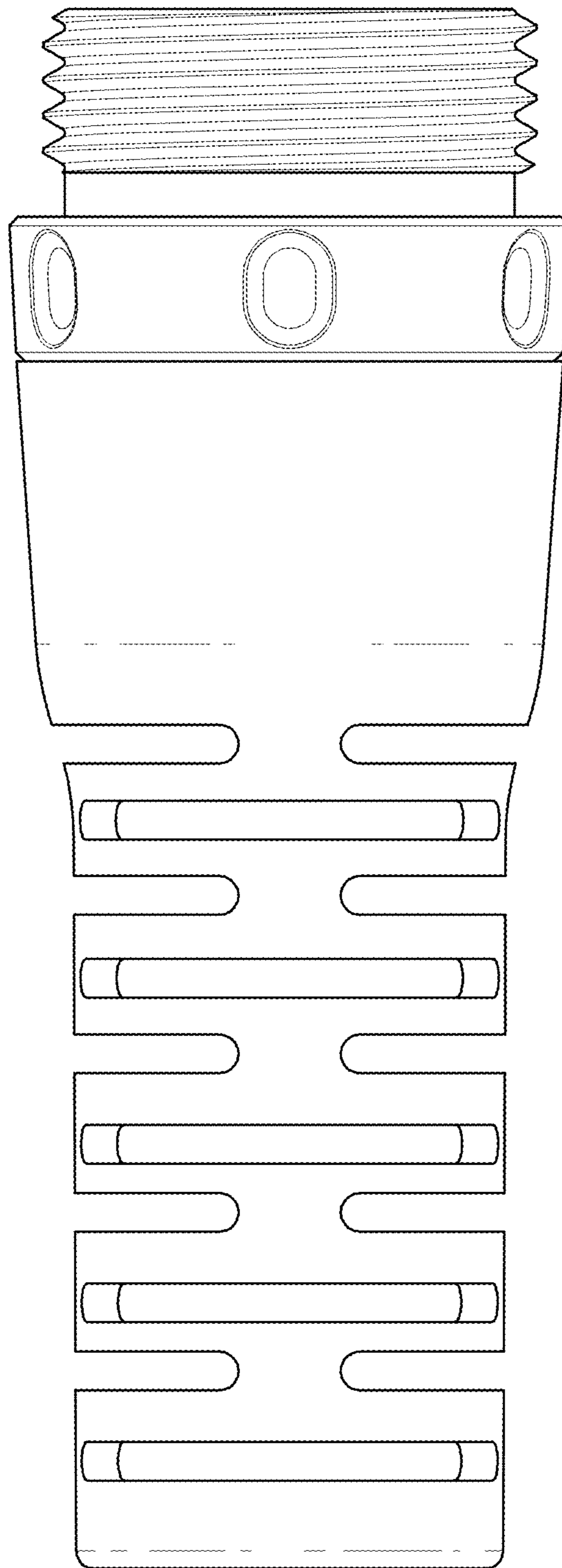


FIG. 5

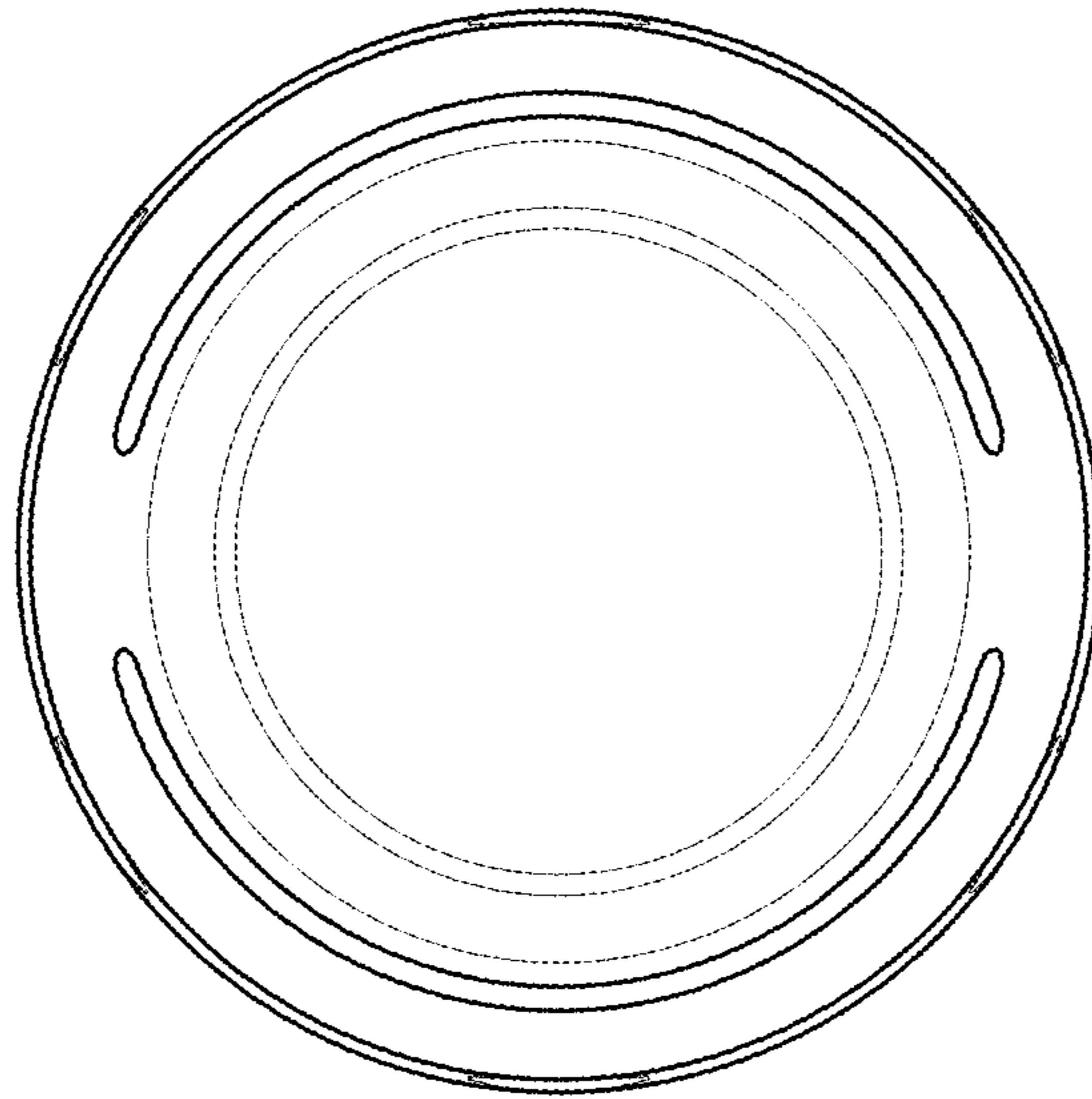


FIG. 6

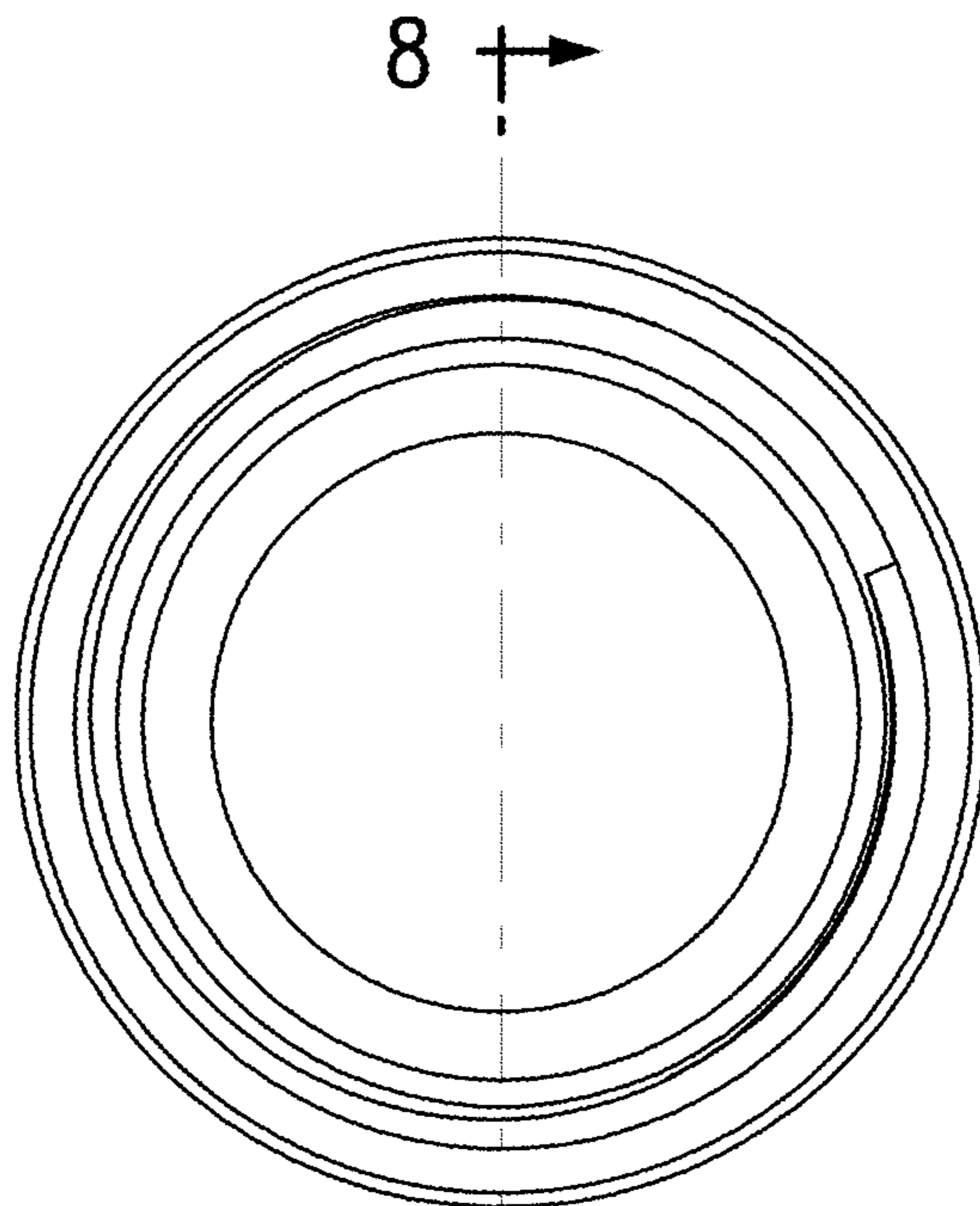


FIG. 7

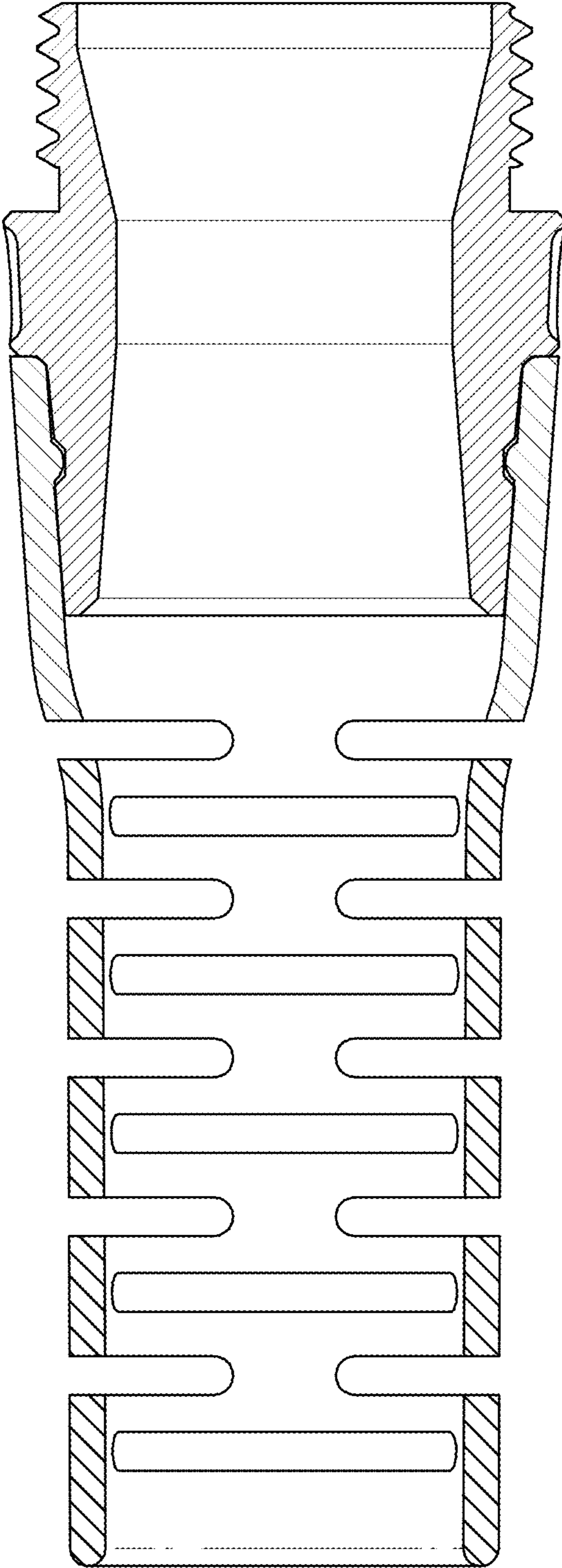


FIG. 8

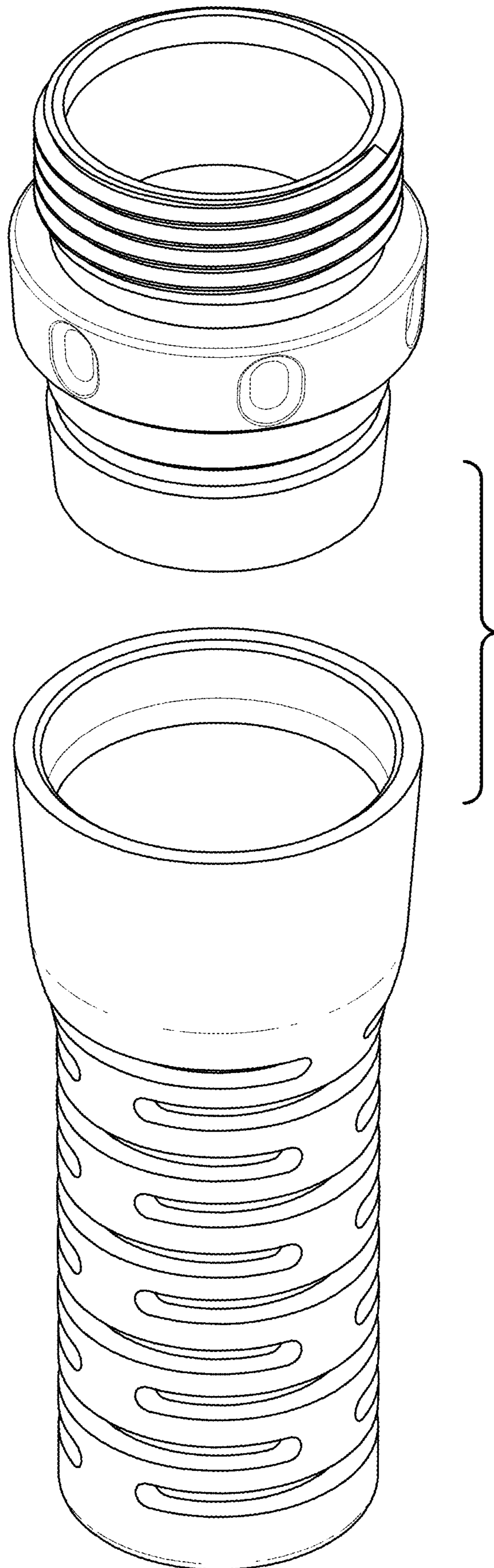


FIG. 9

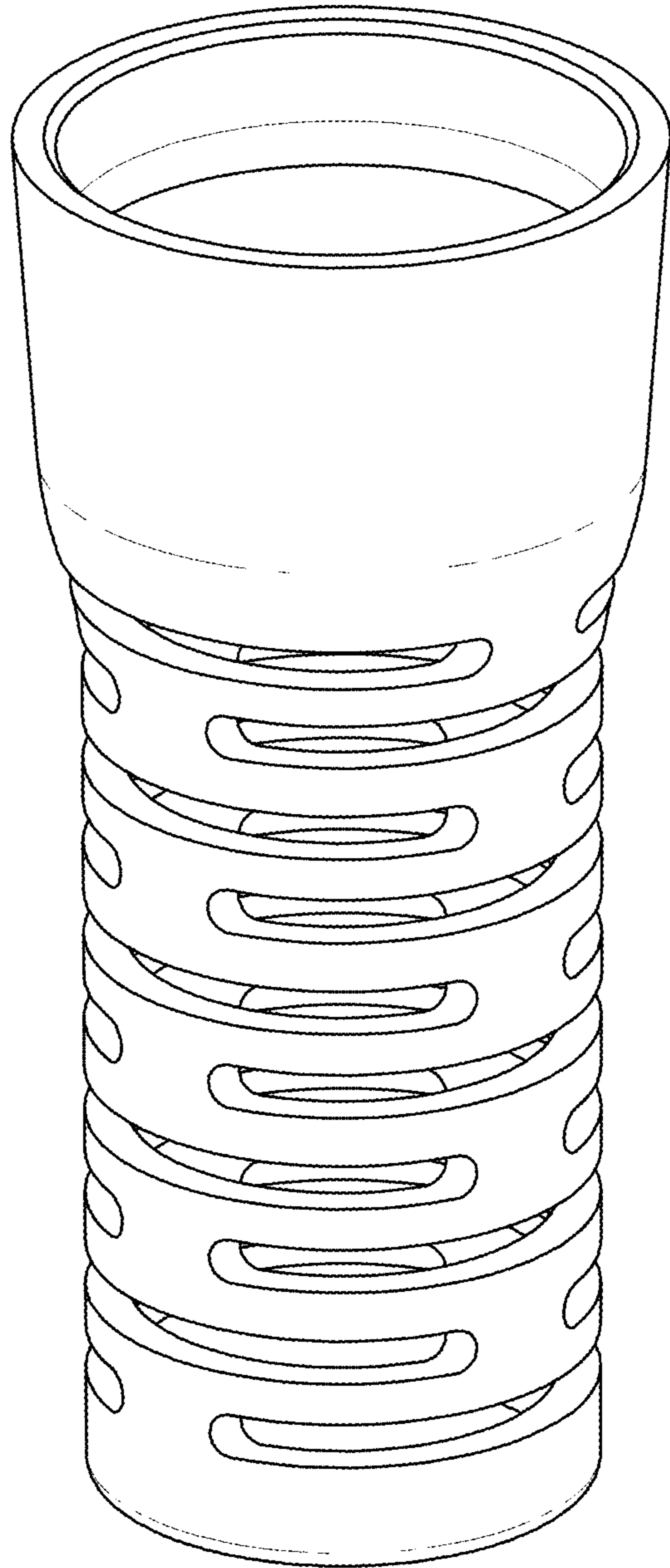


FIG. 10

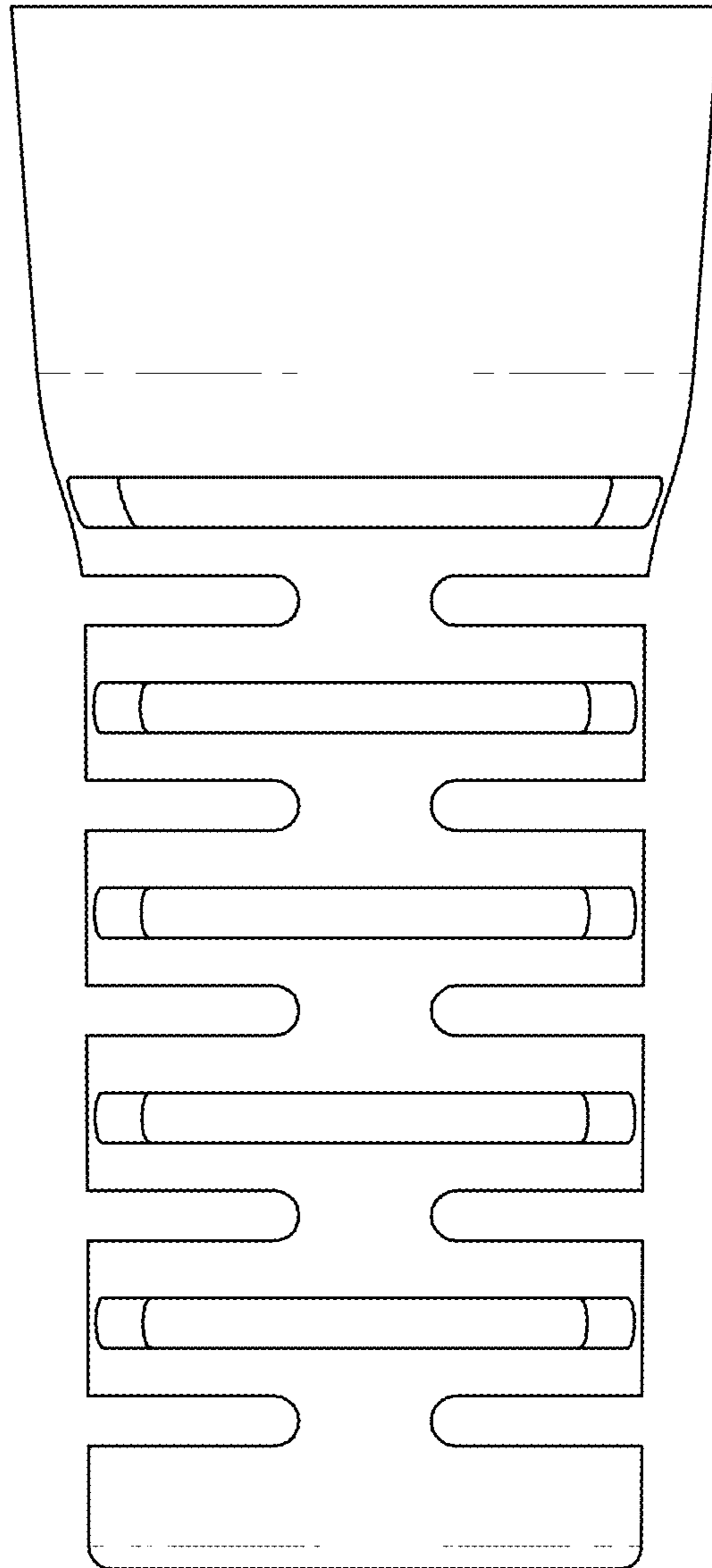


FIG. 11

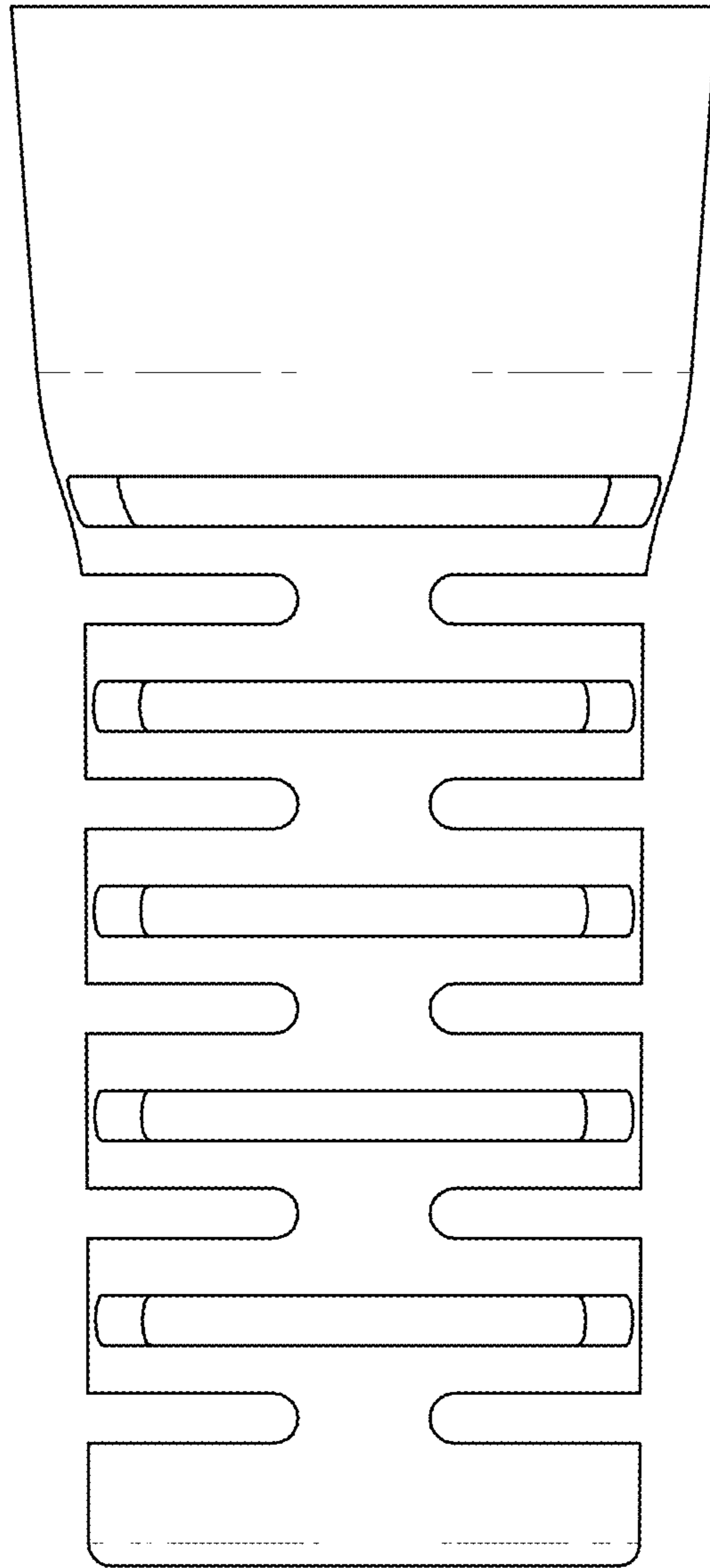


FIG. 12

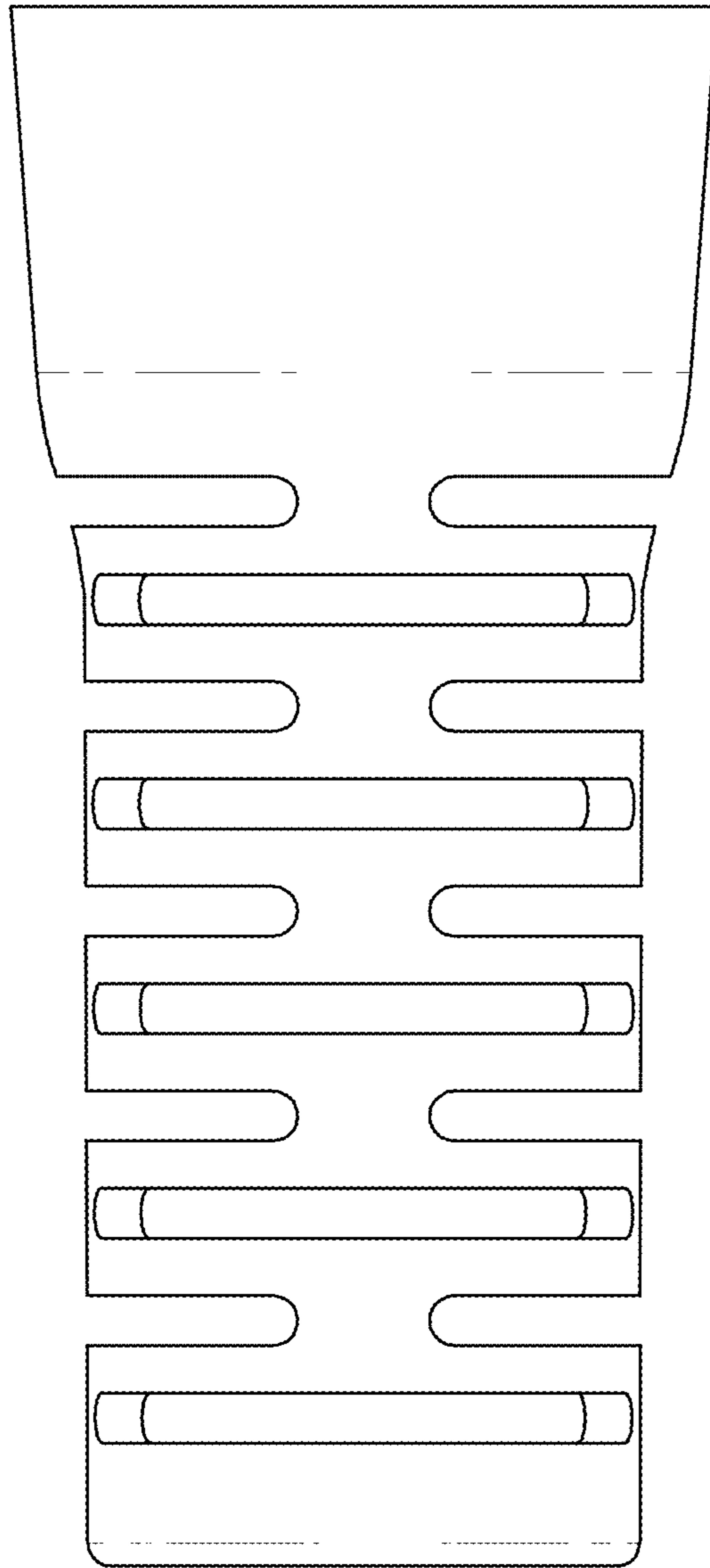


FIG. 13

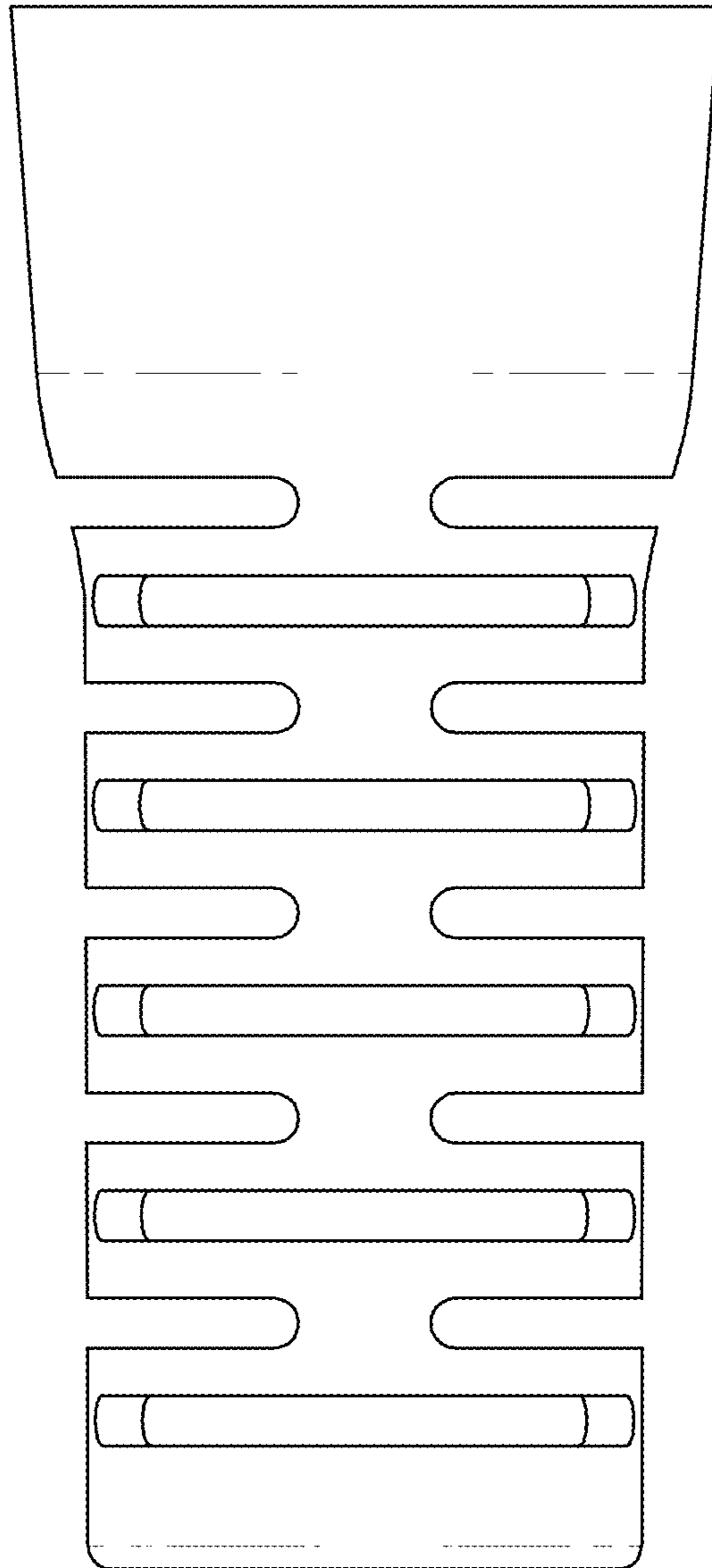


FIG. 14

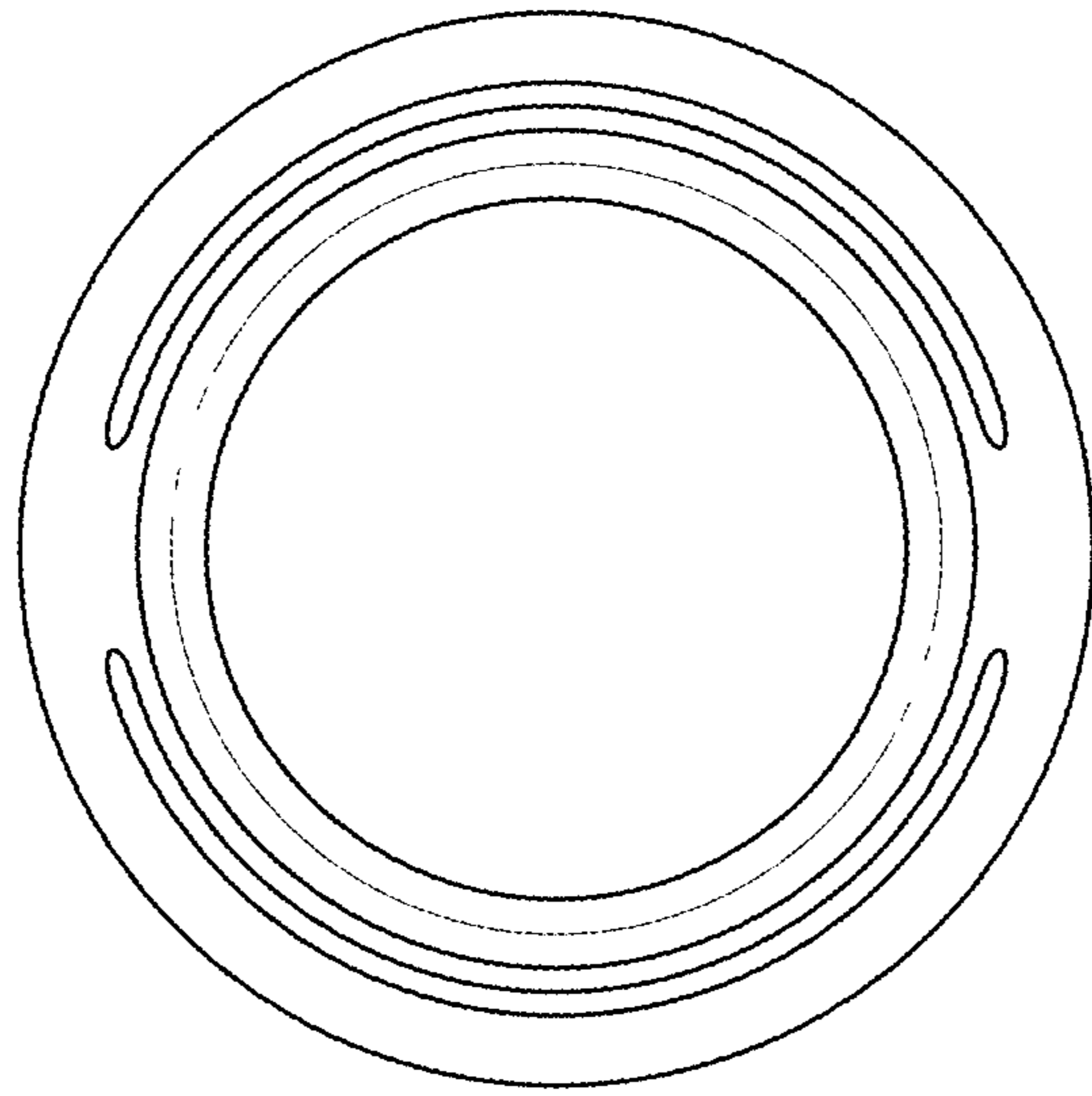


FIG. 15

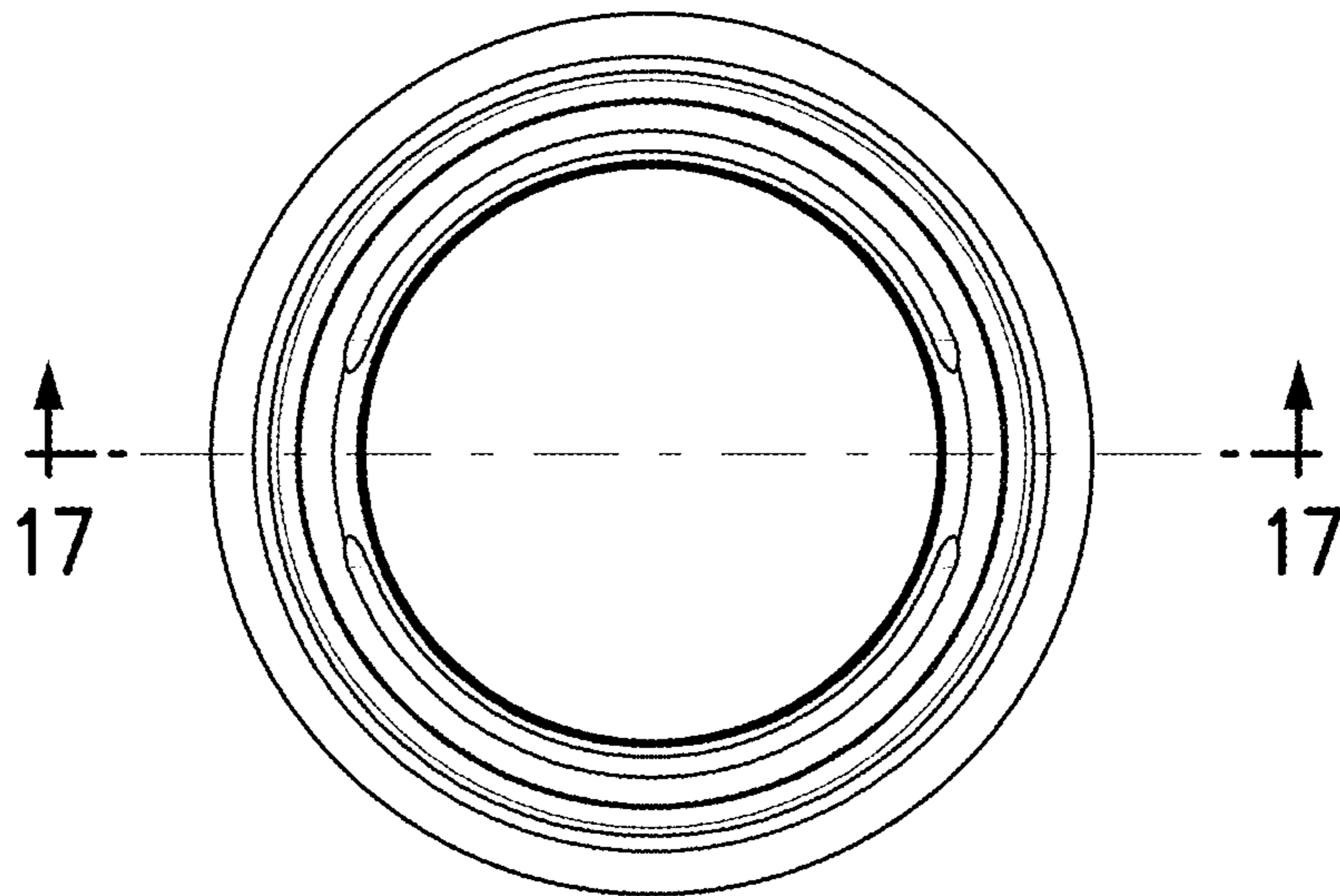


FIG. 16

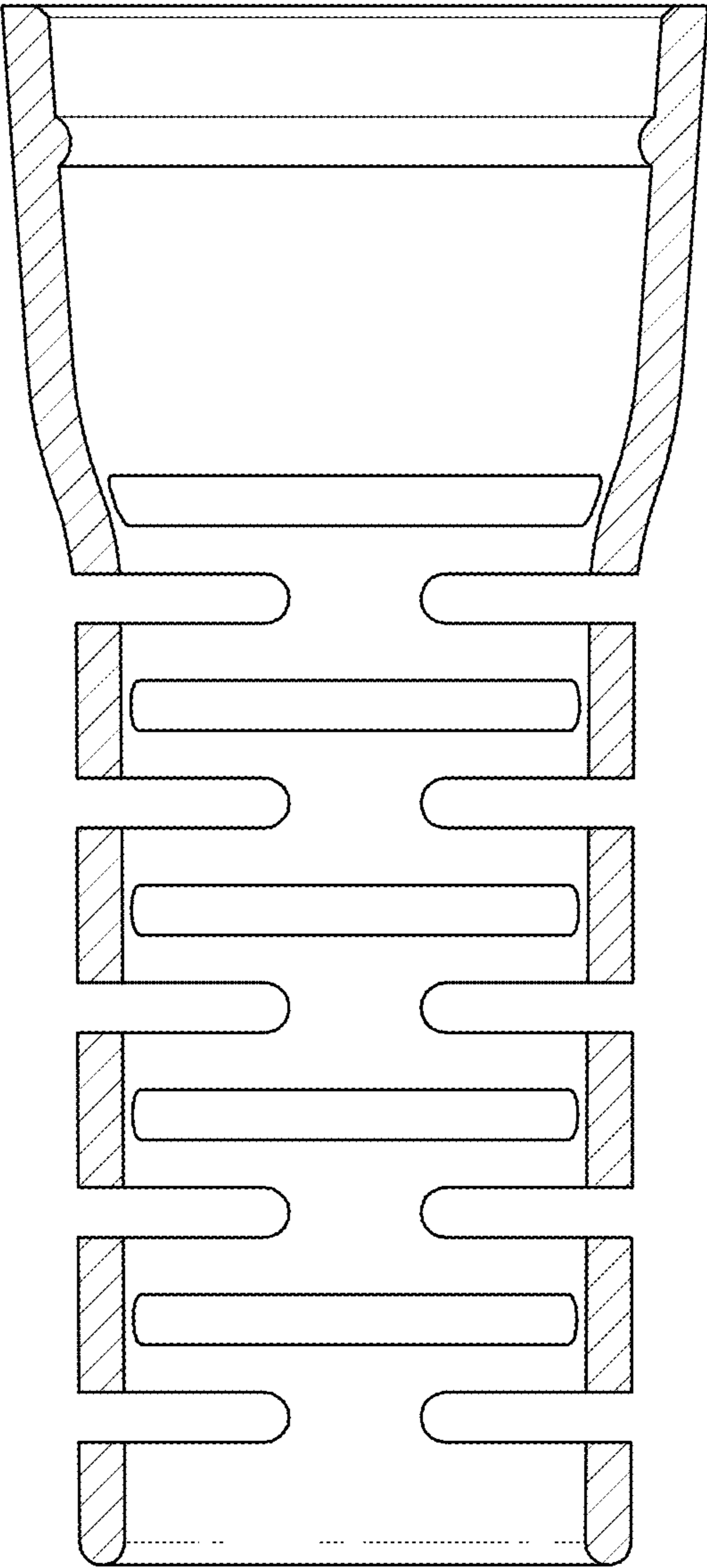


FIG. 17

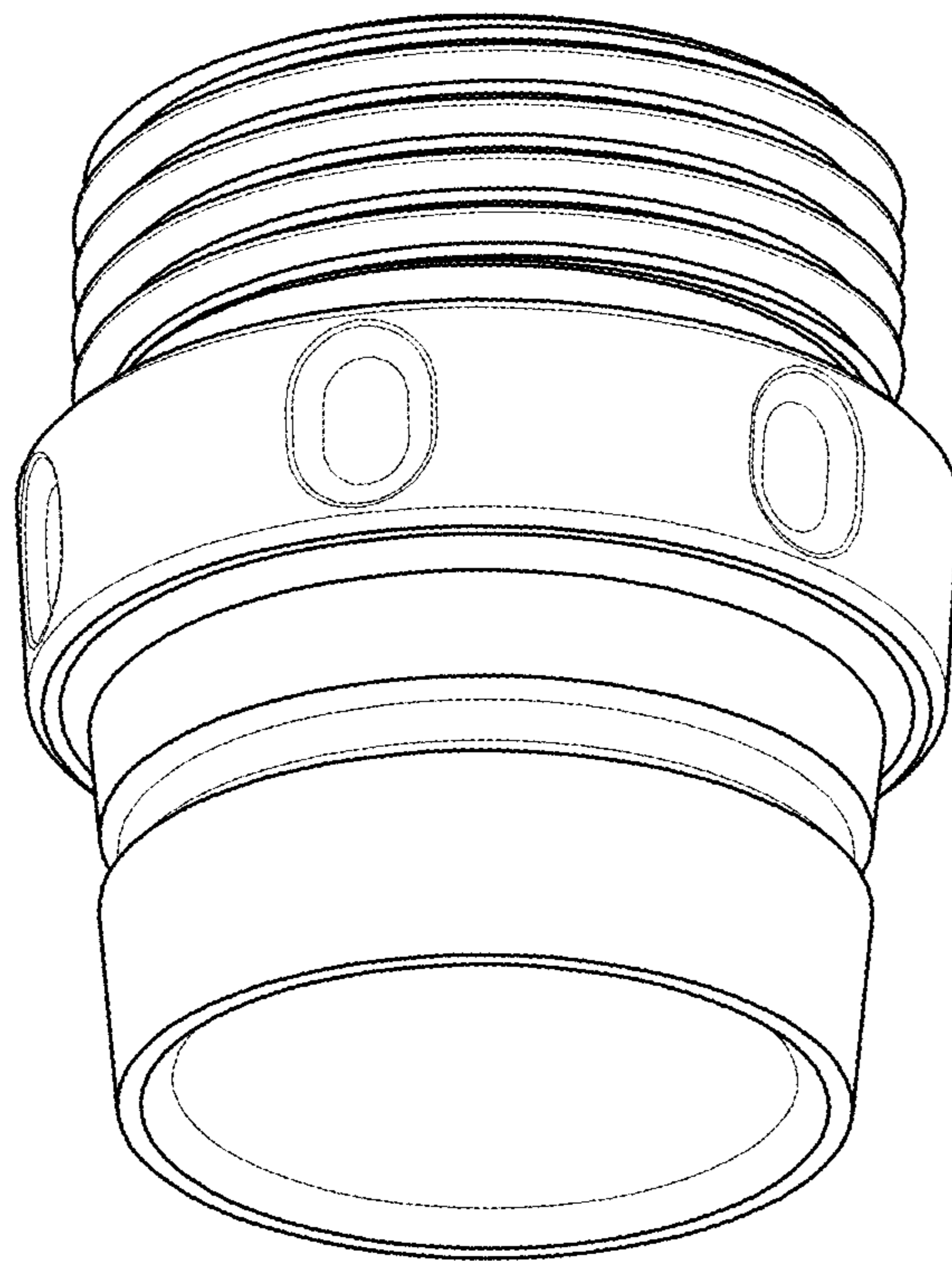


FIG. 18

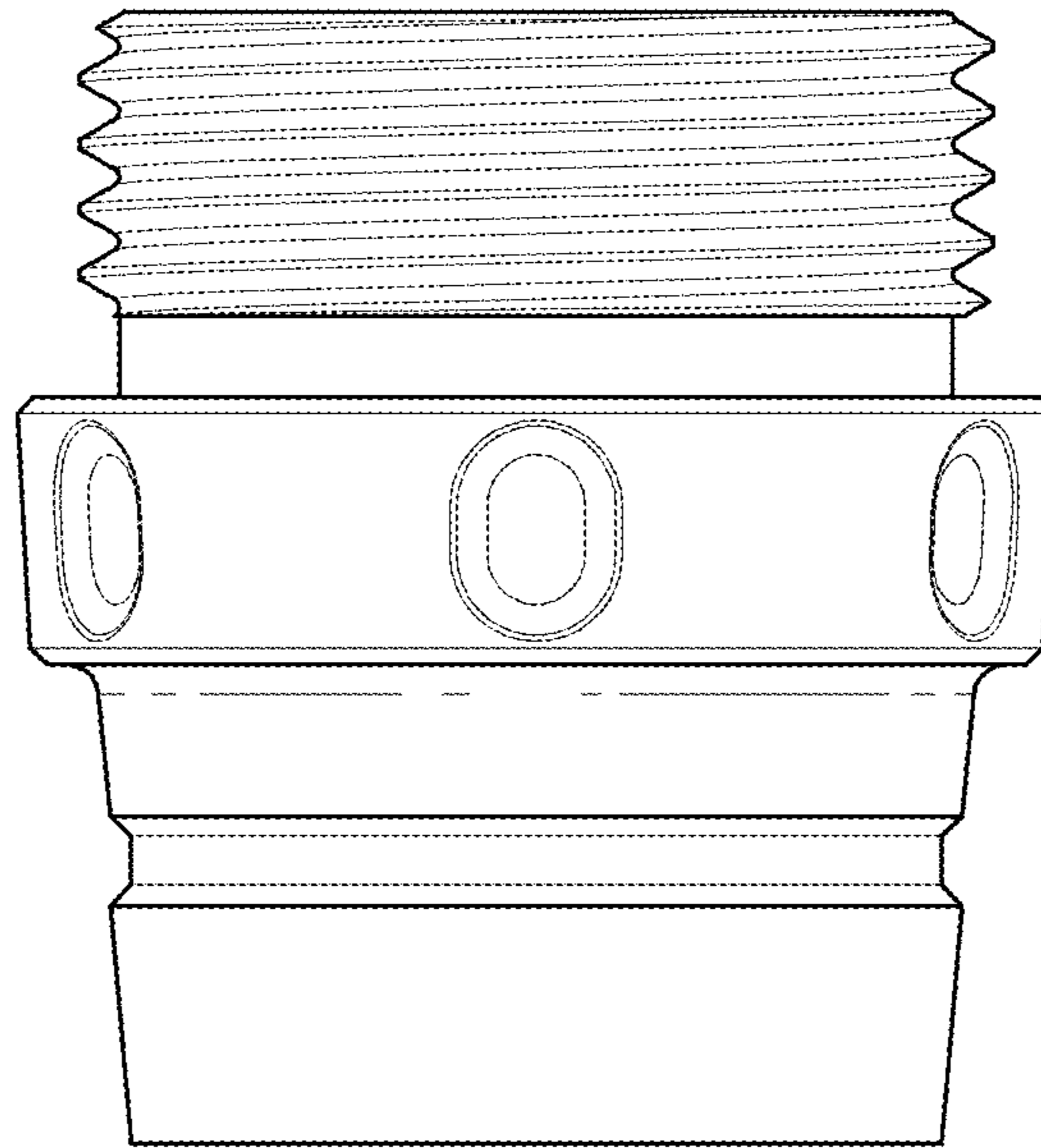


FIG. 19

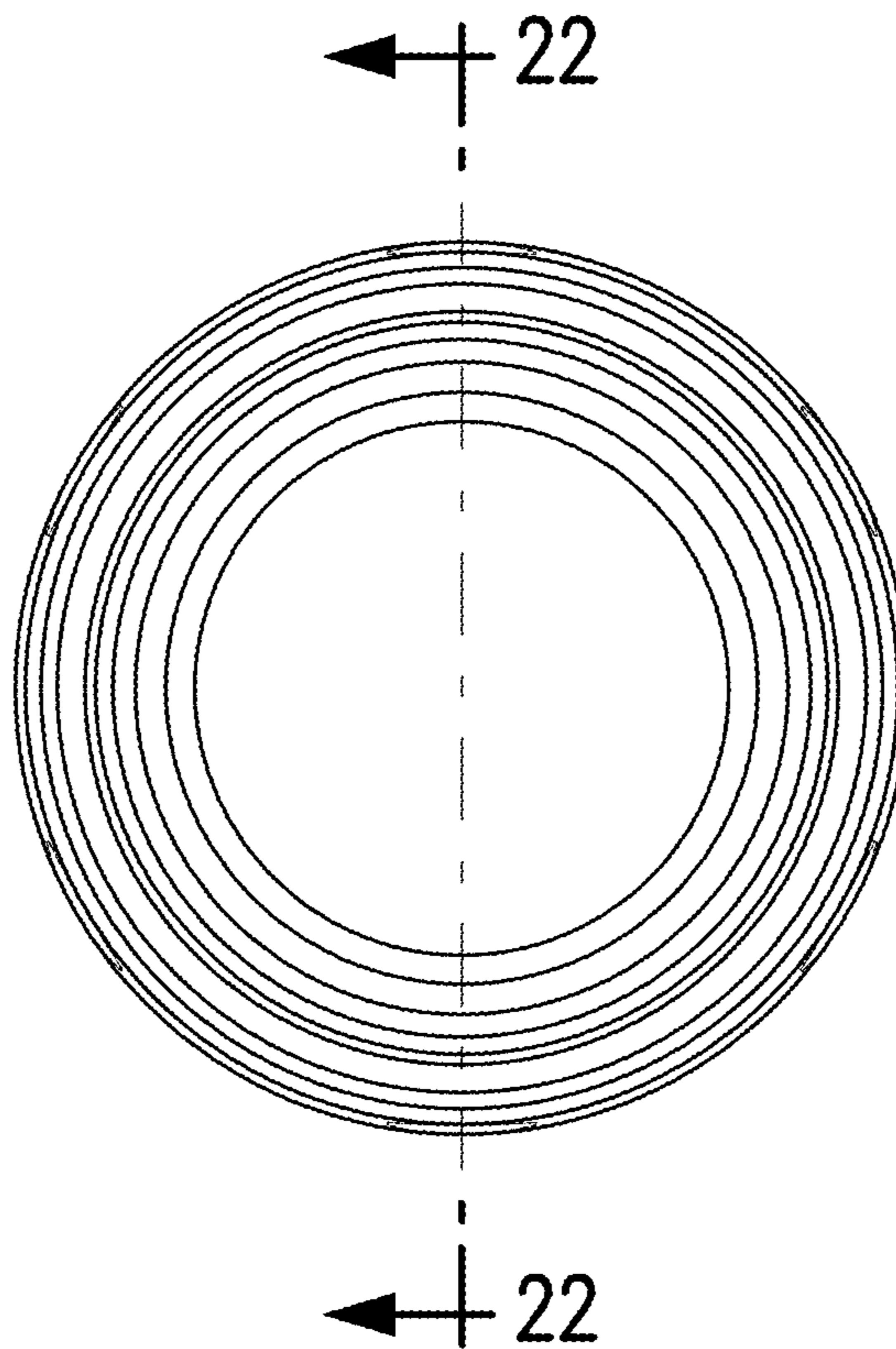


FIG. 20

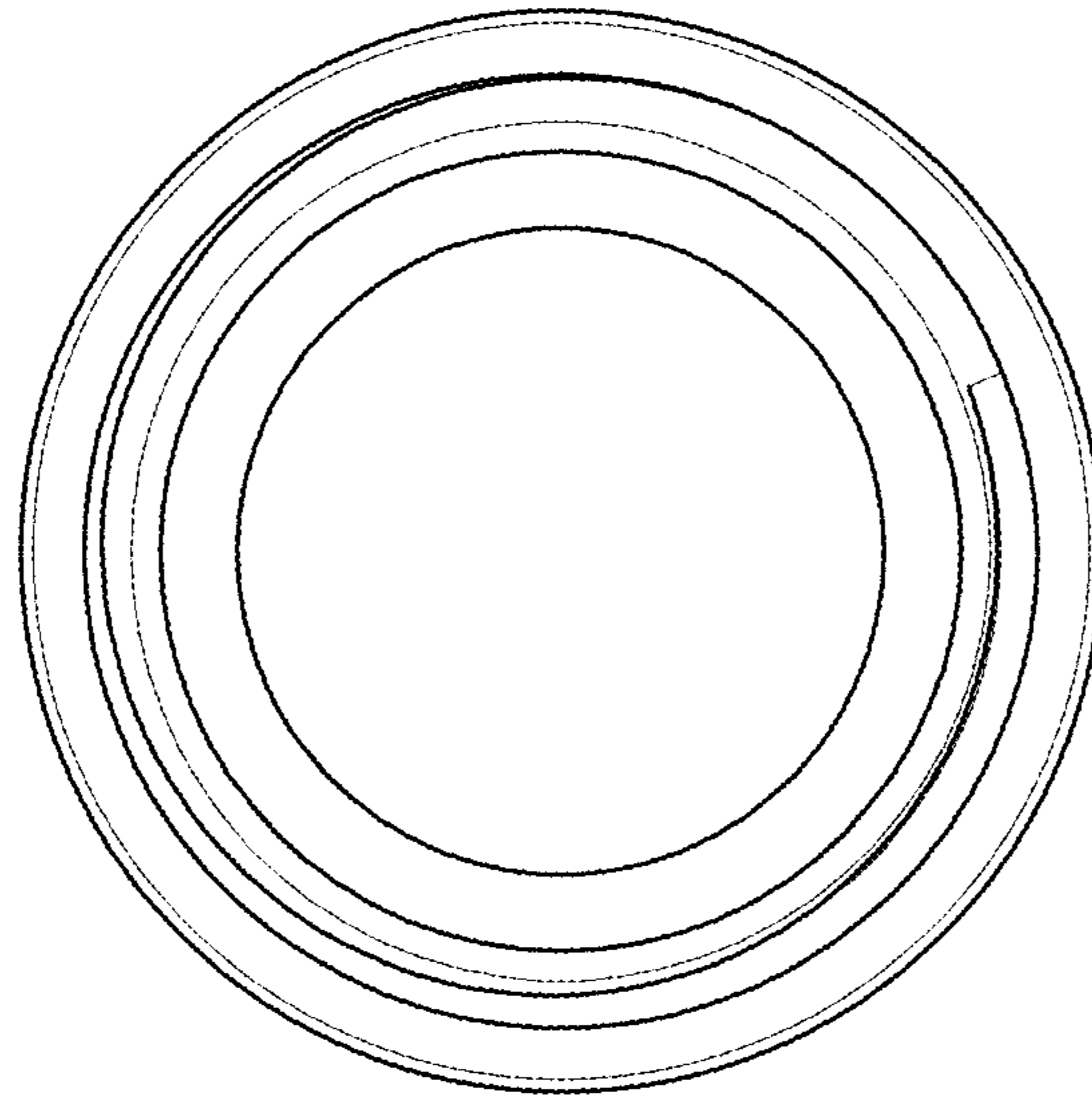


FIG. 21

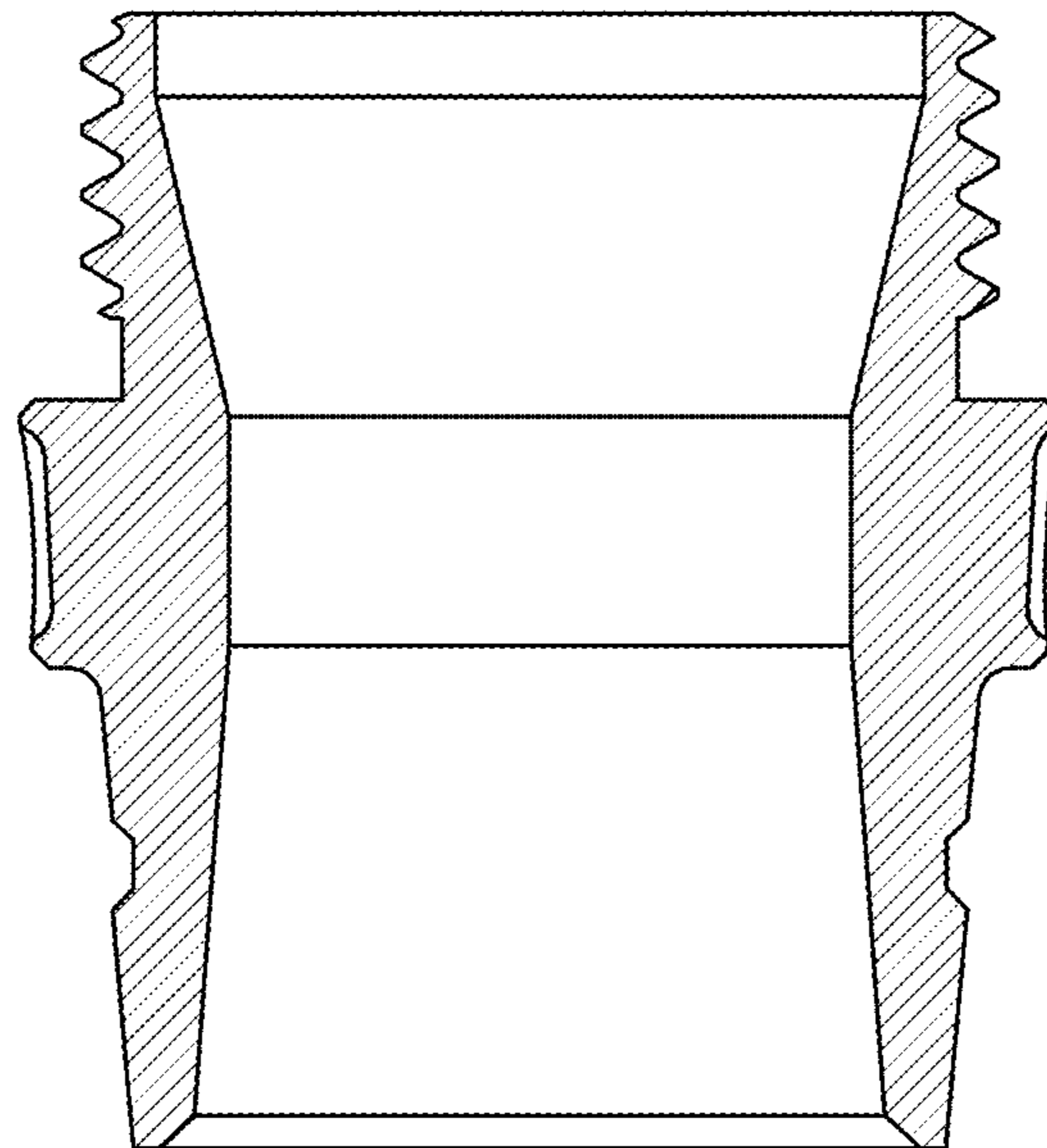


FIG. 22