



US00D926941S

(12) **United States Design Patent** (10) **Patent No.:** **US D926,941 S**  
**Bosio** (45) **Date of Patent:** **\*\* Aug. 3, 2021**

(54) **FAUCET**  
(71) Applicant: **AMFAG S.r.l.**, Casaloldo (IT)  
(72) Inventor: **Andrea Bosio**, Casaloldo (IT)  
(73) Assignee: **AMFAG S.r.l.**, Casaloldo (IT)

(\*\*) Term: **15 Years**

(21) Appl. No.: **29/704,581**

(22) Filed: **Sep. 5, 2019**

(30) **Foreign Application Priority Data**

Mar. 5, 2019 (EM) ..... 006281580-0005  
Mar. 5, 2019 (EM) ..... 006281580-0006  
Mar. 5, 2019 (EM) ..... 006281580-0007

(51) **LOC (13) Cl.** ..... **23-01**

(52) **U.S. Cl.**  
USPC ..... **D23/255**

(58) **Field of Classification Search**  
USPC ..... D23/255, 257, 238, 241-243, 213  
See application file for complete search history.

(56) **References Cited**

**U.S. PATENT DOCUMENTS**

D441,060 S \* 4/2001 Lefroy-Brooks ..... D23/238  
D481,445 S \* 10/2003 Haug ..... D23/238

D535,724 S \* 1/2007 Zhou ..... D23/238  
D689,595 S \* 9/2013 Georgeson ..... D23/238  
D696,386 S \* 12/2013 Schoenherr ..... D23/238  
D860,396 S \* 9/2019 Seum ..... D23/238  
D883,439 S \* 5/2020 Seum ..... D23/238  
D888,202 S \* 6/2020 Garland ..... D23/255  
2017/0328044 A1\* 11/2017 Wang ..... E03C 1/0404

\* cited by examiner

*Primary Examiner* — Robert A Delehanty

(74) *Attorney, Agent, or Firm* — Akerman LLP

(57) **CLAIM**

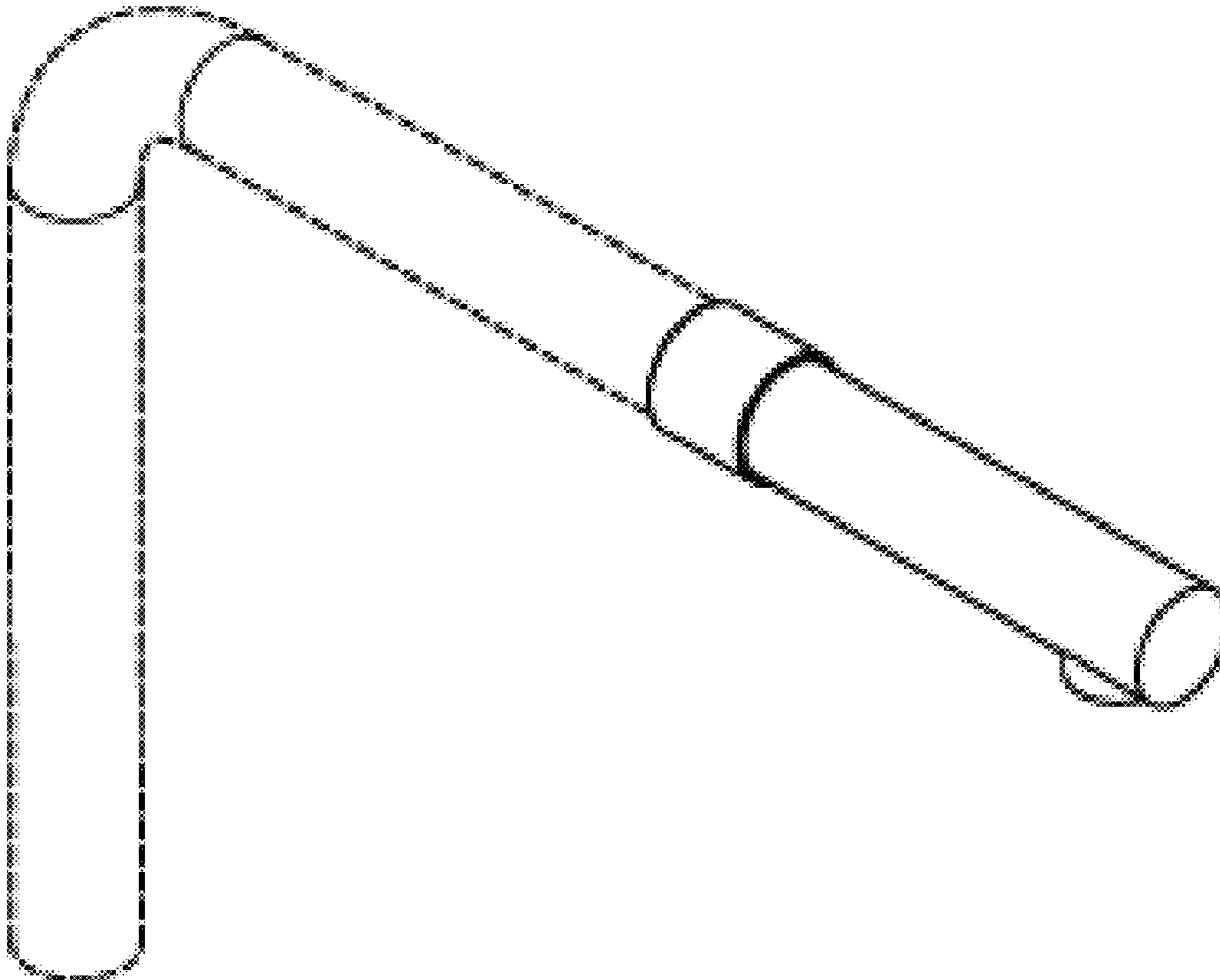
I claim the ornamental design for a faucet, as shown and described.

**DESCRIPTION**

FIG. 1 is a perspective view of the faucet, showing my new, original and ornamental design;  
FIG. 2 is a front view thereof;  
FIG. 3 is a back view thereof;  
FIG. 4 is a side view thereof;  
FIG. 5 is another side view thereof;  
FIG. 6 is a bottom view thereof; and,  
FIG. 7 is a top view thereof.

The broken lines shown in the drawings represent unclaimed portions of the faucet and forms no part of the claimed design.

**1 Claim, 4 Drawing Sheets**



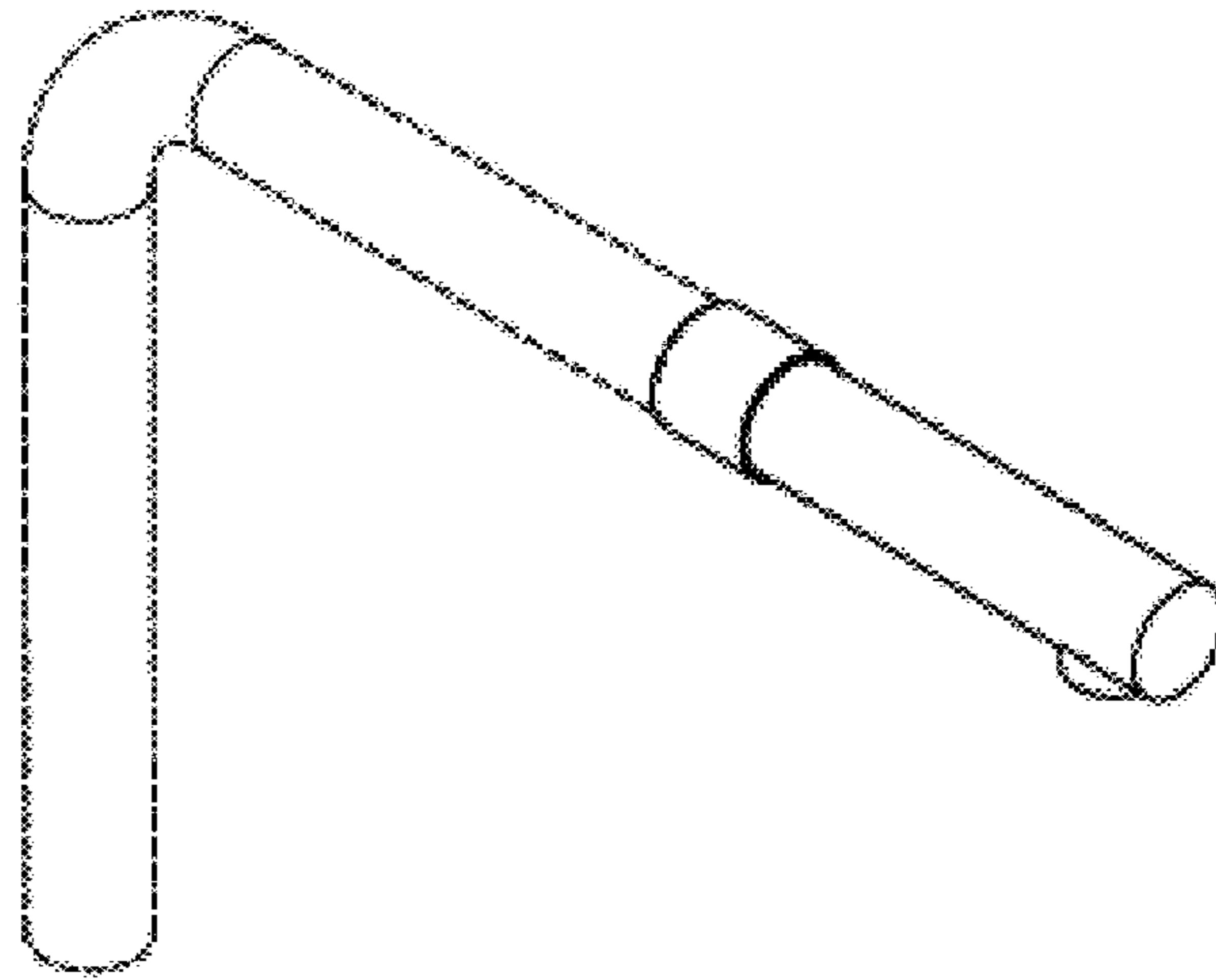


FIG. 1

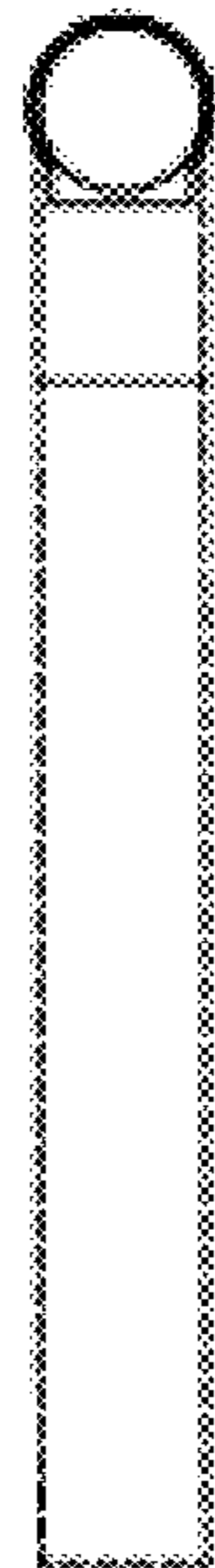


FIG. 2



FIG. 3

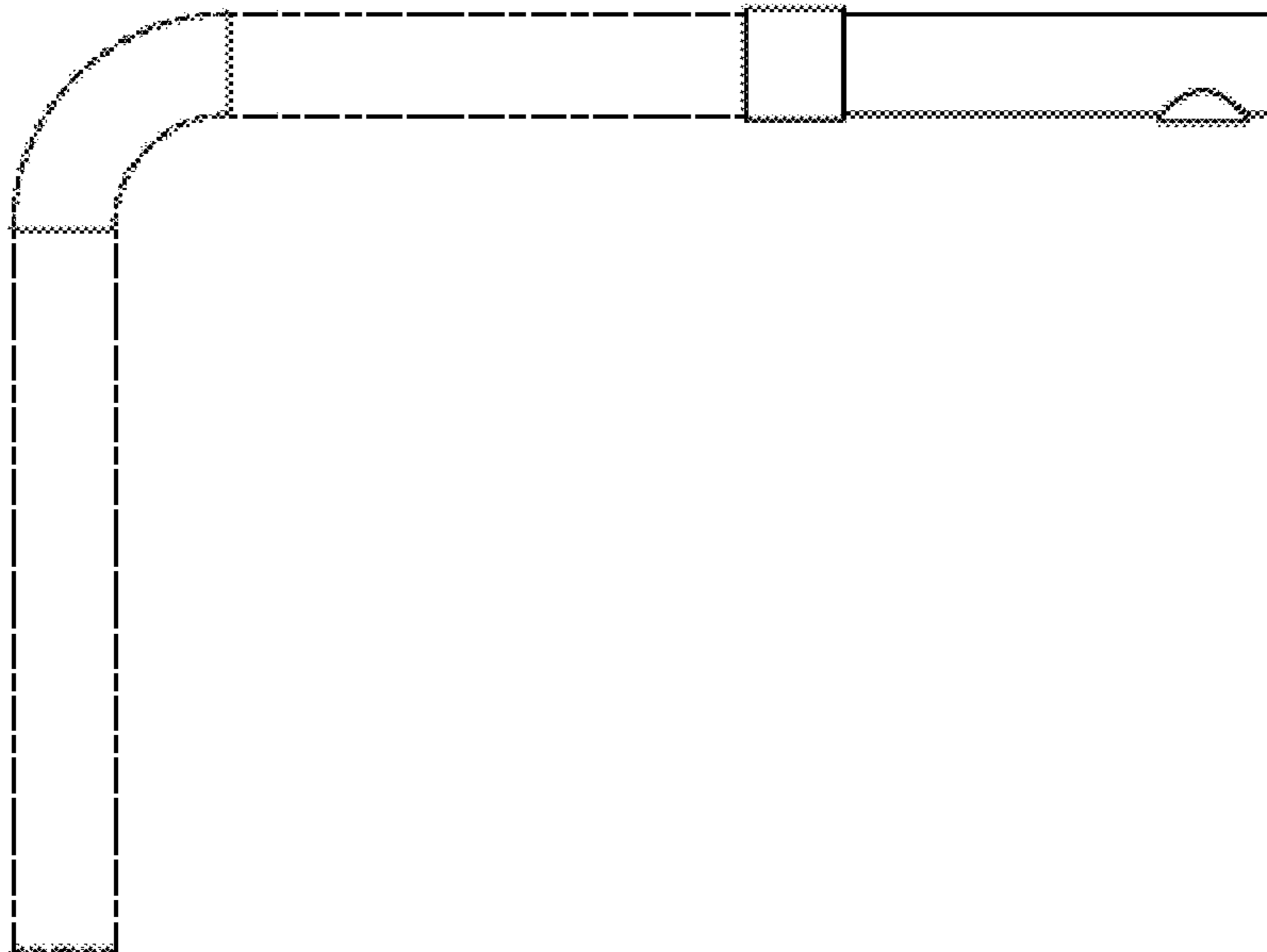


FIG. 4

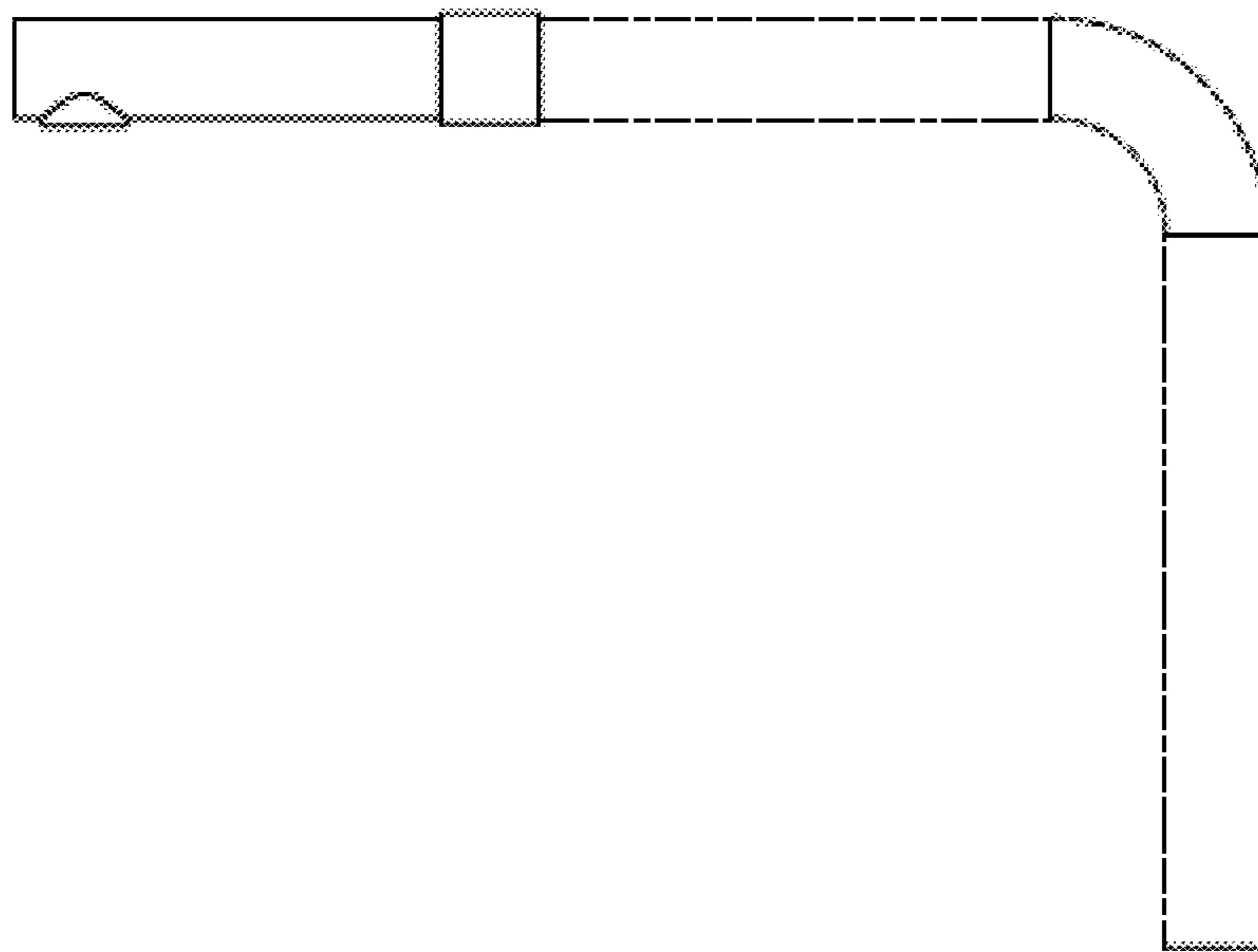


FIG. 5



FIG. 6



FIG. 7