



US00D926940S

(12) **United States Design Patent** (10) **Patent No.:** **US D926,940 S**
Bosio (45) **Date of Patent:** **** Aug. 3, 2021**

(54) **FAUCET**
(71) Applicant: **AMFAG S.r.l.**, Casaloldo (IT)
(72) Inventor: **Andrea Bosio**, Casaloldo (IT)
(73) Assignee: **AMFAG S.R.L.**, Casaloldo (IT)
(**) Term: **15 Years**
(21) Appl. No.: **29/704,569**
(22) Filed: **Sep. 5, 2019**

(30) **Foreign Application Priority Data**
Mar. 5, 2019 (EM) 006281580-0001
Mar. 5, 2019 (EM) 006281580-0002
Mar. 5, 2019 (EM) 006281580-0003
Mar. 5, 2019 (EM) 006281580-0004

(51) **LOC (13) Cl.** **23-01**
(52) **U.S. Cl.**
USPC **D23/255**
(58) **Field of Classification Search**
USPC D23/255, 257, 238, 241-243, 213
See application file for complete search history.

(56) **References Cited**
U.S. PATENT DOCUMENTS
D267,188 S * 12/1982 Thompson D23/255
D267,189 S * 12/1982 Thompson D23/255

D318,518 S * 7/1991 Schmidt D23/238
D399,931 S * 10/1998 Doughty D23/255
D441,060 S * 4/2001 Lefroy-Brooks D23/238
D535,724 S * 1/2007 Zhou D23/238
D689,595 S * 9/2013 Georgeson D23/238
D696,386 S * 12/2013 Schoenherr D23/238
D860,396 S * 9/2019 Seum D23/238
D885,525 S * 5/2020 Hsu D23/255
D888,202 S * 6/2020 Garland D23/255

* cited by examiner

Primary Examiner — Robert A Delehanty
(74) *Attorney, Agent, or Firm* — Akerman LLP

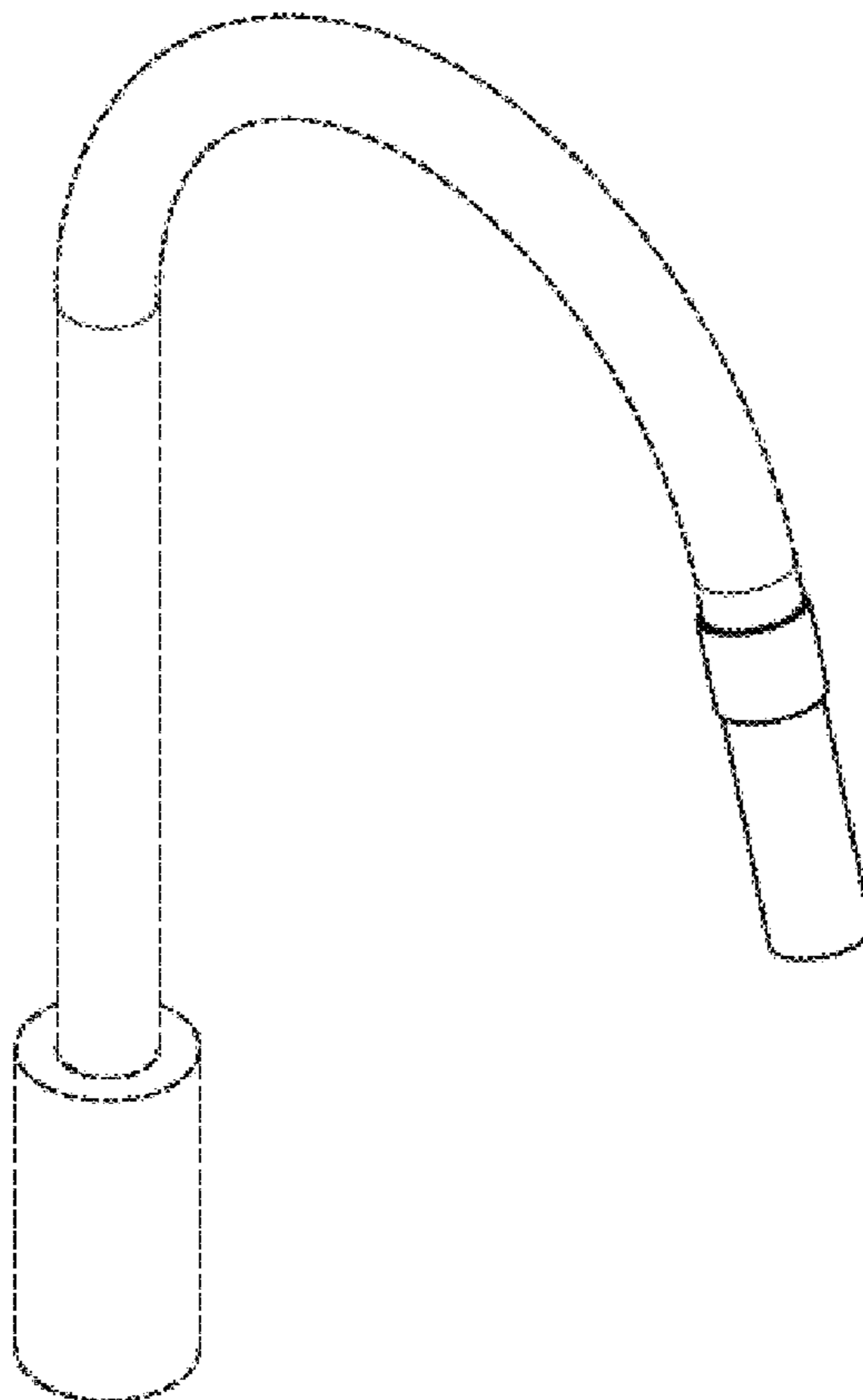
(57) **CLAIM**

I claim the ornamental design for a faucet, as shown and described.

DESCRIPTION

FIG. 1 is a perspective view of the faucet, showing my new, original and ornamental design;
FIG. 2 is a front view thereof;
FIG. 3 is a back view thereof;
FIG. 4 is a side view thereof;
FIG. 5 is another side view thereof;
FIG. 6 is a bottom view thereof; and,
FIG. 7 is a top view thereof.
The broken lines shown in the drawings represent unclaimed portions of the faucet and forms no part of the claimed design.

1 Claim, 6 Drawing Sheets



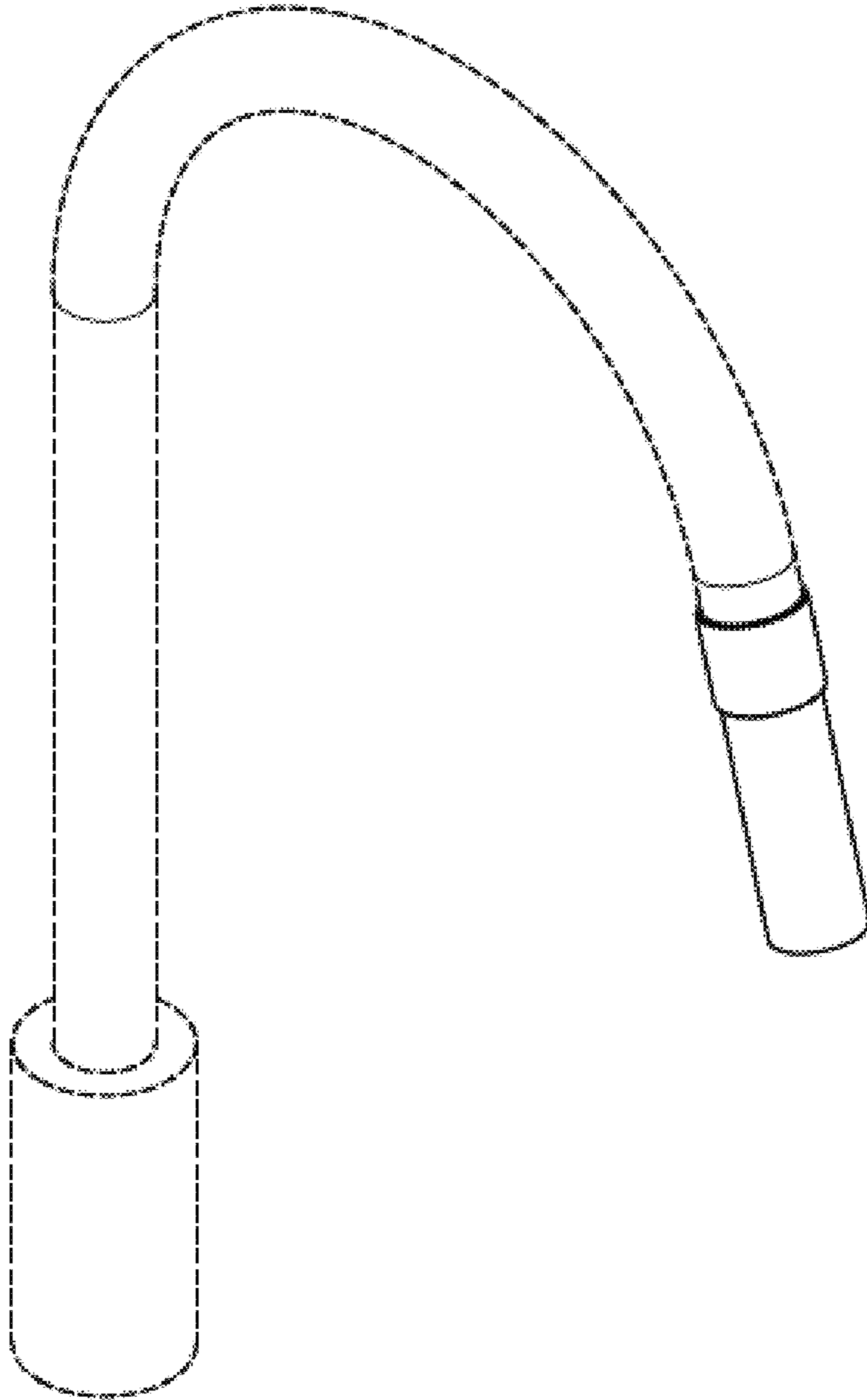


FIG. 1

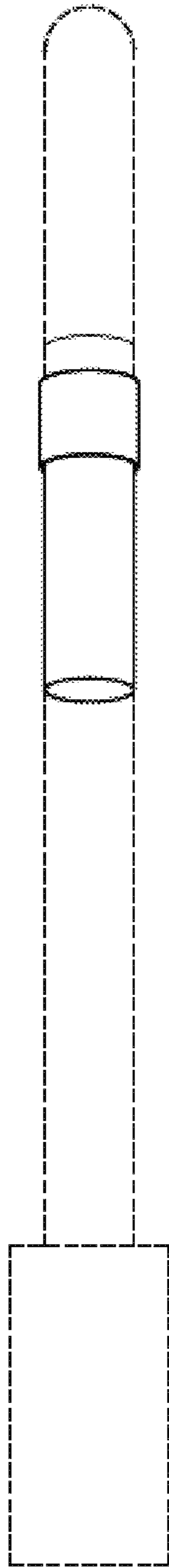


FIG. 2

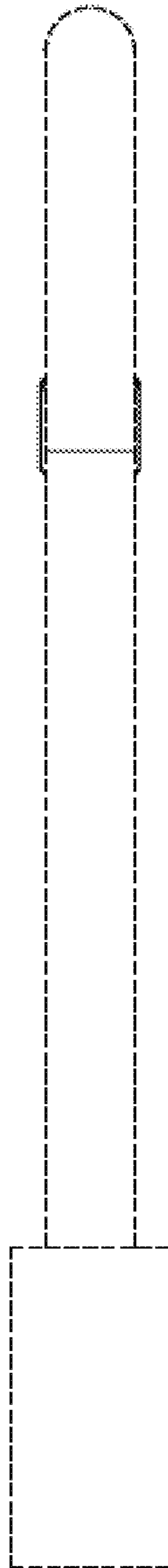


FIG. 3

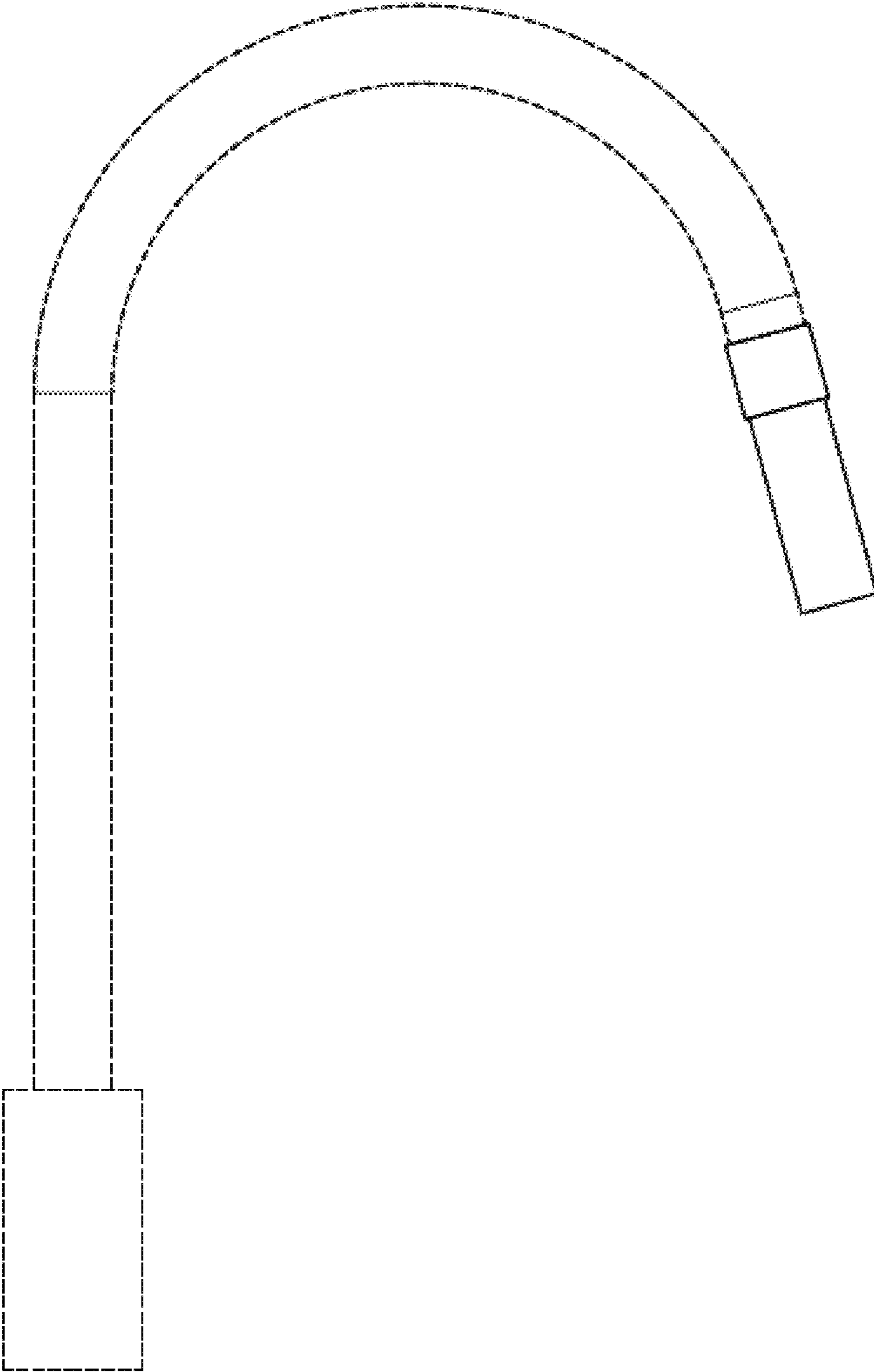


FIG. 4

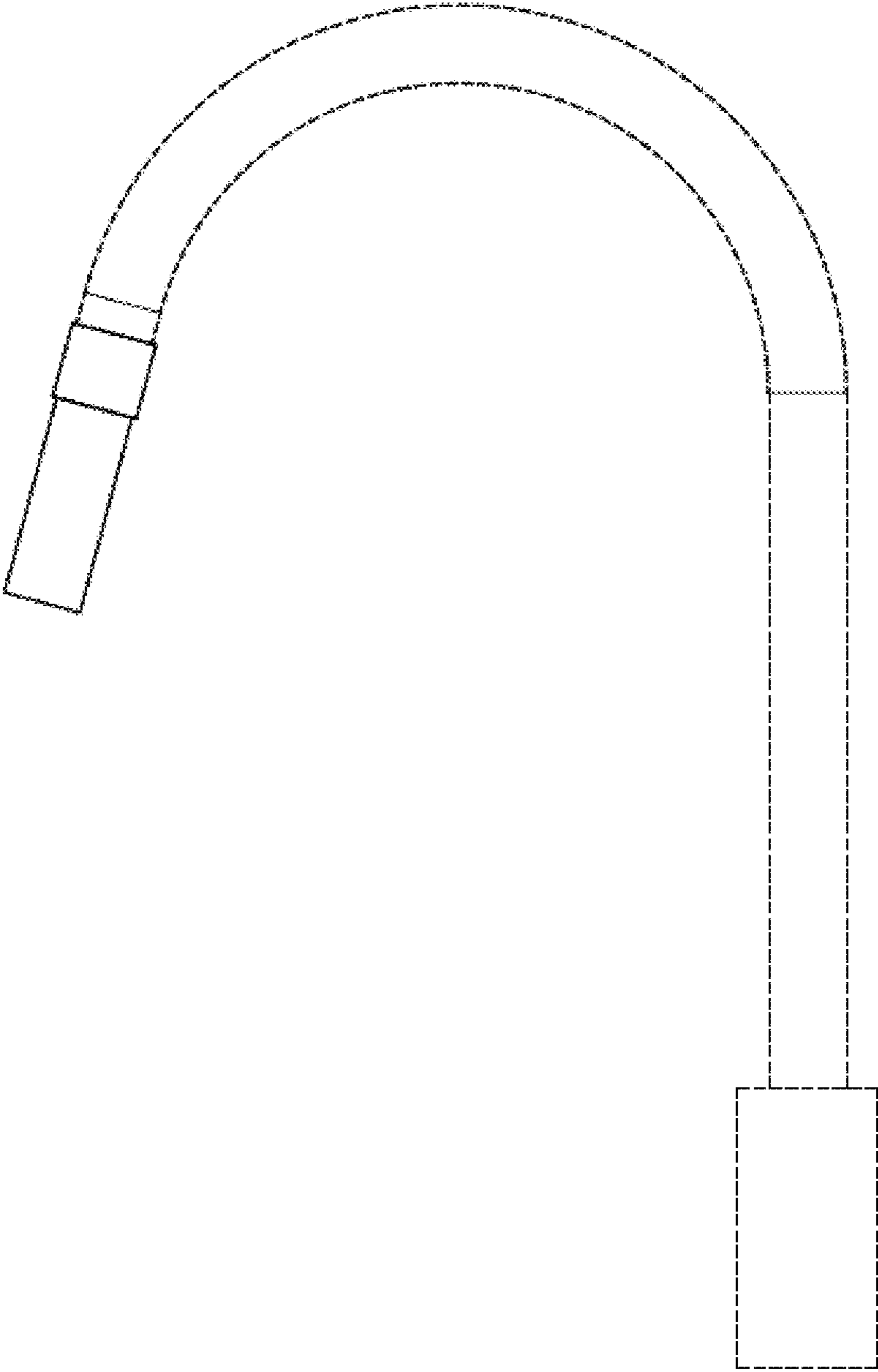


FIG. 5

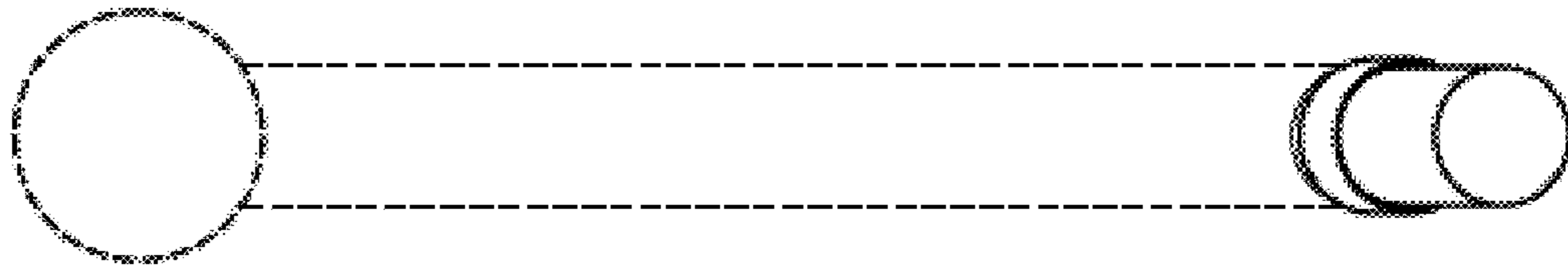


FIG. 6

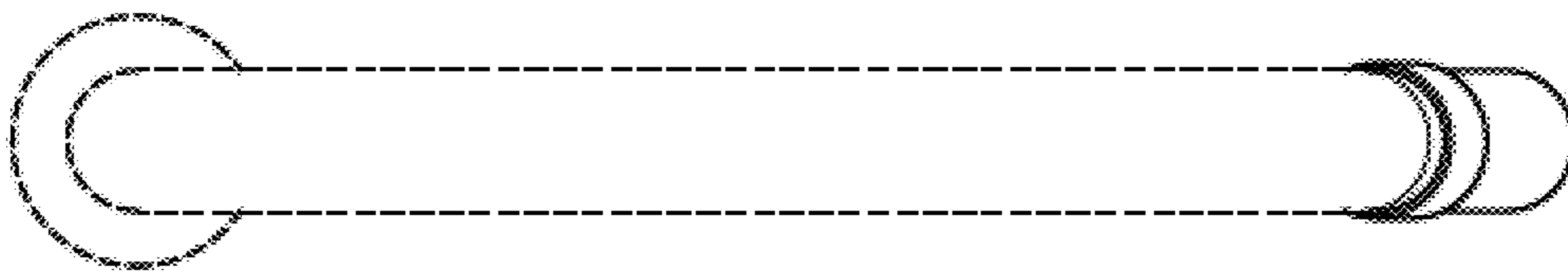


FIG. 7