



US00D926939S

(12) **United States Design Patent**  
**Mamaril**

(10) **Patent No.:** **US D926,939 S**

(45) **Date of Patent:** **\*\* Aug. 3, 2021**

(54) **FAUCET**

D667,084 S \* 9/2012 Berger ..... D23/238  
D898,872 S \* 10/2020 Massaud ..... D23/242  
2019/0264825 A1\* 8/2019 Rosko ..... F16K 11/22

(71) Applicant: **DELTA FAUCET COMPANY,**  
Indianapolis, IN (US)

(72) Inventor: **Justin Mamaril,** Columbus, OH (US)

(73) Assignee: **DELTA FAUCET COMPANY,**  
Indianapolis, IN (US)

(\*\*) Term: **15 Years**

(21) Appl. No.: **29/723,814**

(22) Filed: **Feb. 11, 2020**

(51) **LOC (13) Cl.** ..... **23-01**

(52) **U.S. Cl.**  
USPC ..... **D23/242**

(58) **Field of Classification Search**  
USPC ..... D23/238–244, 252, 254–255, 257  
CPC .... F16K 31/602; F16K 31/605; F16K 31/607;  
E03C 1/0412

See application file for complete search history.

(56) **References Cited**

**U.S. PATENT DOCUMENTS**

D297,970 S	*	10/1988	Paul	.....	D23/242
D303,565 S	*	9/1989	Paul	.....	D23/242
D313,065 S	*	12/1990	Strignano	.....	D23/242
D511,816 S	*	11/2005	Kulig	.....	D23/238
D533,639 S	*	12/2006	Hoernig	.....	D23/242
D541,380 S	*	4/2007	Kikuchi	.....	D23/238
D573,231 S	*	7/2008	Kulig	.....	D23/242
D602,570 S	*	10/2009	Lammel	.....	D23/242
D621,478 S	*	8/2010	Kulig	.....	D23/242
D657,026 S	*	4/2012	Berger	.....	D23/255

**OTHER PUBLICATIONS**

Beelee bathroom faucet, first available May 6, 2017 [online], [site visited Mar. 24, 2021], Available from internet, URL:<<https://www.amazon.com/Beelee-bathroom-faucet-vessel-single/dp/B0716969VC>> (Year: 2016).\*

\* cited by examiner

*Primary Examiner* — Barbara Fox

*Assistant Examiner* — Jamaal Rasheed

(74) *Attorney, Agent, or Firm* — Nirav D. Parikh; Edgar A. Zarins

(57) **CLAIM**

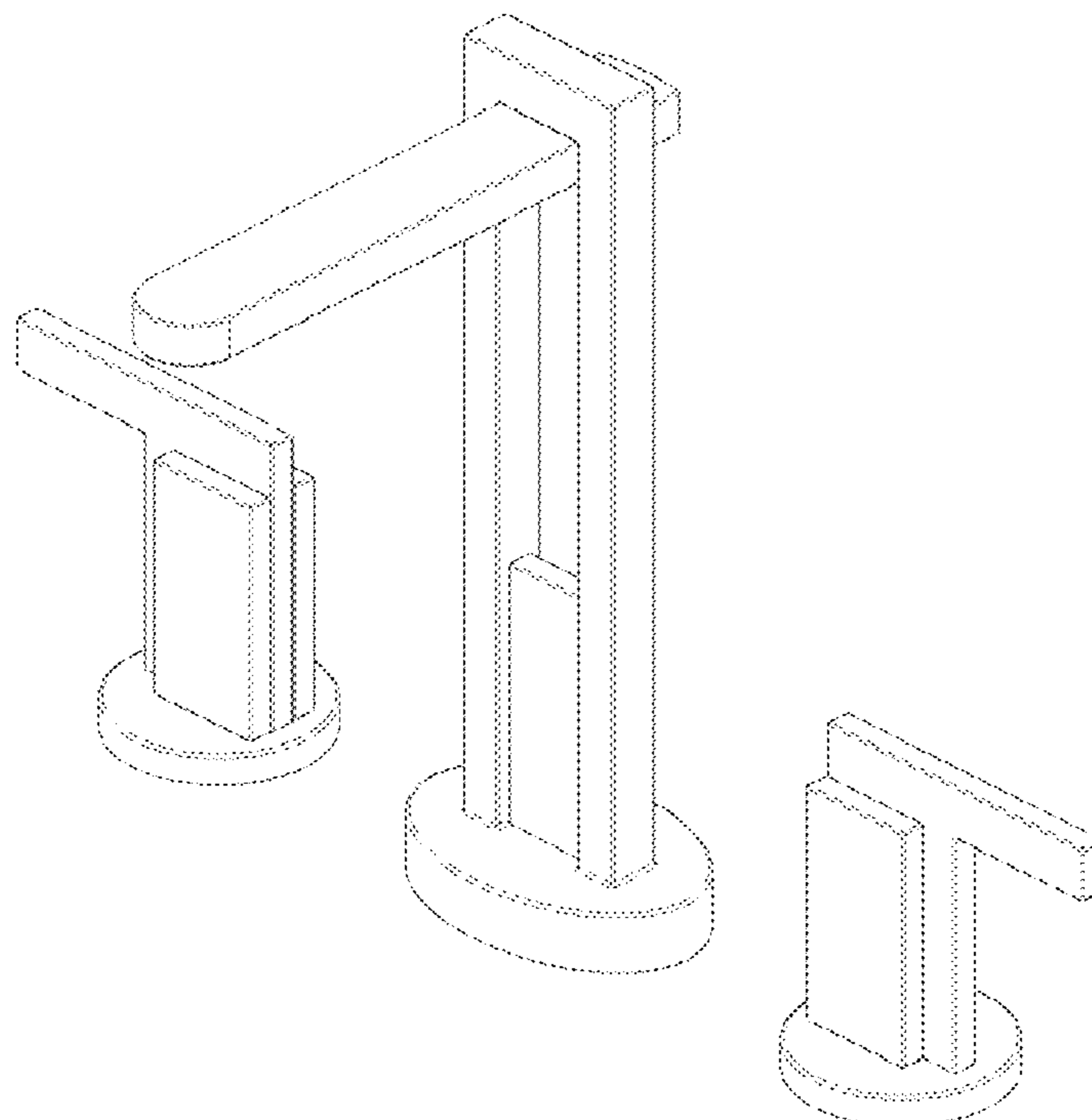
The ornamental design for a faucet, as shown and described.

**DESCRIPTION**

FIG. 1 is a front perspective view of a faucet showing my new design;  
FIG. 2 is a rear perspective view thereof;  
FIG. 3 is a front elevational view thereof;  
FIG. 4 is a left side view thereof;  
FIG. 5 is a rear view thereof;  
FIG. 6 is a right side view thereof;  
FIG. 7 is a top plan view thereof; and,  
FIG. 8 is a bottom view thereof.

The broken lines shown in the drawings depict portions of the faucet that form no part of the claimed design.

**1 Claim, 4 Drawing Sheets**



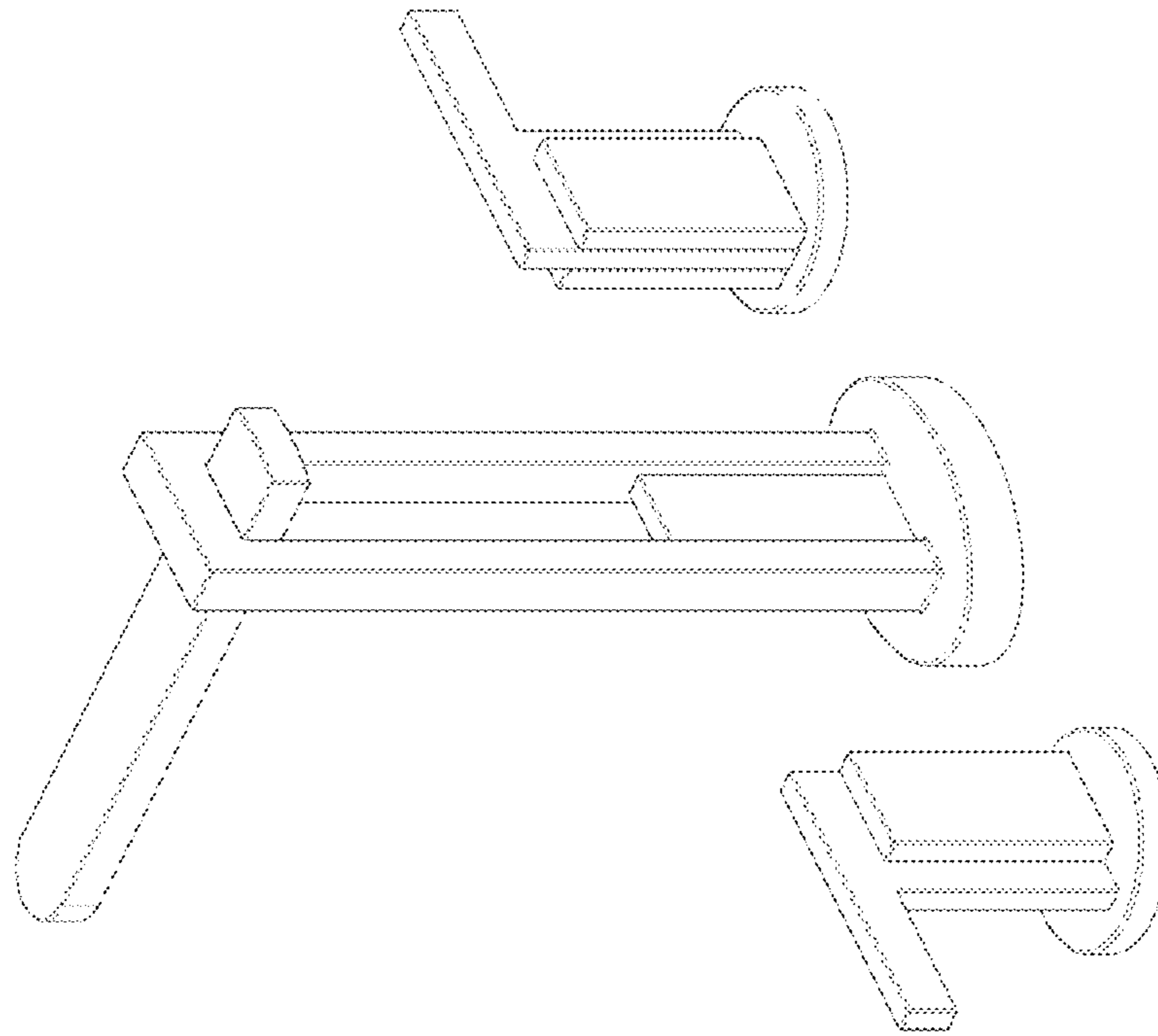


FIG. 2

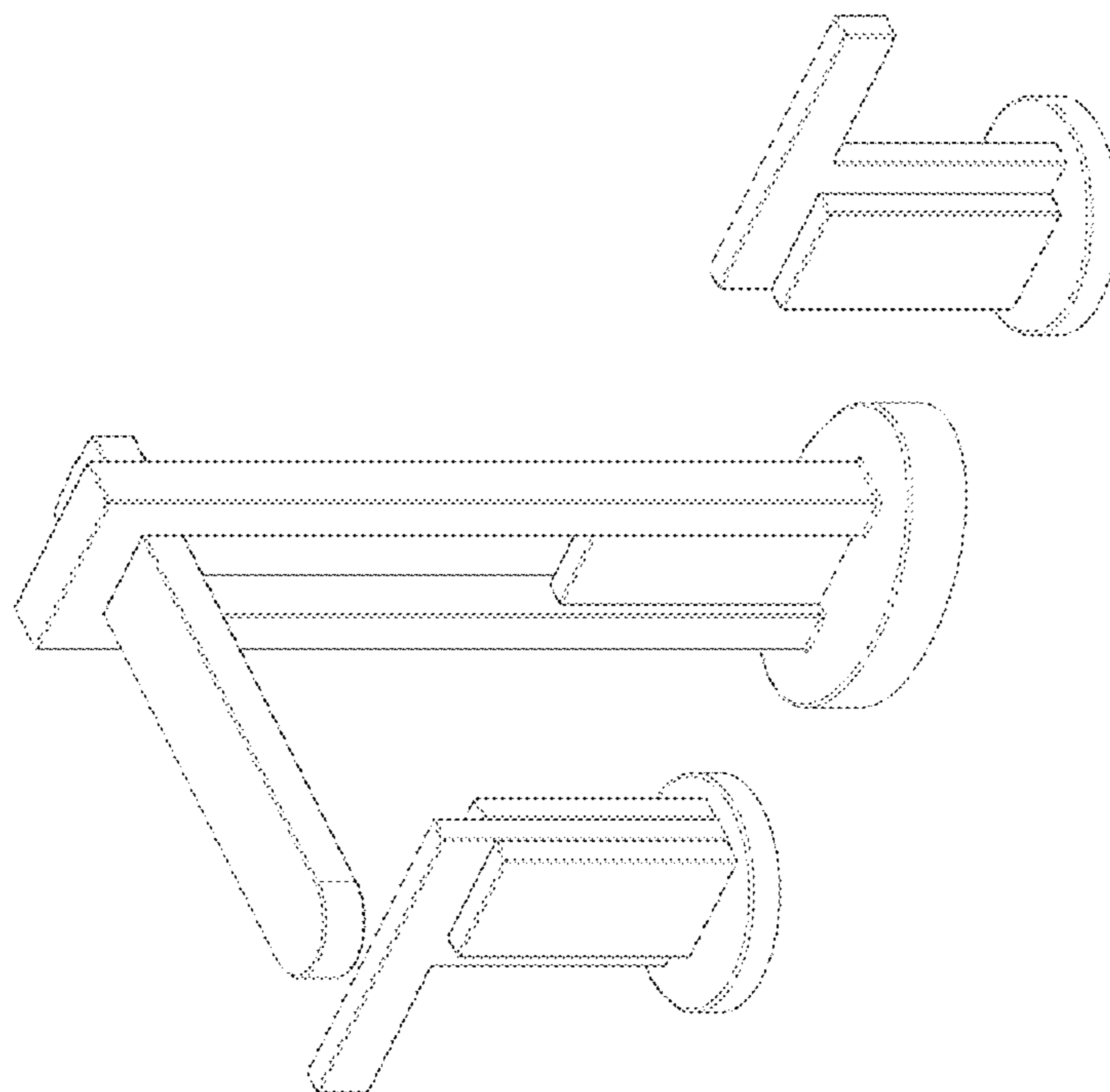


FIG. 1

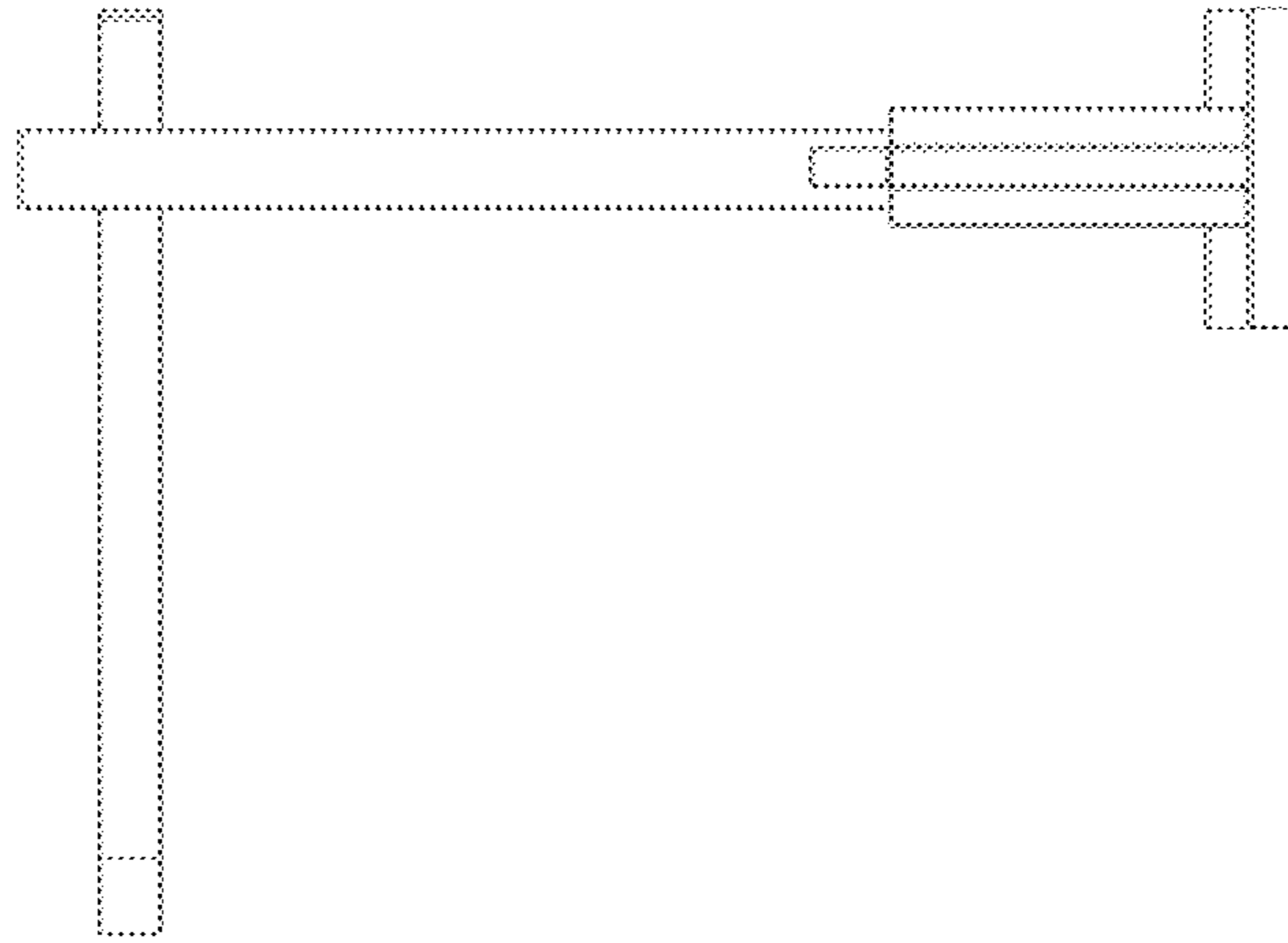


FIG. 4

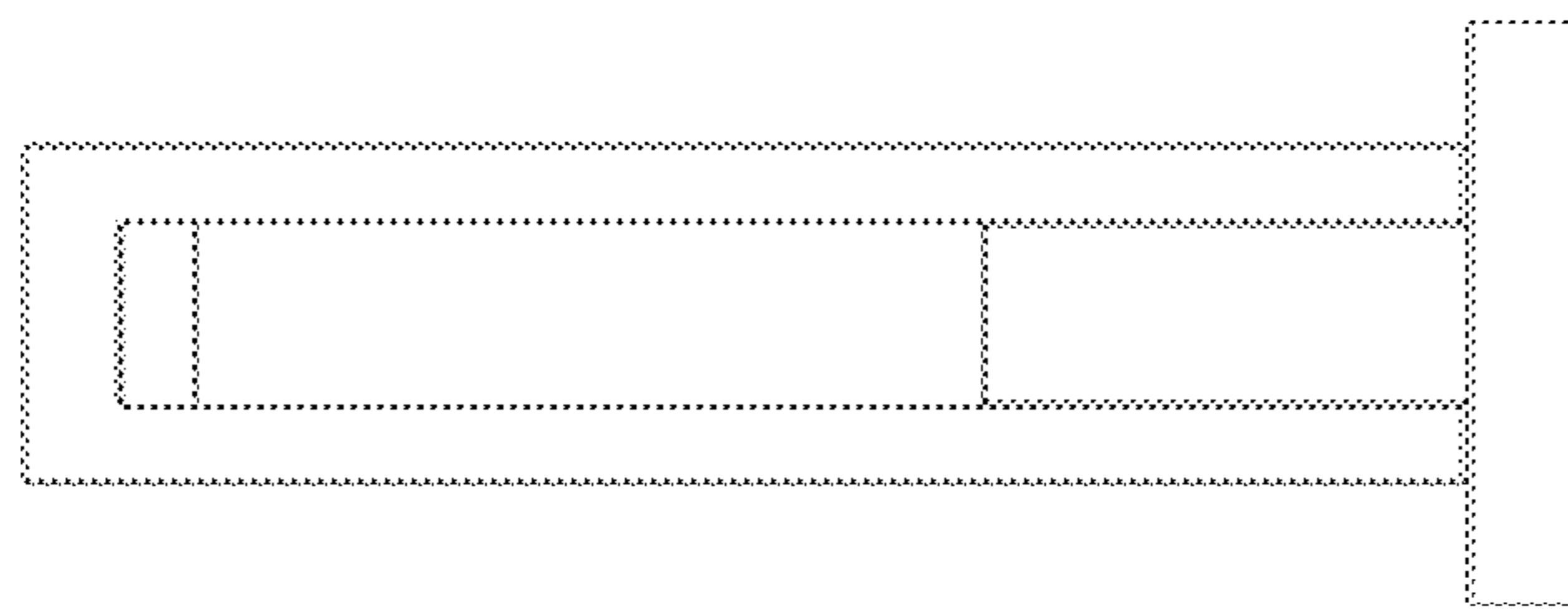
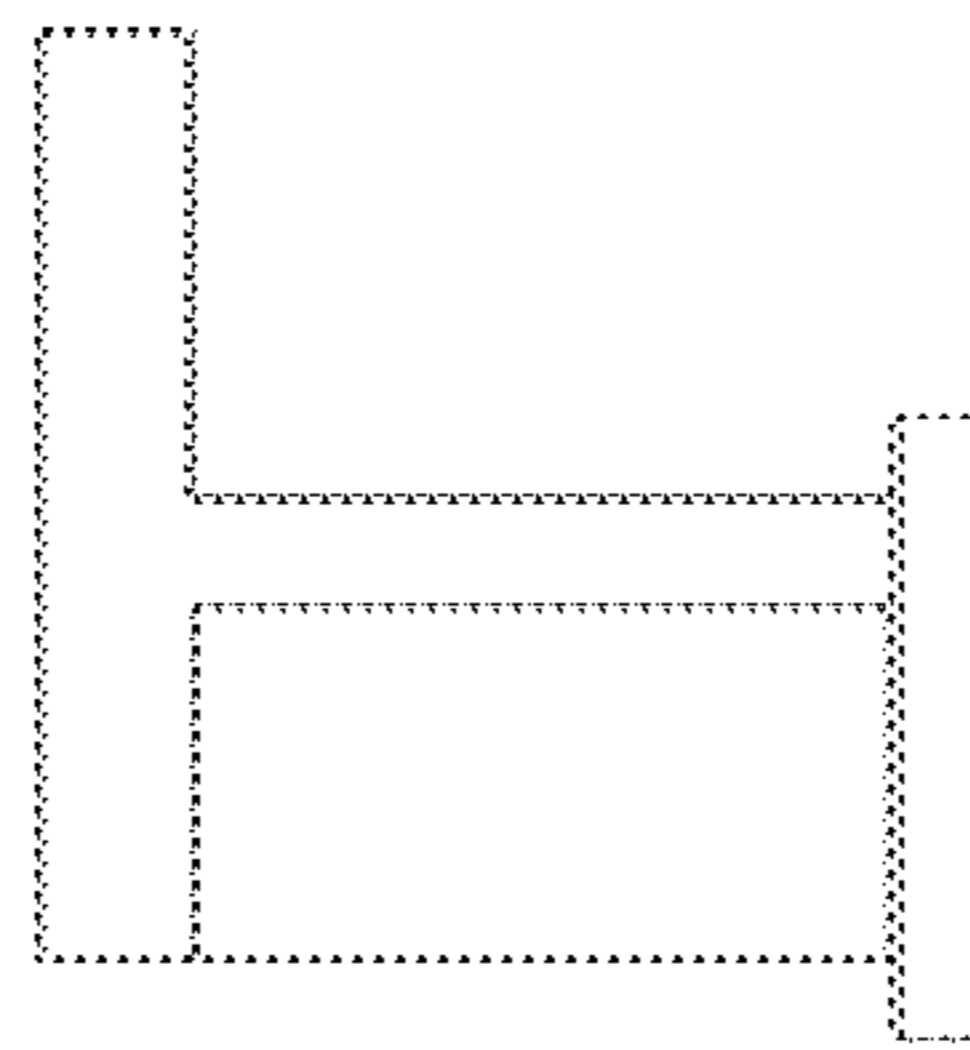
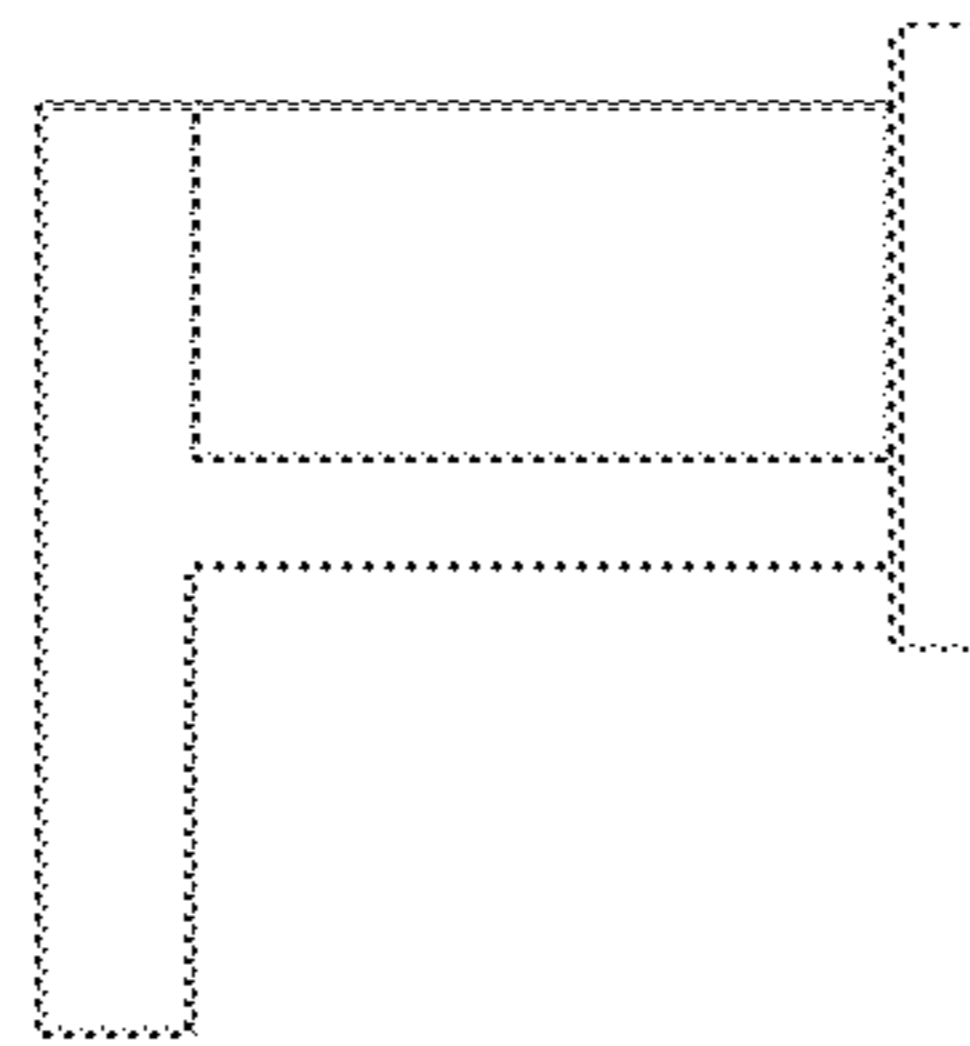


FIG. 6



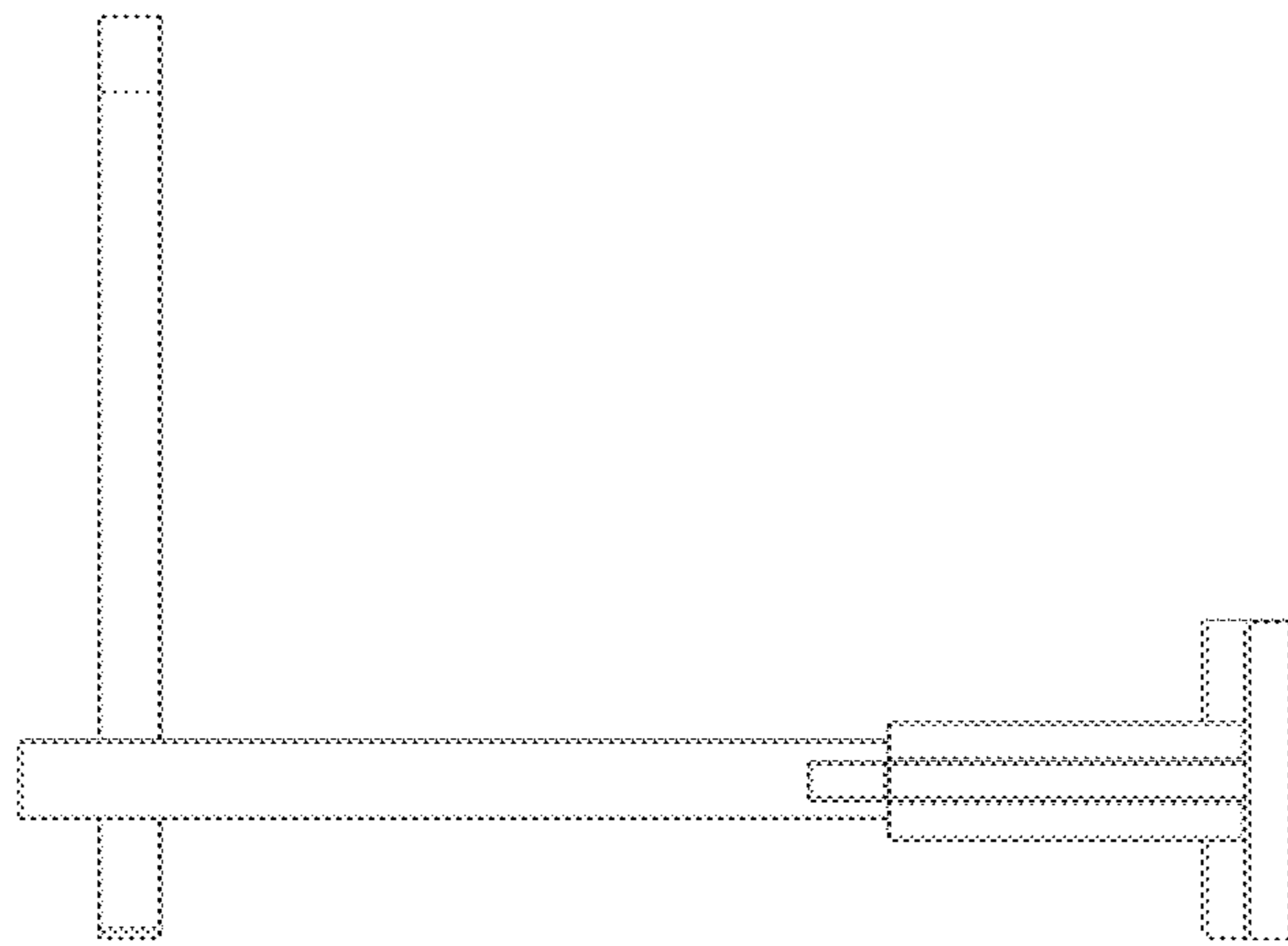


FIG. 8

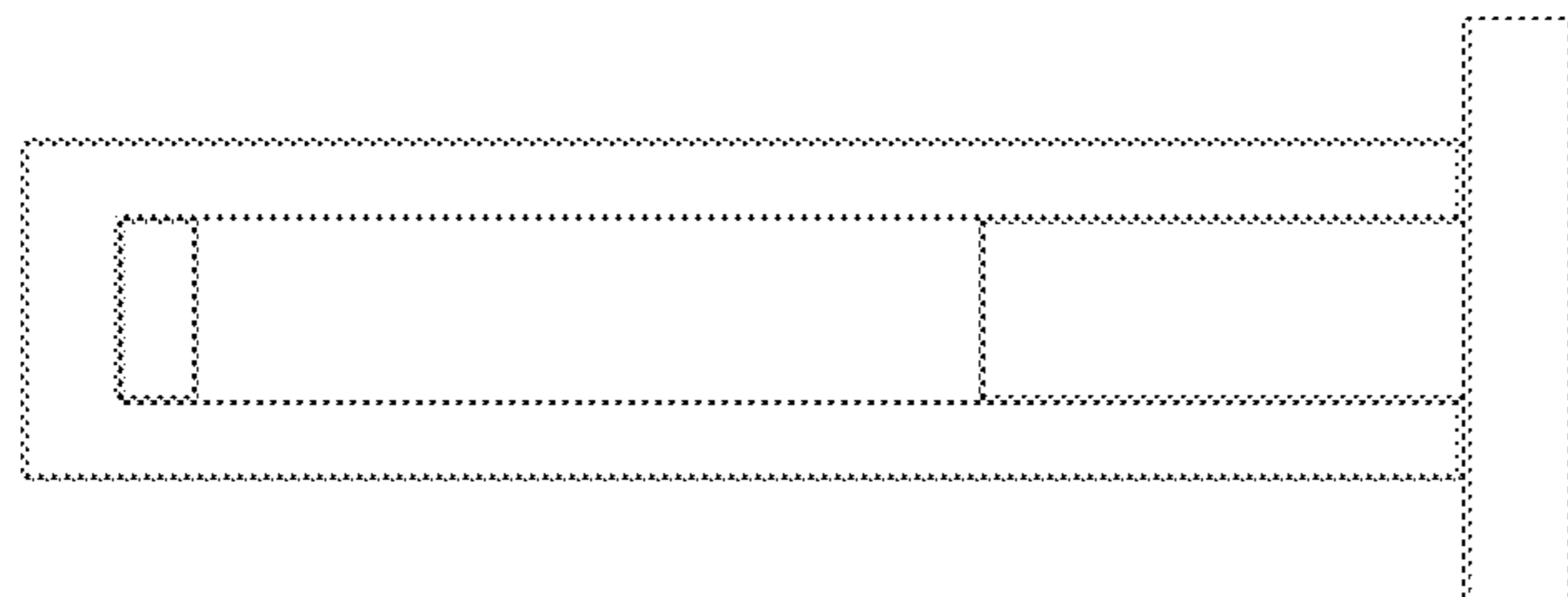
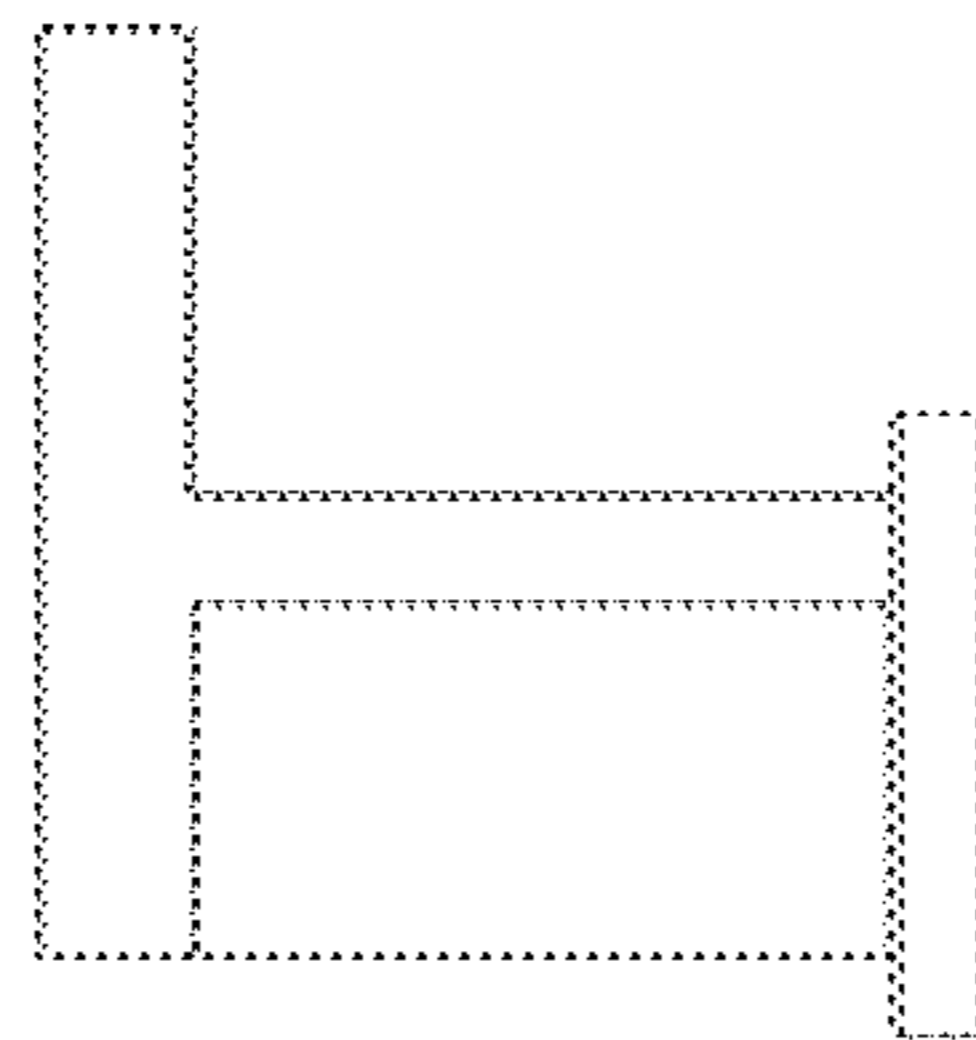
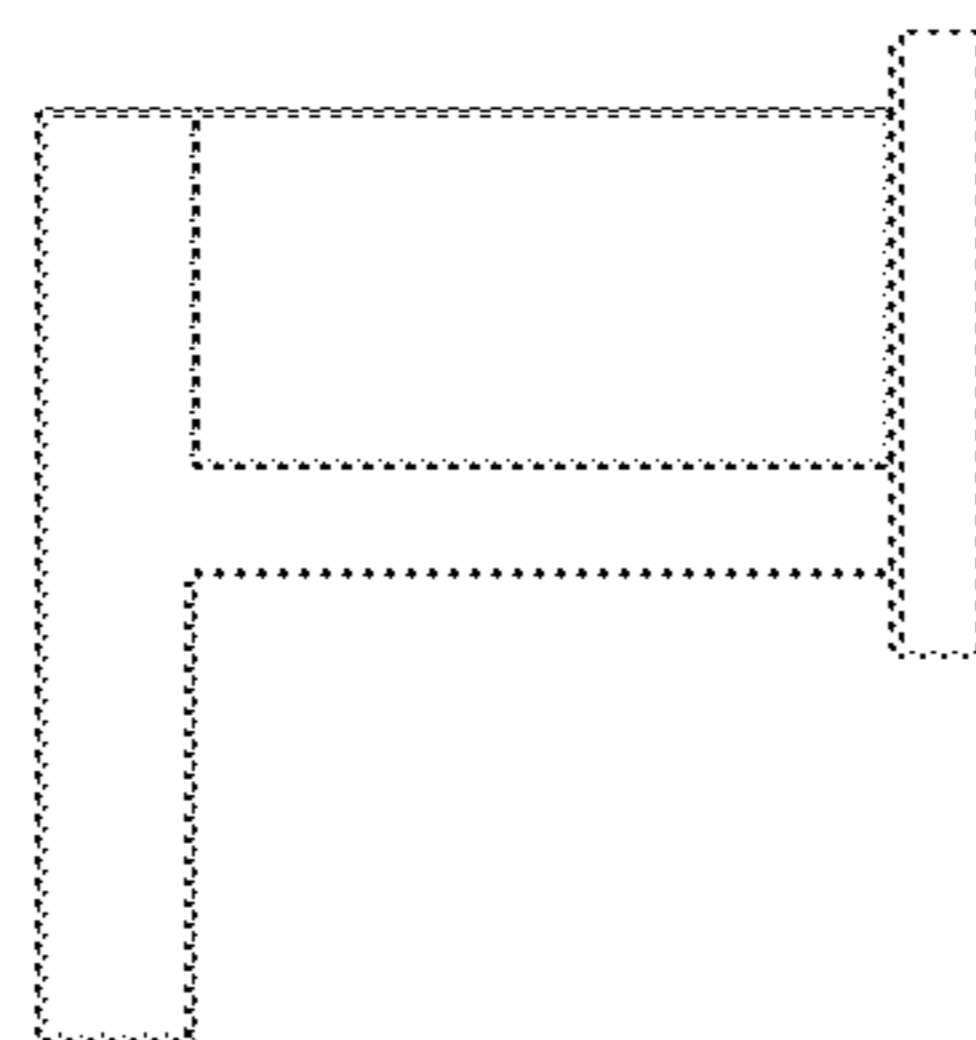


FIG. 10



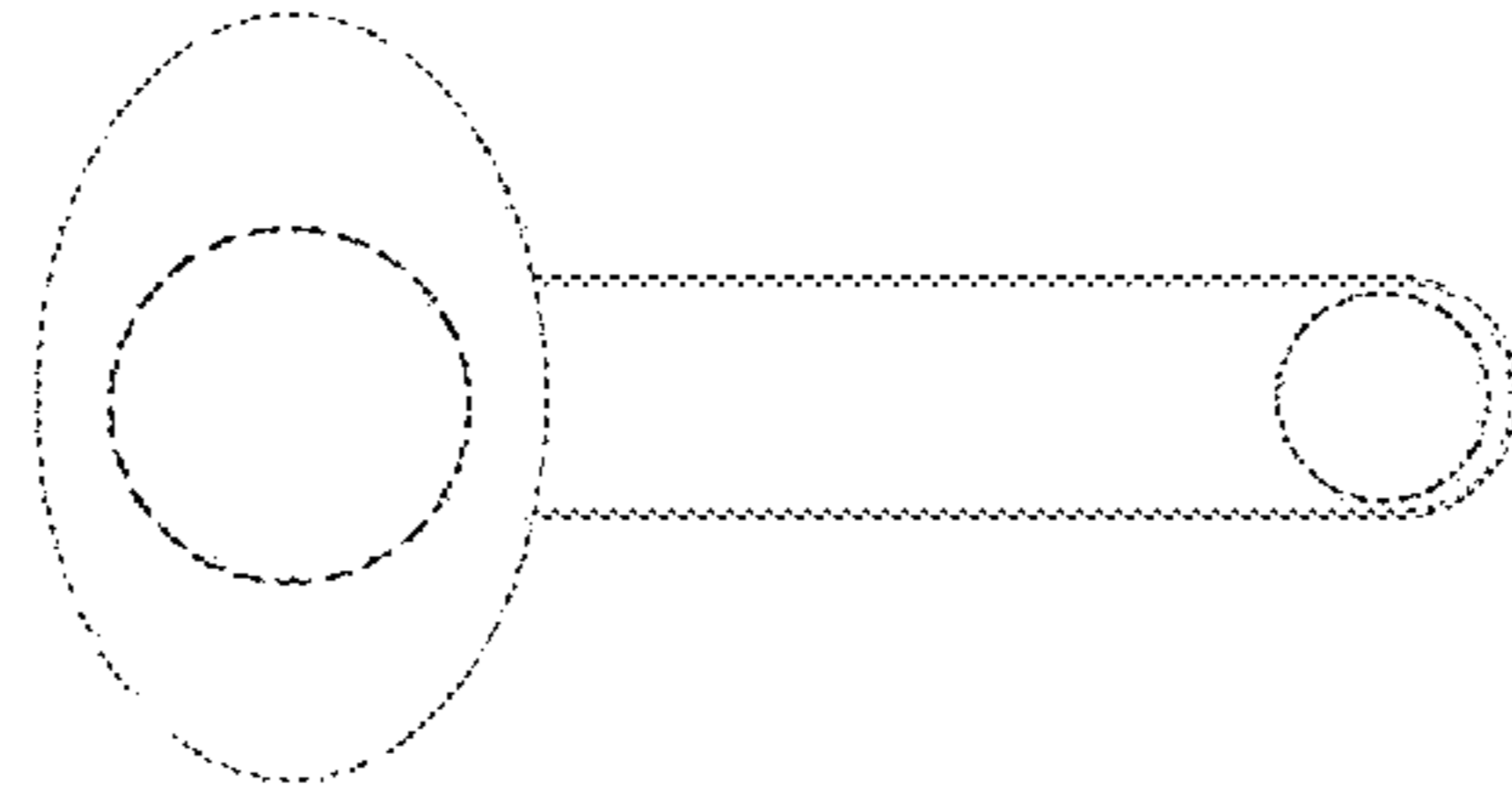
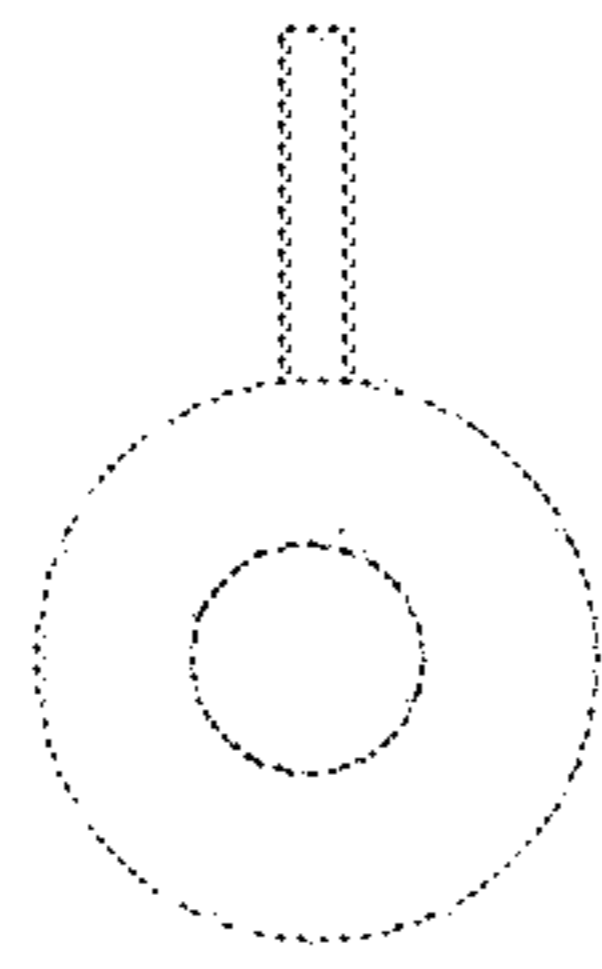


FIG. 6

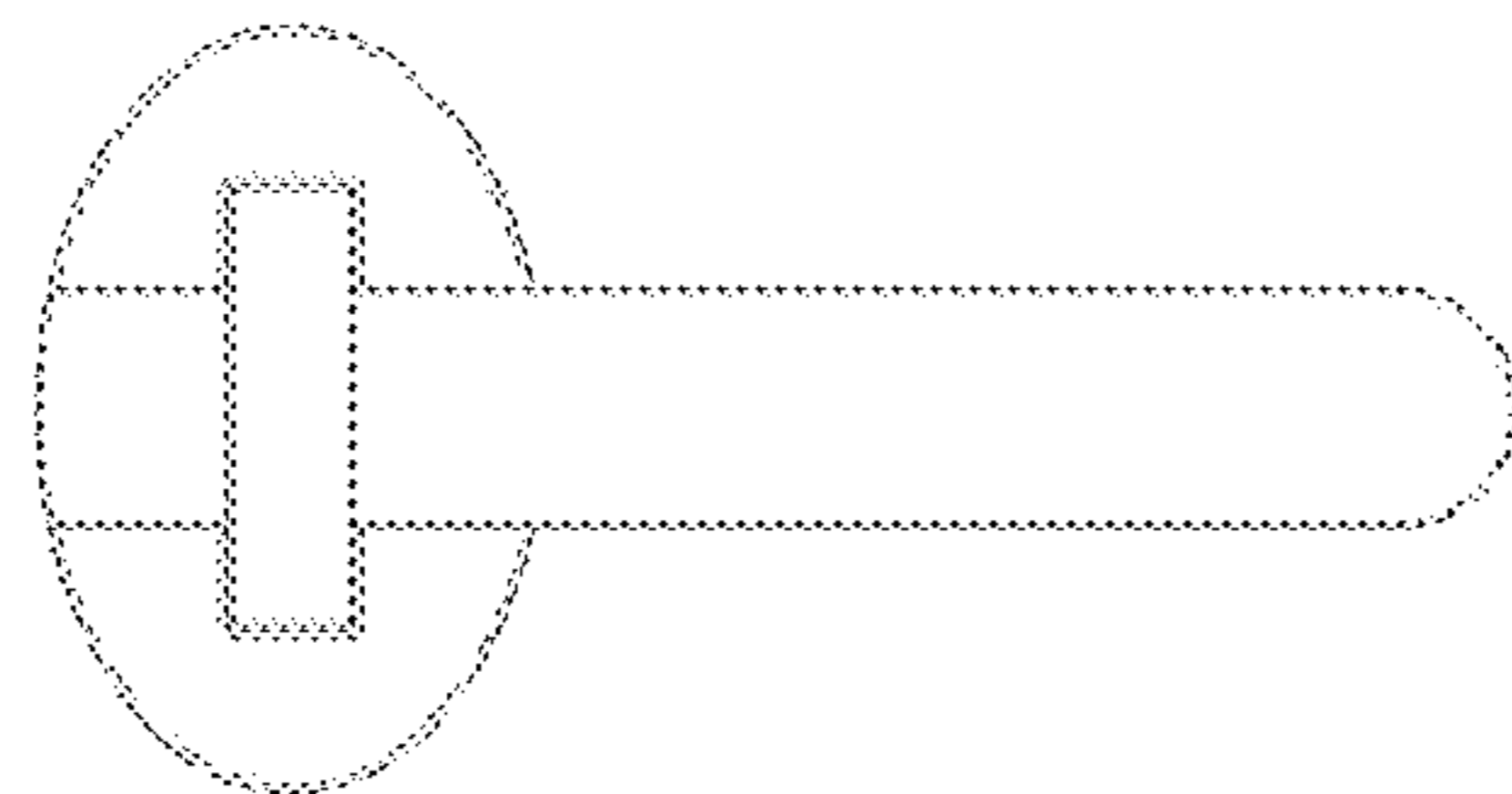
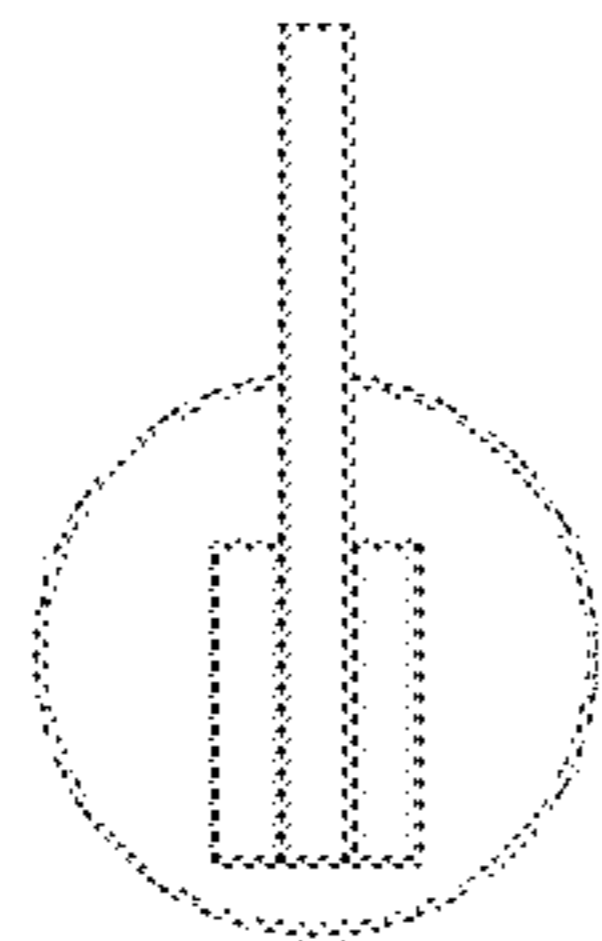
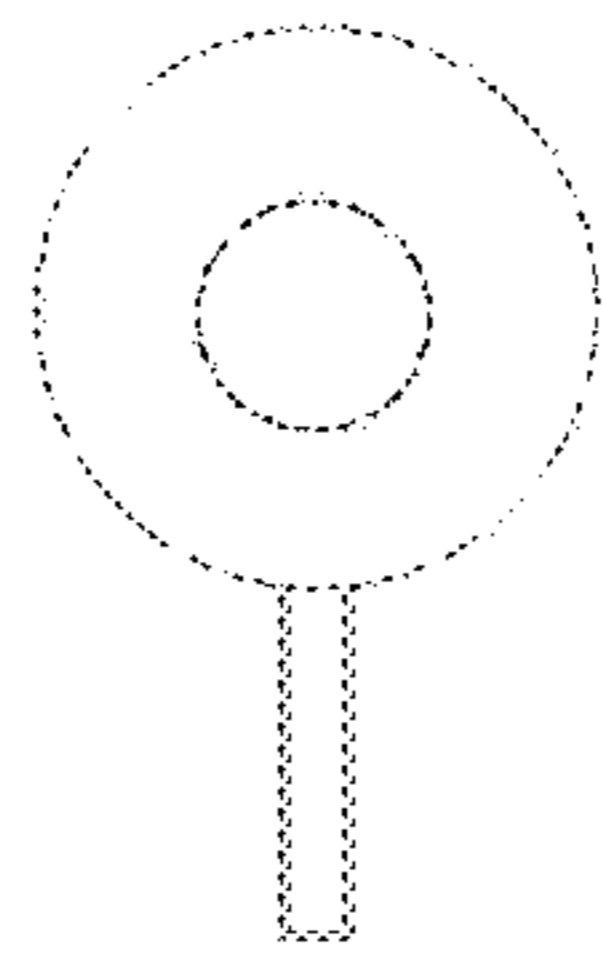


FIG. 7

