



US00D926938S

(12) **United States Design Patent**  
**Zeng**

(10) **Patent No.:** **US D926,938 S**

(45) **Date of Patent:** **\*\* \*Aug. 3, 2021**

(54) **FAUCET**

(71) Applicant: **Foshan Shunde Yajiasi Kitchen Cabinet Co., Ltd., Foshan (CN)**

(72) Inventor: **Deju Zeng, Foshan (CN)**

(\*) Notice: This patent is subject to a terminal disclaimer.

(\*\*) Term: **15 Years**

(21) Appl. No.: **29/703,486**

(22) Filed: **Aug. 27, 2019**

(51) **LOC (13) Cl.** ..... **23-01**

(52) **U.S. Cl.**  
USPC ..... **D23/242**

(58) **Field of Classification Search**  
USPC ..... D23/237, 238, 240–243, 249, 254, 255,  
D23/257; D6/524  
CPC ..... E03C 1/0401; E03C 1/04; E03C 1/0402;  
E03C 1/0404; Y10T 137/9464  
See application file for complete search history.

(56) **References Cited**

**U.S. PATENT DOCUMENTS**

D366,517 S \* 1/1996 Doughty ..... D23/242  
D368,302 S \* 3/1996 Doughty ..... D23/241  
D459,789 S \* 7/2002 Green ..... D23/241  
D460,525 S \* 7/2002 Green ..... D23/241

7,055,545 B2 \* 6/2006 Mascari ..... E03C 1/0401  
137/359  
D657,019 S \* 4/2012 Padgett ..... D23/242  
D667,089 S \* 9/2012 Kwok ..... D23/242  
D680,625 S \* 4/2013 Romero ..... D23/242  
D791,279 S \* 7/2017 Fritz ..... D23/242  
D797,248 S \* 9/2017 Schaubach ..... D23/242  
D865,125 S \* 10/2019 Zeng ..... D23/242  
D865,126 S \* 10/2019 Zeng ..... D23/242

\* cited by examiner

*Primary Examiner* — John A Voytek

(74) *Attorney, Agent, or Firm* — Novoclaims Patent Services LLC; Mei Lin Wong

(57) **CLAIM**

The ornamental design for a faucet, as shown and described.

**DESCRIPTION**

FIG. 1 is a front perspective view of a faucet, showing my new design;

FIG. 2 is a rear perspective view thereof;

FIG. 3 is a front view thereof;

FIG. 4 is a rear view thereof;

FIG. 5 is a left side view thereof;

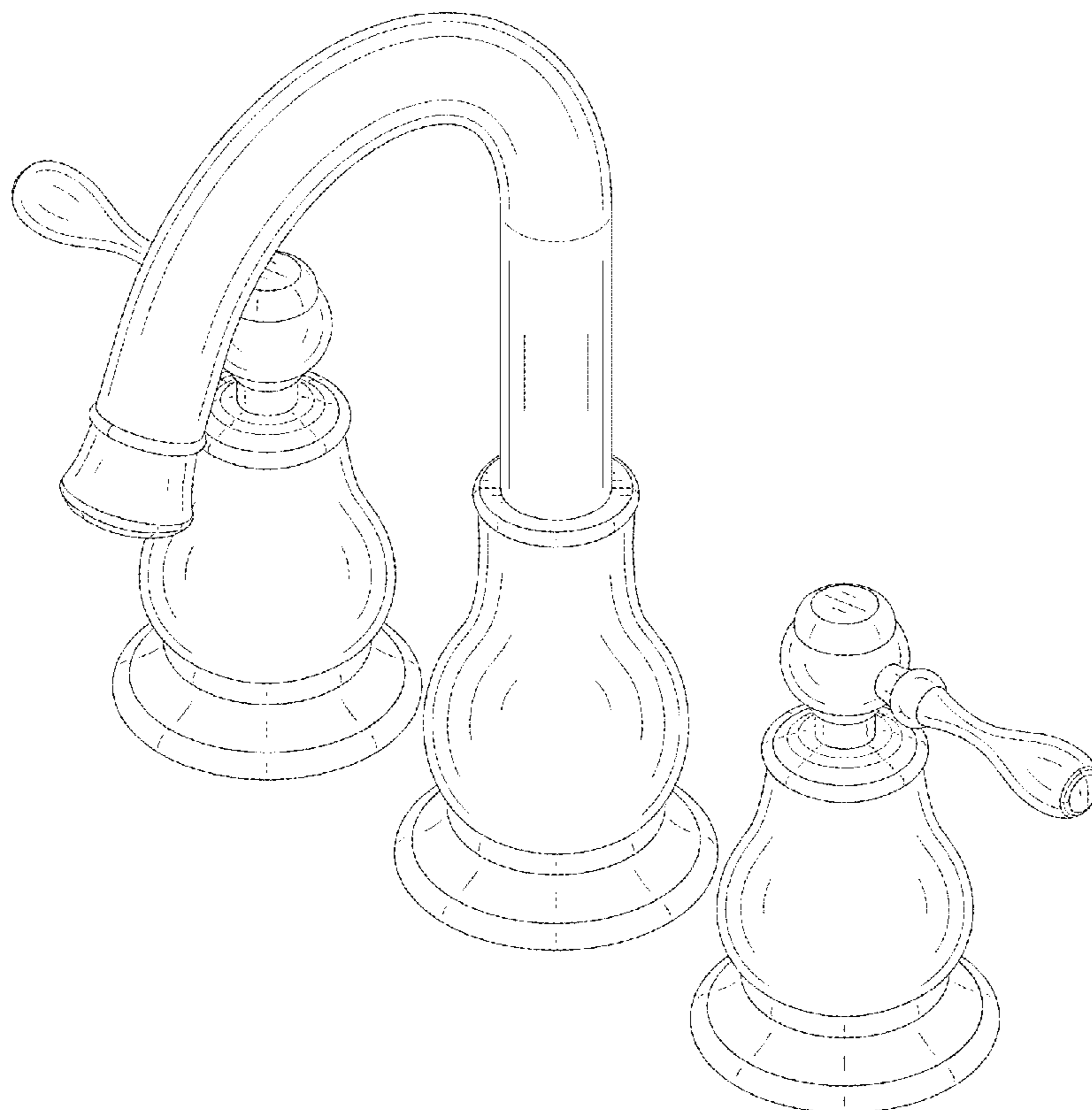
FIG. 6 is a right side view thereof;

FIG. 7 is a top view thereof; and,

FIG. 8 is a bottom view thereof.

The broken lines in the drawings depict portions of the faucet that form no part of the claimed design.

**1 Claim, 8 Drawing Sheets**



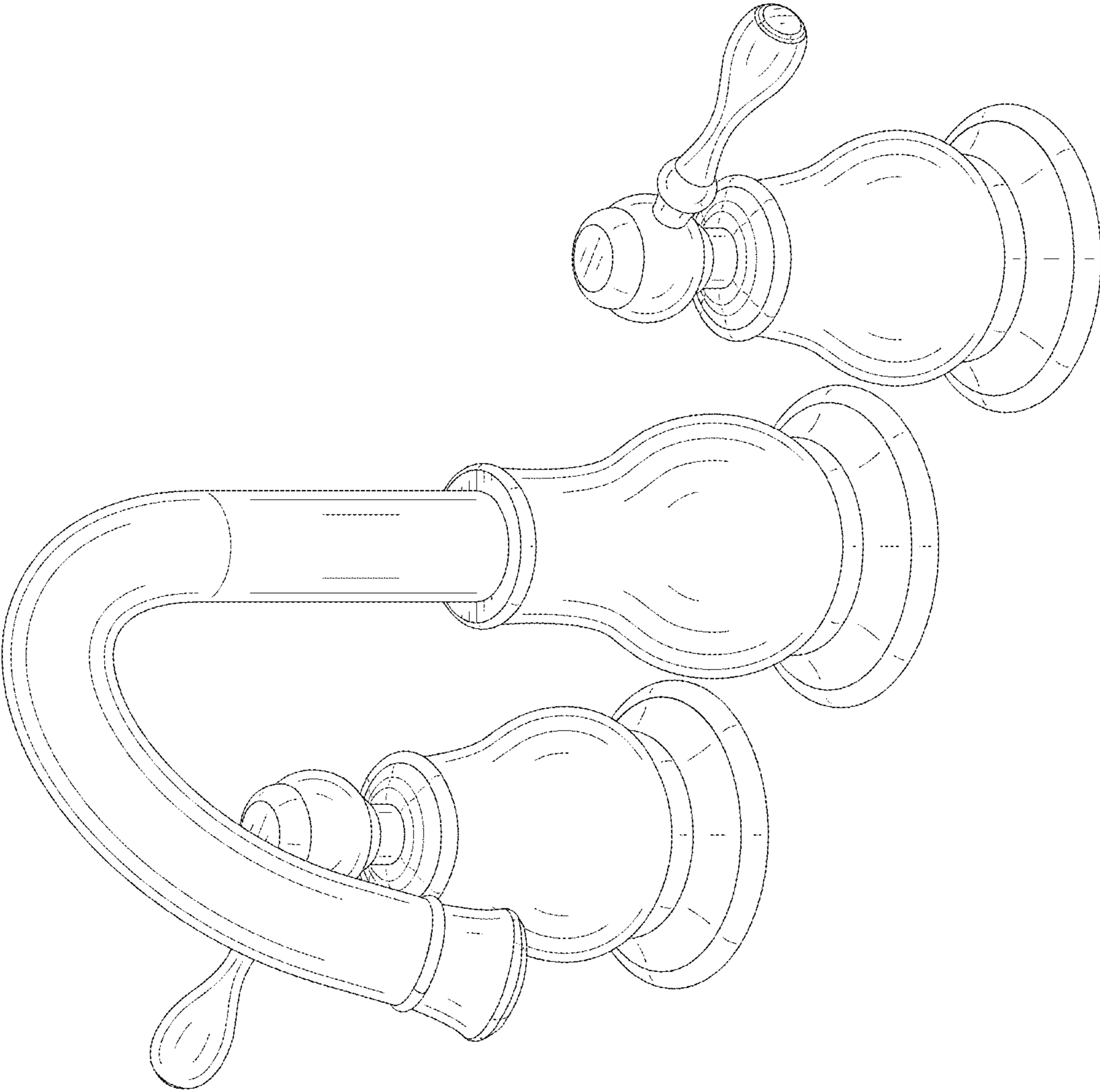


FIG.1

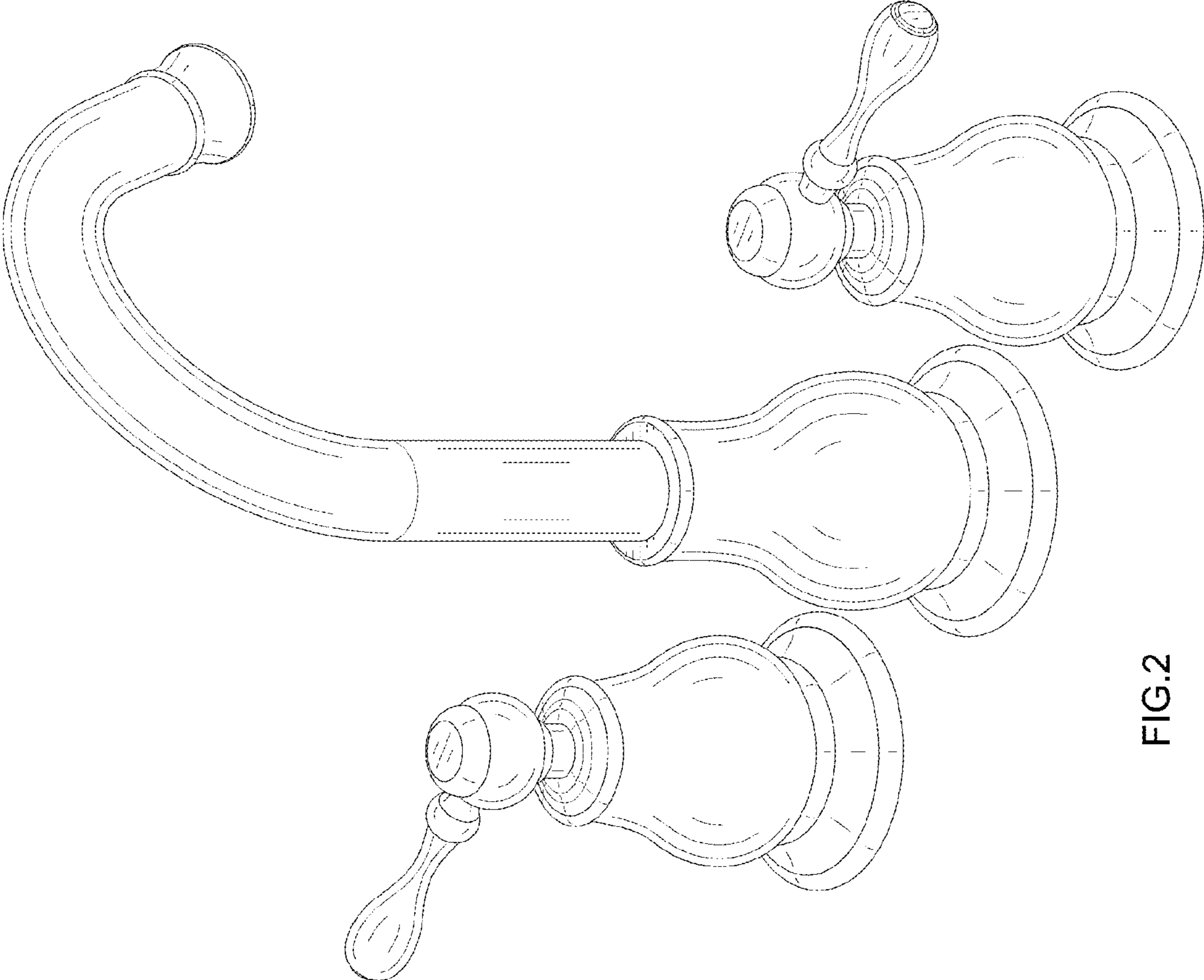


FIG.2

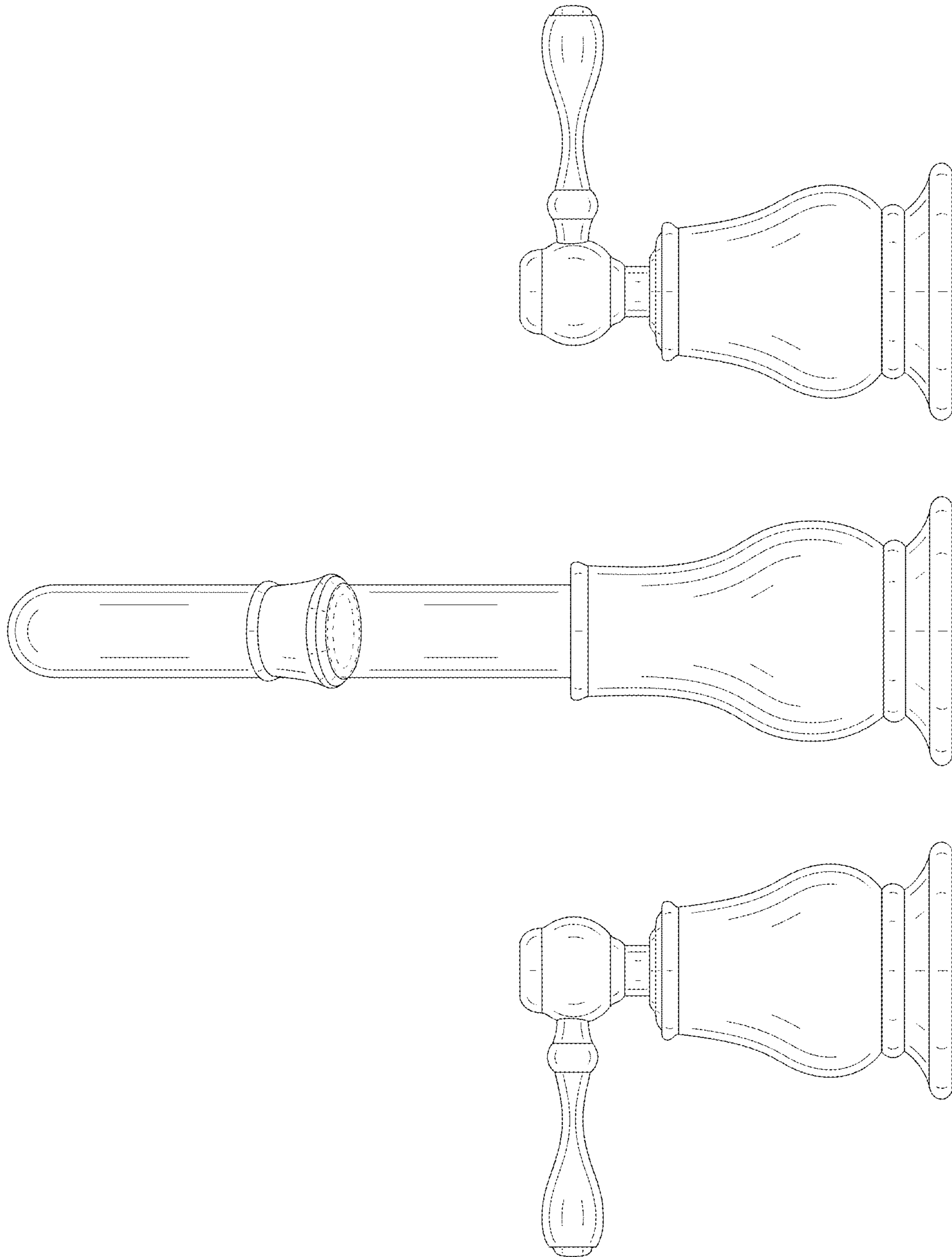


FIG.3

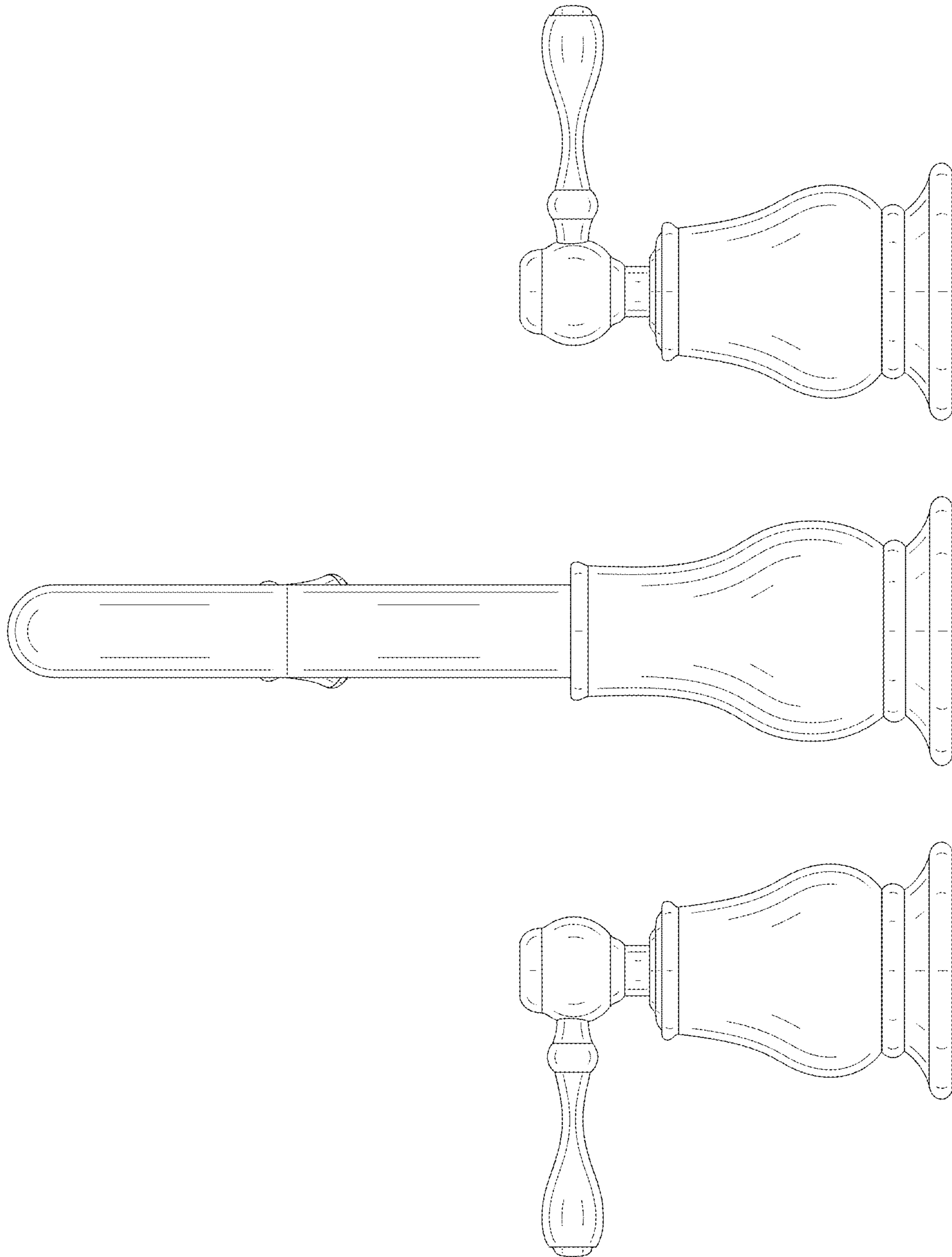


FIG.4



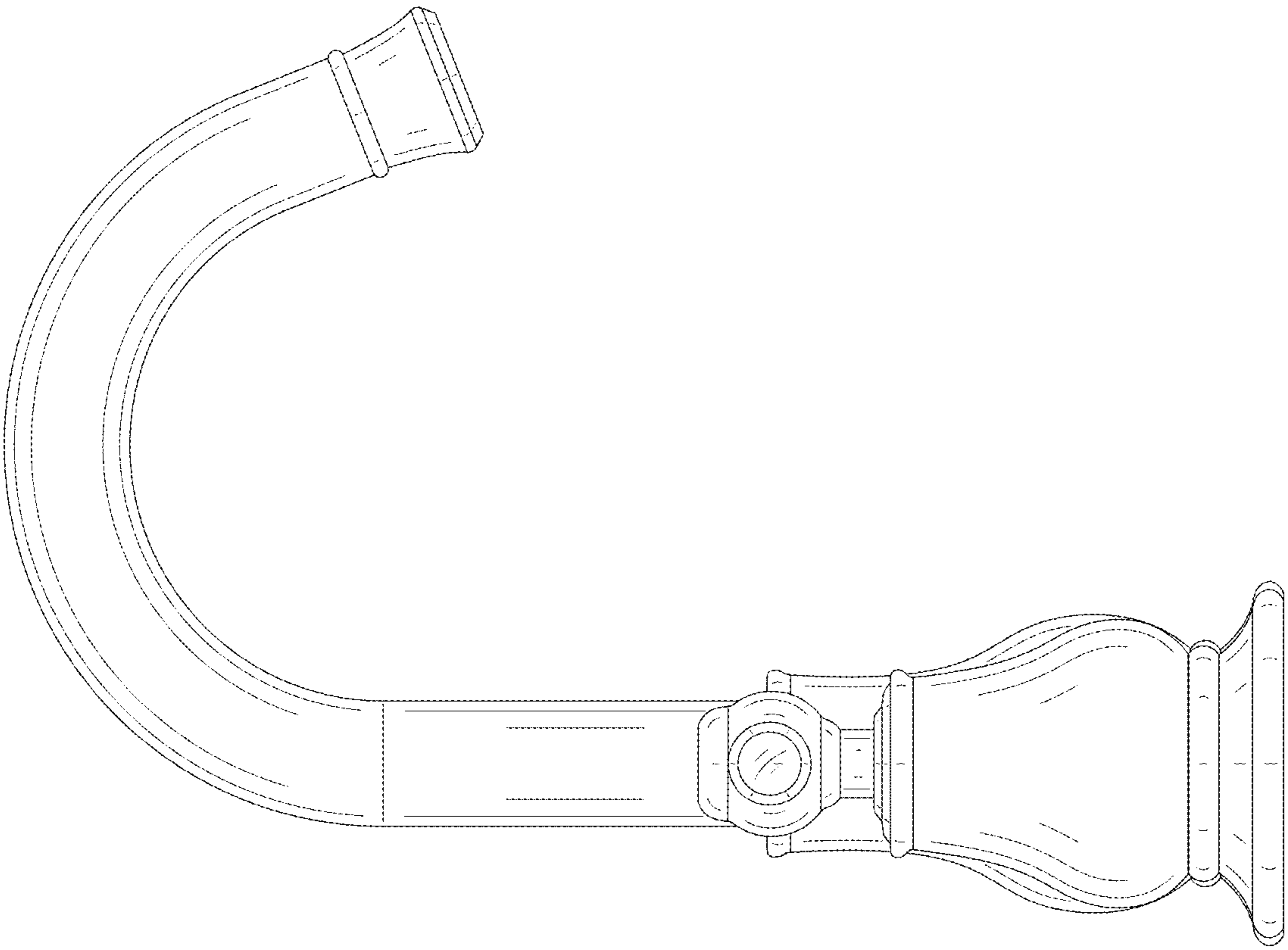


FIG.5

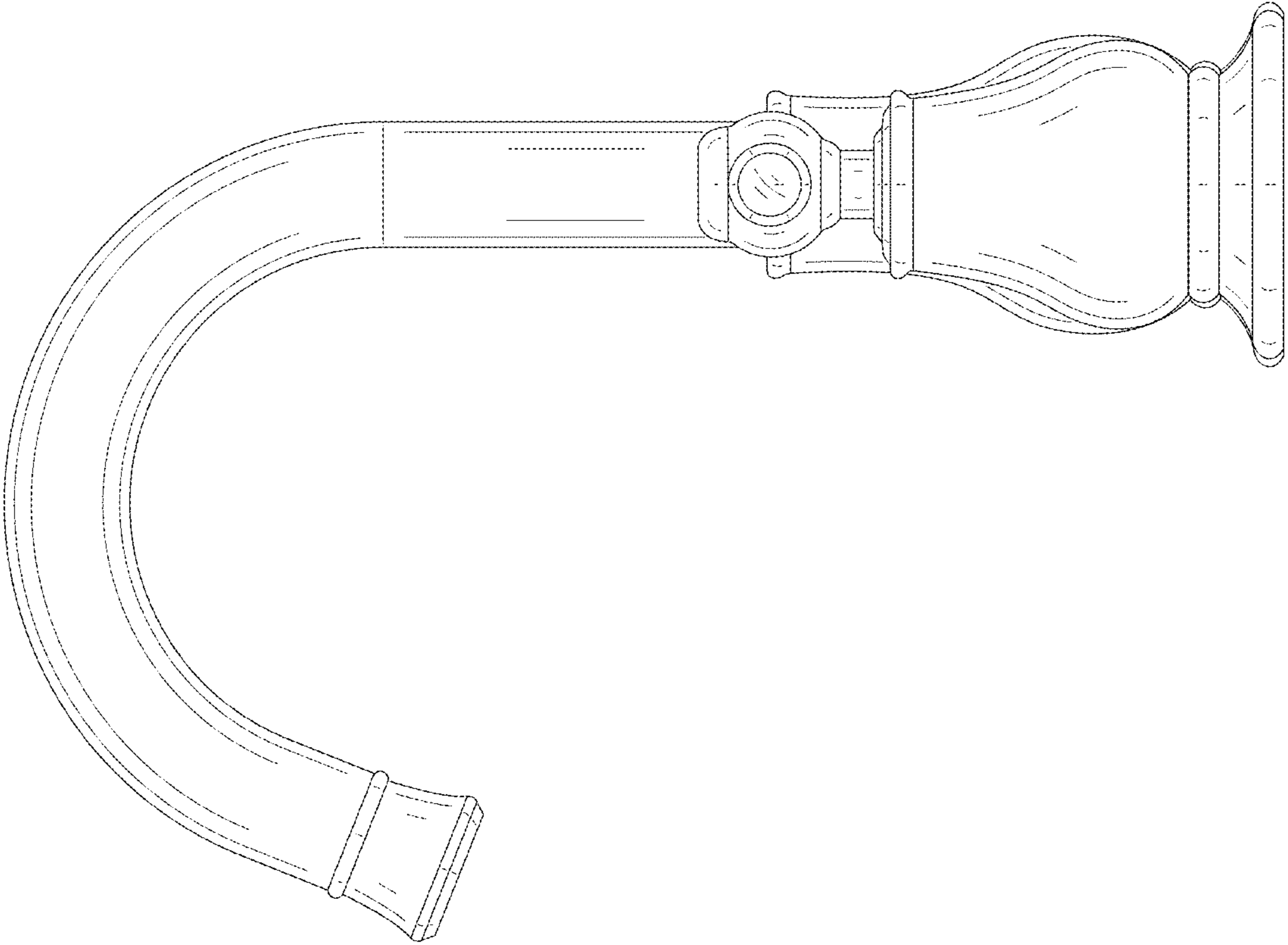


FIG.6

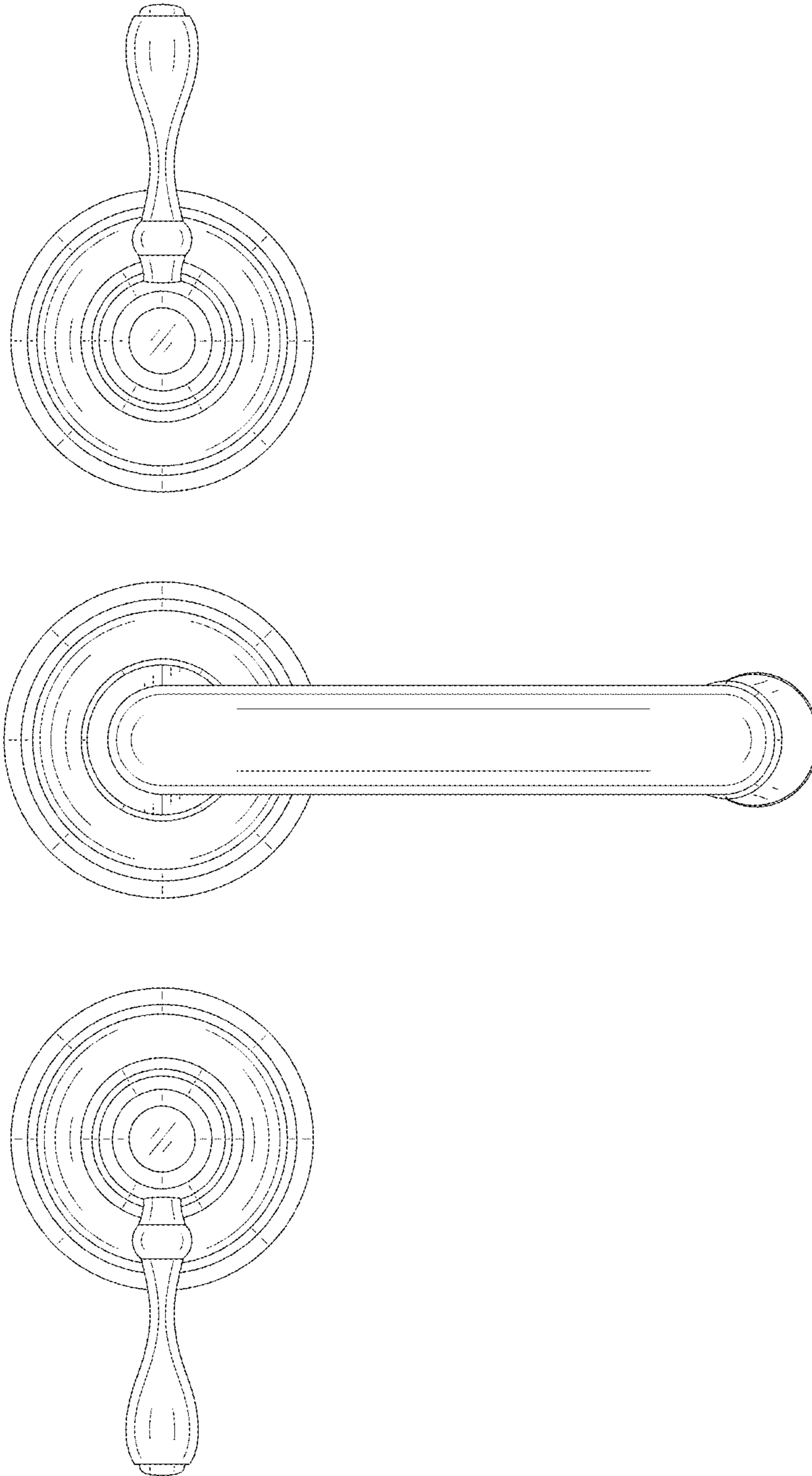


FIG.7



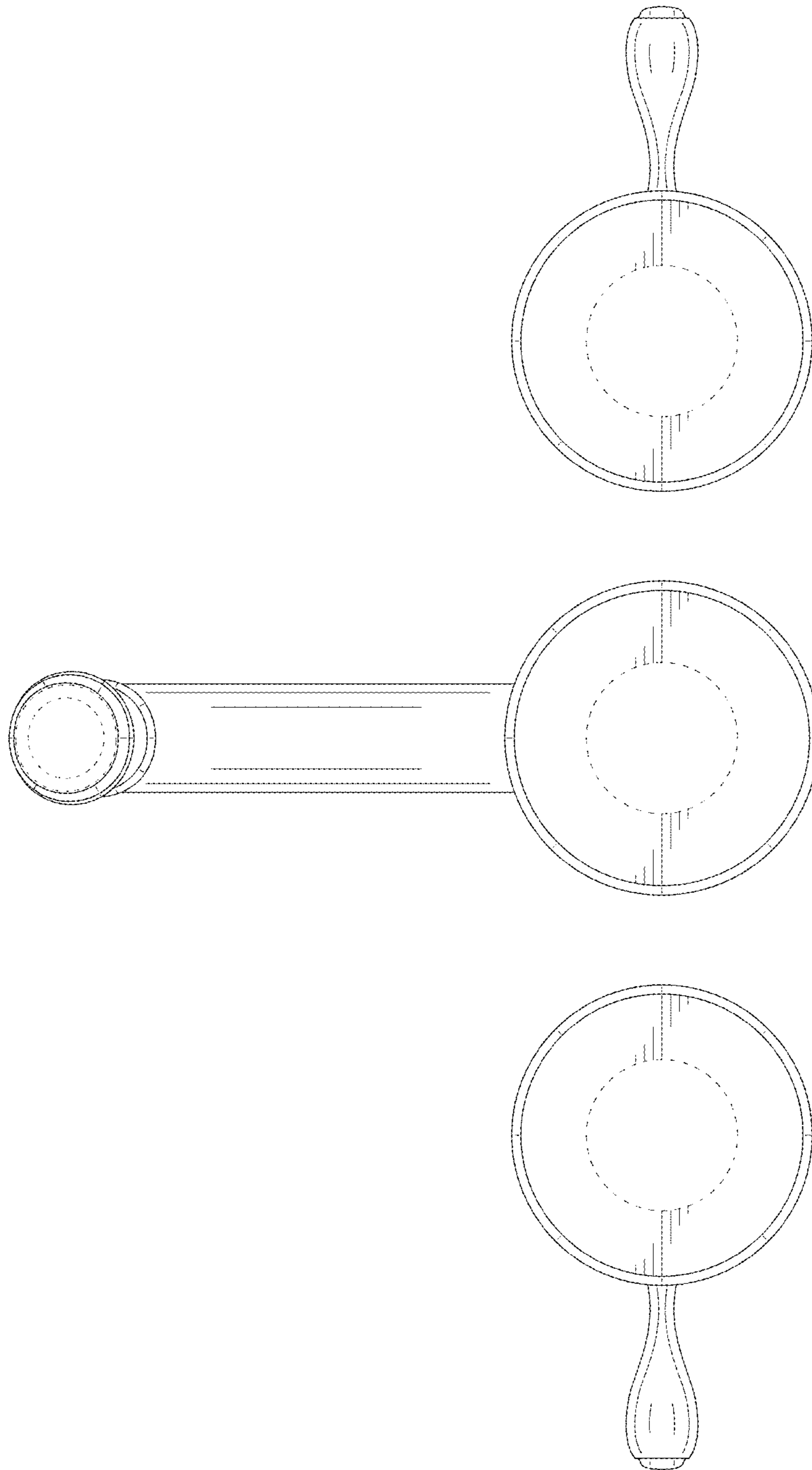


FIG.8