



US00D926933S

(12) **United States Design Patent** (10) **Patent No.:** **US D926,933 S**
Matsushita et al. (45) **Date of Patent:** **** Aug. 3, 2021**

(54) **RESIDUAL PRESSURE RELEASE VALVE**

(56) **References Cited**

(71) Applicant: **SMC CORPORATION**, Tokyo (JP)

U.S. PATENT DOCUMENTS

(72) Inventors: **Kazuhiro Matsushita**, Moriya (JP);
Tomokazu Ueno, Tsukubamirai (JP)

D700,286 S	2/2014	Okitsu et al.
9,334,975 B2	5/2016	Okitsu et al.
D796,007 S	8/2017	Ueno et al.
D796,008 S	8/2017	Ueno et al.
D801,481 S	10/2017	Ueno et al.
2014/0224355 A1	8/2014	Okitsu et al.

(73) Assignee: **SMC CORPORATION**, Tokyo (JP)

(**) Term: **15 Years**

FOREIGN PATENT DOCUMENTS

(21) Appl. No.: **29/779,660**

JP	2006-258181 A	9/2006
JP	1448348 S	8/2012

(22) Filed: **Apr. 20, 2021**

Primary Examiner — Gino Colan

(74) *Attorney, Agent, or Firm* — Birch, Stewart, Kolasch & Birch, LLP

Related U.S. Application Data

(62) Division of application No. 29/682,893, filed on Mar. 8, 2019.

(57) **CLAIM**

The ornamental design for a residual pressure release valve, as shown and described.

Foreign Application Priority Data

(30) Sep. 28, 2018 (CN) 201830547784.9

(51) **LOC (13) Cl.** **23-01**

(52) **U.S. Cl.**
USPC **D23/235**

(58) **Field of Classification Search**
USPC D23/233, 235; 251/205, 208, 215, 309,
251/310, 312, 62, 63, 63.5, 129.01,
251/129.18, 904
CPC F16K 24/04; F16K 15/063; F16K 17/04;
F16K 7/17

See application file for complete search history.

DESCRIPTION

FIG. 1 is a front, top and left side perspective view of a residual pressure release valve showing our new design; FIG. 2 is a rear, bottom and right side perspective view thereof; FIG. 3 is a front view thereof; FIG. 4 is a rear view thereof; FIG. 5 is a top plan view thereof; FIG. 6 is a bottom plan view thereof; FIG. 7 is a left side view thereof; and, FIG. 8 is a right side view thereof. The broken lines depict portions of the residual pressure release valve that form no part of the claimed design.

1 Claim, 8 Drawing Sheets

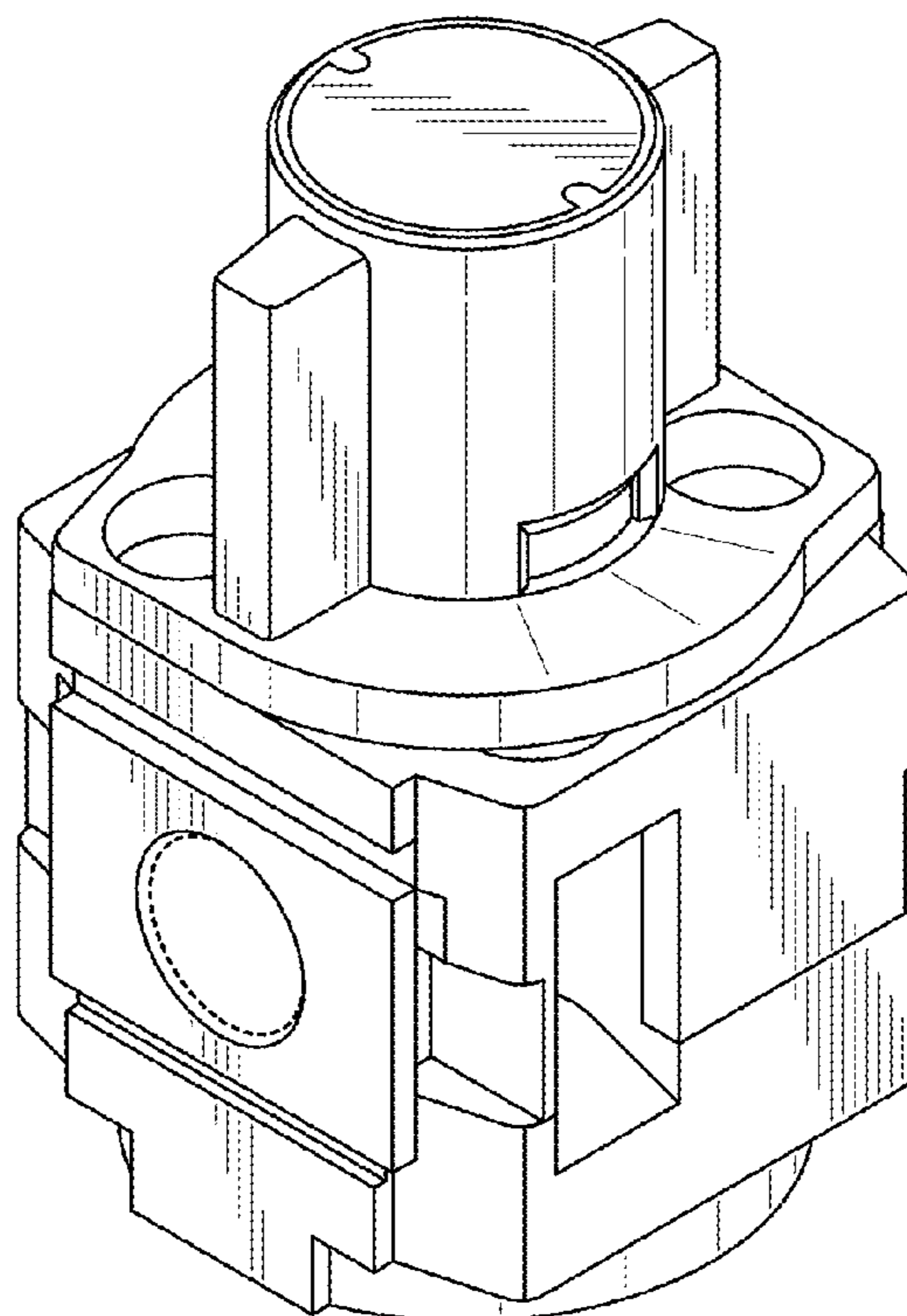


FIG. 1

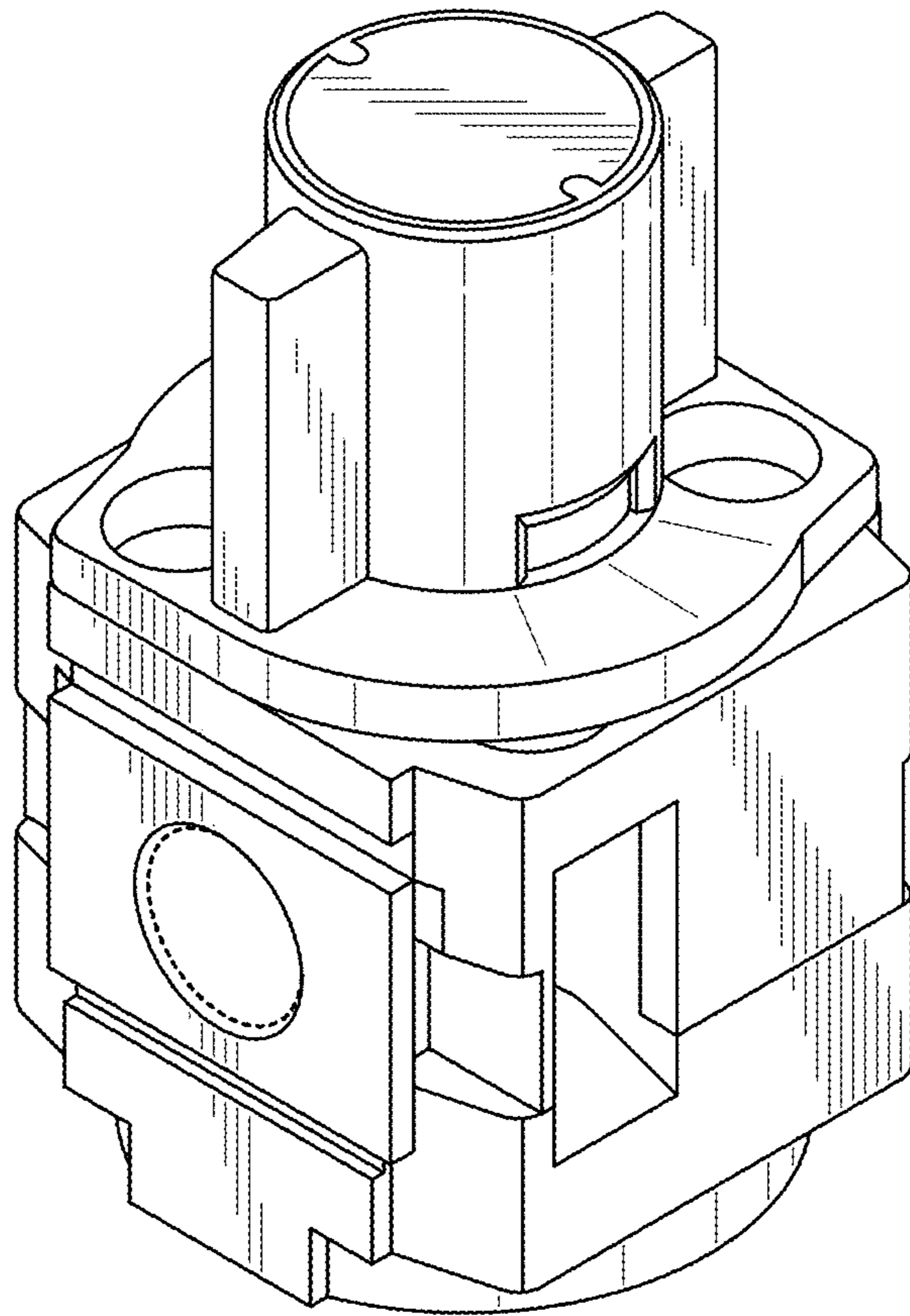


FIG. 2

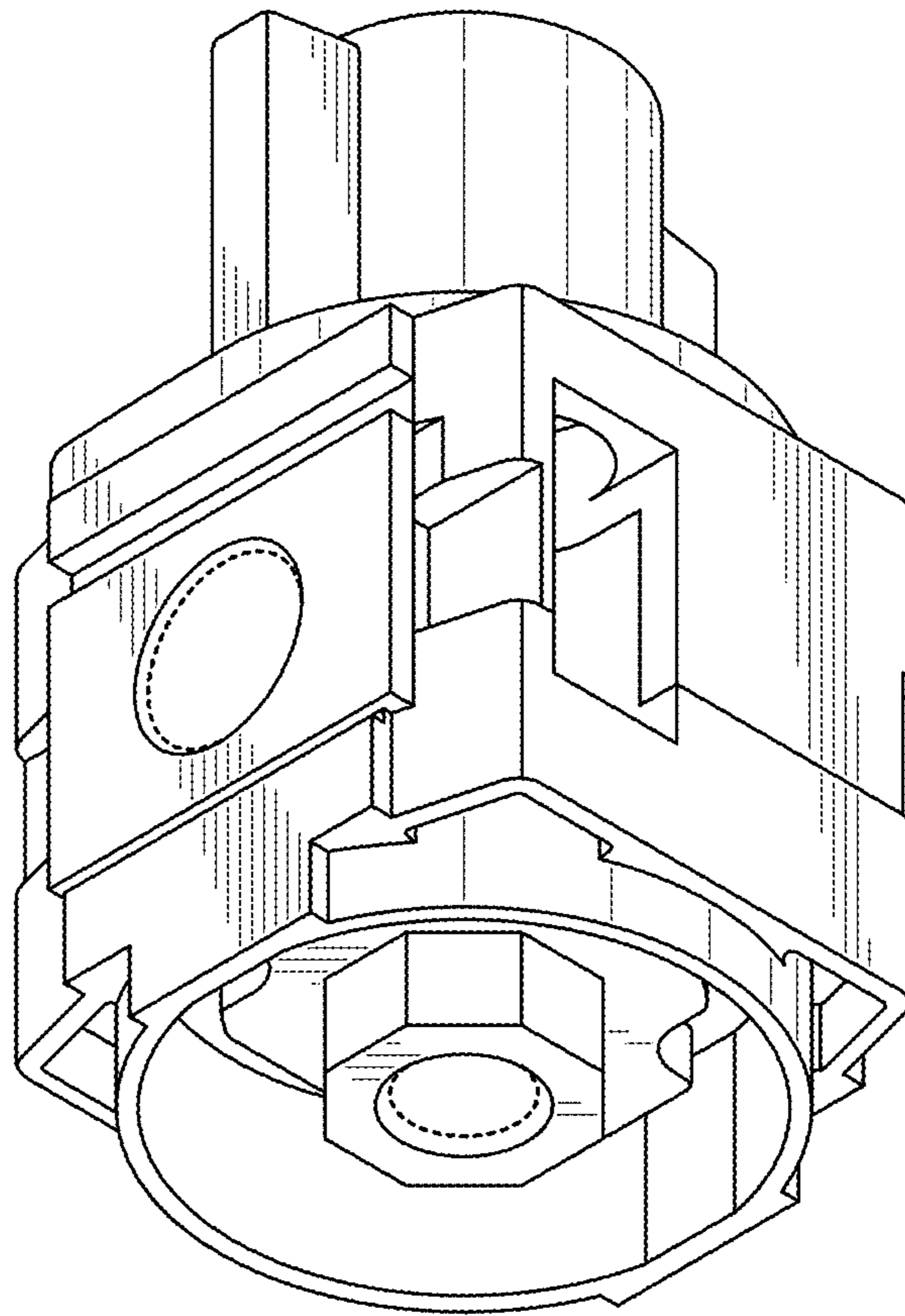


FIG. 3

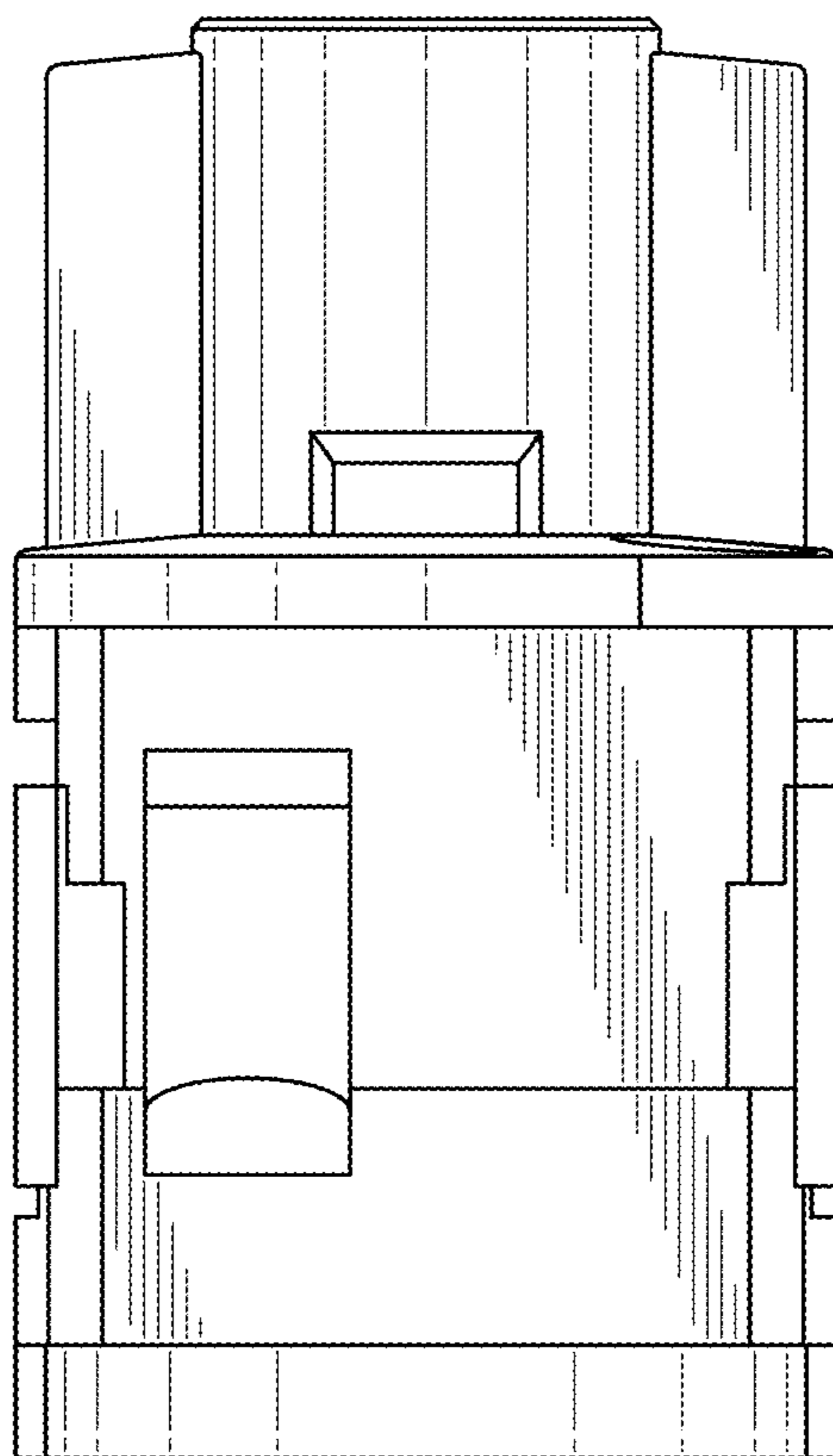


FIG. 4

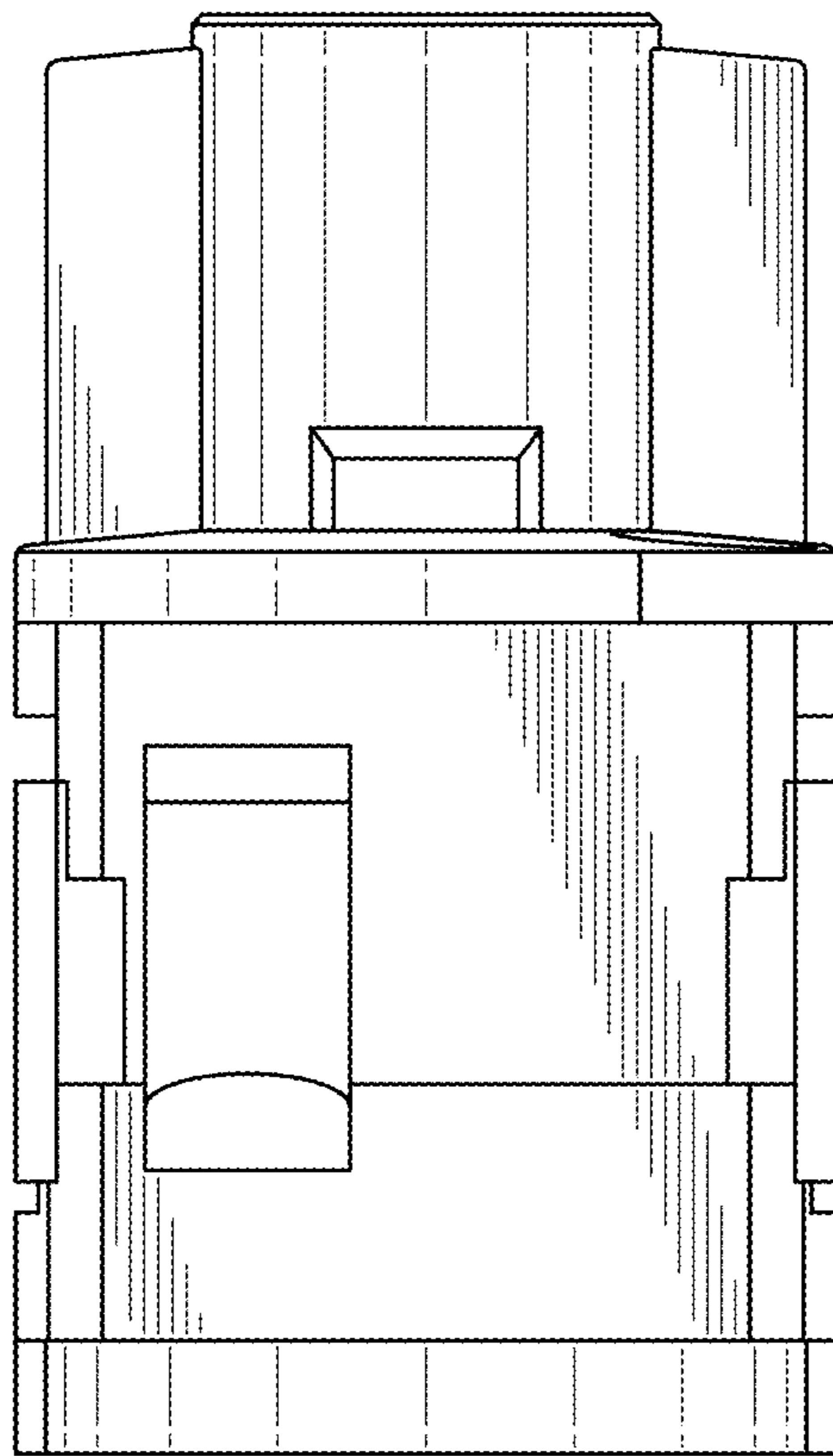


FIG. 5

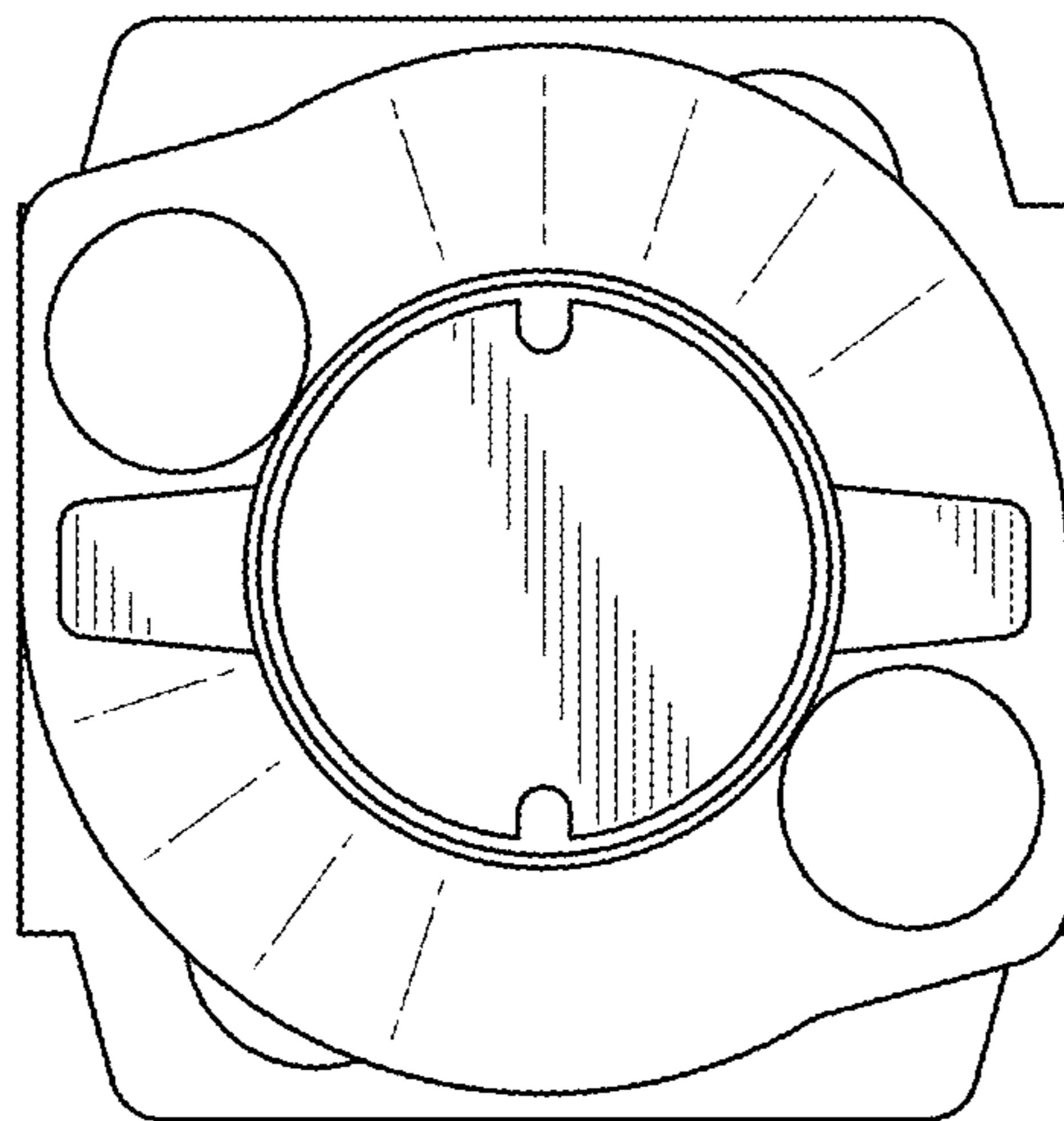


FIG. 6

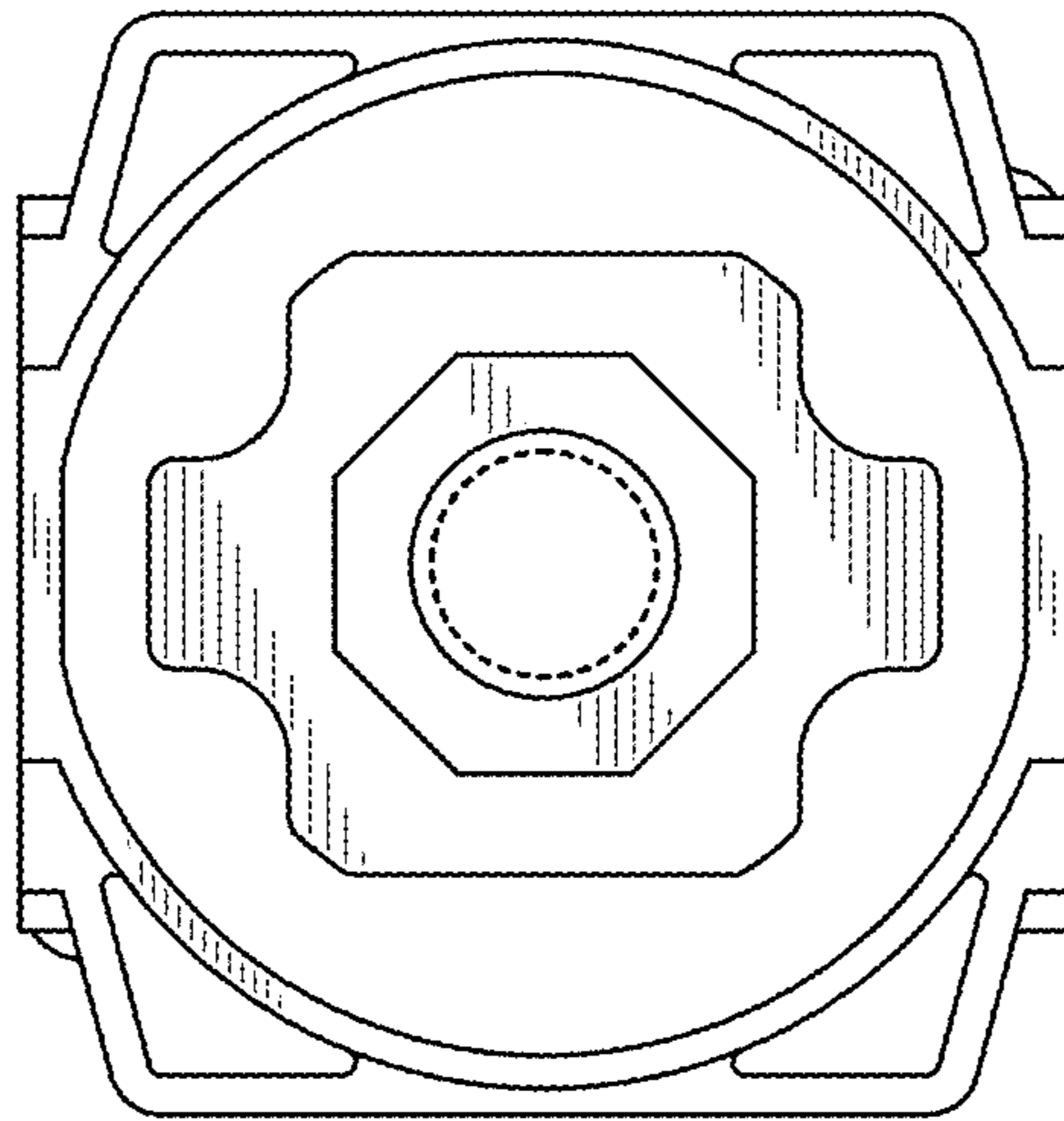


FIG. 7

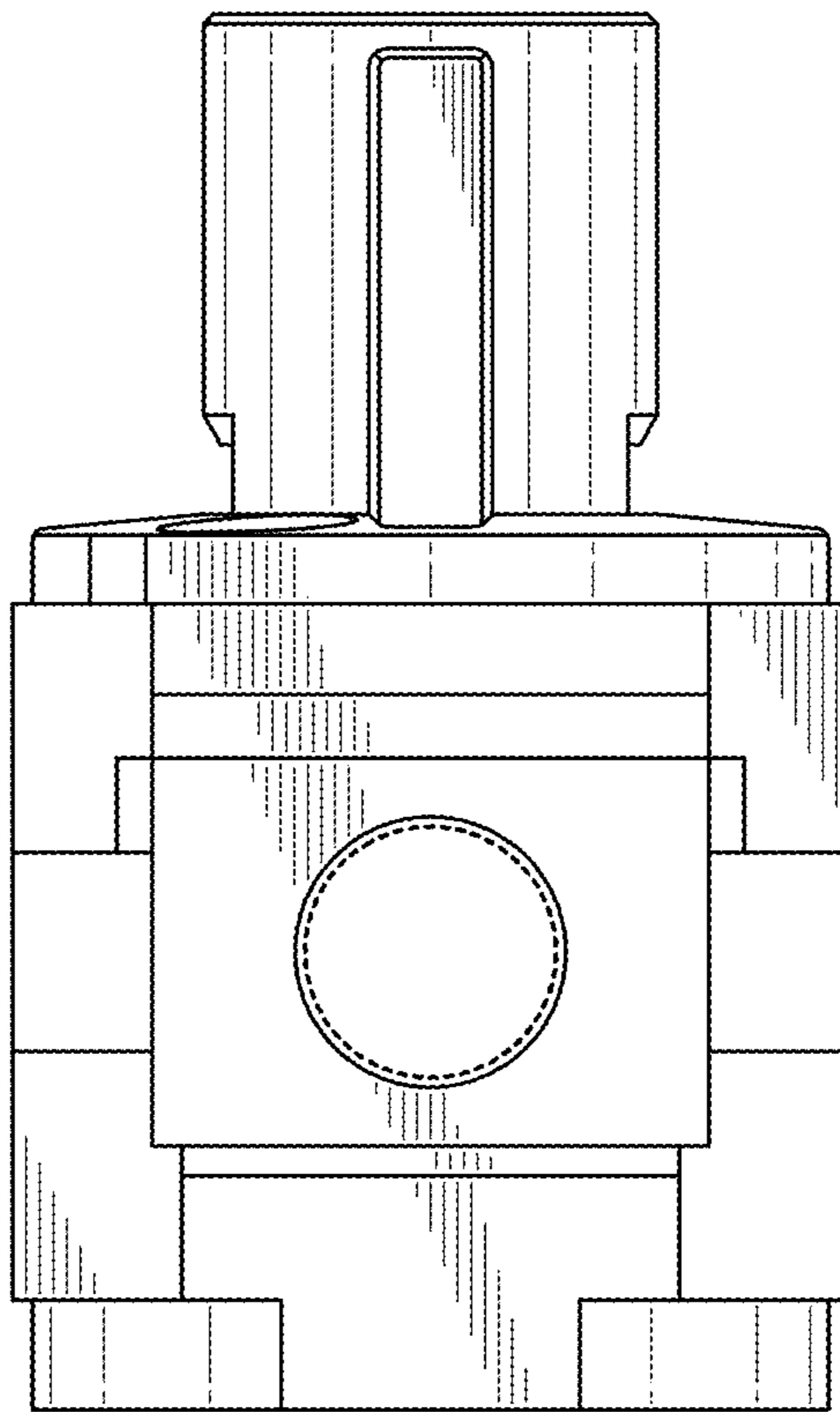


FIG. 8

