



US00D926932S

(12) **United States Design Patent**
Chen

(10) **Patent No.: US D926,932 S**

(45) **Date of Patent: ** Aug. 3, 2021**

(54) **GARDENING WATER SPRAY GUN**

6,726,129 B2 * 4/2004 Kao B05B 15/652
239/587.1

(71) Applicant: **SHIN TAI SPURT WATER OF THE GARDEN TOOLS CO., LTD.,**
Lu-Kang Town (TW)

6,913,211 B2 * 7/2005 Chen B05B 15/656
239/532

(72) Inventor: **Chin-Yuan Chen, Lu-Kang Town (TW)**

D557,377 S * 12/2007 Chen D23/223
D606,626 S * 12/2009 Zore D23/226
D614,729 S * 4/2010 Cheng D23/223
D648,823 S * 11/2011 Hung D23/223
D653,306 S * 1/2012 Chen D23/226

(73) Assignee: **SHIN TAI SPURT WATER OF THE GARDEN TOOLS CO., LTD.,**
Chang-Hua Hsien (TW)

(Continued)

(**) Term: **15 Years**

(21) Appl. No.: **29/706,362**

(22) Filed: **Sep. 19, 2019**

(51) **LOC (13) Cl. 23-01**

(52) **U.S. Cl.**
USPC **D23/226**

(58) **Field of Classification Search**
USPC D8/2; D23/213, 223, 224, 226, 229, 230
CPC B05B 1/16; B05B 9/01; B05B 12/002; B05B 12/0022; B05B 12/0024; B05B 12/0026; B05B 15/63; B25G 1/10; A01M 7/0046
See application file for complete search history.

(56) **References Cited**

U.S. PATENT DOCUMENTS

6,216,965 B1 * 4/2001 Chao B05B 15/654
239/587.4
D470,567 S * 2/2003 Alkalay D23/223
D471,618 S * 3/2003 Nien D23/226
D472,959 S * 4/2003 Alkalay D23/223
6,540,163 B1 * 4/2003 Huang B05B 15/652
239/587.5
6,581,853 B1 * 6/2003 Huang B05B 15/654
239/532
6,595,439 B1 * 7/2003 Chen B05B 15/68
239/225.1
6,712,294 B1 * 3/2004 Wang B05B 15/652
239/525

OTHER PUBLICATIONS

“Colorwave Watering Wand”, Aug. 7, 2014, Amazon, Site visited Dec. 9, 2020: <https://www.amazon.ca/dp/B00IZ72LF2/> (Year: 2014).*

(Continued)

Primary Examiner — Jack Reickel

Assistant Examiner — Bobby W Jones, II

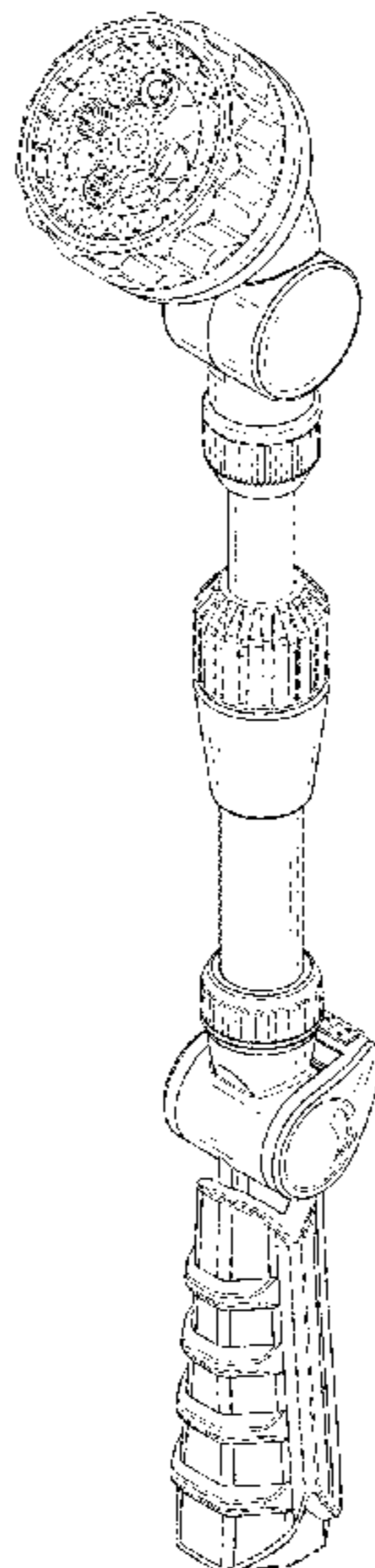
(57) **CLAIM**

The ornamental design for a gardening water spray gun, as shown and described.

DESCRIPTION

FIG. 1 is a perspective view of a gardening water spray gun showing my new design;
FIG. 2 is a front elevational view thereof;
FIG. 3 is a rear elevational view thereof;
FIG. 4 is a left side elevational view thereof;
FIG. 5 is a right side elevational view thereof;
FIG. 6 is a top plan view thereof;
FIG. 7 is a bottom plan view thereof; and,
FIG. 8 is another perspective schematic view of a gardening water spray gun showing my design.
The broken line showing of the gardening water spray gun is for the purpose of illustrating environmental structure and forms no part of the claimed design.

1 Claim, 5 Drawing Sheets



(56)

References Cited

U.S. PATENT DOCUMENTS

D657,018 S * 4/2012 Chen D23/226
D760,349 S * 6/2016 Chen D23/223
D768,818 S * 10/2016 Chen D23/223
D768,819 S * 10/2016 Chen D23/223
D780,289 S * 2/2017 Naslund D23/223
D780,290 S * 2/2017 Naslund D23/223
D781,398 S * 3/2017 Naslund D23/213
D799,000 S * 10/2017 Chen D23/213
D825,716 S * 8/2018 Helmsderfer D23/223
2013/0037624 A1 * 2/2013 Helmsderfer B05B 1/18
239/66
2016/0243568 A1 * 8/2016 Walters B05B 15/625

OTHER PUBLICATIONS

“Orbit 56054 9 Pattern Telescoping Turret Wand” Jan. 27, 2016,
Amazon, site visited Dec. 9, 2020: [https://www.amazon.ca/dp/
B0187BNSNO/](https://www.amazon.ca/dp/B0187BNSNO/) (Year: 2016).*

* cited by examiner

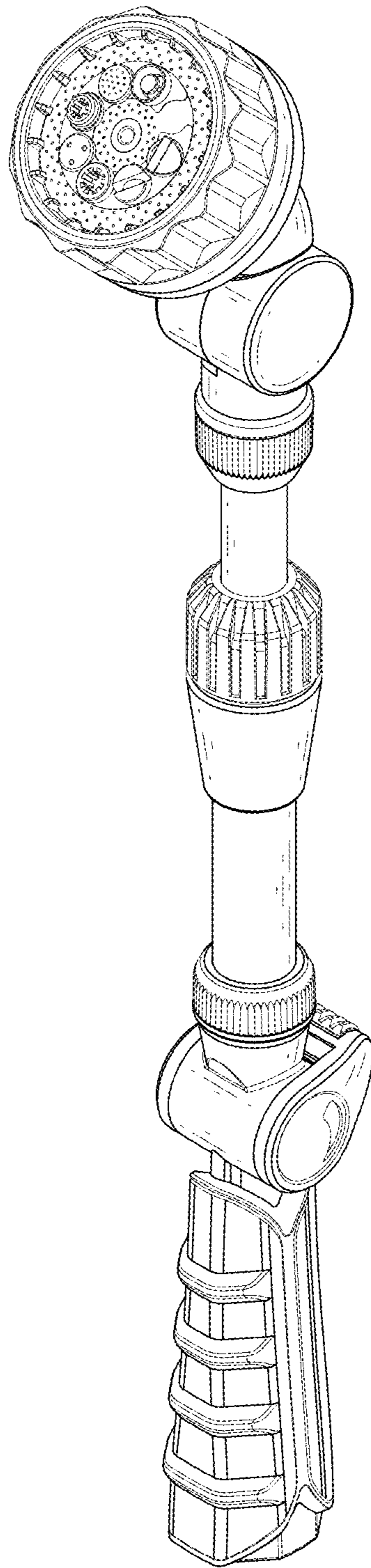


FIG.1

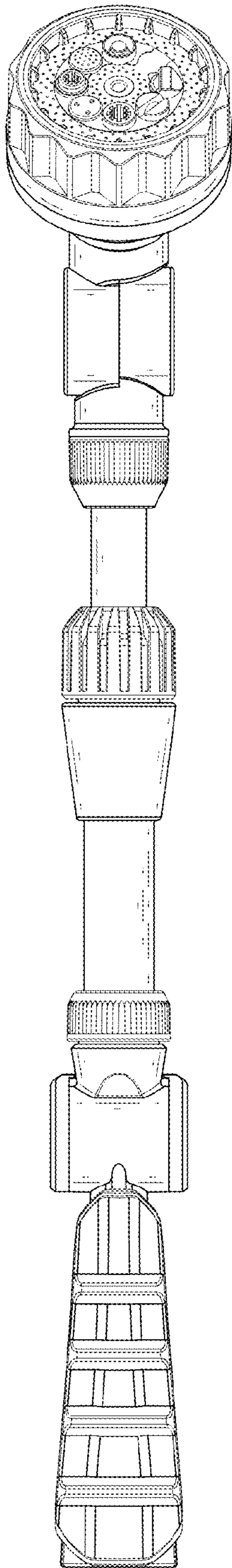


FIG.2

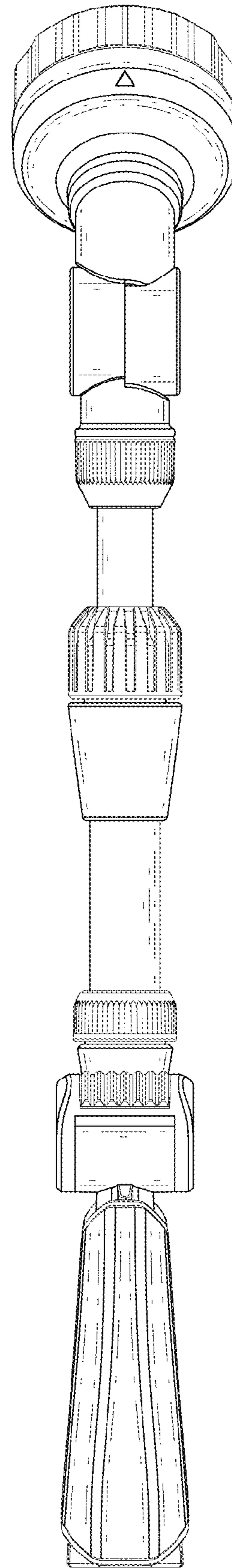


FIG.3

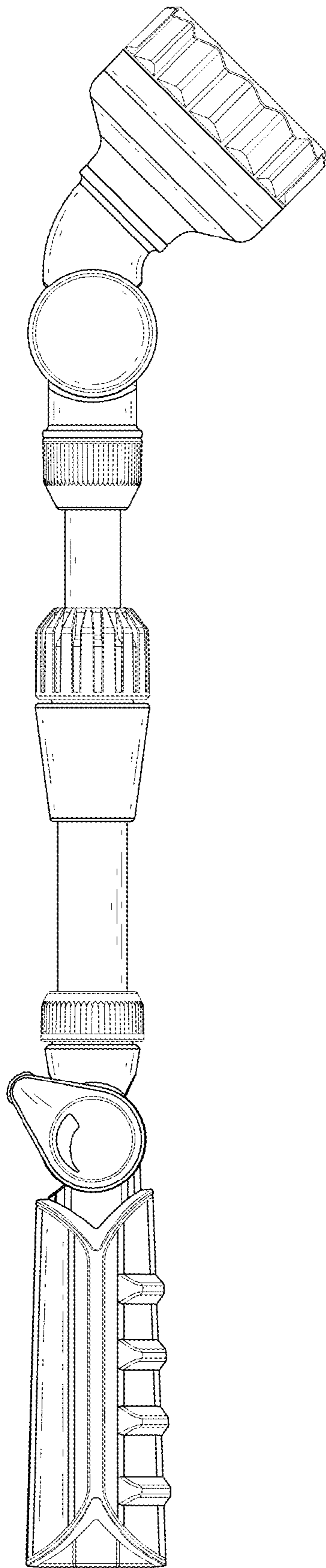


FIG.4

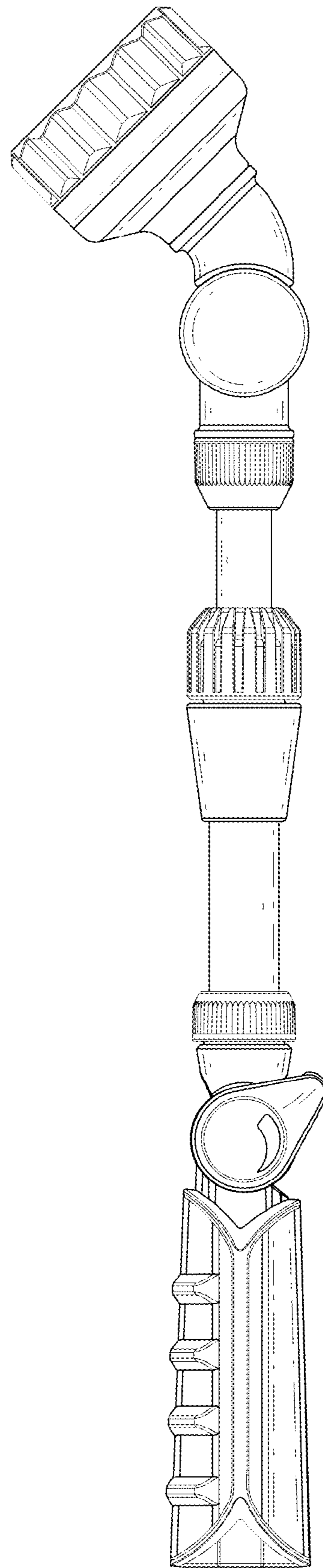


FIG.5

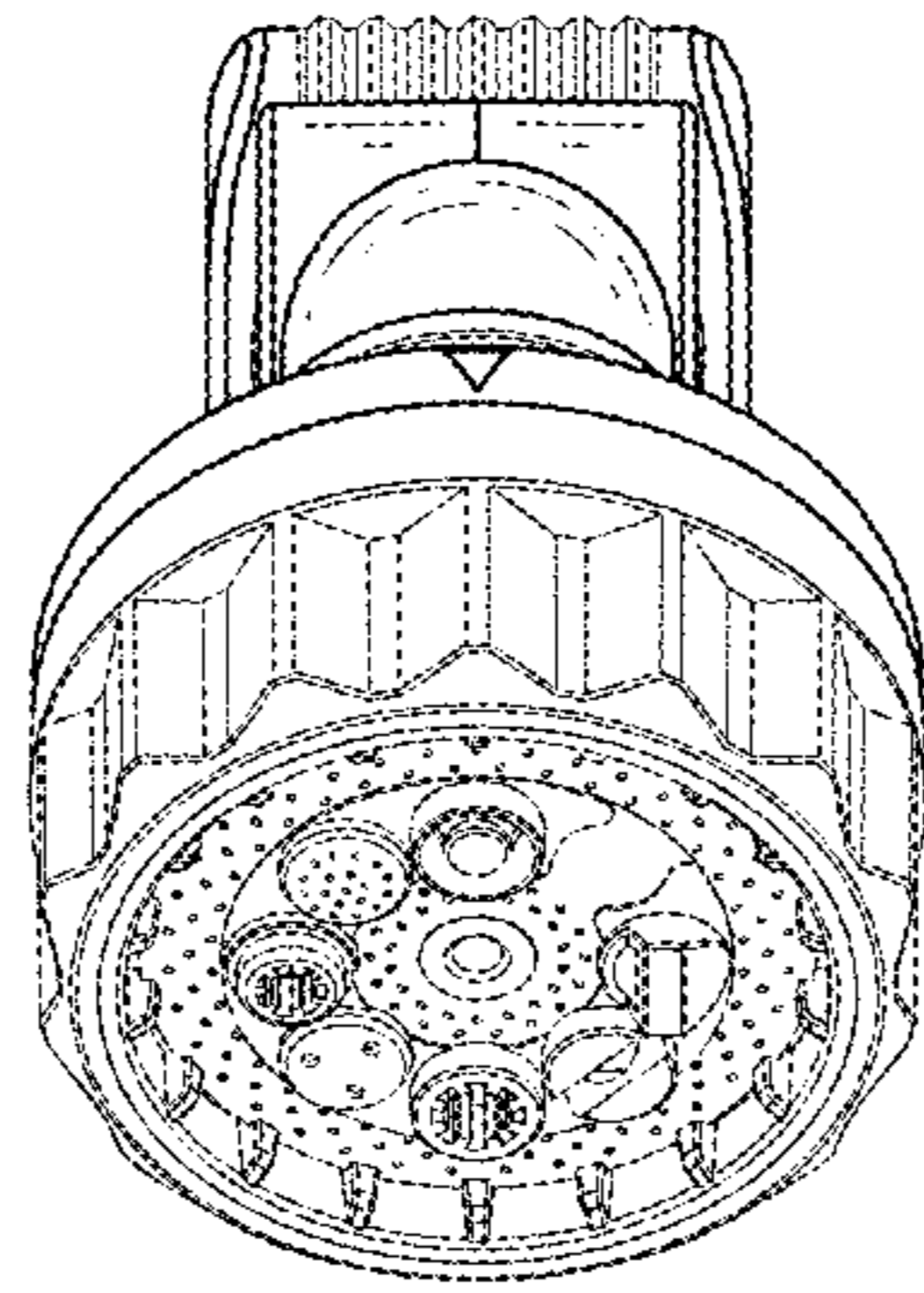


FIG. 6

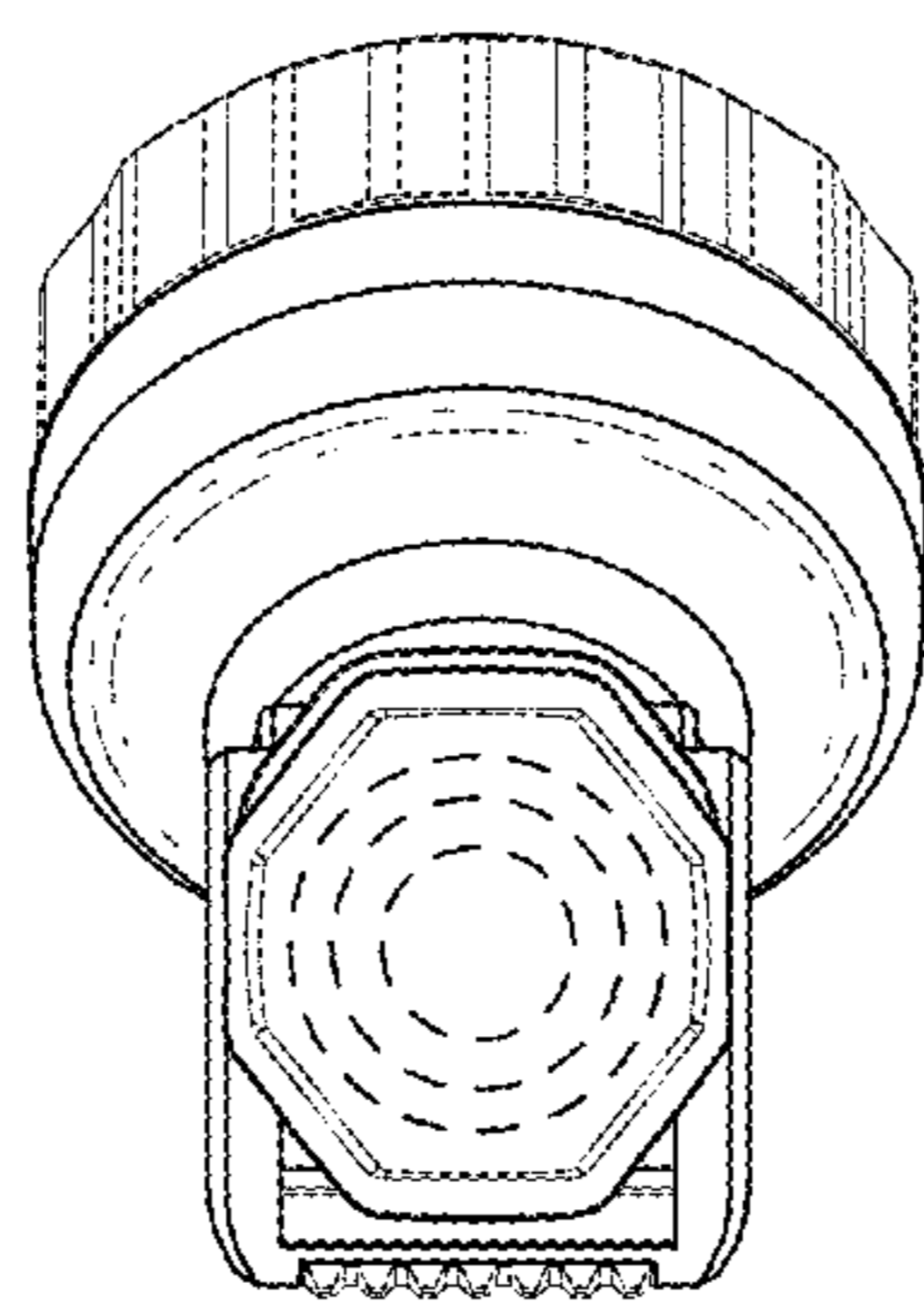


FIG. 7

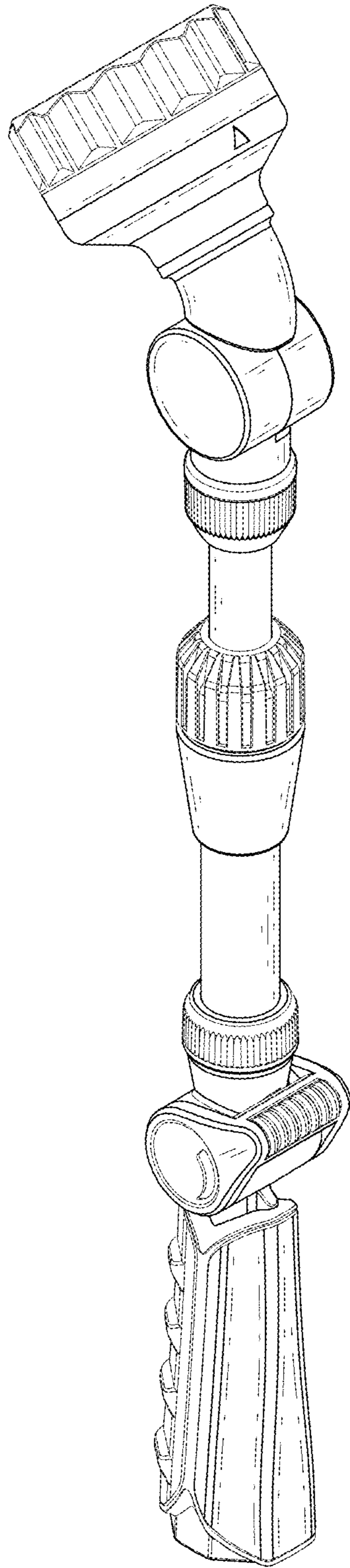


FIG.8