



US00D926931S

(12) **United States Design Patent** (10) **Patent No.:** **US D926,931 S**
Chen (45) **Date of Patent:** **** Aug. 3, 2021**

(54) **SPRAY GUN**
(71) Applicant: **SHIN TAI SPURT WATER OF THE GARDEN TOOLS CO., LTD.,**
Chang-Hua Hsien (TW)
(72) Inventor: **Chin-Yuan Chen,** Chang-Hua Hsien (TW)
(73) Assignee: **SHIN TAI SPURT WATER OF THE GARDEN TOOLS CO., LTD.,**
Chang-Hua Hsien (TW)
(**) Term: **15 Years**
(21) Appl. No.: **29/701,688**
(22) Filed: **Aug. 13, 2019**
(51) **LOC (13) Cl.** **23-01**
(52) **U.S. Cl.**
USPC **D23/226**
(58) **Field of Classification Search**
USPC D8/2; D23/213, 223, 224, 226, 229, 230
See application file for complete search history.

2011/0220738 A1* 9/2011 Cheng B05B 1/3026
239/526
2014/0054399 A1* 2/2014 Hsieh B05B 1/3026
239/526
2015/0343467 A1* 12/2015 Chen B05B 1/1654
239/526
2017/0204978 A1* 7/2017 Huang F16K 5/0478
2018/0161795 A1* 6/2018 Su B05B 1/30

OTHER PUBLICATIONS

“Aqua Joe AJHN102”, Apr. 17, 2018, Amazon, site visited Dec. 3, 2020: <https://www.amazon.ca/dp/B07FNDWXDW/> (Year: 2018).
“Orbit Hose High Water Flow Nozzles Two Pack”, May 4, 2018, Amazon, Site visited Nov. 30, 2020: <https://www.amazon.ca/dp/B07CHQBTR3/> (Year: 2018).*

* cited by examiner

Primary Examiner — Jack Reickel
Assistant Examiner — Bobby W Jones, II

(57) **CLAIM**

The ornamental design for a spray gun, as shown and described.

DESCRIPTION

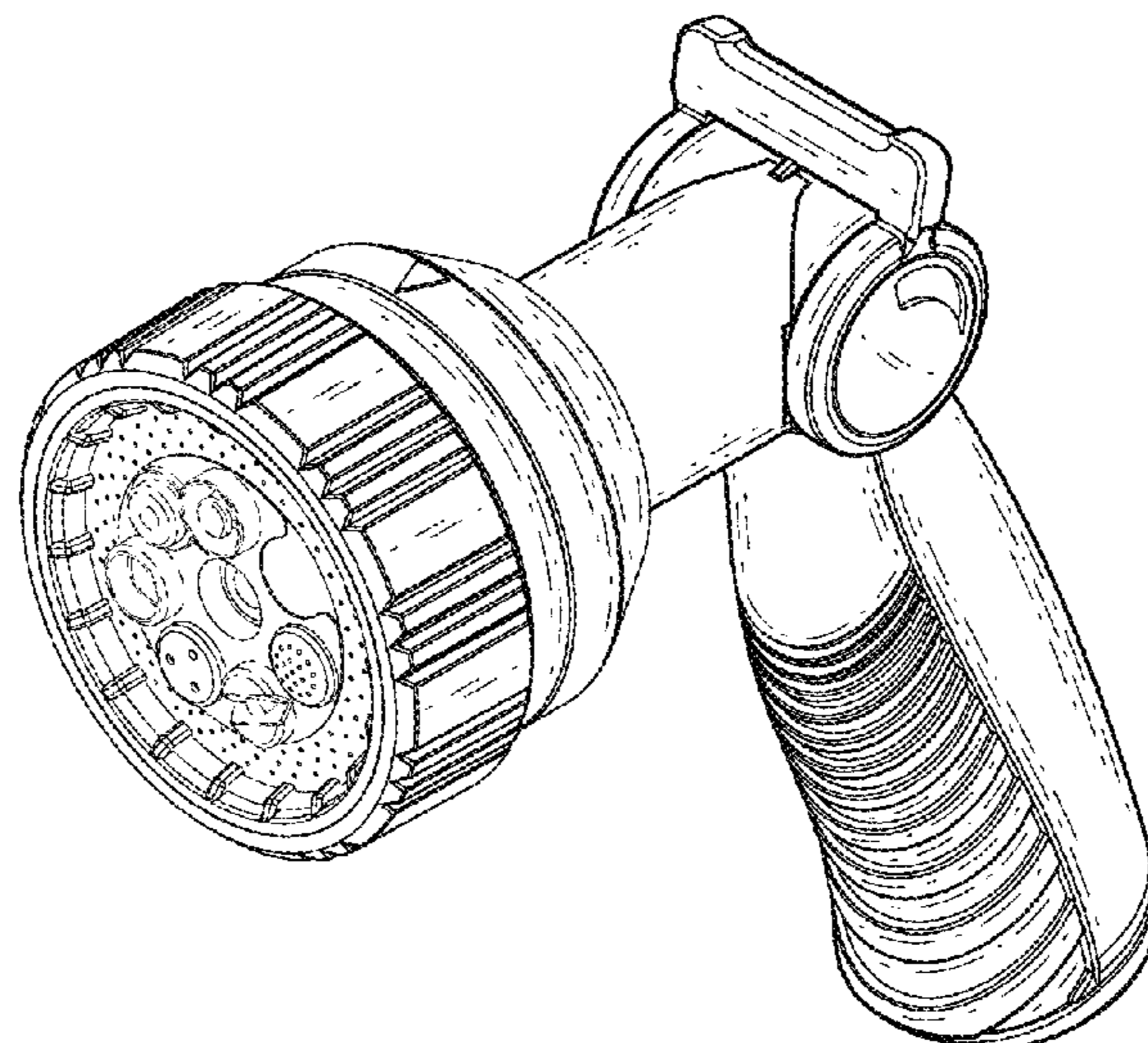
FIG. 1 is a perspective view of a spray gun showing my new design;
FIG. 2 is a front elevational view thereof;
FIG. 3 is a rear elevational view thereof;
FIG. 4 is a left side elevational view thereof;
FIG. 5 is a right side elevational view thereof;
FIG. 6 is a top plan view thereof;
FIG. 7 is a bottom plan view thereof; and,
FIG. 8 is another perspective schematic view of a spray gun showing my design.
The broken line showing of the spray gun is for the purpose of illustrating environmental structure and forms no part of the claimed design.

1 Claim, 6 Drawing Sheets

(56) **References Cited**

U.S. PATENT DOCUMENTS

D572,338 S * 7/2008 Hung D23/223
D576,252 S * 9/2008 Lo D23/223
D592,731 S * 5/2009 Hung D23/223
D604,389 S * 11/2009 Cheng D23/223
D636,058 S * 4/2011 Hung D23/223
D643,907 S * 8/2011 Hung D23/223
D749,696 S * 2/2016 Thurgood D23/223
D771,774 S * 11/2016 Chen D23/223
D779,036 S * 2/2017 Chen D23/223
D792,944 S * 7/2017 Cheng D23/224
9,770,731 B1 * 9/2017 Chen B05B 9/01
D799,005 S * 10/2017 Wojan D23/223
D822,160 S * 7/2018 Urry D23/223
D839,384 S * 1/2019 Svendsen D23/213
10,493,482 B2 * 12/2019 Su B05B 1/30
2010/0282870 A1 * 11/2010 Chen B25G 3/20
239/525



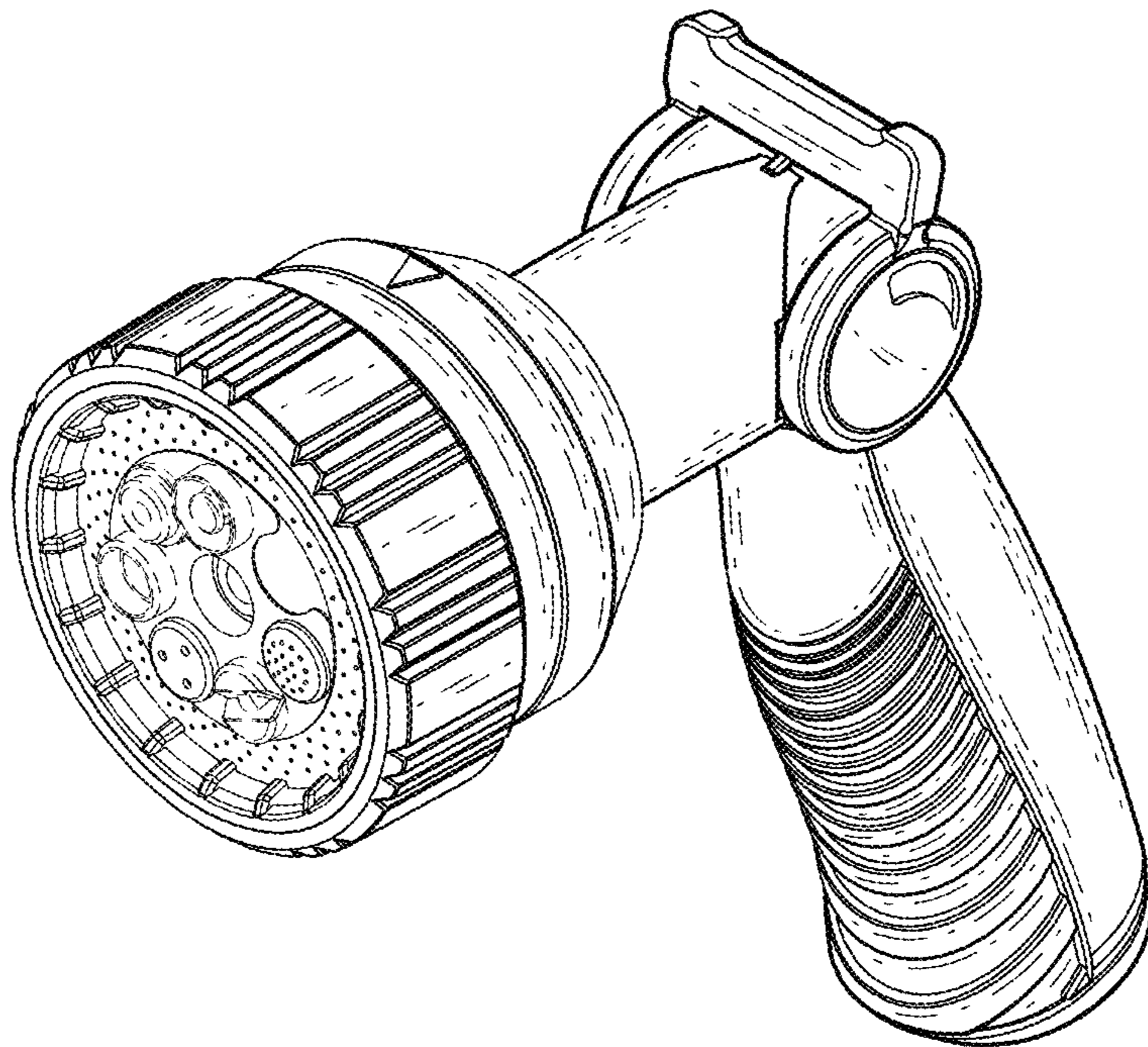


FIG.1

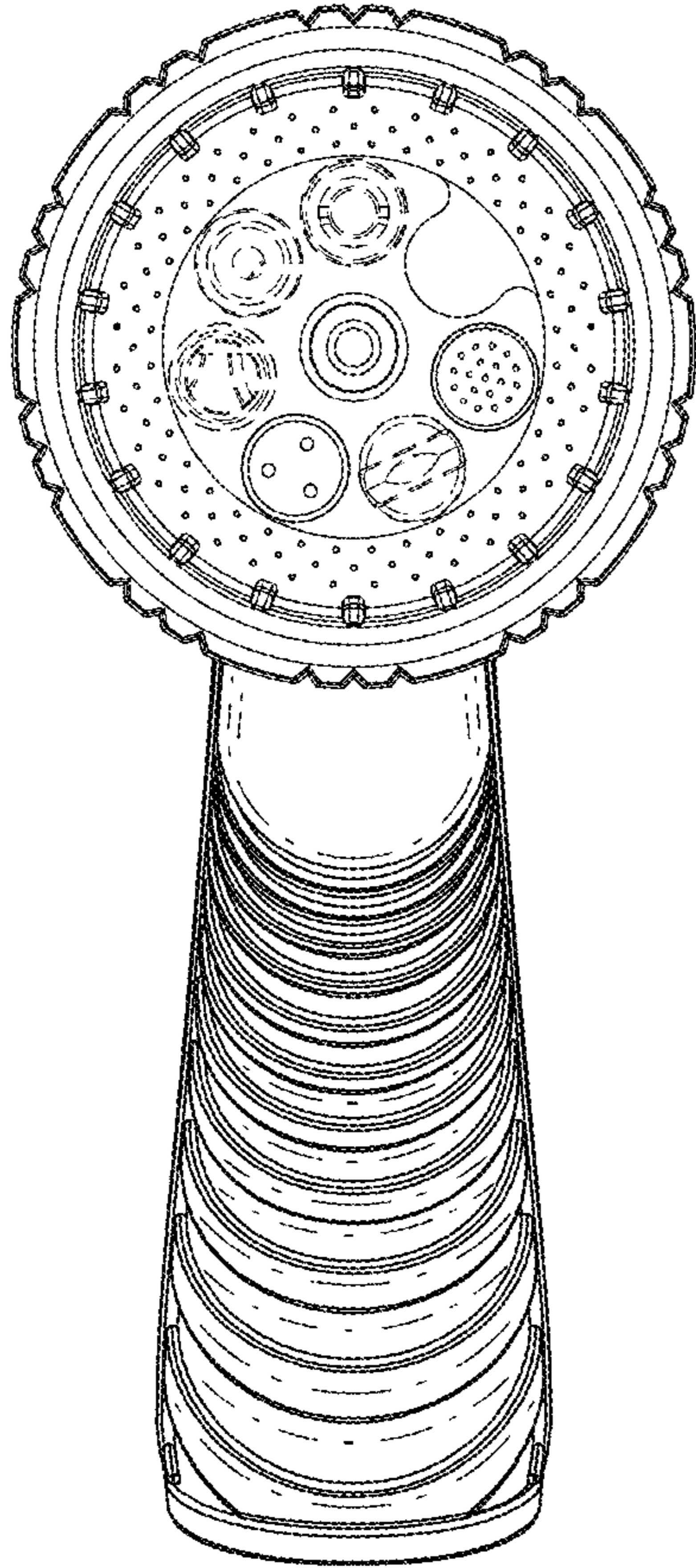


FIG.2

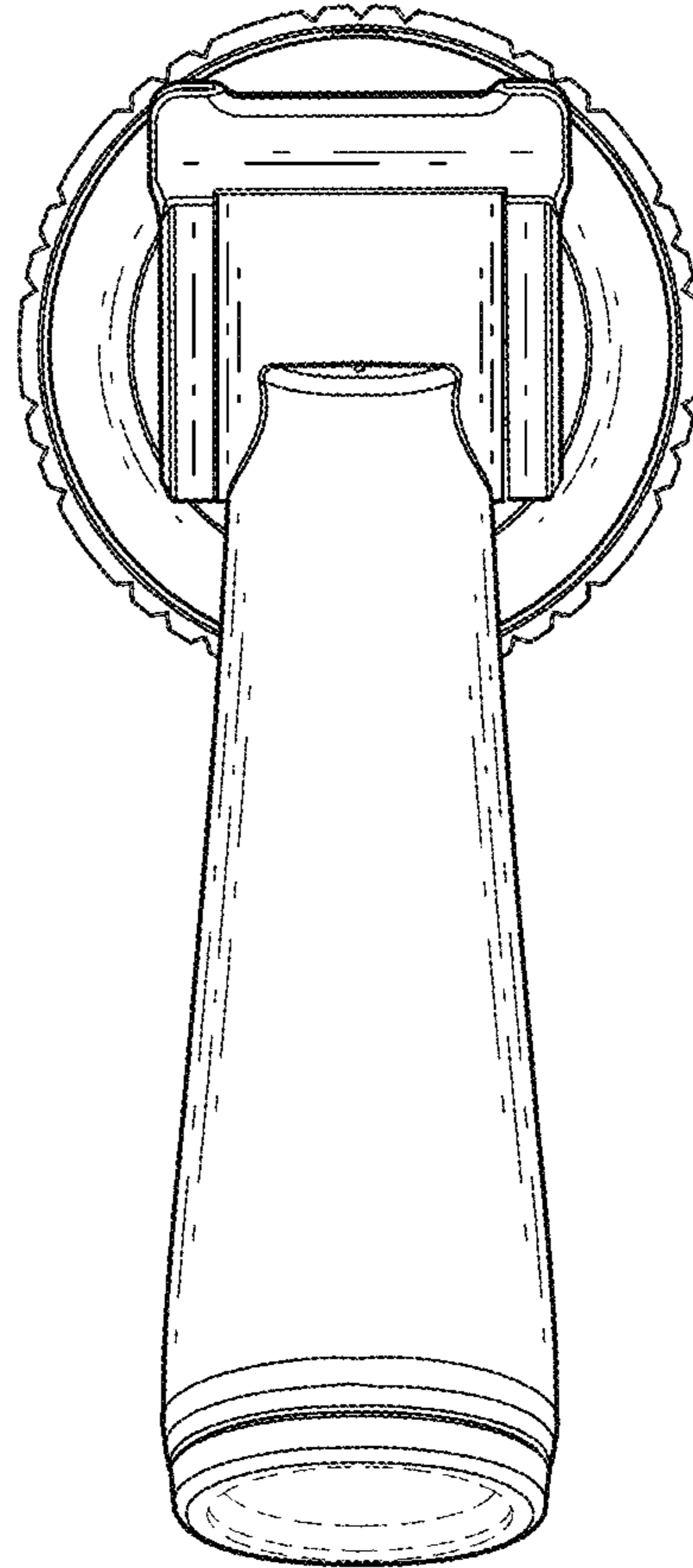


FIG.3

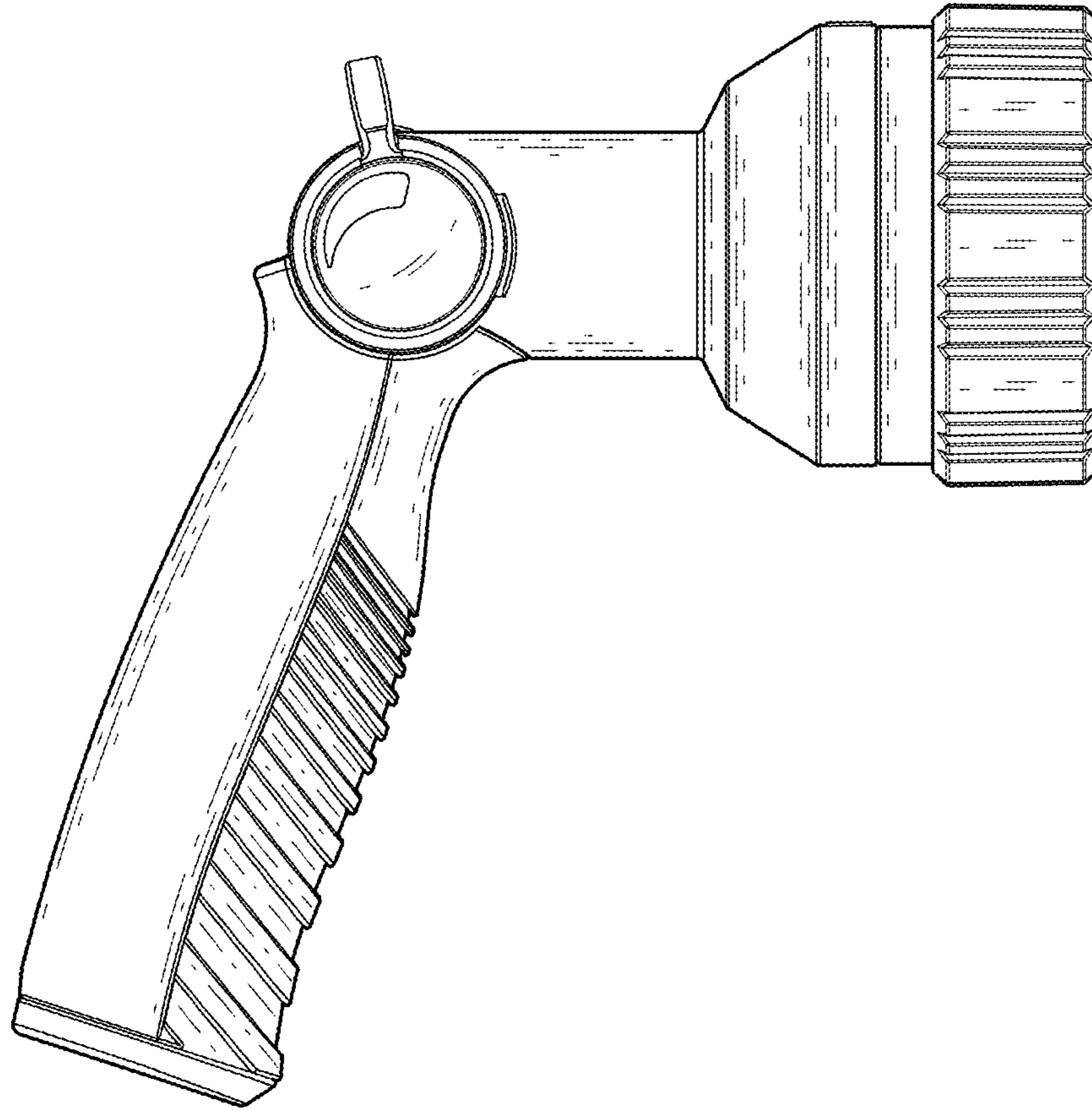


FIG.4

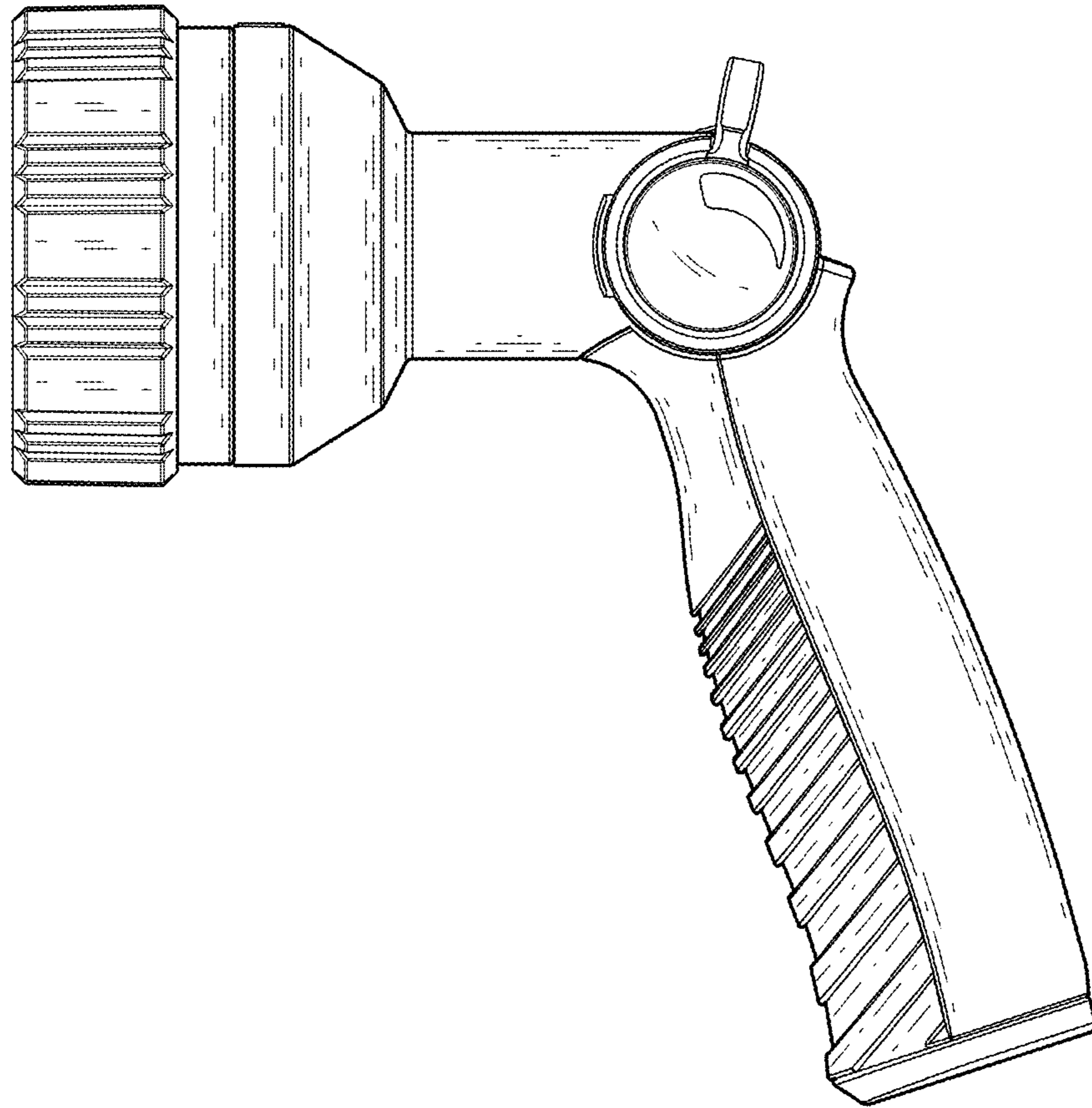


FIG.5

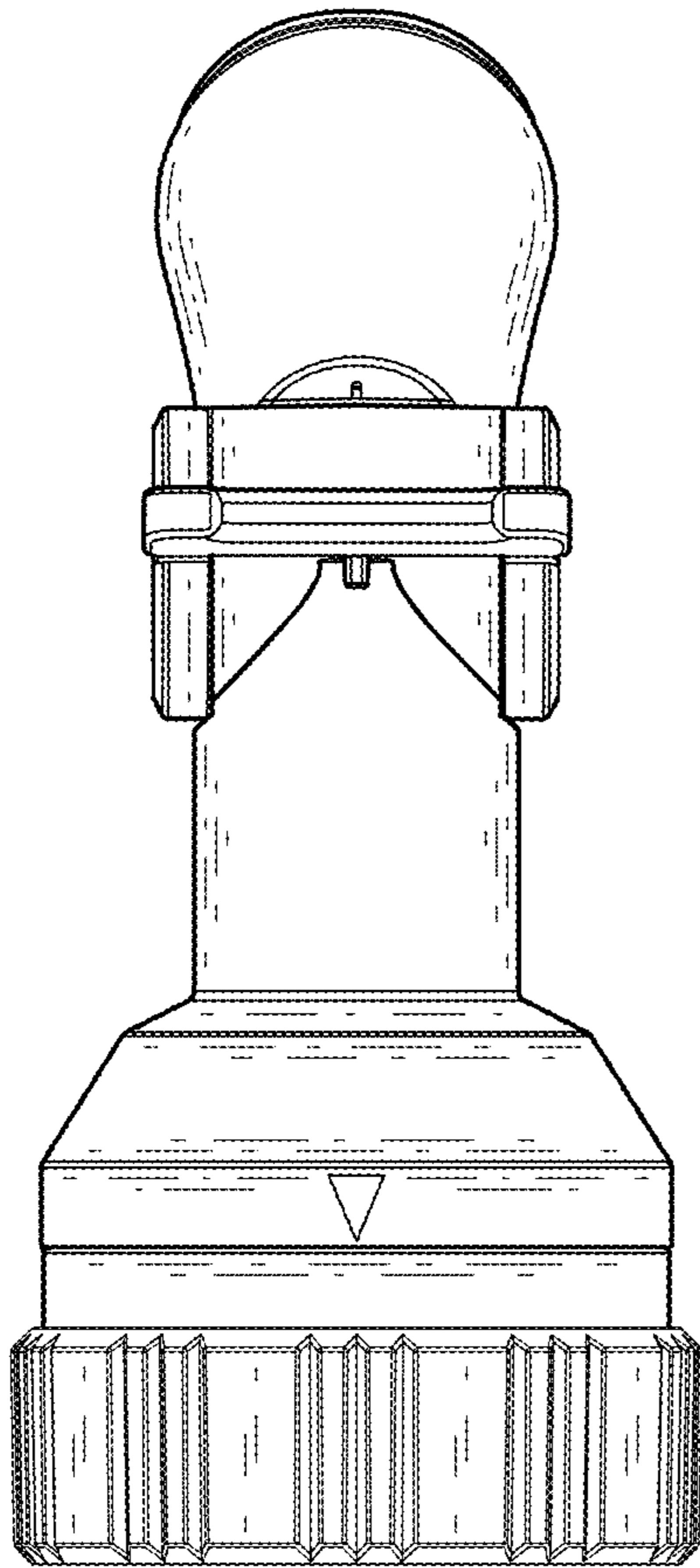


FIG. 6

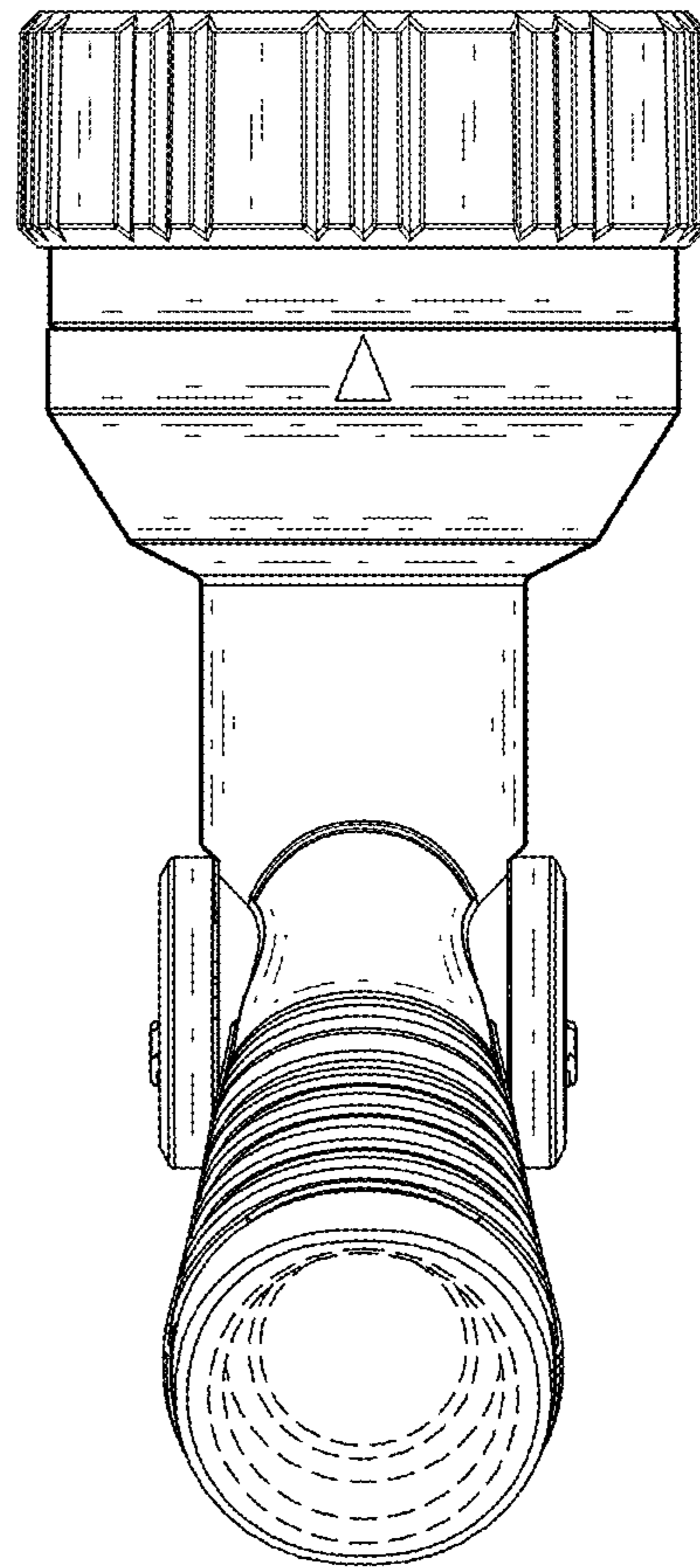


FIG. 7

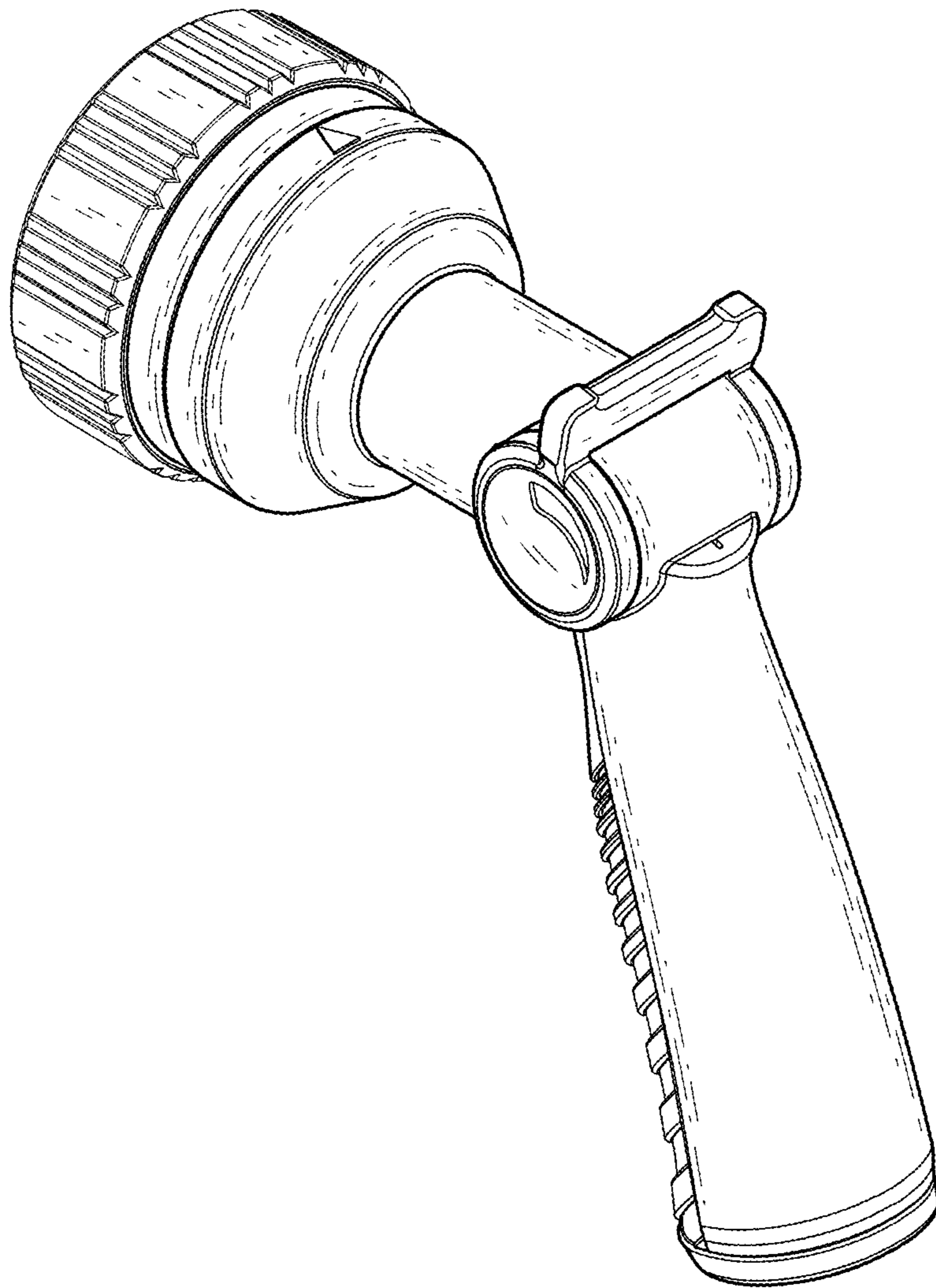


FIG.8