



US00D926930S

(12) **United States Design Patent**  
**Camille**

(10) **Patent No.:** **US D926,930 S**

(45) **Date of Patent:** **\*\* Aug. 3, 2021**

(54) **PAINT SPRAYER**

(71) Applicant: **Gestions Communications Inc,**  
McKee, KY (US)

(72) Inventor: **Maryline Camille, McKee, KY (US)**

(\*\*) Term: **15 Years**

(21) Appl. No.: **29/746,160**

(22) Filed: **Aug. 12, 2020**

(51) **LOC (13) Cl.** ..... **23-01**

(52) **U.S. Cl.**  
USPC ..... **D23/225**

(58) **Field of Classification Search**  
USPC ..... D23/223, 226, 227, 229, 230  
CPC ..... B05B 7/0815; B05B 7/083; B05B 7/2481;  
B05B 7/2408; B05B 7/2416; B05B  
11/0002; B05B 11/3001; B05B 1/3436;  
B05B 9/0861; B08B 9/043  
See application file for complete search history.

(56) **References Cited**

**U.S. PATENT DOCUMENTS**

D503,214 S	3/2005	Stevens et al.	
D519,603 S *	4/2006	Schumann	D23/225
D589,116 S *	3/2009	Bruggeman	D23/225
D630,708 S	1/2011	Blenkush et al.	
D633,176 S *	2/2011	Blenkush	D23/225
D651,691 S	1/2012	Muetzel et al.	
D660,941 S *	5/2012	Perez	D23/225
8,267,332 B1 *	9/2012	Jones	B05B 11/3001 239/463
D713,500 S *	9/2014	Muhl	D23/225
D723,659 S *	3/2015	Tullney	D23/225
D757,897 S *	5/2016	Tullney	D23/223
D758,536 S	6/2016	Olson et al.	

D759,199 S	6/2016	Wrobel et al.	
9,480,997 B2 *	11/2016	Gang	B05B 7/0823
D796,004 S *	8/2017	Yang	D23/225
D809,099 S *	1/2018	Tullney	D23/225
D814,610 S *	4/2018	Dawson	D23/225
D828,495 S *	9/2018	Mazur	D23/225
D857,162 S *	8/2019	Dawson	D23/225
D868,554 S *	12/2019	Shimazu	D8/29.1

**OTHER PUBLICATIONS**

Tilswall Paint Sprayer, 550w Spray Gun Home Electric Paint Gun (User Review—Rami Aboumahadi) [Apr. 12, 2020] found online [Feb. 2, 2021]—[https://www.amazon.com/Tilswall-Electric-Detachable-Patterns-Painting/dp/B07YY4B2SL/ref=asc\\_df\\_B07YY4B2SL/?tag=hyprod-20&linkCode=df0&hvadid=385218597550&hvpos=&hvnetw=g&hvrn.\\*](https://www.amazon.com/Tilswall-Electric-Detachable-Patterns-Painting/dp/B07YY4B2SL/ref=asc_df_B07YY4B2SL/?tag=hyprod-20&linkCode=df0&hvadid=385218597550&hvpos=&hvnetw=g&hvrn.*)

\* cited by examiner

*Primary Examiner* — John A Voytek  
(74) *Attorney, Agent, or Firm* — Rumit Ranjit Kanakia

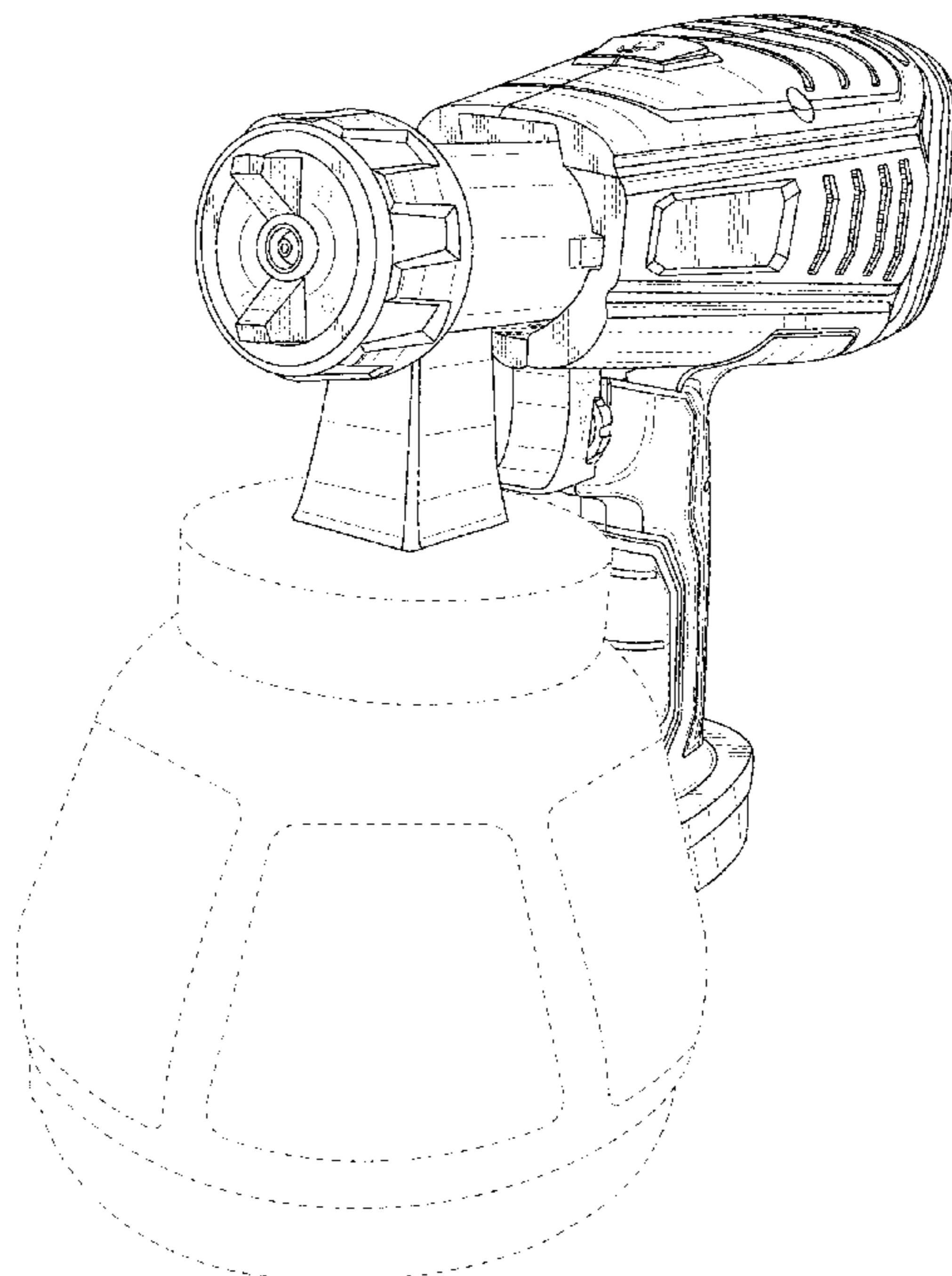
(57) **CLAIM**

I claim the ornamental design for a paint sprayer, as shown and described.

**DESCRIPTION**

FIG. 1 is a Perspective view of a paint sprayer showing my new design;  
FIG. 2 is a Front view thereof;  
FIG. 3 is a Back view thereof;  
FIG. 4 is a Right-side view thereof;  
FIG. 5 is a Left-side view thereof;  
FIG. 6 is a Top view thereof; and,  
FIG. 7 is a Bottom view thereof.  
The broken lines are for the purpose of illustrating portions of the article that form no part of the claim.

**1 Claim, 7 Drawing Sheets**



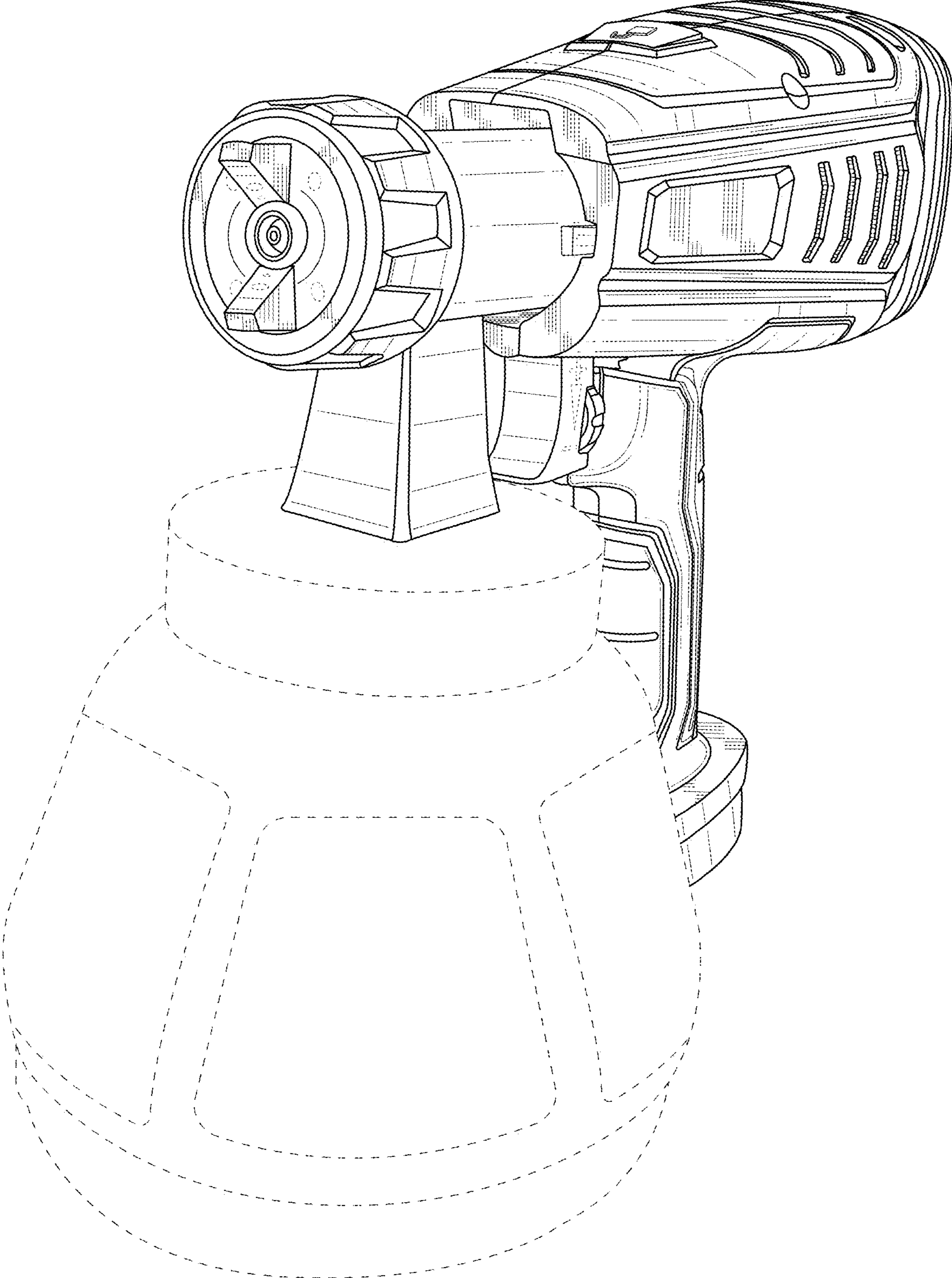


FIG. 1

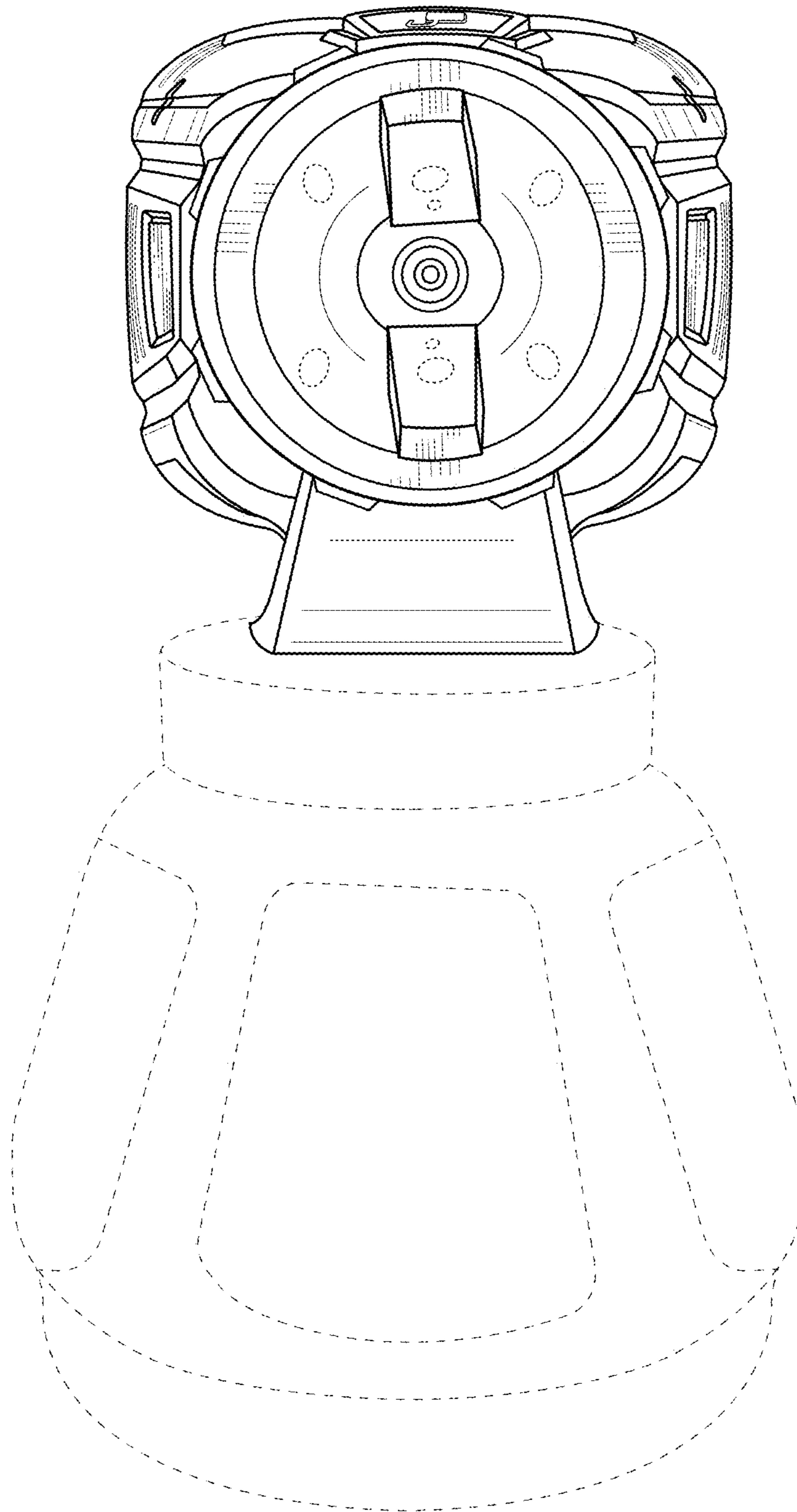


FIG. 2

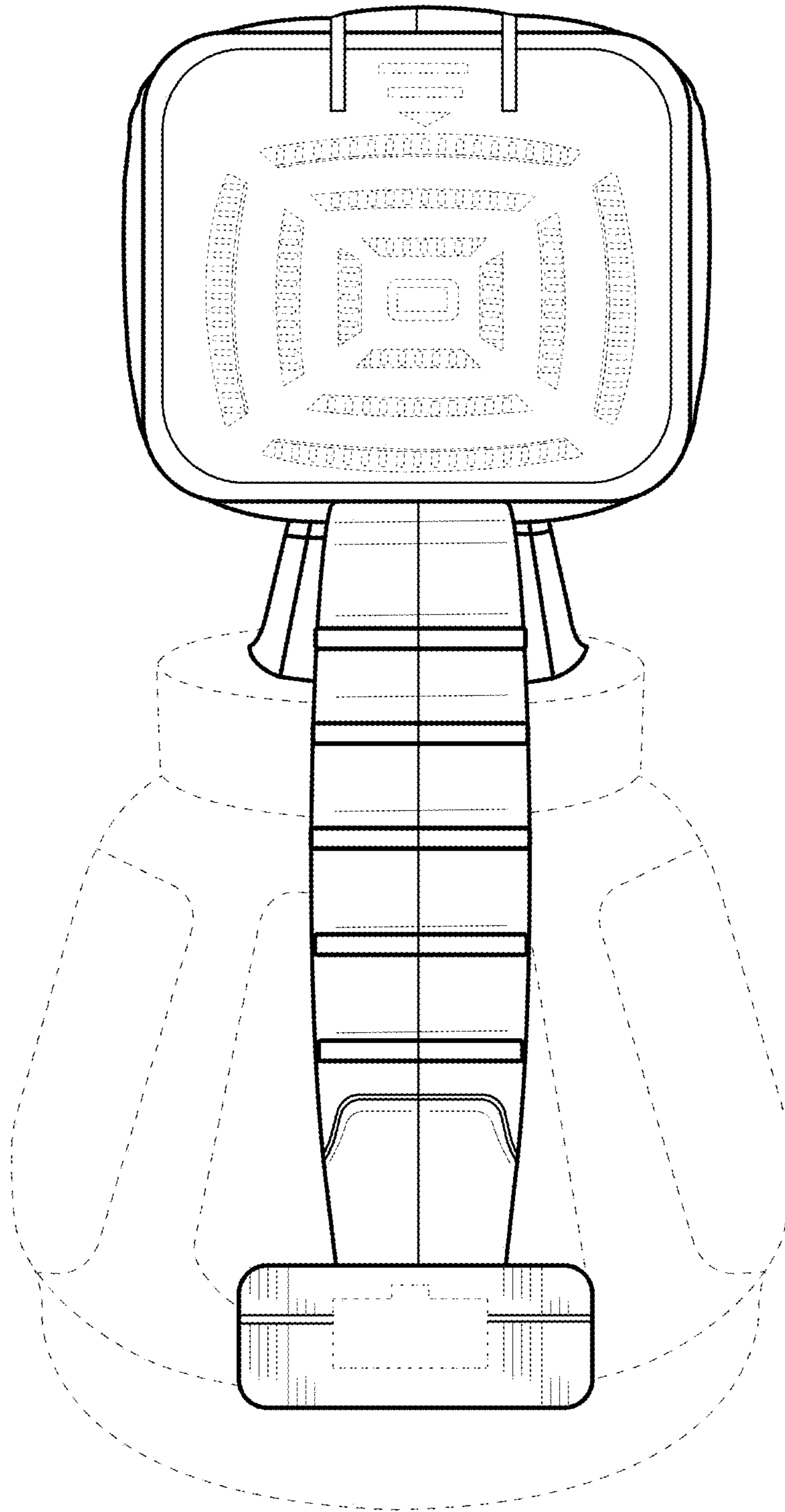


FIG. 3

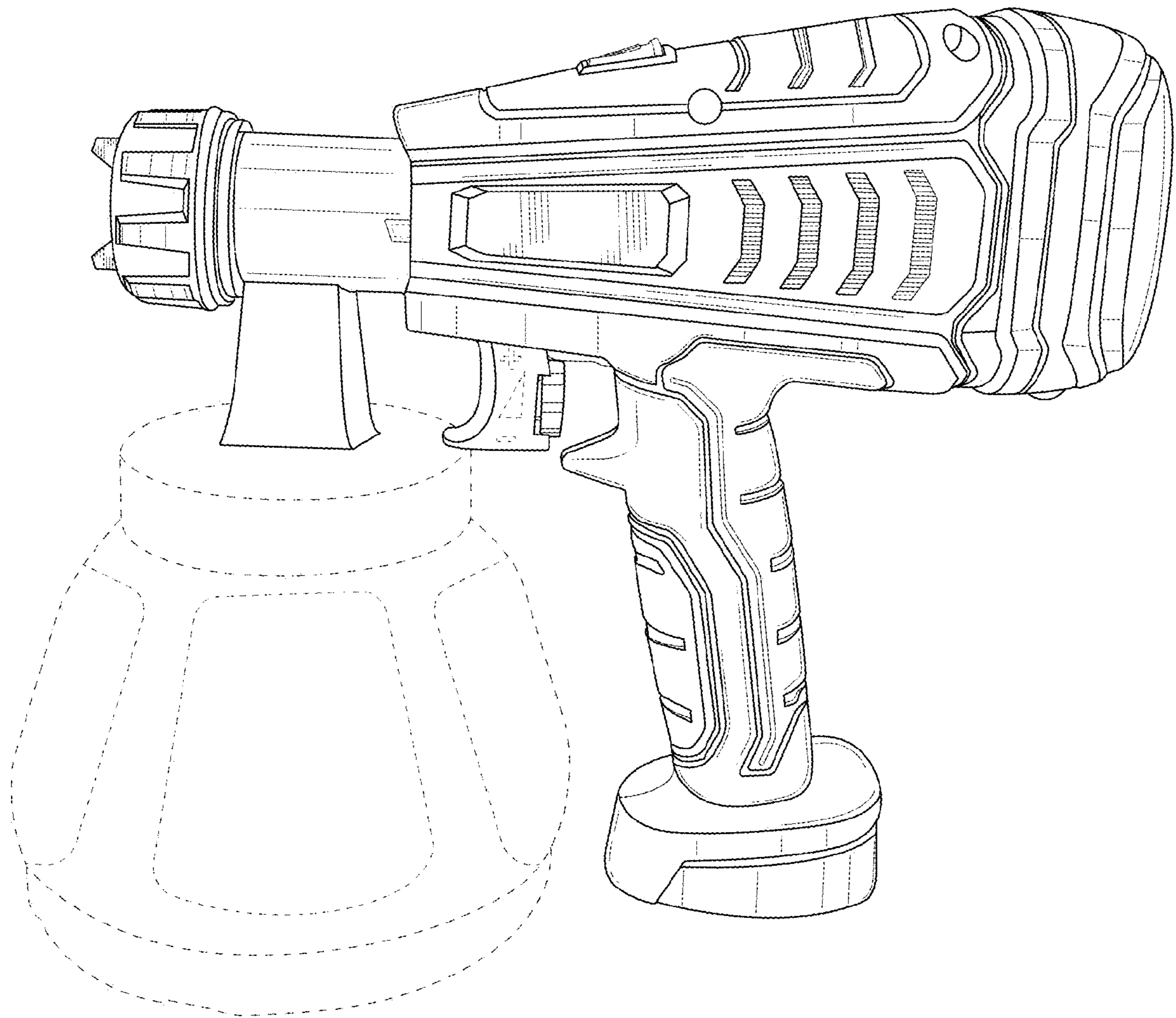


FIG. 4

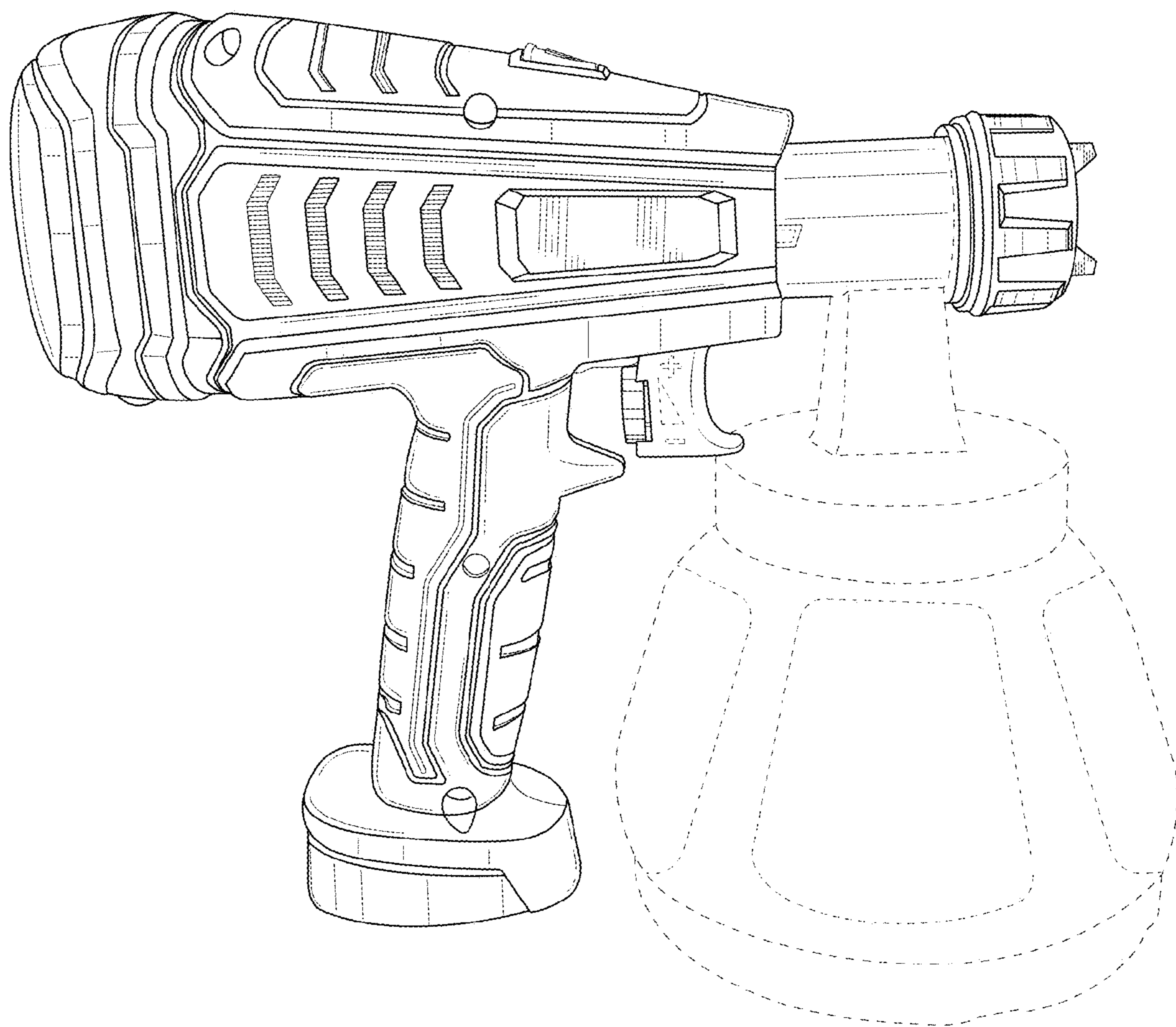


FIG. 5

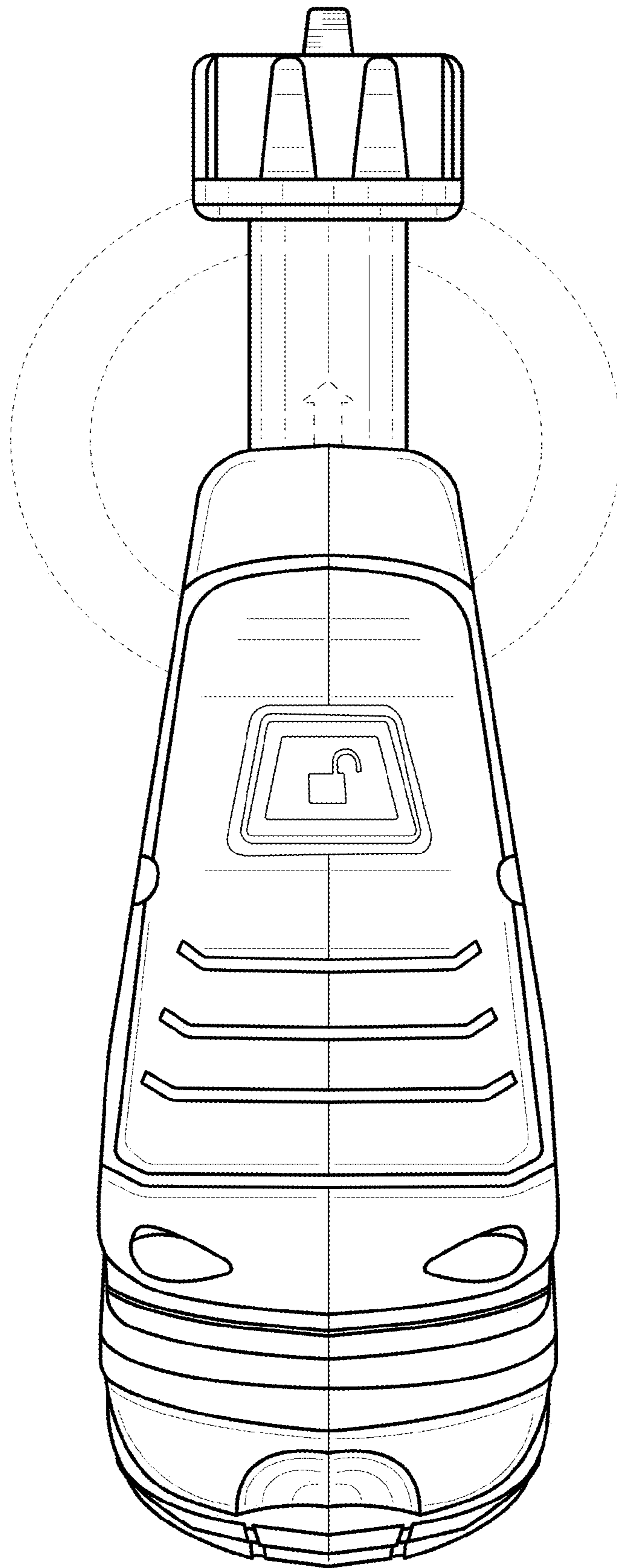


FIG. 6

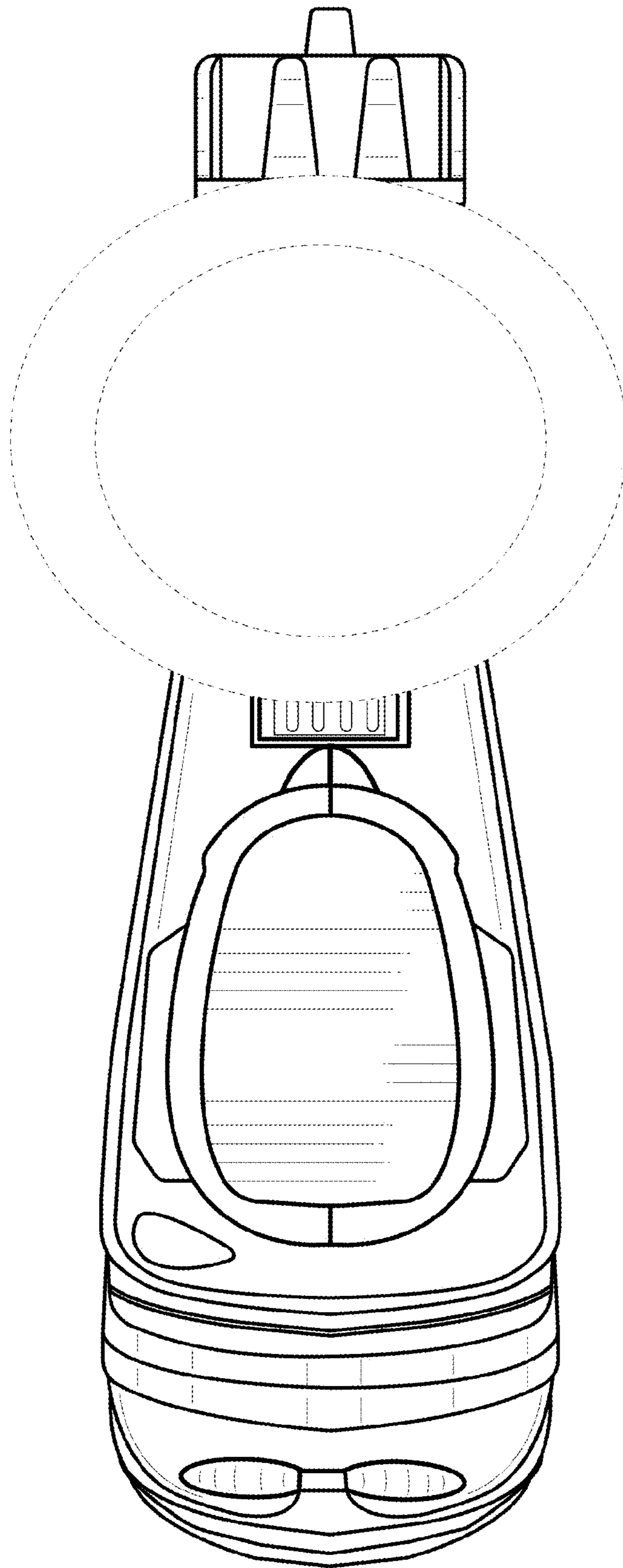


FIG. 7