



US00D926928S

(12) **United States Design Patent**
Zhang

(10) **Patent No.:** **US D926,928 S**

(45) **Date of Patent:** **** *Aug. 3, 2021**

(54) **SHOWER HEAD**

(71) Applicant: **Xinrui Zhang**, Kaiping (CN)

(72) Inventor: **Xinrui Zhang**, Kaiping (CN)

(*) Notice: This patent is subject to a terminal disclaimer.

(**) Term: **15 Years**

(21) Appl. No.: **29/748,294**

(22) Filed: **Aug. 28, 2020**

(51) **LOC (13) Cl.** **23-01**

(52) **U.S. Cl.**
USPC **D23/213**

(58) **Field of Classification Search**
USPC D23/213, 214, 215, 223, 224, 226, 229,
D23/230

CPC A61H 9/0021; A61H 33/00; B05B 1/00;
B05B 1/14; B05B 1/185; B05B 1/08;
B05B 1/02; B05B 1/26; B05B 12/002;
B05B 1/18; B05B 9/01

See application file for complete search history.

(56) **References Cited**

U.S. PATENT DOCUMENTS

D432,211 S *	10/2000	Chan	D23/229
D443,029 S	5/2001	Haug et al.		
D447,218 S	8/2001	Haug et al.		
D463,844 S	10/2002	Farley		
D471,253 S	3/2003	Tse		
D550,326 S	9/2007	Huang		
D557,764 S *	12/2007	Schonherr	D23/213
D604,802 S *	11/2009	Schoenherr	D23/213
D652,106 S *	1/2012	Yoo	D23/213
D724,180 S *	3/2015	Lin	D23/213
D908,188 S *	1/2021	Seum	D23/213
D920,472 S *	5/2021	Chew	D23/213
2021/0048160 A1 *	2/2021	Wang	F21V 33/004

OTHER PUBLICATIONS

Delta Faucet 3-Spray H2Okinetic Shower Head, Chrome 52684, Apr. 30, 2014, Amazon.com, Jun. 14, 2021, URL: <https://www.amazon.com/3-Spray-H2Okinetic-Shower-Chrome-52684/dp/B00K1PLPTE> (Year: 2014).*

Delta 52664-BL H2Okinetic 5-Setting Raincan Shower head, Matte Black, Aug. 8, 2017, Amazon.com, Jun. 14, 2021, URL: <https://www.amazon.com/52664-BL-H2Okinetic-5-Setting-Raincan-Shower/dp/B074ND4T9G> (Year: 2017).*

Bathroom Shower Faucet Set, Apr. 9, 2021, Amazon.com Jun. 14, 2021, URL: <https://www.amazon.com/Bathroom-DAYONE-Fixtures-Function-DAY-150BTG/dp/B08TM1VDLQ> (Year: 2021).*

(Continued)

Primary Examiner — Jack Reickel

Assistant Examiner — Keith J Wilson

(74) *Attorney, Agent, or Firm* — Rumit Ranjit Kanakia

(57) **CLAIM**

I claim the ornamental design for a shower head, as shown and described.

DESCRIPTION

FIG. 1 is a perspective view of a shower head showing my new design;

FIG. 2 is other perspective view thereof;

FIG. 3 is a front view thereof;

FIG. 4 is a back view thereof;

FIG. 5 is a right-side view thereof;

FIG. 6 is a left-side view thereof;

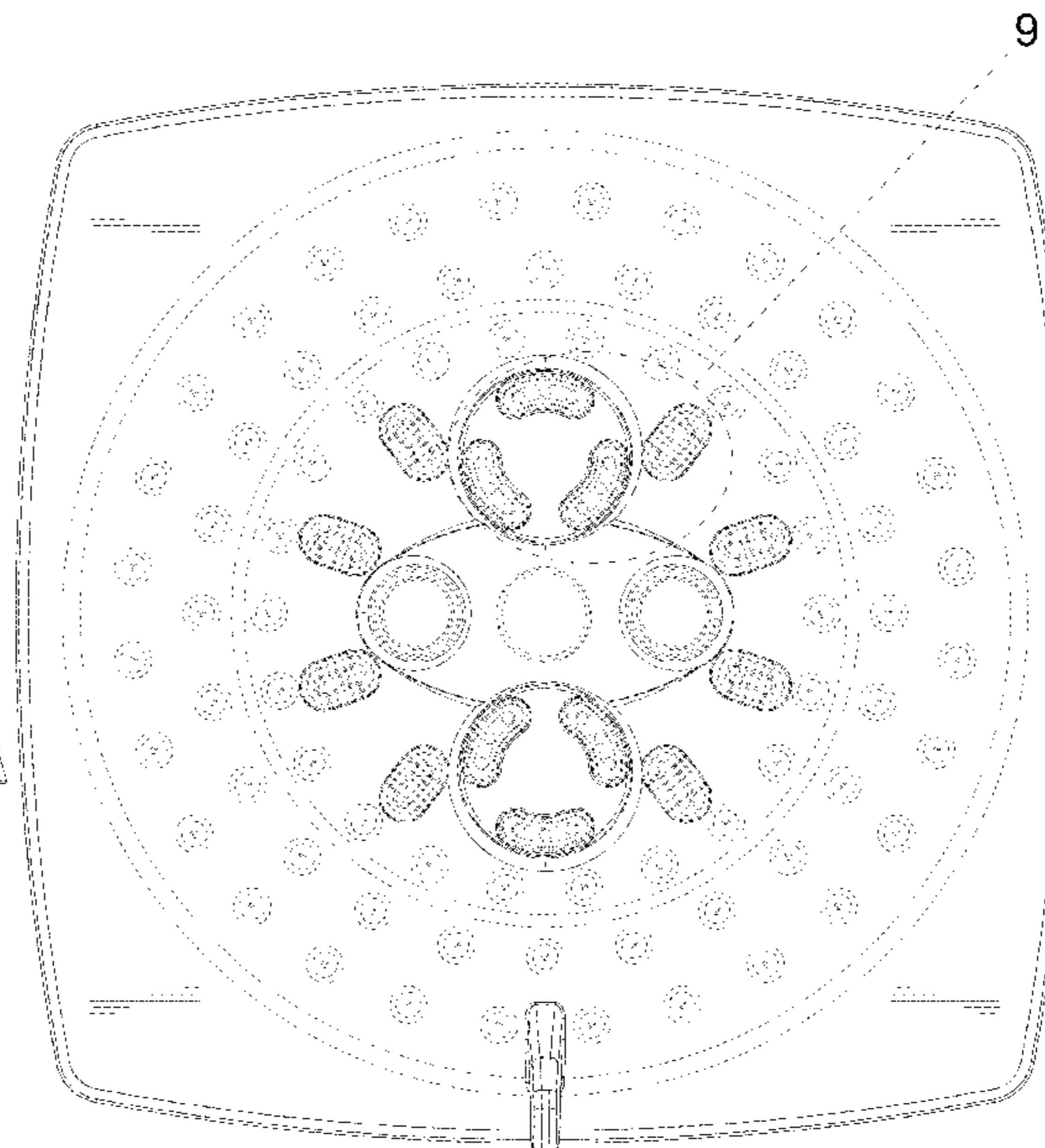
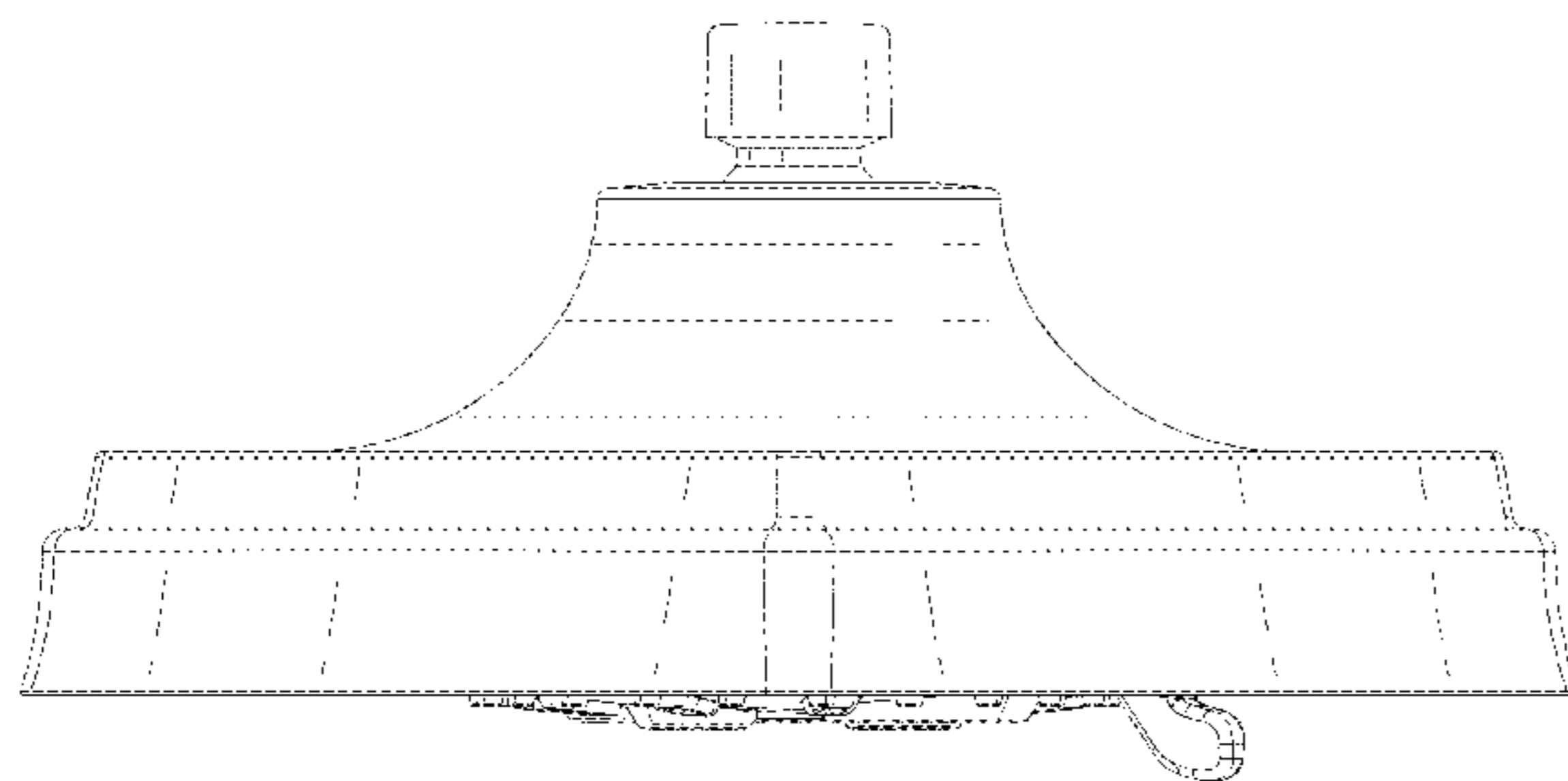
FIG. 7 is a top view thereof;

FIG. 8 is a bottom view thereof; and,

FIG. 9 is an exploded view of the part shown in FIG. 8.

The broken lines are for the purpose of illustrating portions of the article that form no part of the claim.

1 Claim, 9 Drawing Sheets



(56)

References Cited

OTHER PUBLICATIONS

Oxygenics Marvel 9-Setting Rain Shower System (Brushed Nickel), Mar. 17, 2017, Walmart.com, Jun. 14, 2021, URL: <https://www.walmart.com/ip/Oxygenics-Marvel-9-Setting-Rain-Shower-System-Brushed-Nickel/173478959> (Year: 2017).*

Stryke 5-Spray 6 in. Single Tub Wall Mount Fixed H2Okinetic Shower Head in Chrome, Nov. 7, 2019, Homedepot.com, Jun. 14, 2021, URL: <https://www.homedepot.com/p/reviews/Delta-Stryke-5-Spray-6-in-Single-Tub-Wall-Mount-Fixed-H2Okinetic-Shower-Head-in-Chrome-52663/307782298/1> (Year: 2019).*

Pfister LG89-8DAC Deckard Tub and Shower Trim, Polished Chrome, Feb. 18, 2019, Amazon.com, Jun. 14, 2021, URL: <https://www.amazon.com/Pfister-LG89-8DAC-Deckard-Shower-Polished/dp/B0798C1MV2> (Year: 2019).*

* cited by examiner

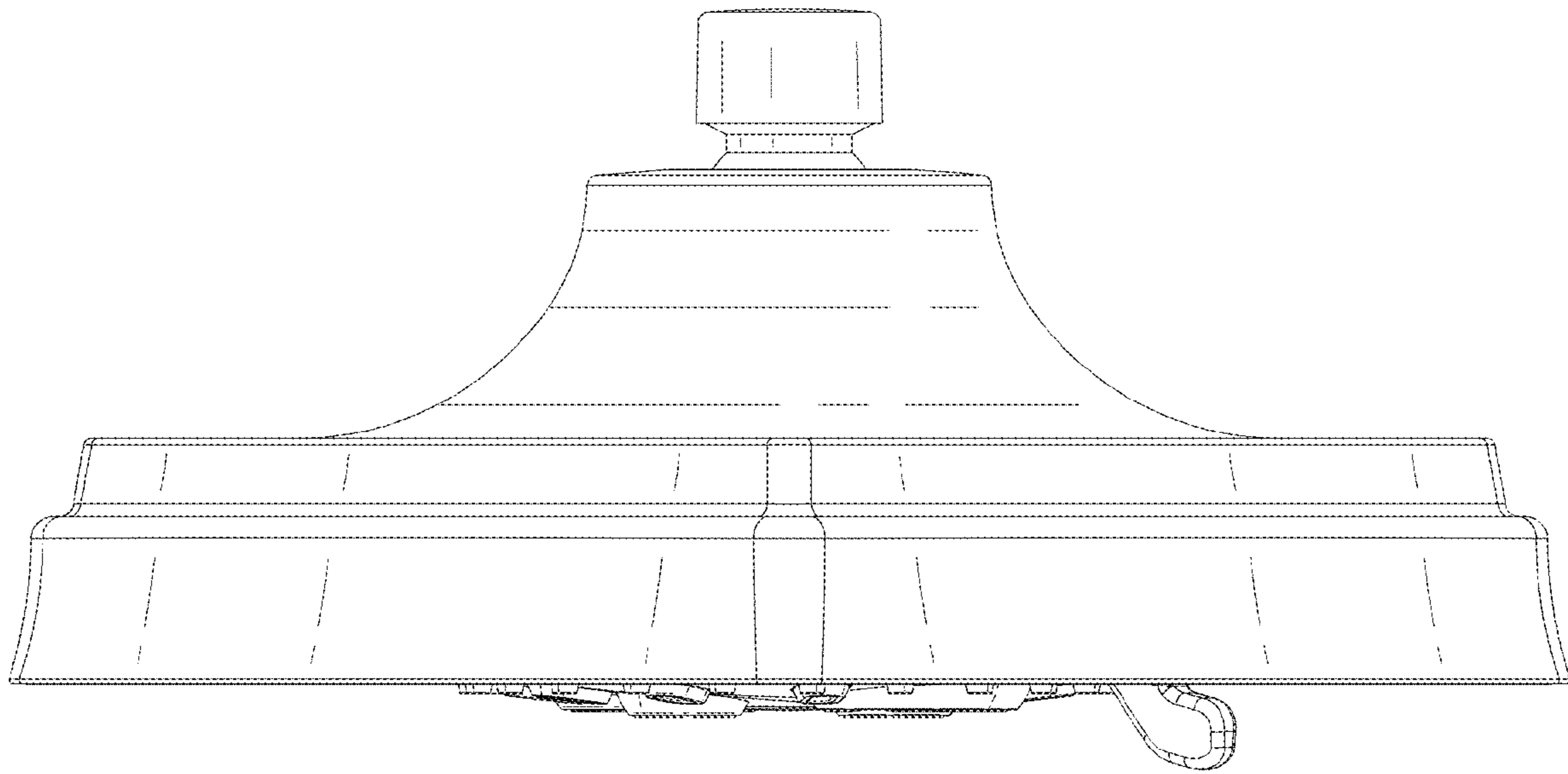


FIG. 1

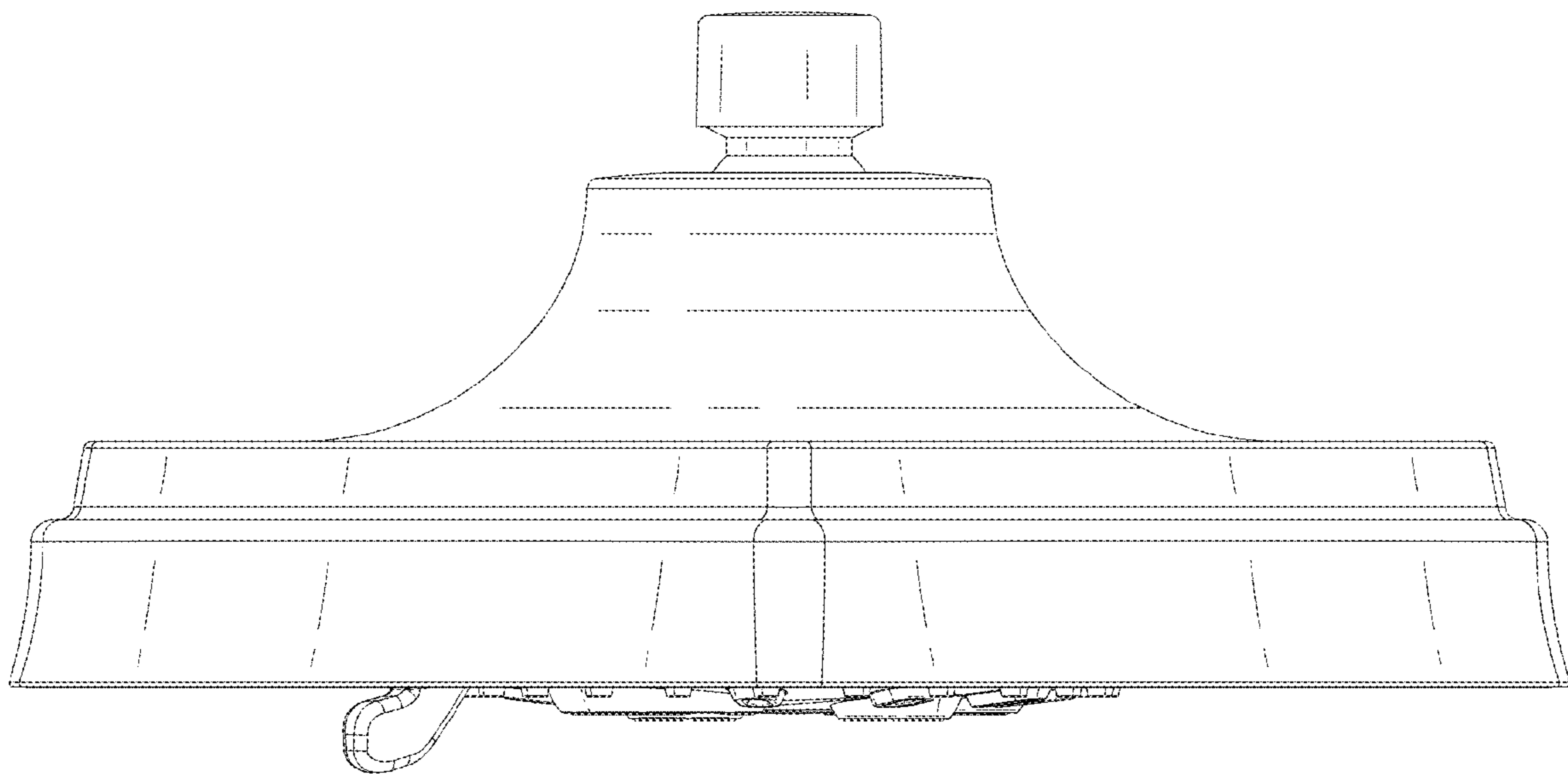


FIG. 2

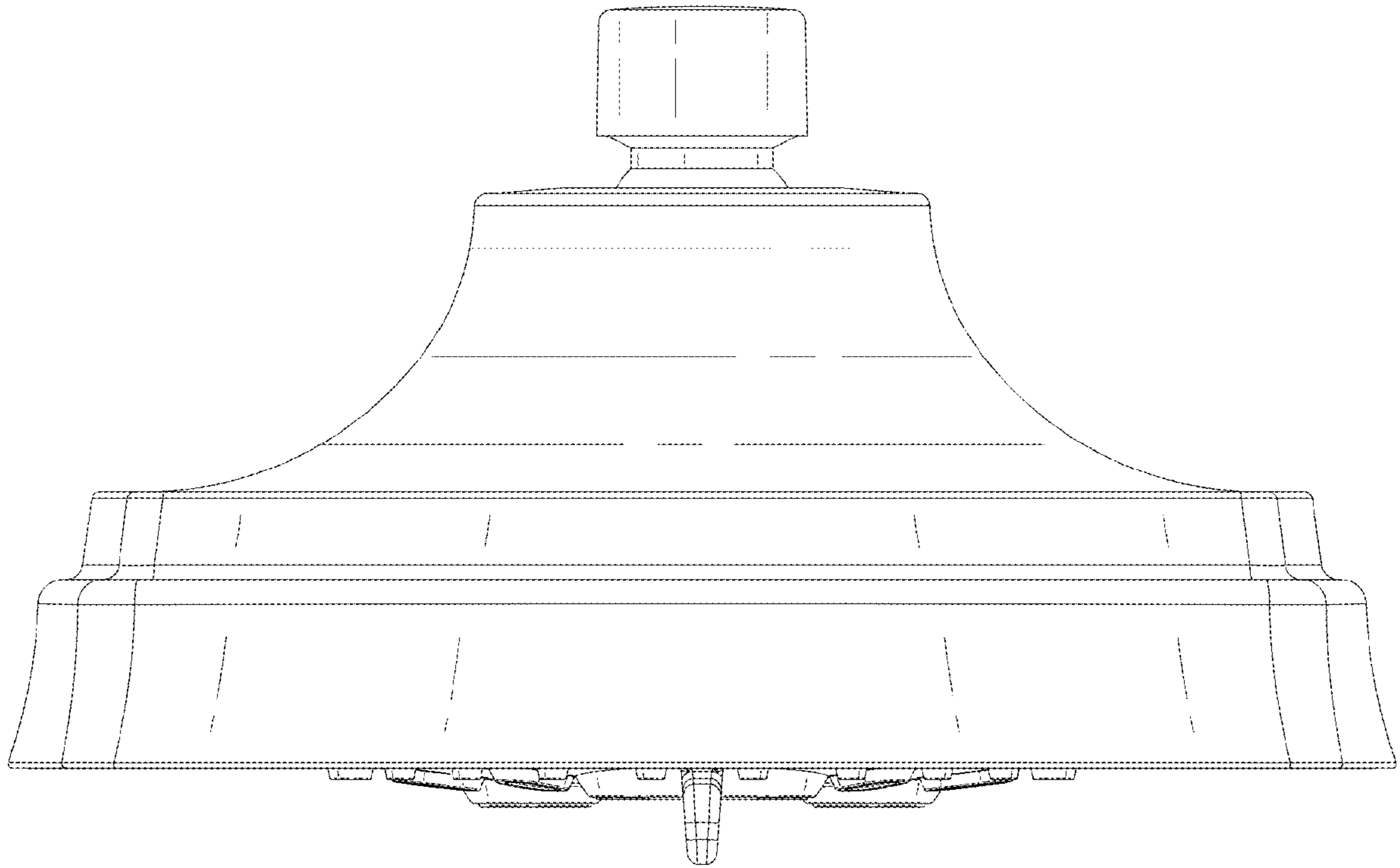


FIG. 3

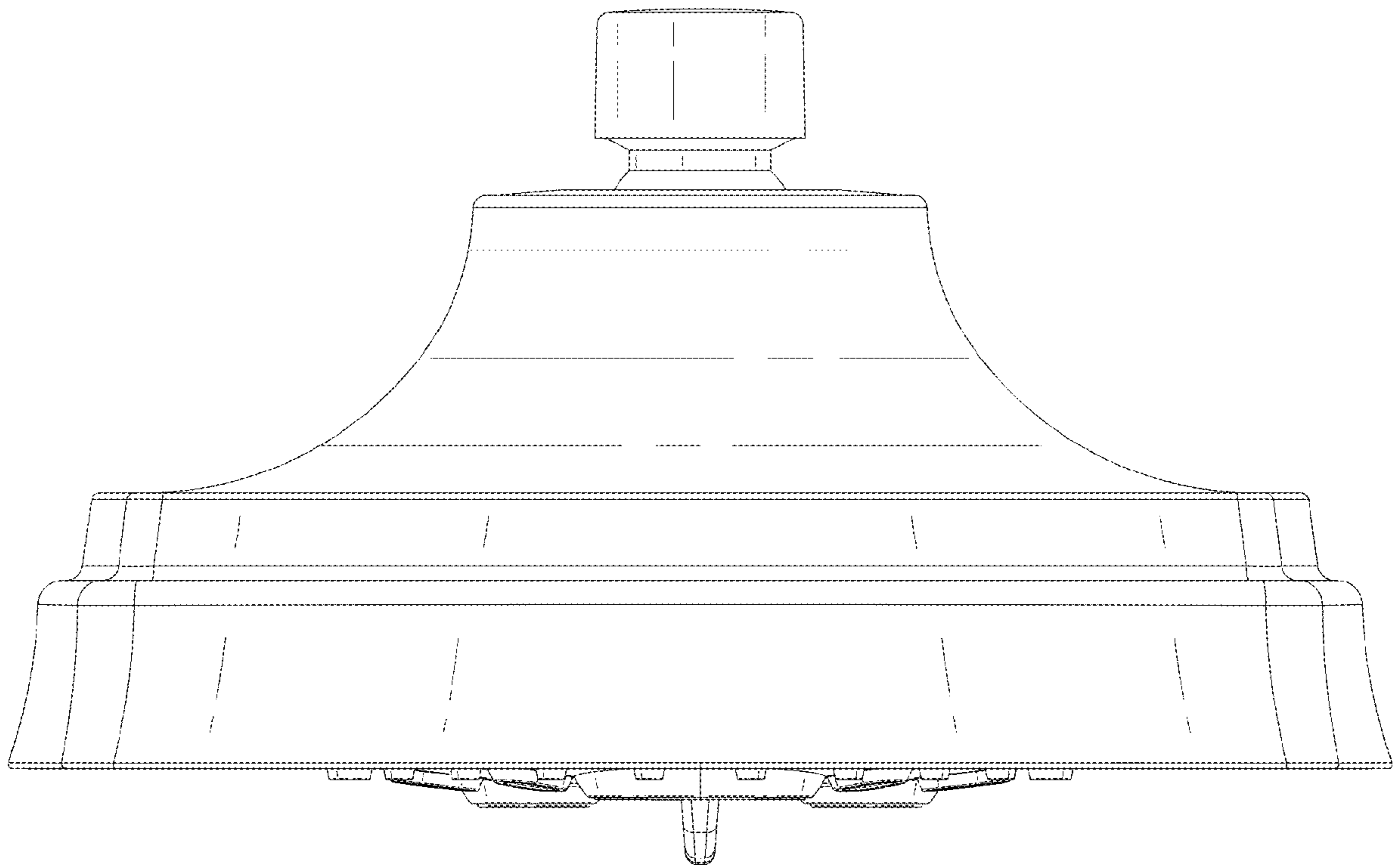


FIG. 4

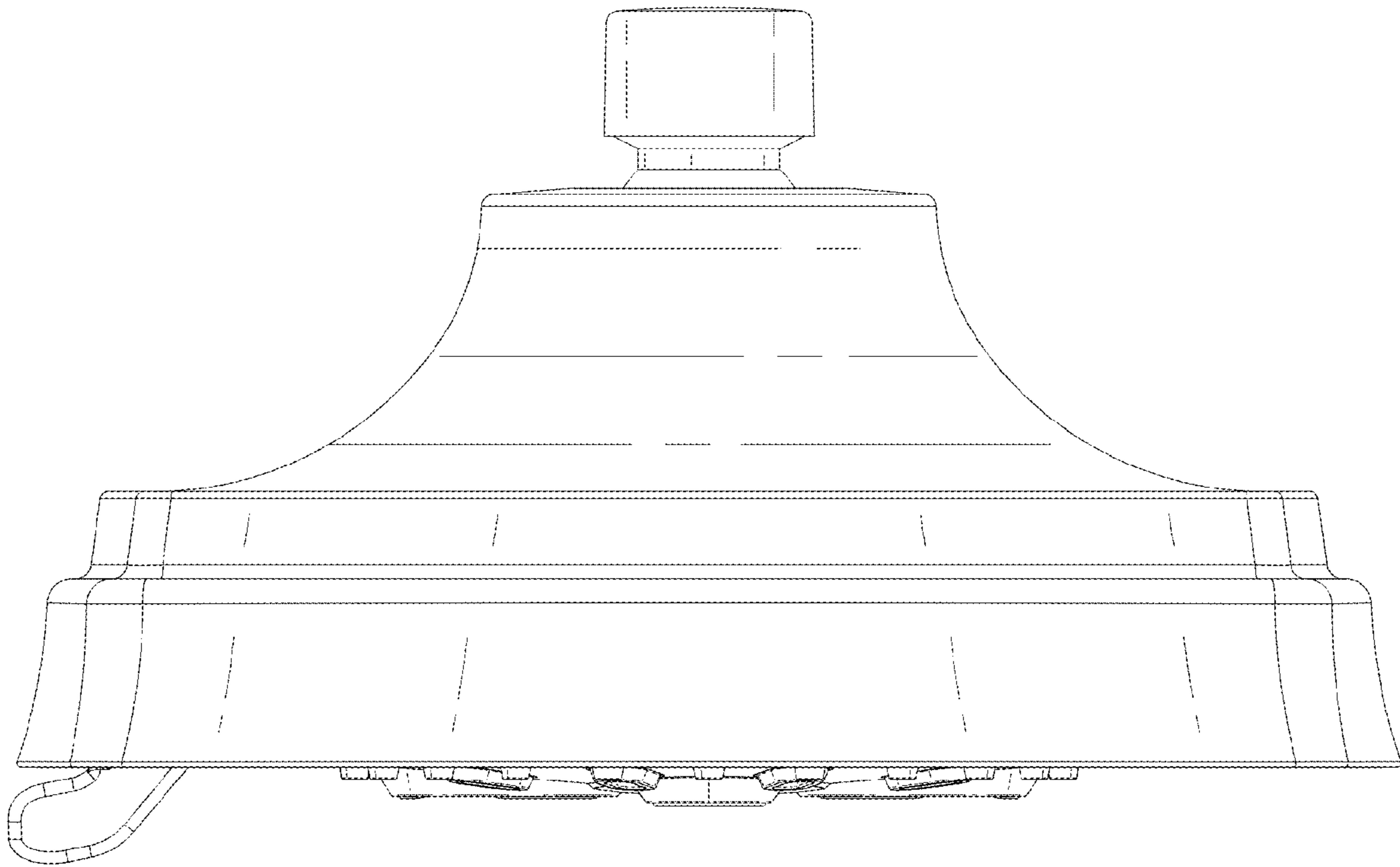


FIG. 5

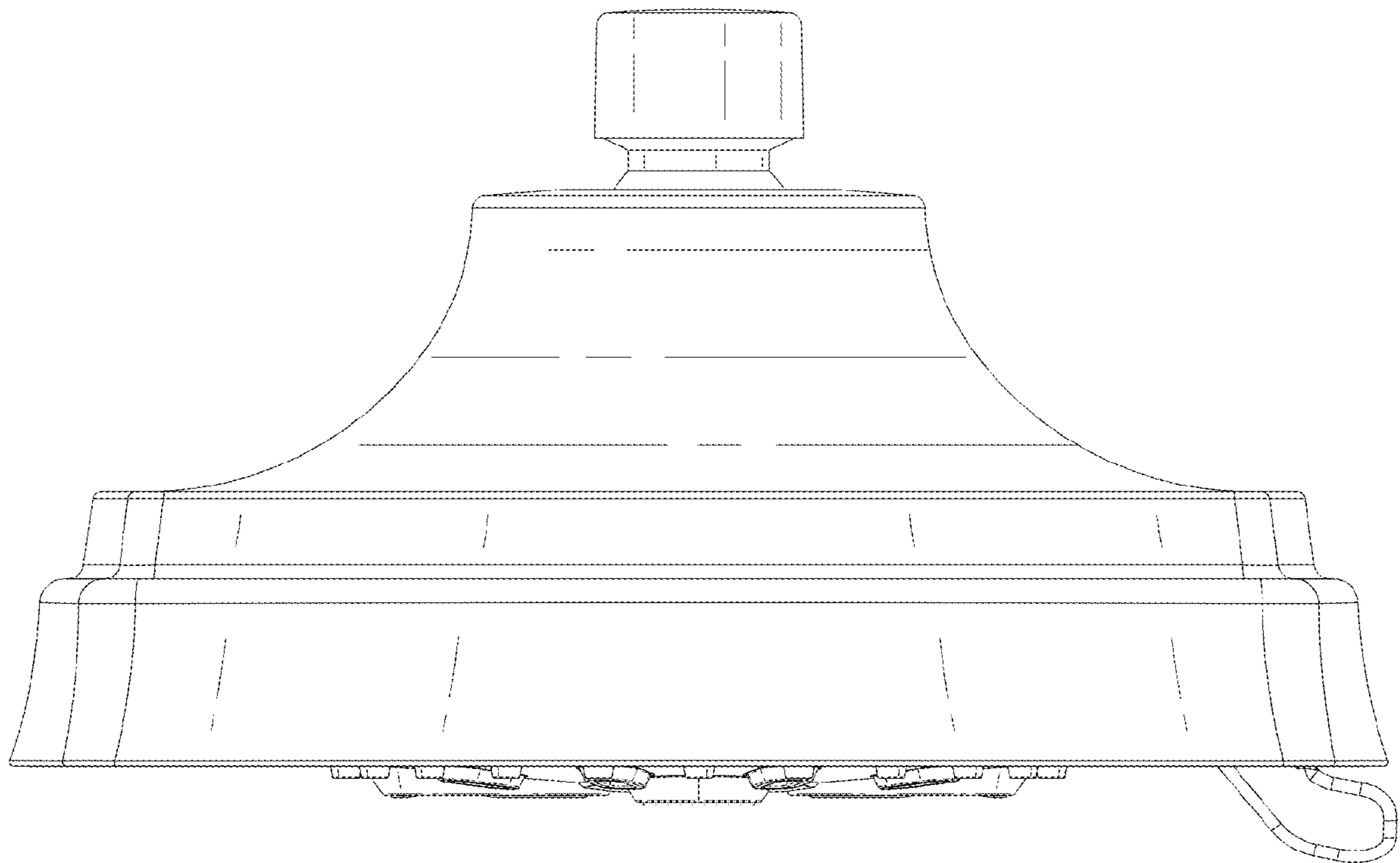


FIG. 6

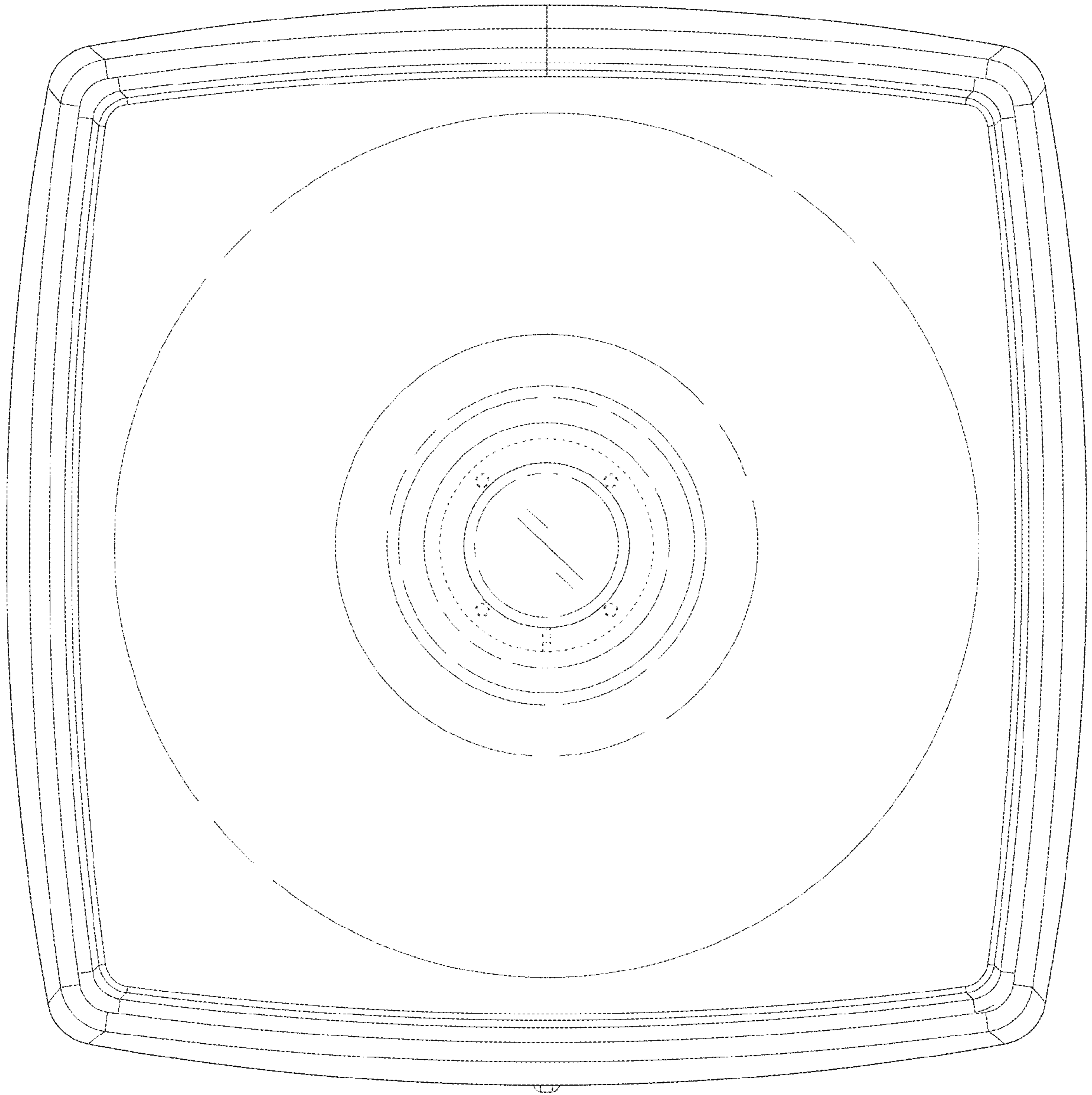


FIG. 7

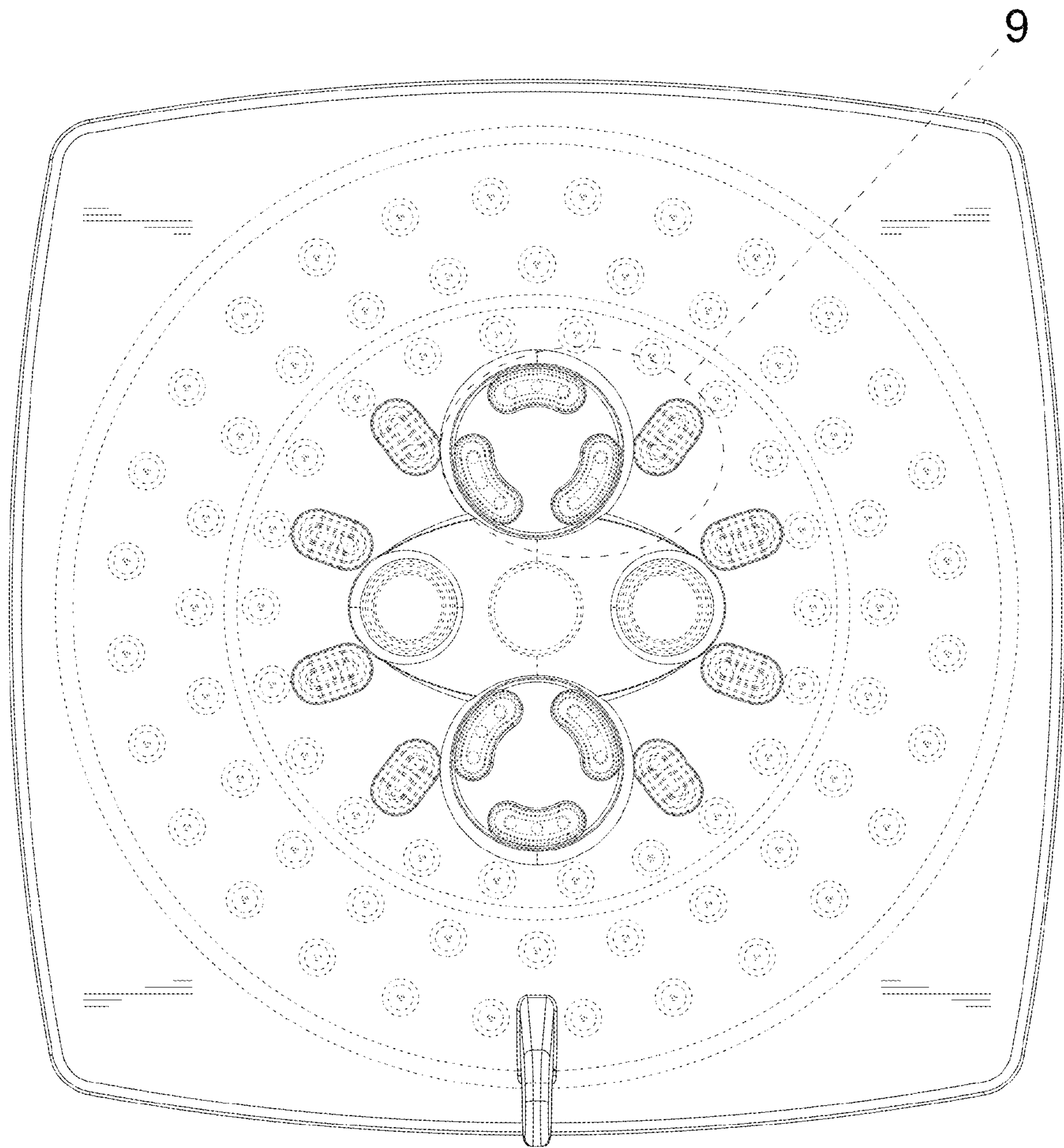


FIG. 8

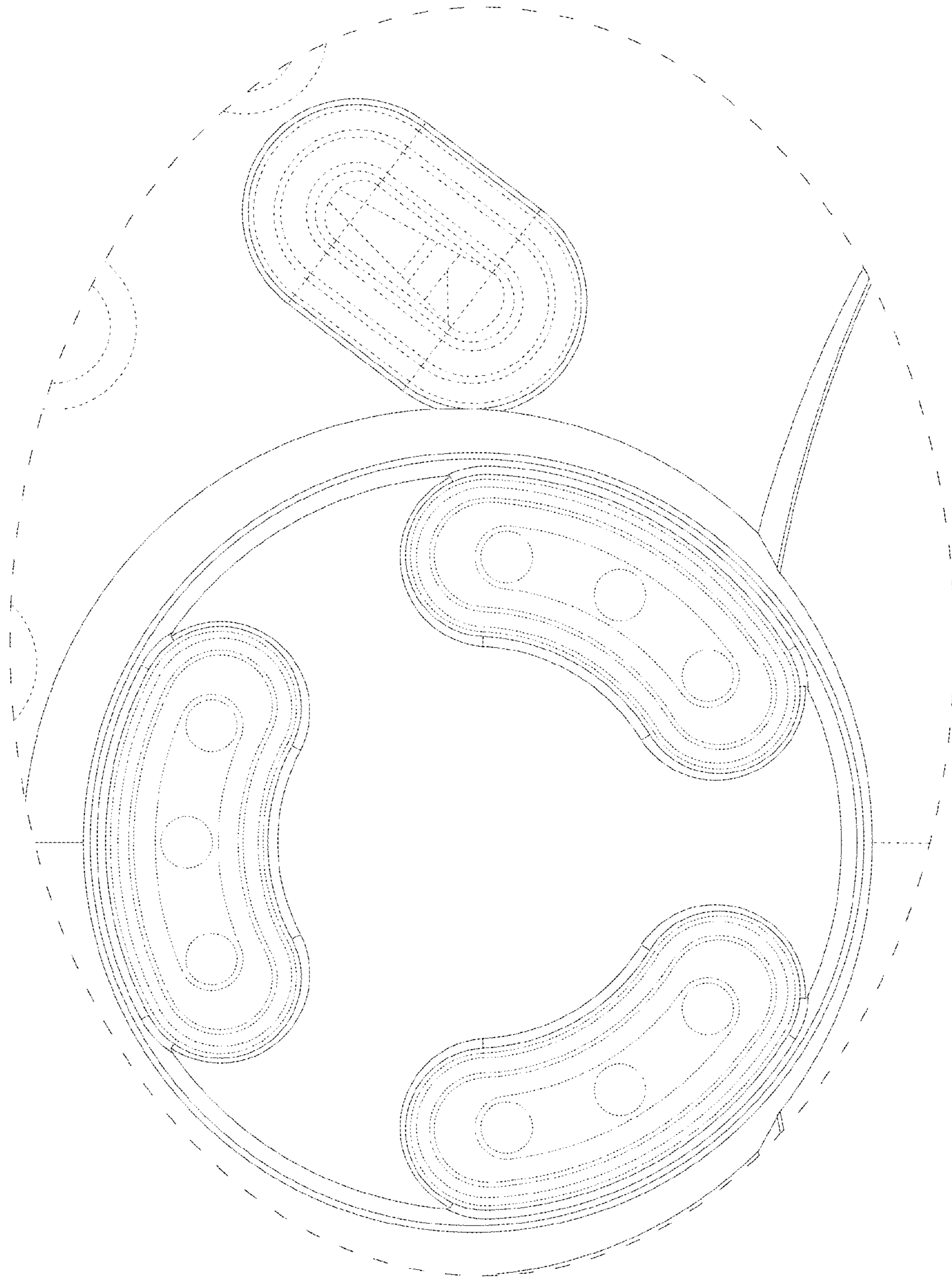


FIG. 9